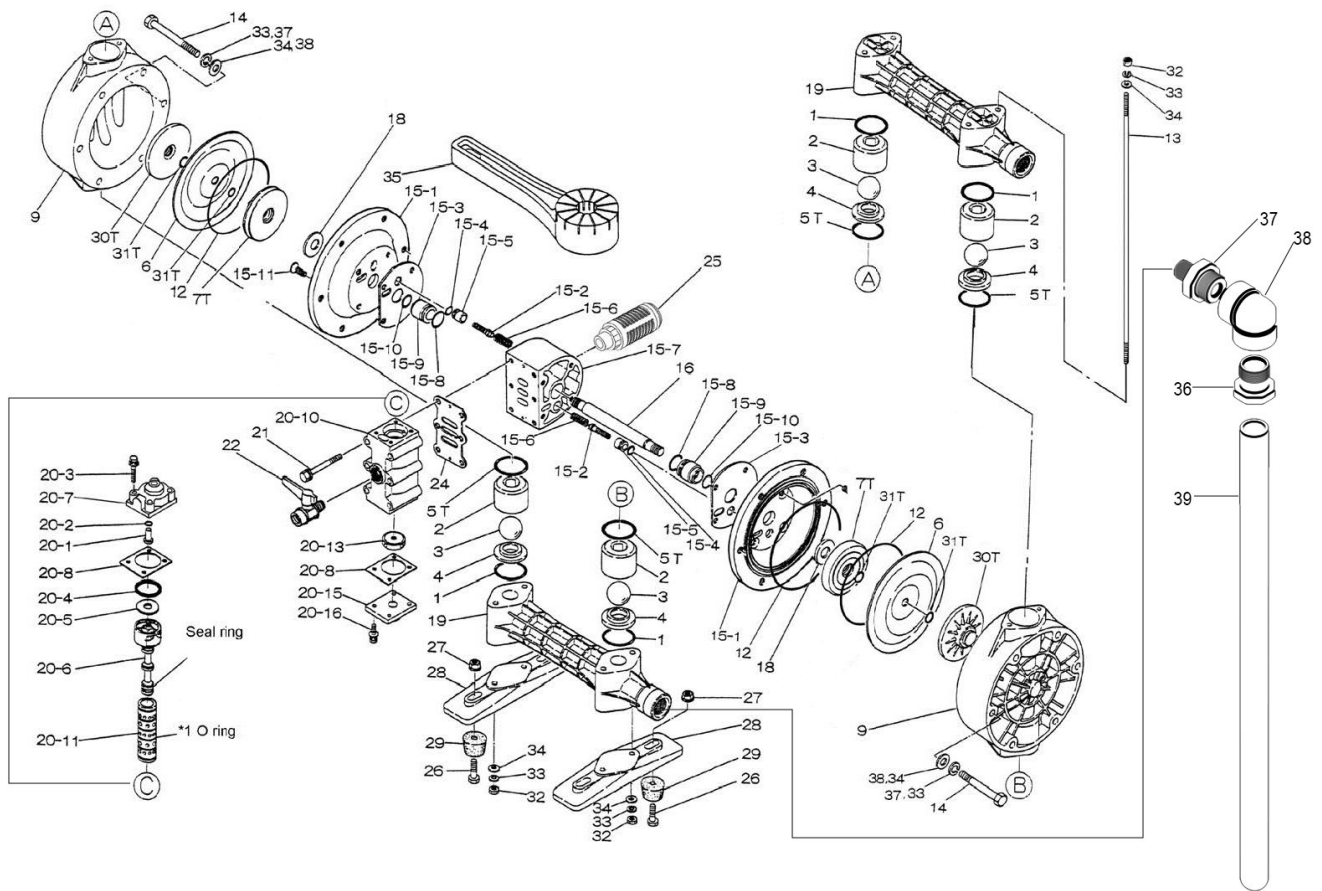


EXPLODED VIEW & PARTS LISTING

Model: NDP-20BPT-D
Polypropylene Drum Pump Series
(w/metal center body)



Air Operated Double Diaphragm Pump



Air Operated Double Diaphragm Pump

REF. NO.	PARTS NO.	DESCRIPTION	QTY.	REORDER
1	643033	O RING	8	
2	771216	BALL GUIDE	4	
3	770736	BALL	4	
4	780137	VALVE SEAT	4	
6	771083	DIAPHRAGM	2	
7T	709456	CENTER DISK	2	
9	780134	OUT CHAMBER	2	
12	640151	O RING	2	
13	710122	TIE ROD	4	
14	621163	BOLT	12	
15	804878	CENTER BODY ASSY.	1	
15-1	715938	AIR CHAMBER	2	
15-2	802360	PILOT VALVE ASSY.	2	
15-3	771057	GASKET	2	
15-4	640009	O RING	2	
15-5	771945	PILOT VALVE SEAT	2	
15-6	708666	SPRING	2	
15-7	711503	BODY	1	
15-8	685276	O RING	2	
15-9	772703	THROAT BEARING	2	
15-10	685414	V PACKING	2	
15-11	682486	BOLT	8	
16	710252	CENTER ROD	1	
18	771054	CUSHION	2	
19	780010	MANIFOLD	2	
20	802809	AIR VALVE ASSY.	1	
20-1	709161	RESET BUTTON	1	
20-2	640005	O RING	1	
20-3	682704	BOLT	4	
20-4	771241	PACKING	1	
20-5	715961	WASHER	1	
20-6	802400	C SPOOL ASSY.	1	
20-6-seal	771053	SEAL RING	5	
20-7	711219	CAP A	1	
20-8	771240	GASKET	2	
20-10	711640	VALVE BODY	1	
20-11	803931	SLEEVE ASSY.	1	
20-11-*1	771080	O RING	6	
20-13	771914	CUSHION	1	
20-15	711212	CAP B	1	
20-16	682262	BOLT	4	
21	682265	BOLT	6	
22	686968	BALL VALVE	1	
24	771056	GASKET	1	
25	804697	MUFFLER	1	
26	611151	BOLT	4	
27	682276	NUT W/FLANGE	4	
28	771219	BASE	2	
29	770551	FOOT RUBBER	4	
30T	780124	CENTER DISK (LIQUID SIDE)	2	
31T	643013	O RING	4	
32	683635	NUT	8	
33	681300	SPRING WASHER	20	
34	631329	FLAT WASHER	20	
35	771244	TOOL	2	
36	20P-BUNG	BUSHING	1	
37	20P-BUSH	NIPPLE	1	
38	20P-ELBO	ELBOW	1	
39	20P-PIPE	PIPE	1	
KIT	NDP-20PD	DRUM PUMP KIT		
KIT	K20-PT	LIQUID SIDE KIT		
KIT	K225-AM	AIR MOTOR KIT		

General Tools:

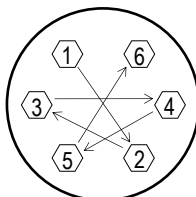
- Socket wrench - 10mm, 12mm, 13mm, 17mm, 22mm
- Hexagonal box wrenches - 5mm
- Open-end wrench - 13mm

Special Tools:

- Disk remover (771244) (included)
- Sleeve remover (713148) (sold separately)

Miscellaneous:

- Assembly Oil—turbine oil class 1 (equivalent to ISO VG32 grade)
- Nuts - M14x1.5
- Urea grease grade (NLGI) No. 2
- Lubricants equivalent to LOCTITE® Anti-Seize 767



Tightening Torques

- Center Rod 29 ft-lbf {40 N-m}
- Out Chamber 10 ft-lbf {13 N-m}
- Manifold Retainer Bolts 10 ft-lbf {13 N-m}
- Valve Body Bolts 5.5 ft-lbf {7.5 N-m}
- Cap A, Cap B 4.5 ft-lbf {6 N-m}

Customer Notes

Model #: _____
 Description: _____
 Serial #: _____
 Date Installed: _____
 Department Location: _____
 Tag/Project: _____