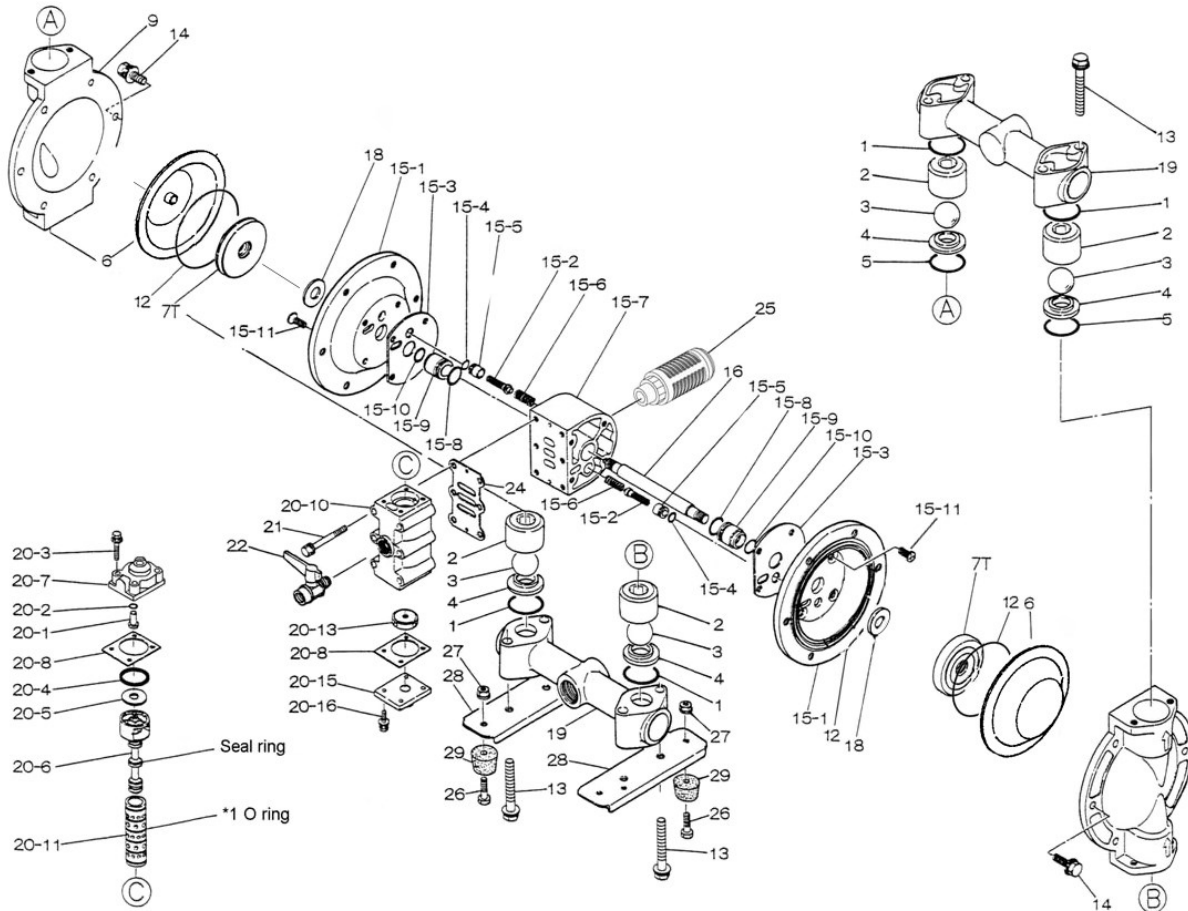


EXPLODED VIEW & PARTS LISTING

Model: NDP-25BSU  
Model# 855230



Air Operated Double Diaphragm Pump



Air Operated Double Diaphragm Pump

REF.NO.	PART NO.	DESCRIPTION	QTY	REORDER
1	643044	O-RING	4	
2	711703	BALL GUIDE 25SS/FC	4	
3	770691	BALL 25T	4	
4	711707	VALVE SEAT 25SS	4	
5	771130	O-RING	2	
6	832584	DIAPHRAGM	2	
7T	772620	CENTER DISK	2	
9	711694	OUT CHAMBER 25SS	2	
10	682263	NUT SS	2	
11	682730	CONED DISK SPRING	2	
12	640154	O RING	2	
13	621185	BOLT	8	
13	631937	WAVE WASHER	8	
14	621177	BOLT	12	
14	631937	WAVE WASHER	12	
15	804880	BODY ASSY.	1	
15- 1	715939	AIR CHAMBER	2	
15- 2	802360	PILOT VALVE ASSY.	2	
15- 3	771057	GASKET	2	
15- 4	640009	O-RING	2	
15- 5	771945	PILOT VALVE SEAT	2	
15- 6	708666	SPRING	2	
15- 7	709812	BODY	1	
15- 8	685276	O-RING	2	
15- 9	772703	THROAT BEARING	2	
15-10	685414	V-PACKING	2	
15-11	682486	BOLT FLAT HD W/WASHER	8	
16	714812	CENTER ROD	1	
18	771054	CUSHION	2	
19	831271	MANIFOLD 25SS	2	
20	802362	VALVE ASSY	1	
20- 1	709161	RESET BUTTON	1	
20- 2	640005	O-RING	1	
20- 3	682704	BOLT M6 FT ZINC W/WASH	4	
20- 4	771241	PACKING	1	
20- 5	715961	WASHER	1	
20- 6	802400	C SPOOL ASSY.	1	
20-6-seal	771053	SEAL RING	5	
20- 7	710221	CAP A METAL	1	
20- 8	771240	GASKET 20/25	2	
20-10	711639	VALVE BODY METAL	1	
20-11	803931	SLEEVE ASSY.	1	
20-11-*1	771080	O-RING	6	
20-13	771914	CUSHION	1	
20-15	709305	CAP B METAL	1	
20-16	682262	BOLT ZINC W/WASH	4	
21	682265	BOLT ZINC W/WASH	6	
22	686970	BALL VALVE	1	
24	771056	GASKET	1	
25	804697	MUFFLER	1	
26	611148	BOLT	4	
27	682276	NUT W/ FLANGE	4	
28	709156	BASE METAL	2	
29	770551	FOOT RUBBER	4	
KIT	K25-MT-1	LIQUID END KIT		
KIT	K225-AM	AIR MOTOR KIT		

General Tools:

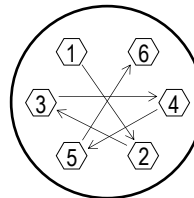
- Socket wrenches - 10mm, 12mm, 13mm, 17mm, 22mm
- Hexagonal box wrench - 5mm
- Open-end wrenches - 22mm

Special Tools:

- Sleeve remover (713148) (sold separately).

Miscellaneous:

- Assembly Oil - turbine oil none additional class 1 (equivalent to ISO VG32 grade)
- Nuts - M14 x 1.5
- Urea grease grade (NLGI) No. 2
- Lubricants - equivalent to Loctite Anti-Seize 767



Tightening torque for out chambers.

- Out Chambers 15 ft-lbf {20 N-m}
- Center Rod 29 ft-lbf {40 N-m}

Tightening torque for manifold bolts.

- 25BSU 28 ft-lbf {35 N-m}

Customer Notes

Model #: \_\_\_\_\_  
 Description: \_\_\_\_\_  
 Serial #: \_\_\_\_\_  
 Date Installed: \_\_\_\_\_  
 Department Location: \_\_\_\_\_  
 Tag/Project: \_\_\_\_\_