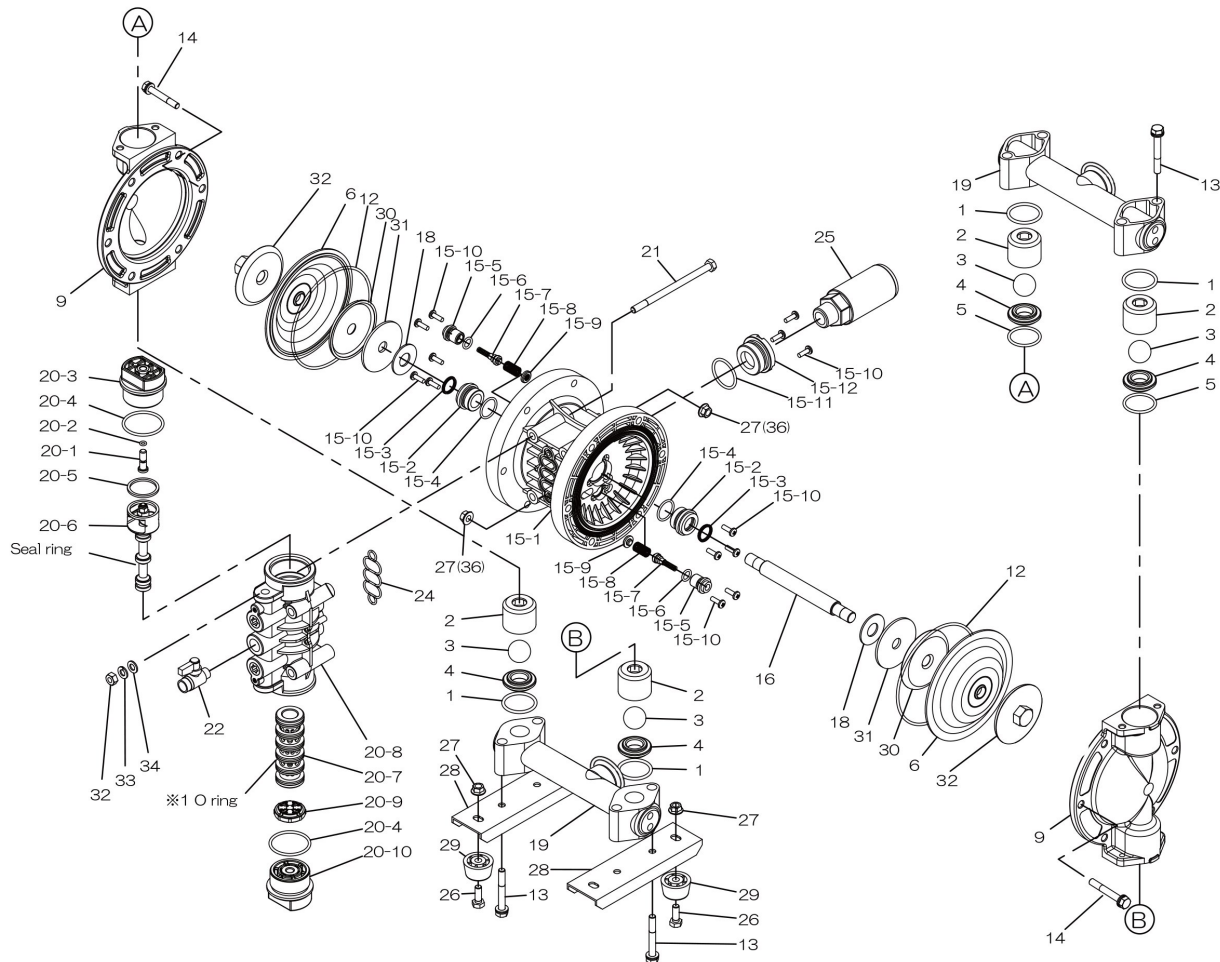


EXPLODED VIEW & PARTS LISTING

Model: NDP-20BSE-FDA
Part#: 851521-FDA

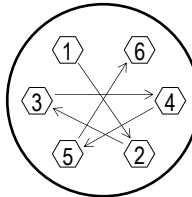


Air Operated Double Diaphragm Pump



Air Operated Double Diaphragm Pump

REF. NO.	PART NO.	DESCRIPTION	QTY.	REORDER
1	643036	O-RING	4	
2	711701-EP	BALL GUIDE	4	
3	770736	BALL	4	
4	590086-EP	VALVE SEAT	4	
5	771131	O-RING	2	
6	771256-FDA	DIAPHRAGM	2	
9	711693-EP	OUT CHAMBER	2	
12	640151	O-RING	2	
13	621159	BOLT	8	
13a	631936	WAVE WASHER	8	
14	621156	BOLT	12	
14a	631937	WAVE WASHER	12	
15	804603	BODY ASSEMBLY	1	
15-1	772928	BODY	1	
15-2	772931	THROAT BEARING	2	
15-3	685414	PACKING	2	
15-4	685276	O-RING	2	
15-5	711705-EP	VALVE SEAT	4	
15-6	640009	O-RING	2	
15-7	802360	PILOT VALVE ASSEMBLY	2	
15-8	708666	SPRING	2	
15-9	772948	SPRING SEAT	2	
15-10	686030	TAPPING SCREW	13	
15-11	640132	O-RING	1	
15-12	772933	BUSHING	1	
16	710252	CENTER ROD	1	
18	771054	CUSHION	2	
19	831270-TC-EP	MANIFOLD	2	
20	804608	VALVE BODY ASSEMBLY	1	
20-1	772991	RESET BUTTON	1	
20-2	640002	O-RING	1	
20-3	772946	CAP A	1	
20-4	640043	O-RING	2	
20-5	771241	PACKING	1	
20-6	802400	C SPOOL VALVE ASSY.	1	
20-6 seal	771053	SEAL RING	5	
20-7	804609	SLEEVE ASSEMBLY	1	
20-7-*1	686029	O-RING	6	
20-8	832903	VALVE BODY ASSEMBLY	1	
20-9	771914	CUSHION	1	
20-10	772947	CAP B	1	
21	686031	BOLT	4	
22	686968	BALL VALVE	1	
24	772848	GASKET	1	
25	804697	SILENCER	1	
26	611148	BOLT	4	
27	682276	NUT W/FLANGE	4	
28	709157-XP	PUMP BASE	2	
29	770551	CUSHION	4	
30	709153	CENTER DISK	2	
31	709152	PLAIN WASHER	2	
32	709153-EP	OUT CENTER DISK	2	
KIT	K20-ME-1-FDA	LIQUID SIDE		
KIT	K225-AP	AIR SIDE KIT		



Tightening torque for center rod and out chambers.

Center Rod 29 ft-lbf {40 N-m}
Out Chambers 8 ft-lbf {10 N-m}

Tightening torque for manifold retainer bolts.
BSE-FDA 8 ft-lbf {10 N-m}

General Tools:

- Socket wrenches - 10mm, 12mm, 13mm, 17mm, 22mm
- Hexagonal box wrench - 5mm
- Open-end wrenches - 22mm

Miscellaneous:

- Assembly Oil - turbine oil none additional class 1 (equivalent to ISO VG32 grade)
- Nuts - M14 x 1.5
- Urea grease grade (NLGI) No. 2
- Lubricants equivalent to Loctite Anti-Seize 767

Customer Notes

Model #: _____
 Description: _____
 Serial #: _____
 Date Installed: _____
 Department Location: _____
 Tag/Project: _____