

# **BALDOR**® • ***RELIANCE***

## **Product Information Packet**

# **BTG1000**

**-HP,-RPM,DC,2318P,TENV,AP**

Part Detail							
Revision:	AG	Status:	PRD/A	Change #:		Proprietary:	No
Type:	DC	Prod. Type:		Elec. Spec:	23WGZ156	CD Diagram:	CD1918
Enclosure:	TENV	Mfg Plant:		Mech. Spec:		Layout:	23A368Z156
Frame:		Mounting:		Poles:	///	Created Date:	
Base:		Rotation:		Insulation:	F	Eff. Date:	02-20-2012
Field Type:		Literature:		Elec. Diagram:		Replaced By:	

## Nameplate NP1220A38

CAT.NO.	BTG1000	
SER.NO.		
SPEC.	23A368Z156	
TYPE	2318P	
VOLTS/1000RPM	50	
CLASS	F	
BRUSHES	2/BP5060BD02	

Parts List		
Part Number	Description	Quantity
SA096411	SA 23A368Z156	1.000 EA
AA008895	AA 23A368Z156	1.000 EA
LC0899A13	CONNECTION LABEL, TACH CW ROTATION	1.000 EA
BP5060BD02SP	CARBON BRUSH-1/8X3/16-CARBONE # BAL-22	1.000 EA
MJ5005A02	DYNA-WEIGHT COMPOUND BAL-1-FS,16#/KIT,	0.010 LB
23EP3101A05L	ENDPLATE, 23 FRAME MACHINE	1.000 EA
HW5002A45	RETAINING RING,WALDES TRUARC N5002-118	1.000 EA
BFL1204-001	F-1 FLANGE 4.600" O.D.	1.000 EA
BMH1530	SCREW,FLAT 10-32 X 3/8"	4.000 EA
23SH4000C13	SH,ARM MTR 23 18 .312 X 1.25	1.000 EA
NP1220A38	NP,DC STD AD NONE V TACH	1.000 EA
MA5002A08L	BASE,EXR 23 0.494A 1.250B 0.250C 1.250D	1.000 EA
51XN1032A07	10-32 X 0.438 HX WS SL SR ZN	2.000 EA
23EP2105A18L	EP,23 ODE DC CB MTG W/BRUSH VIEW HOLE	1.000 EA
HW5109A06	WASHER, WAVE SPRING FOR 22MM BORE SMALLE	1.000 EA
BP4517	BRUSH TUBE ASM,	2.000 EA
80XN1032A04	10-32 X 1/4 SET SCREW	2.000 EA
BP4515SP	BRUSH CAP	1.000 EA
BWI1766-065	WIRE ASM,2 LEAD RED\BLK 18AWG	1.000 EA
33CB3001L	BOX, CAST W/BLACK EPOXY POWDER	1.000 EA
33GS1006	GASKET CONDUIT BOX (LEXIDE)	1.000 EA
15XM0832A06	SCREW, 8-32X .375, THREAD FORMING	4.000 EA
34CB4500L	CONDUIT BOX LID W/BLACK EPOXY POWDER	1.000 EA
34GS1001	GASKET, STD CONDUIT BOX LID (LEXIDE)	1.000 EA

<b>Parts List (continued)</b>		
<b>Part Number</b>	<b>Description</b>	<b>Quantity</b>
51XN0832A08	08-32 #10 & SMALLER HEX WASHER HEAD, SL	4.000 EA
BMH1985	HOLE PLUG, DP-562/HEY#2653	1.000 EA
BEH4309	WIRE MOUNT, DENNISON#08458	1.000 EA
HA3170A20	THRUBOLT, FLAT HD. #8-32 THDS X 5.100 LO	2.000 EA
CPA1000	PACKING GROUP STD. SINGLE	1.000 EA
LB1171	LABEL CARTON 6X6 ON LINE BLANK	1.000 EA

**DC Motor Performance Data**

Record # 785 - Typical performance - not guaranteed values

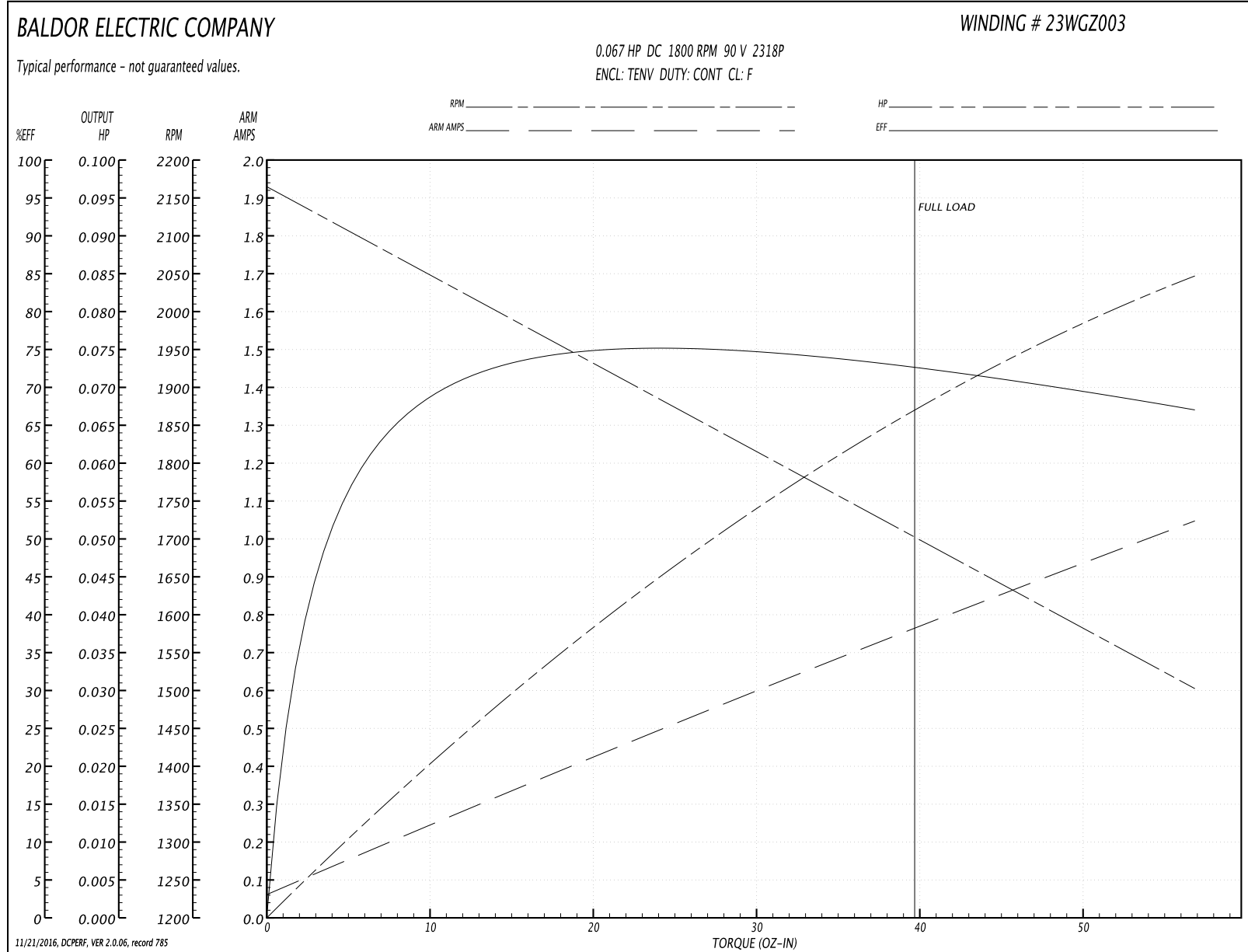
<b>Winding:</b> 23WGZ003-R001	<b>Type:</b> 2318P	<b>Enclosure:</b> TENV
-------------------------------	--------------------	------------------------

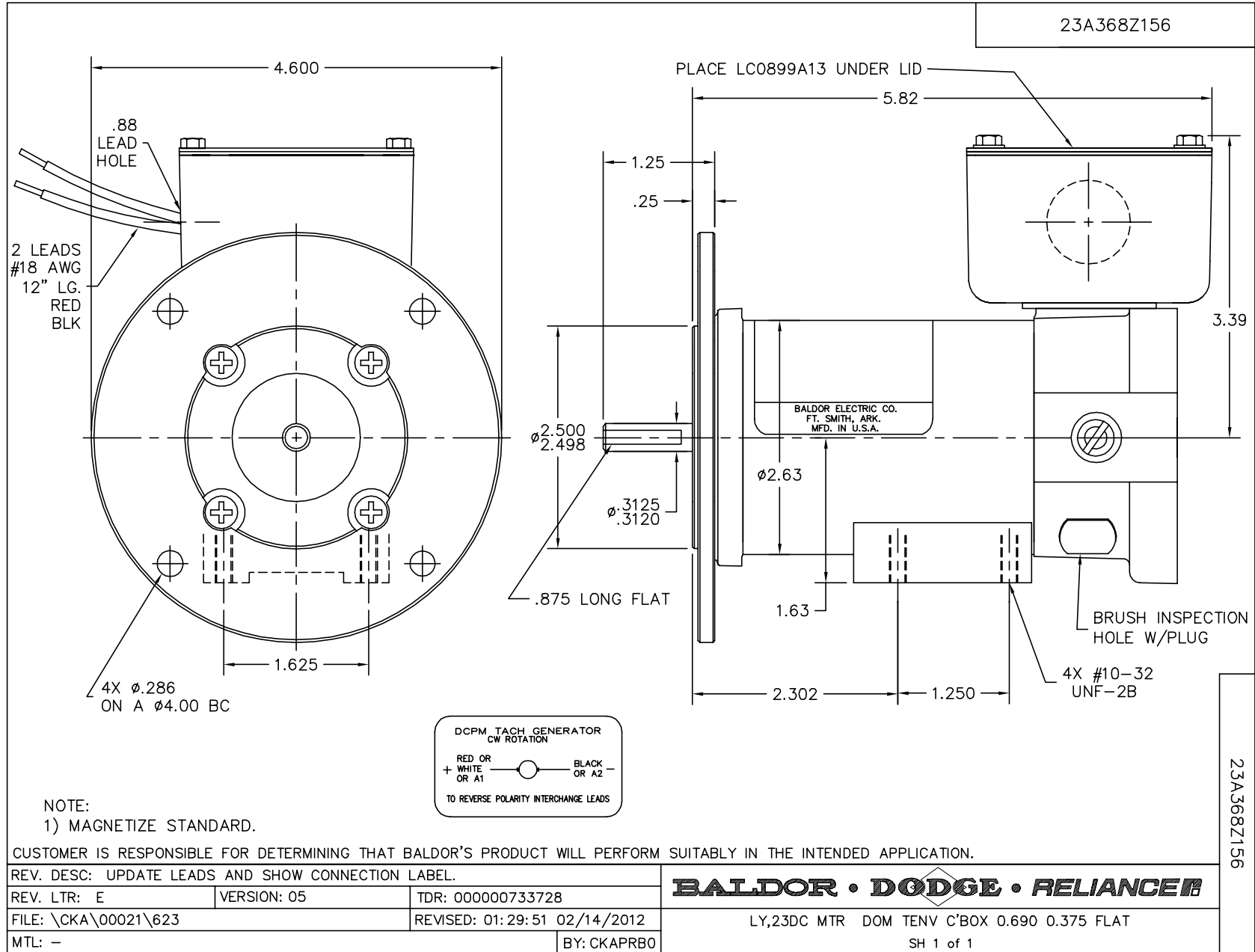
Nameplate Data		General Characteristics	
Rated Output (HP)	0.067	Armature Resistance @ 25°C	20.594 Ω
R.P.M.	1800		
Armature Volts	90		
Armature Amps	0.78		
Field Volts			
Field Amps		Armature Inertia	4.235 OI <sup>2</sup>
Rating - Duty	40C AMB-CONT		
Form Factor	1.4		

Load Characteristics at 90 Armature Volts

Load Point	1	2	3	4	5	6	7
Armature Amps	0.05	0.25	0.41	0.58	0.72	0.88	1.06
R.P.M.	2192	2037	1929	1818	1732	1624	1503
Torque ( OZ-IN )	0	9.48	18.95	28.43	37.9	47.38	56.85

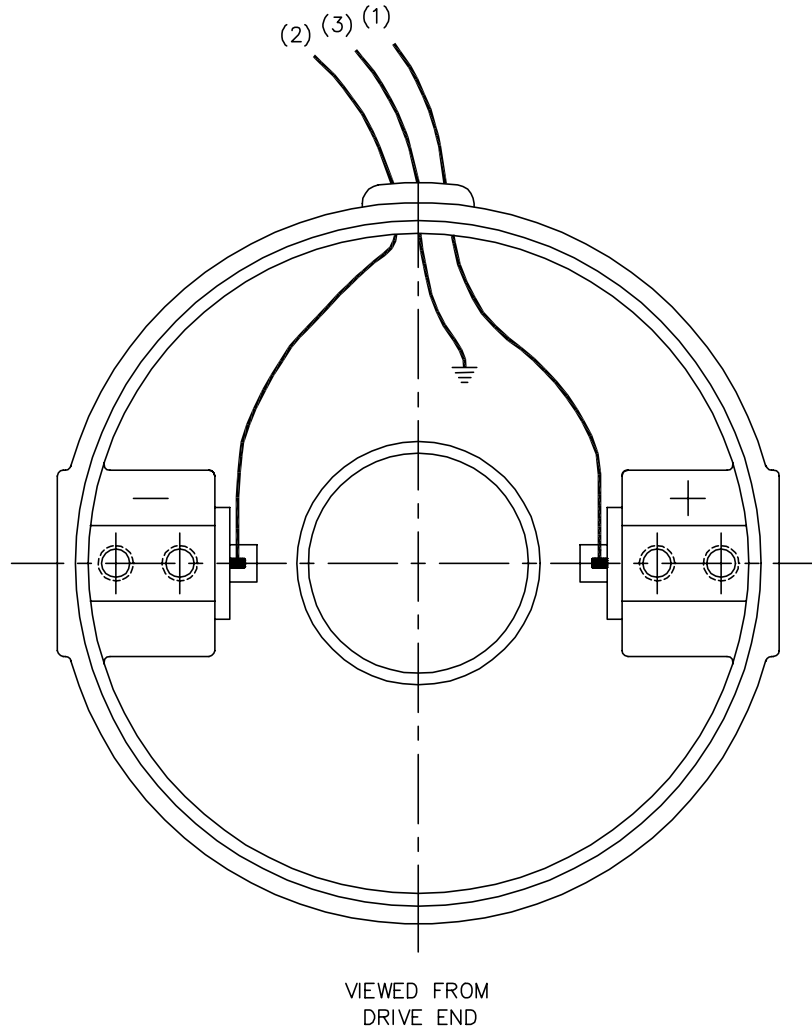
Performance Graph at 90.0 Arm V, 0.067HP Typical performance - Not guaranteed values







CD1918



(1) COLOR MAY BE  
RED  
WHT  
BLU

(2) COLOR MAY BE  
BLK  
BRN

(3) COLOR WHEN REQ.  
GRN  
GRN/YEL

REV. DESC: NEW		VERSION: 00		TDR: 000000353283	
REV. LTR: -		FILE: \CKA\00026\698		REVISED: 05:52:44 01/21/2005	
816100		MTL: -		BY: CKPHIWO	

**BALDOR ELECTRIC Co.**

PM,2LD,REV,TANG,CK

CD1918