

# **BALDOR**® • *RELIANCE*

## Product Information Packet

# **CEBM3710T-D**

**7.5HP, 1770RPM, 3PH, 60HZ, 213TC, 3738M, TEFC**

Part Detail							
Revision:	A	Status:	PRD/A	Change #:		Proprietary:	No
Type:	AC	Prod. Type:	3738M	Elec. Spec:	37WGR872	CD Diagram:	CD0005
Enclosure:	TEFC	Mfg Plant:		Mech. Spec:	37M907	Layout:	37LYM907
Frame:	213TC	Mounting:	F1	Poles:	04	Created Date:	12-03-2015
Base:	RG	Rotation:	R	Insulation:	F	Eff. Date:	04-08-2016
Leads:	9#14					Replaced By:	
Literature:		Elec. Diagram:					

Nameplate NP1259L										
CAT.NO.	CEBM3710T-D									
SPEC.	37M907R872G1									
HP	7.5									
VOLTS	230/460									
AMP	19/9.5									
RPM	1770									
FRAME	213TC				HZ	60			PH	3
SER.F.	1.15		CODE	J	DES	A		CL	F	
NEMA-NOM-EFF	91.7		PF	80						
RATING	40C AMB-CONT									
CC	010A				USABLE AT 208V			20		
DE	6307				ODE	6206				
ENCL	TEFC		SN							

Parts List		
Part Number	Description	Quantity
SA311314	SA 37M907R872G1	1.000 EA
RA298737	RA 37M907R872G1	1.000 EA
37FN3002C01	EXFN, PLASTIC, 6.00 OD, 1.155 ID	1.000 EA
HW3200A01	3/8-16X3/4 I-BLT WELDED F/S	1.000 EA
37CB3006A12	37 CB 1.38 DIA @ 6:00, .88 DIA @ 12:00	1.000 EA
37GS1000	GASKET, CONDUIT BOX STD., .06 THICK LEXI	1.000 EA
51XW2520A12	.25-20 X .75, TAPTITE II, HEX WSHR SLTD	2.000 EA
WD4500A77	CORD CONN, .50 NPT,	1.000 EA
11XW1032G06	10-32 X .38, TAPTITE II, HEX WSHR SLTD U	1.000 EA
07EP1901A07	FREP FOR 07FH1002A09 ASS'Y	1.000 EA
HW4500A01	1641B(ALEMITE)400 UNIV, GREASE FITT	1.000 EA
HW5100A06	W2420-025 WVY WSHR (WB)	1.000 EA
37PE3300A01	PUEP ASSEMBLY FOR ROUTING	1.000 EA
HW4500A01	1641B(ALEMITE)400 UNIV, GREASE FITT	1.000 EA
10XN2520A30	HEX HD CAP SCREW-STD THD-.25 X 20 THD PE	4.000 EA
HW1001A25	LOCKWASHER 1/4, ZINC PLT .493 OD, .255 I	4.000 EA
XY3118A12	5/16-18 HEX NUT DIRECTIONAL SERRATION	4.000 EA
BR2004E01	BRK HUB,1.12 DIA JRNL W/.25 KEY (032416)	1.000 EA
10XN3816K64	3/8-16X4 HX HD CAP SCREW, GRADE 5	4.000 EA
HW1001A38	LOCKWASHER 3/8, ZINC PLT .688 OD, .382 I	4.000 EA
WD4500A77	CORD CONN, .50 NPT,	1.000 EA
WD4108B06	T&B RB 121, 3/4 X 1/2 REDUCING BUSHING	1.000 EA
WD4608A01	.50 FLEX CONDUIT LIQ-TITE (VINYL ONLY)	0.833 FT
WD4006A01	WIRE JOINT,T&B RB-4 OR RB-44	1.000 EA

Parts List (continued)		
Part Number	Description	Quantity
HA6A33A01	ADAPTER 182-4T FOR D-SERIES BRK (024448)	1.000 EA
84XN5013J16	1/2-13 X 1 HEX SOC HD, GRADE 8	4.000 EA
51XB1214A20	12-14X1.25 HXWSSLD SERTYB	1.000 EA
07FH1002A09	FAN COVER, MACH FOR 07EP1901A07	1.000 EA
WD4100A02	DP-1000 HEYCO PLUG OR 62MP1000 MICRO PL	1.000 EA
10XN3118A52	5/16-18 X 3-1/4 HEX HEAD CAP SCR,GR.5,Z/	4.000 EA
HW1001A31	LOCKWASHER 5/16, ZINC PLT.591 OD, .319 I	4.000 EA
HA1103A13	#4 X 4 SCREEN FOR FAN CVR 07FH1002 (MR21	1.000 EA
13XT0832A07	8-32X7/16 TYP 23 PAN HD SLT DX	4.000 EA
37CB4516	LIPPED LID FOR 37 FRAME NEC KOBX	1.000 EA
37GS1008SP	37 GS FOR CB LID - LEXIDE	1.000 EA
51XW0832A07	8-32 X .44, TAPTITE II, HEX WSHR SLTD SE	4.000 EA
HW2501F21	KEY, 5/16 SQ X 2.375	1.000 EA
HA7000A02	KEY RETAINER RING, 1 1/8 DIA, 1 3/8 DIA	1.000 EA
85XU0407S04	4X1/4 U DRIVE PIN STAINLESS	2.000 EA
LB1115N	LABEL,LIFTING DEVICE (ON ROLLS)	1.000 EA
LB1419	CONNECTION LABEL	1.000 EA
MJ1000A02	GREASE, POLYREX EM EXXON (USe 4824-15A)	0.050 LB
MG1000N49	MUNSELL 8.5BG 3.57/2.0, GLOSS 30, B/G,	0.028 GA
HA3104A17	5/16-18X13.250 T-BLT/OHIO	4.000 EA
46BK0600B01	DBSC-V-25-MA-230/460 VAC	1.000 EA
LC0005E01	CONN.DIA./WARNING LABEL (LC0005/LB1119N)	1.000 EA
NP1259L	ALUM SUPER-E UL CSA-EEV CC NEMA PREMIUM	1.000 EA
37PA1039	PALLET PACK GROUP, BLANK PK1148	1.000 EA

MN416A01	TAG-INSTAL-MAINT no wire (1200/bx) 11/14	1.000 EA
----------	--	----------

**AC Induction Motor Performance Data**

Record # 54275 - Typical performance - not guaranteed values

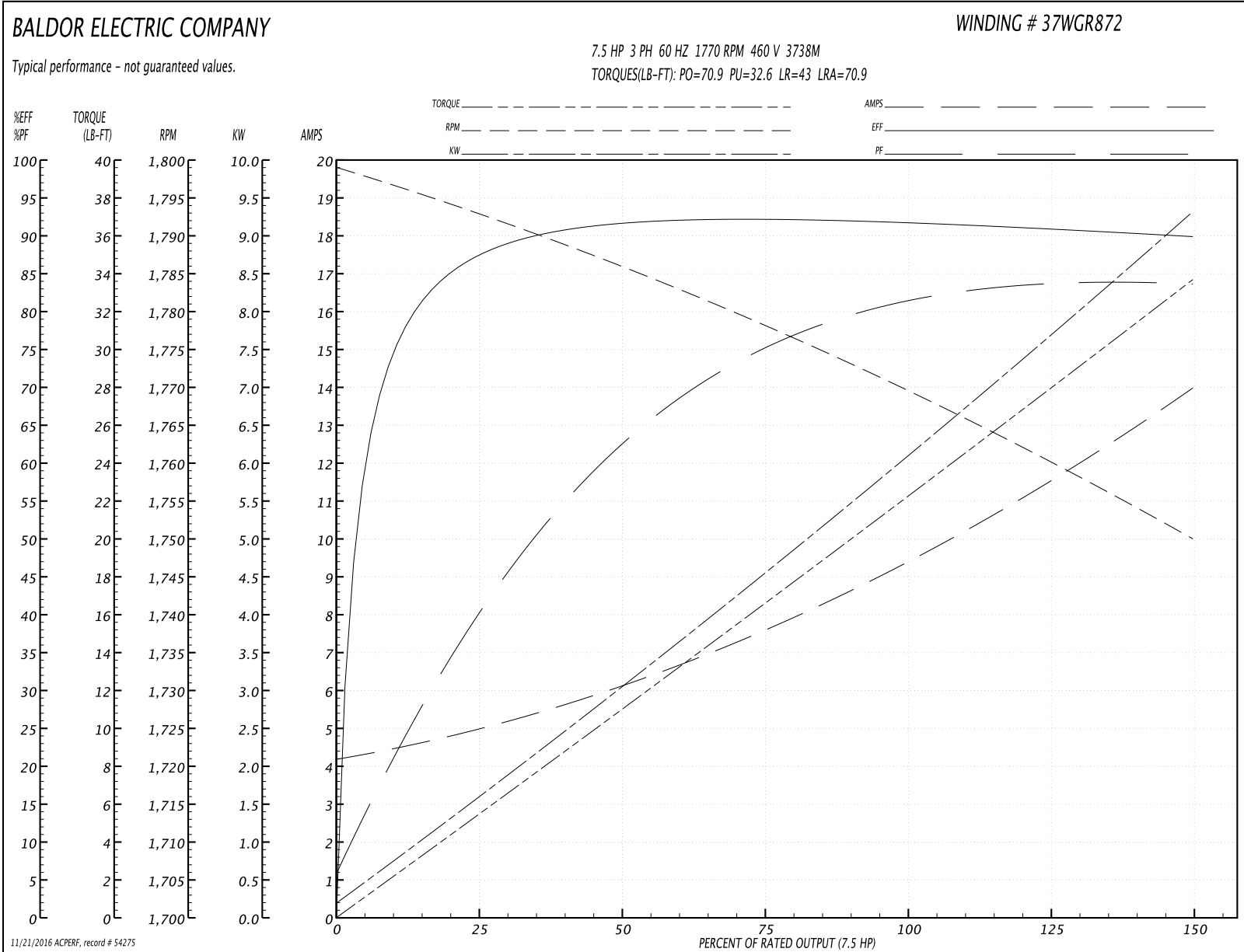
<b>Winding:</b> 37WGR872-R001	<b>Type:</b> 3738M	<b>Enclosure:</b> TEFC
-------------------------------	--------------------	------------------------

Nameplate Data				460 V, 60 Hz: High Voltage Connection	
Rated Output (HP)	7.5			Full Load Torque	22.2 LB-FT
Volts	230/460			Start Configuration	direct on line
Full Load Amps	19/9.5			Breakdown Torque	70.9 LB-FT
R.P.M.	1770			Pull-up Torque	32.6 LB-FT
Hz	60	Phase	3	Locked-rotor Torque	43 LB-FT
NEMA Design Code	A	KVA Code	J	Starting Current	70.9 A
Service Factor (S.F.)	1.15			No-load Current	4.31 A
NEMA Nom. Eff.	91.7	Power Factor	80	Line-line Res. @ 25°C	1.41 Ω
Rating - Duty	40C AMB-CONT			Temp. Rise @ Rated Load	63°C
S.F. Amps				Temp. Rise @ S.F. Load	77°C
				Locked-rotor Power Factor	37.2
				Rotor inertia	0.934 LB-FT <sup>2</sup>

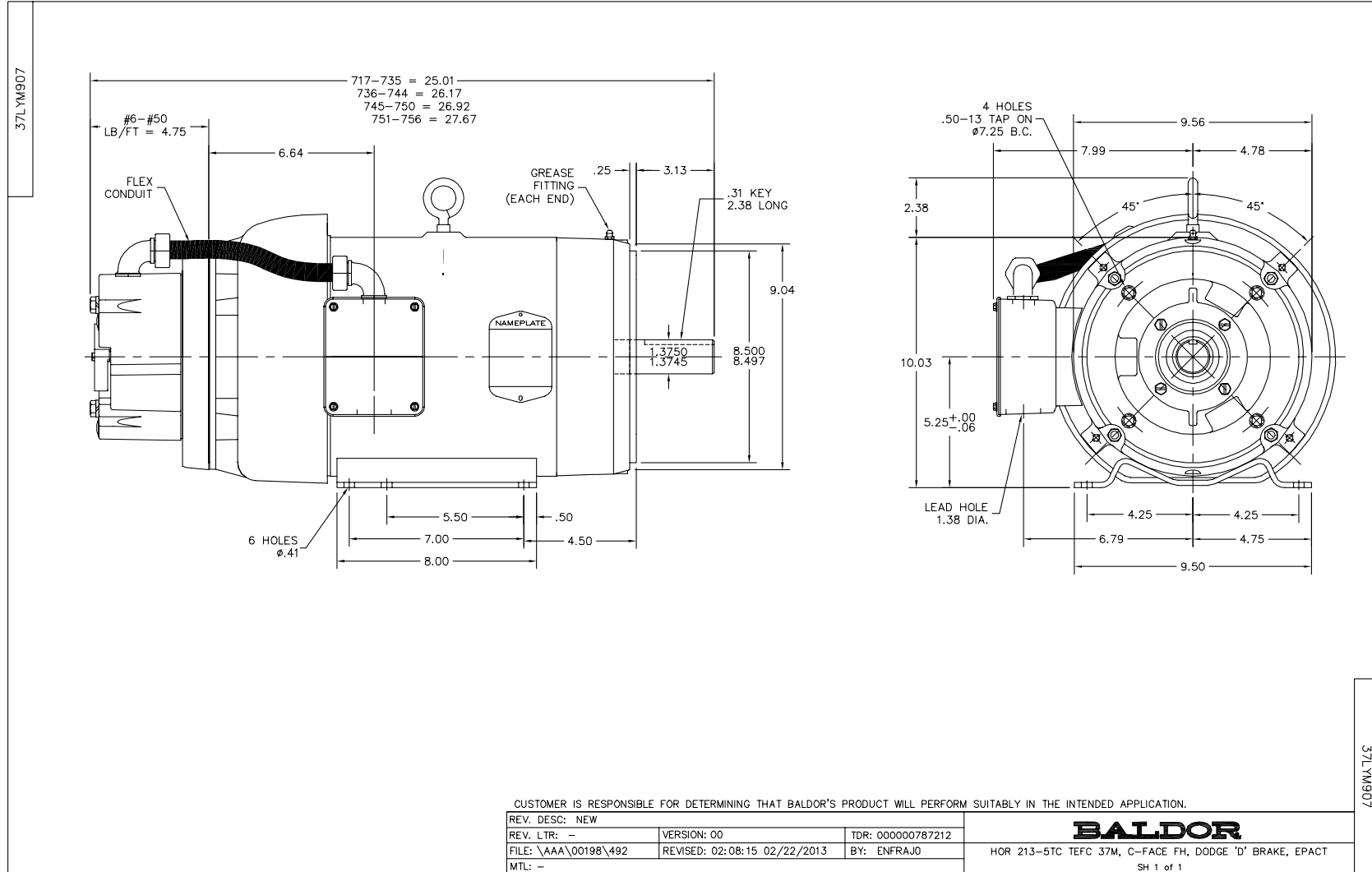
Load Characteristics 460 V, 60 Hz, 7.5 HP

% of Rated Load	25	50	75	100	125	150	S.F.
Power Factor	42	64	75	80	83	84	82
Efficiency	87.1	91.6	92	92	91.1	89.8	91.5
Speed	1793	1786	1778	1770	1760	1750	1764
Line amperes	4.83	6.02	7.6	9.5	11.6	13.9	10.8

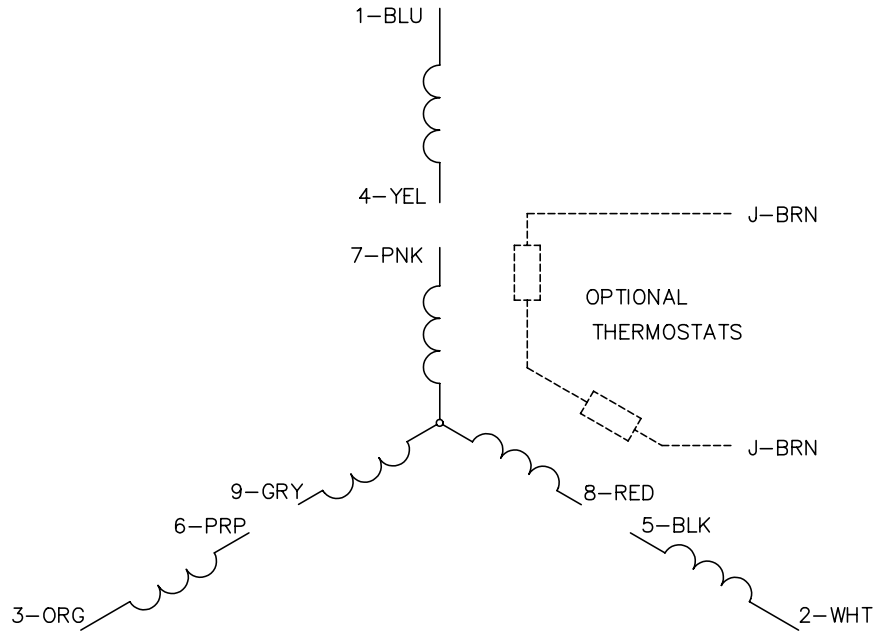
Performance Graph at 460V, 60Hz, 7.5HP Typical performance - Not guaranteed values



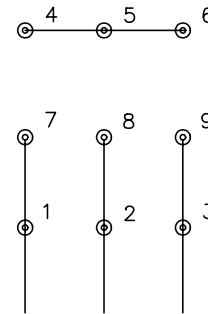




CD0005

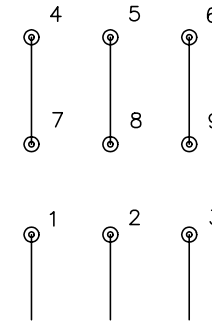


LOW VOLTAGE  
(2Y)



LINE

HIGH VOLTAGE  
(1Y)



LINE

NOTES:

1. INTERCHANGE ANY TWO LINE LEADS TO REVERSE ROTATION.
2. OPTIONAL THERMOSTATS ARE PROVIDED WHEN SPECIFIED.
3. ACTUAL NUMBER OF INTERNAL PARALLEL CIRCUITS MAY BE A MULTIPLE OF THOSE SHOWN ABOVE.
4. LEAD COLORS ARE OPTIONAL. LEADS MUST ALWAYS BE NUMBERED AS SHOWN.

REV. DESC: REVISE TO SHOW OPTIONAL COLORS			
REV. LTR: E	BY: JLP	REVISED: 01/19/99 10:15	TDR: 0171435
90000		FILE: AAA00005140	MDL: -
		MTL: -	

**BALDOR ELECTRIC Co.**

3PH, DV, 9 LEADS

CD0005