

BALDOR® • ***RELIANCE***

Product Information Packet

ECP4114T

50HP,3540RPM,3PH,60HZ,326TS,1256M,TEFC,F

Part Detail							
Revision:	F	Status:	PRD/A	Change #:		Proprietary:	No
Type:	AC	Prod. Type:	1256M	Elec. Spec:	12WGX911	CD Diagram:	CD0180
Enclosure:	TEFC	Mfg Plant:		Mech. Spec:	12G154	Layout:	12LYG154
Frame:	326TS	Mounting:	F1	Poles:	02	Created Date:	01-27-2015
Base:	RG	Rotation:	R	Insulation:	F	Eff. Date:	05-17-2016
Leads:	9#8					Replaced By:	
Literature:		Elec. Diagram:					

Nameplate NP3241									
CAT.NO.	ECP4114T	P/N		ENCLOSURE	TEFC				
SPEC.	12G154X911G2	CC	010A	FRAME	326TS	S/N			
HP	50	CLASS	F	HZ	60	DES	A		
RPM	3540	RPM MAX	5400	PH	3	KVA-CODE	H		
VOLT	230/460	MOTOR WEIGHT	587						
AMP	112/56	SER.F.	1.15	PF	89	ODE BRG	6312	DE BRG	6312
RATING	40C AMB-CONT	NEMA-NOM-EFF	93.6	GREASE	POLYREX EM				
				INV.TYPE	PWM				
TEMP CODE	T3	INVERTER-TEMP-CODE	200						
TEMP =	200	C HP FR	60	C HP TO	90				
CT HZ FROM	6	CT HZ TO	60						
HTR-VOLTS		HTR-AMPS		HTR-WATTS		MAX. SPACE HEATER TEMP.		VT HZ FROM	3
								VT HZ TO	60

Parts List		
Part Number	Description	Quantity
SA292958	SA 12G154X911G2	1.000 EA
RA279064	RA 12G154X911G2	1.000 EA
37FN3002C04	EXFN, PLASTIC, 6.00 OD, 2.000 ID	1.000 EA
10CB1000A04E	CONDUIT BOX, MACH W/E-COAT	1.000 EA
09GS1010	GASKET, DWG, LEADWIRE SEPERATOR	1.000 EA
10XN3118K16	5/16-18 X 1' GRADE #5, STL, ZINC PLATE	4.000 EA
HW1001A31	LOCKWASHER 5/16, ZINC PLT.591 OD, .319 I	4.000 EA
WD1000B16	T&B CX70TN TERMINAL	1.000 EA
10XN2520K08	1/4-20 X .50 GRADE #5, STL, ZINC PLATE	1.000 EA
HW1001A25	LOCKWASHER 1/4, ZINC PLT .493 OD, .255 I	1.000 EA
HA4017A10	1/8X1.25 GREASE EXT (F/S)	1.000 EA
HW4019A01	PIPE COUPLING 1/8 NPT,STEEL,ZINC COATING	1.000 EA
HA4017A01	1/8 X 4 GREASE EXT (F/S)	1.000 EA
HW4500A20	1/8NPT SL PIPE PLUG	1.000 EA
HA3400A32	STUD, 1/2-13 X 7.38	4.000 EA
HW1001A50	LOCKWASHER 1/2, ZINC PLT.,.879 OD, .509 I	4.000 EA
HA1005A04	SLINGER, OD 3.620, ID 1.98,	1.000 EA
HW5100A15	W4997-050 WVY WSHR (WB)	1.000 EA
10XN3118K42	5/16-18 X 2.63" HEX HD, GRADE 5	4.000 EA
12EP1111A30E	SPL PUEP 312 BRG W/E-COAT	1.000 EA
10XN5013K28	1/2-13 X 1.75 HEX HEAD MACH SCREW,GRAD	4.000 EA
HW1001A50	LOCKWASHER 1/2, ZINC PLT.,.879 OD, .509 I	4.000 EA
HW4500A20	1/8NPT SL PIPE PLUG	1.000 EA
HW4600B41	V-RING SLINGER 2.125 X 2.880 X 0.280	1.000 EA

Parts List (continued)		
Part Number	Description	Quantity
10XN3118K40	5/16-18 X 2.50" HEX HD, GRADE 5	4.000 EA
12FH1002A33P	FAN COVER, MACH ,EPOXY PRIMER	1.000 EA
XY5013A12	NUT,1/2-13,HEX,STEEL,ZINCPLATED	4.000 EA
HW1001A50	LOCKWASHER 1/2, ZINC PLT.,.879 OD, .509 I	4.000 EA
10CB1503A01P	CONDUIT BOX LIPPED LID, MACH W/EPXY PRMR	1.000 EA
14GS1003	GASKET CONDUIT BOX LID, NEOP	1.000 EA
10XN2520K16	1/4-20 X 1" HX HD SCRW GRADE 5, ZINC P	4.000 EA
HW1001A25	LOCKWASHER 1/4, ZINC PLT .493 OD, .255 I	4.000 EA
HW2501H18	KEY, 1/2 SQ X 2.000	1.000 EA
MJ5001A27	32220KN GRAY SEALER *MIN BUY 4 QTS=1GAL	0.031 QT
MJ5001A14	DYNAPRO SEAL, CP MOTORS VC#2508050 (603	0.033 EA
MJ5002A01	SILICON RUBBER SEALANT, 732CL 10.3 OZ TU	0.025 EA
LB1115N	LABEL,LIFTING DEVICE (ON ROLLS)	1.000 EA
12EP1111A35GE6	FR ENDPLATE, MACH W/E-COAT & MG1025N19	1.000 EA
HA4051A00	PLASTIC CAP FOR GREASE FITTING	1.000 EA
HW4500A21	1618BALEMITE FITTING 825 UNIVERSAL	1.000 EA
HW4500A17	317400 ALEMITE GREASE RELIEF	1.000 EA
HA4001A01SP	DRAIN PLUG, PLASTIC (MICRO PLAS)	1.000 EA
MJ1000A02	GREASE, POLYREX EM EXXON (USe 4824-15A)	0.200 LB
HA4051A00	PLASTIC CAP FOR GREASE FITTING	1.000 EA
HW4500A03	GREASE FITTING, .125 NPT 1610(ALEMITE) 8	1.000 EA
HW4500A17	317400 ALEMITE GREASE RELIEF	1.000 EA
HA4001A01SP	DRAIN PLUG, PLASTIC (MICRO PLAS)	1.000 EA
HW2500A25	WOODRUFF KEY USA #1008 #BLOW CARBON STEE	1.000 EA

Product Information Packet: ECP4114T - 50HP,3540RPM,3PH,60HZ,326TS,1256M,TEFC,F

51XB1214A20	12-14X1.25 HXWSSLD SERTYB	1.000 EA
MG1025N19	WILKOFAS, 778.50, RELIANCE BLUE-GREEN	0.080 GA
85XU0407S04	4X1/4 U DRIVE PIN STAINLESS	4.000 EA
LB1119N	WARNING LABEL	1.000 EA
LC0181	CONNECTION LABEL	1.000 EA
NP3241	SS SUPER-E INV UL CSA-EEV PREM CC	1.000 EA
12PA1000	PACKAGING GROUP PRINT PK1024A06	1.000 EA
LB1449	DIV-2/NEC WARNING LABEL	1.000 EA
MN416A01	TAG-INSTAL-MAINT no wire (1200/bx) 11/14	1.000 EA
LB1002N	LABEL,MARINE DUTY (ON ROLLS)	1.000 EA

AC Induction Motor Performance Data

Record # 56305 - Typical performance - not guaranteed values

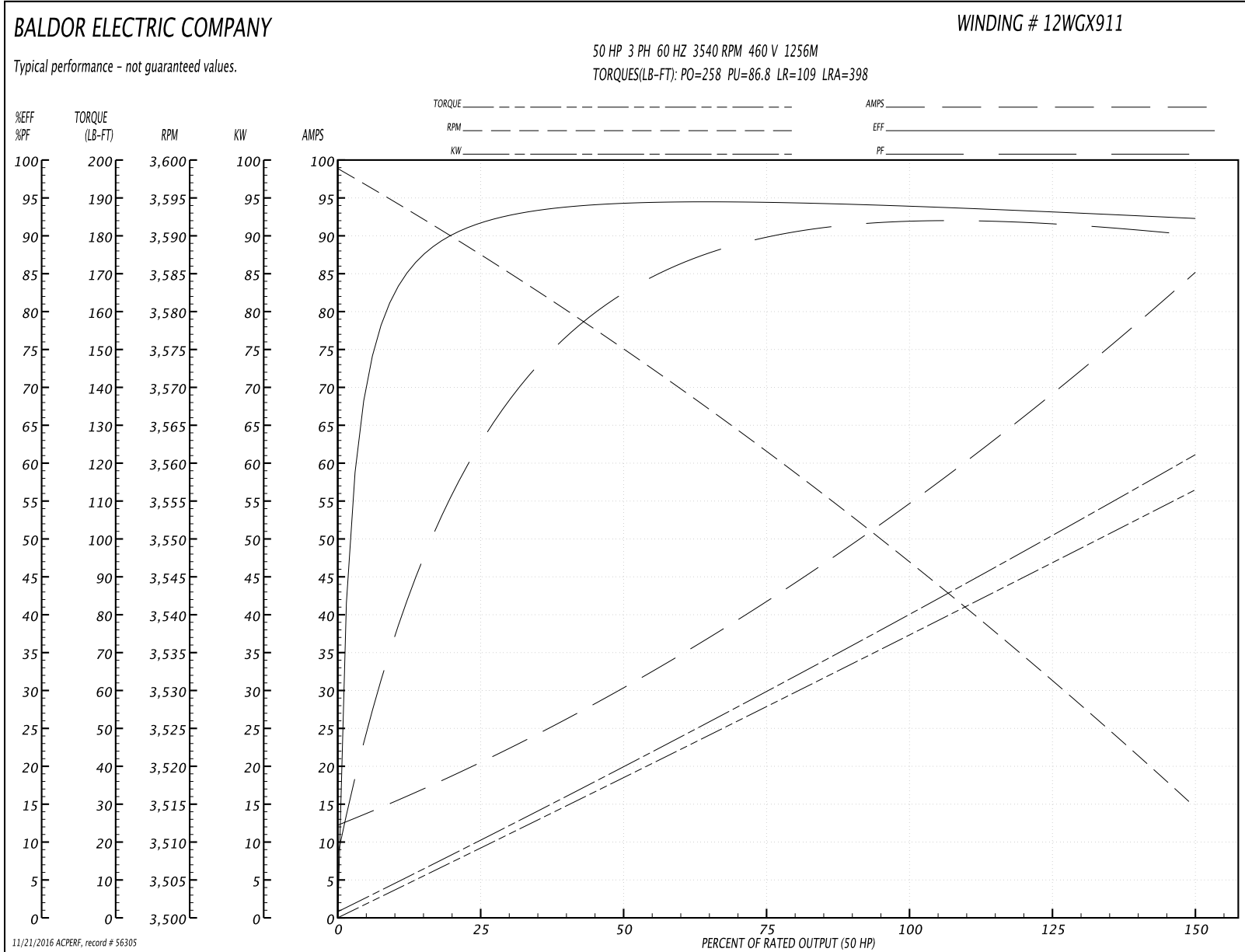
Winding: 12WGX911-R019	Type: 1256M	Enclosure: TEFC
-------------------------------	--------------------	------------------------

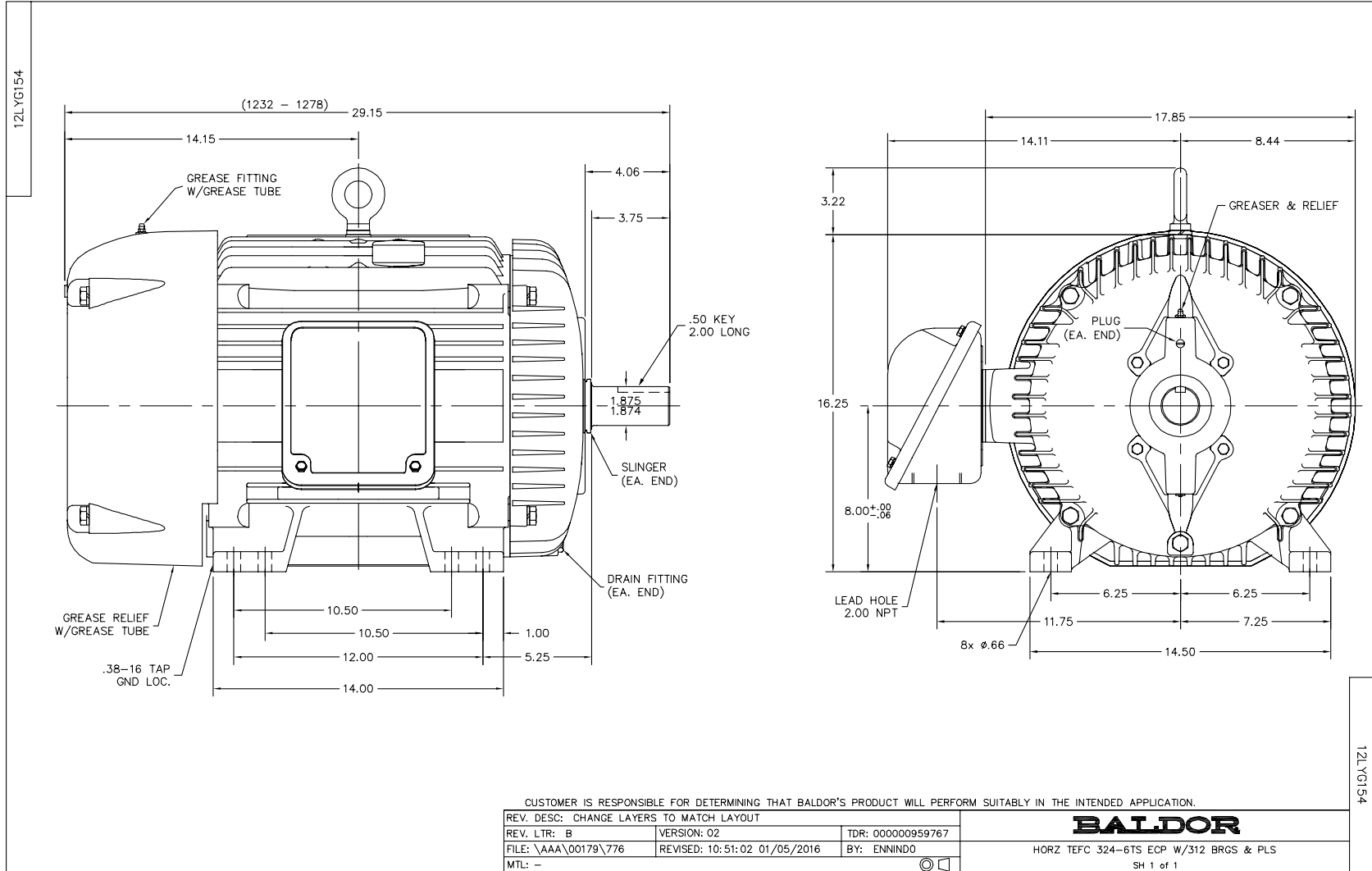
Nameplate Data				460 V, 60 Hz: High Voltage Connection	
Rated Output (HP)	50			Full Load Torque	75.2 LB-FT
Volts	230/460			Start Configuration	direct on line
Full Load Amps	112/56			Breakdown Torque	258 LB-FT
R.P.M.	3540			Pull-up Torque	86.8 LB-FT
Hz	60	Phase	3	Locked-rotor Torque	109 LB-FT
NEMA Design Code	A	KVA Code	H	Starting Current	398 A
Service Factor (S.F.)	1.15			No-load Current	13.2 A
NEMA Nom. Eff.	93.6	Power Factor	89	Line-line Res. @ 25°C	0.11087 Ω
Rating - Duty	40C AMB-CONT			Temp. Rise @ Rated Load	75°C
S.F. Amps				Temp. Rise @ S.F. Load	92°C
				Locked-rotor Power Factor	20.5

Load Characteristics 460 V, 60 Hz, 50 HP

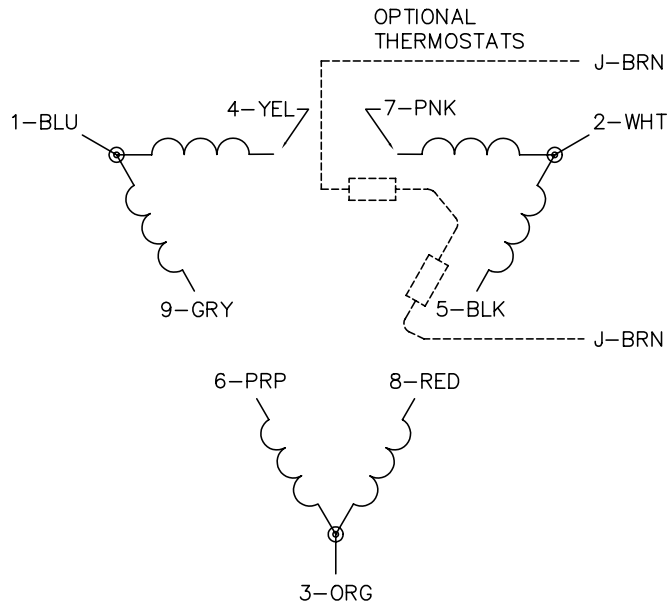
% of Rated Load	25	50	75	100	125	150	S.F.
Power Factor	69	84	89	91	91	91	91
Efficiency	91.9	94.2	94.4	94	93.3	92.4	93.6
Speed	3587.1	3574.5	3560.8	3546.6	3531.2	3514.5	3537
Line amperes	19.6	30.4	42.5	55.7	70	84.5	64.3

Performance Graph at 460V, 60Hz, 50.0HP Typical performance - Not guaranteed values

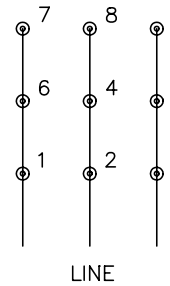




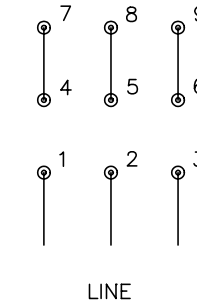
CD0180



LOW VOLTAGE
(2D)



HIGH VOLTAGE
(1D)



NOTES:

1. INTERCHANGE ANY TWO LINE LEADS TO REVERSE ROTATION.
2. OPTIONAL THERMOSTATS ARE PROVIDED WHEN SPECIFIED.
3. ACTUAL NUMBER OF INTERNAL PARALLEL CIRCUITS MAY BE A MULTIPLE OF THOSE SHOWN ABOVE.
4. LEAD COLORS ARE OPTIONAL. LEADS MUST ALWAYS BE NUMBERED AS SHOWN.

REV. DESC: REVISE TO SHOW OPTIONAL COLORS

REV. LTR: C BY: JLP

REVISED: 01/21/99 2:28

TDR: 0171435

0810D0

FILE: AAA00005148

MDL: -

MTL: -

BALDOR ELECTRIC Co.

3PH, DV, 9 LEADS, DELTA CONNECTION

CD0180