

BALDOR® • RELIANCE

Product Information Packet

EHM4111T

25HP, 1180RPM, 3PH, 60HZ, 324T, 1072M, TEFC, F1

Part Detail							
Revision:	E	Status:	PRD/A	Change #:		Proprietary:	No
Type:	AC	Prod. Type:	1072M	Elec. Spec:	10WGX979	CD Diagram:	CD0180
Enclosure:	TEFC	Mfg Plant:		Mech. Spec:	10J484	Layout:	10LYJ484
Frame:	324T	Mounting:	F1	Poles:	06	Created Date:	10-22-2013
Base:	RG	Rotation:	R	Insulation:	F	Eff. Date:	10-21-2016
Leads:	9#10					Replaced By:	
Literature:		Elec. Diagram:					

Nameplate NP2138L											
CAT.NO.	EHM4111T			P/N				ENCLOSURE	TEFC		
SPEC.	10J484X979G1		CC	010A	FRAME	324T		S/N			
HP	25			CLASS	F	HZ	60				
RPM	1180			PH	3	DES	A				
VOLT	230/460				KVA-CODE	H		ODE BRG	6309	DE BRG	6312
AMP	64/32			USABLE AT 208V	70						
RATING	40C AMB-CONT				GREASE	POLYREX EM					
NEMA-NOM-EFF	93	PF	79	SER.F.	1.15						
HTR-VOLTS			HTR-AMPS			MAX. SPACE HEATER TEMP.					

Parts List		
Part Number	Description	Quantity
SA271451	SA 10J484X979G1	1.000 EA
RA258079	RA 10J484X979G1	1.000 EA
09FN3001A02SP	EXTERNAL FAN, PLASTIC KENCO	1.000 EA
S/P107-000-004	SUPER-E(284 FR. & UP)-CL PLANT,POLYREX E	1.000 EA
10CB3001	CONDUIT BOX CAST W/2.500 LEAD HOLE	1.000 EA
12GS1000SP	GASKET	1.000 EA
10XN3118K12	5/16-18 X .75 GRADE 5, ZINC PLATED	4.000 EA
HW1001A31	LOCKWASHER 5/16, ZINC PLT.591 OD, .319 I	4.000 EA
WD1000B16	T&B CX70TN TERMINAL	1.000 EA
51XF2520A08	SCREW, HEX SER SLT HD, ZN 1/4-20 X .50 L	1.000 EA
10EP1106A53	FR ENDPLATE, MACH	1.000 EA
XY3816A12	3/8-16 FINISHED NUT	4.000 EA
HW1001A38	LOCKWASHER 3/8, ZINC PLT .688 OD, .382 I	4.000 EA
HA4017A08	.125X3.50 GREASER EXTEN.	1.000 EA
HW4019A01	PIPE COUPLING 1/8 NPT,STEEL,ZINC COATING	1.000 EA
10XN2520K32	1/4-20 X 2.00 HX HD SCRW GRADE 5, ZINC P	2.000 EA
HW1001A25	LOCKWASHER 1/4, ZINC PLT .493 OD, .255 I	2.000 EA
HW5100A11	W3917-042 WVY WSHR (WB)	1.000 EA
10XN3118K44	5/16-18 X 2.75" HEX HD, GRADE 5	4.000 EA
HW1001A31	LOCKWASHER 5/16, ZINC PLT.591 OD, .319 I	4.000 EA
10EP1108A17	PUEP W/312 BRG, "O" DRN, 1/2 SH GND MTG,	1.000 EA
84XN0540J08	5-40 X 1/2" SHCS, BLACK OXIDE	2.000 EA
HA3113A15	THRUBOLT 3/8-16 X 18.875 W/3.50 THD LENG	4.000 EA
HW1001A38	LOCKWASHER 3/8, ZINC PLT .688 OD, .382 I	4.000 EA

Parts List (continued)		
Part Number	Description	Quantity
10FH4000	310 FAN HOUSING STAMPED	1.000 EA
51XF2520A08	SCREW, HEX SER SLT HD, ZN 1/4-20 X .50 L	4.000 EA
10CB3500SP	CONDUIT BOX LID, CAST	1.000 EA
10GS1000SP	GASKET, CONDUIT BOX LID	1.000 EA
51XW2520A12	.25-20 X .75, TAPTITE II, HEX WSHR SLTD	4.000 EA
HW2501H33	KEY, 1/2 SQ X 3.875	1.000 EA
LB1115N	LABEL,LIFTING DEVICE (ON ROLLS)	1.000 EA
MN416A01	TAG-INSTAL-MAINT no wire (1000/bx) 11/14	1.000 EA
HW4500A20	1/8NPT SL PIPE PLUG	2.000 EA
HA4066A01	PUSH IN T-DRAIN FITTING (BLACK)	1.000 EA
MJ1000A02	GREASE, POLYREX EM EXXON (USe 4824-15A)	0.130 LB
HW4500A20	1/8NPT SL PIPE PLUG	2.000 EA
HA4066A01	PUSH IN T-DRAIN FITTING (BLACK)	1.000 EA
HW2500A25	WOODRUFF KEY USA #1008 #BLOW CARBON STEE	1.000 EA
51XB1214A20	12-14X1.25 HXWSSLD SERTYB	1.000 EA
MG1000G27	MED CHARCOAL METALLIC GREY 400-0096	0.070 GA
85XU0407S04	4X1/4 U DRIVE PIN STAINLESS	4.000 EA
LB1119N	WARNING LABEL	1.000 EA
LC0181	CONNECTION LABEL	1.000 EA
NP2138L	ALUM SUPER-E UL CSA-EEV PREM CC (300	1.000 EA
12PA1000	PACKAGING GROUP PRINT PK1024A06	1.000 EA

AC Induction Motor Performance Data

Record # 21410 - Typical performance - not guaranteed values

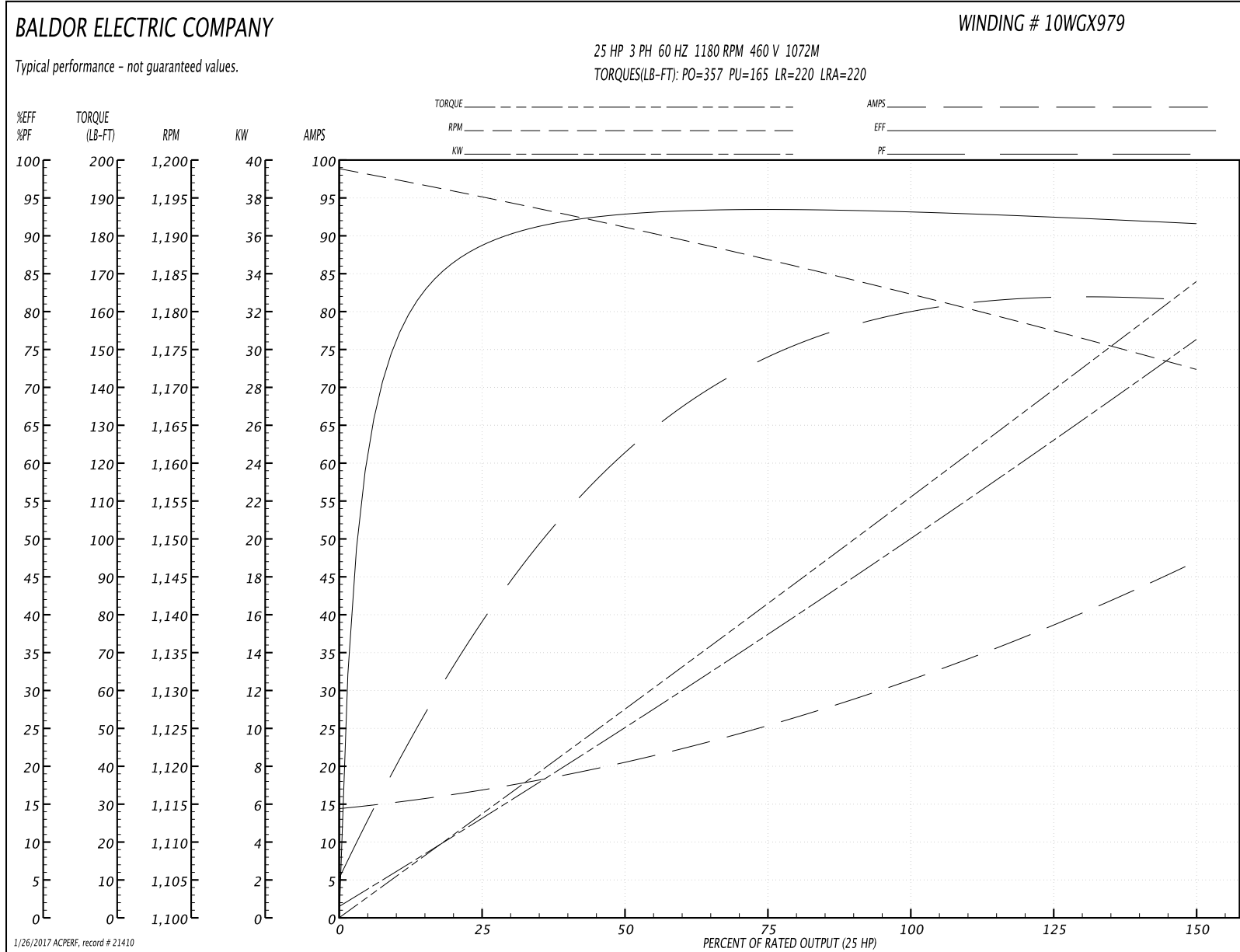
Winding: 10WGX979-R001	Type: 1072M	Enclosure: TEFC
-------------------------------	--------------------	------------------------

Nameplate Data				460 V, 60 Hz: High Voltage Connection	
Rated Output (HP)	25			Full Load Torque	112 LB-FT
Volts	230/460			Start Configuration	direct on line
Full Load Amps	64/32			Breakdown Torque	357 LB-FT
R.P.M.	1180			Pull-up Torque	165 LB-FT
Hz	60	Phase	3	Locked-rotor Torque	220 LB-FT
NEMA Design Code	A	KVA Code	H	Starting Current	220 A
Service Factor (S.F.)	1.15			No-load Current	14.9 A
NEMA Nom. Eff.	93	Power Factor	79	Line-line Res. @ 25°C	0.279 Ω
Rating - Duty	40C AMB-CONT			Temp. Rise @ Rated Load	50°C
S.F. Amps				Temp. Rise @ S.F. Load	62°C
				Locked-rotor Power Factor	30
				Rotor inertia	8.82 LB-FT ²

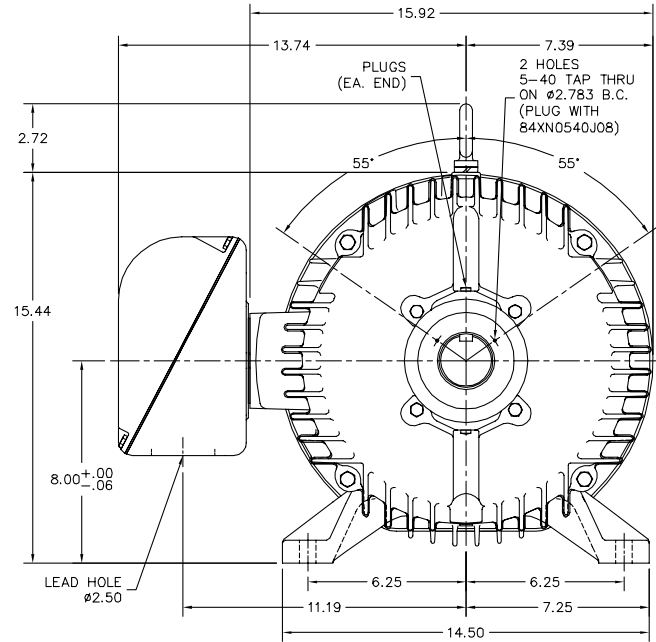
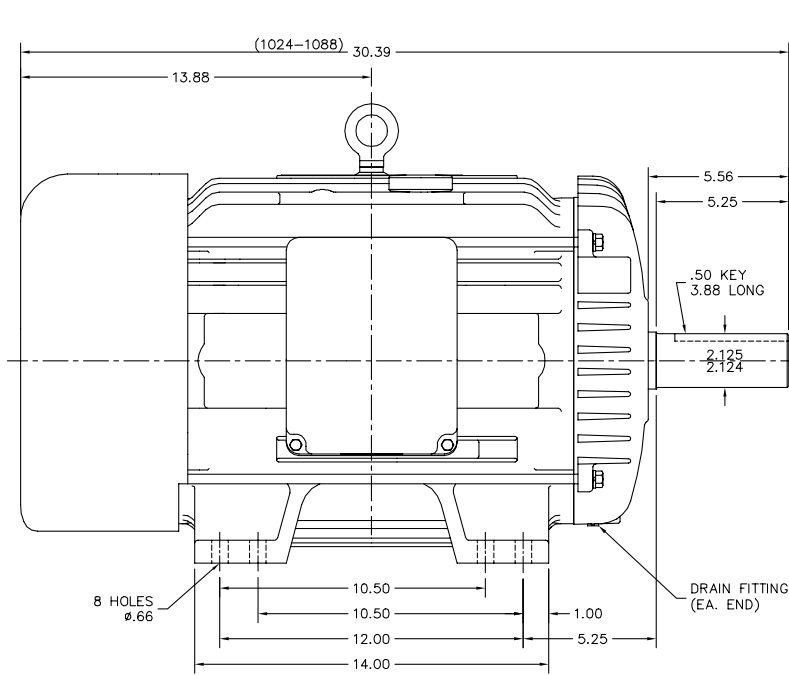
Load Characteristics 460 V, 60 Hz, 25 HP

% of Rated Load	25	50	75	100	125	150	S.F.
Power Factor	42	63	73	79	81	82	80
Efficiency	89	92.6	93.3	93	92.5	91.5	92.7
Speed	1195	1191	1187	1182	1178	1172	1180
Line amperes	16.3	20.1	25.4	32	39.1	46.7	36.3

Performance Graph at 460V, 60Hz, 25.0HP Typical performance - Not guaranteed values



10LYJ484



10LYJ484

CUSTOMER IS RESPONSIBLE FOR DETERMINING THAT BALDOR'S PRODUCT WILL PERFORM SUITABLY IN THE INTENDED APPLICATION.

REV. DESC: REMOVE LOCKNUT	VERSION: 01	TDR: 000000956702
REV. LTR: A	REVISED: 09:00:30 12/09/2015	BY: ENMARSO
FILE: \AAA\00204\342		
MTL: -		

BALDOR
 HORZ TEFC 324-6T W/THRU BOLT,1/2 SH GND MTG,GRSR & RLF PLUGS
 SH 1 of 1

CD0180

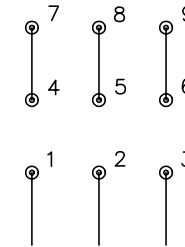


LOW VOLTAGE
(2D)



LINE

HIGH VOLTAGE
(1D)



LINE

NOTES:

1. INTERCHANGE ANY TWO LINE LEADS TO REVERSE ROTATION.
2. OPTIONAL THERMOSTATS ARE PROVIDED WHEN SPECIFIED.
3. ACTUAL NUMBER OF INTERNAL PARALLEL CIRCUITS MAY BE A MULTIPLE OF THOSE SHOWN ABOVE.
4. LEAD COLORS ARE OPTIONAL. LEADS MUST ALWAYS BE NUMBERED AS SHOWN.

REV. DESC: REVISE TO SHOW OPTIONAL COLORS			
REV. LTR: C	BY: JLP	REVISED: 01/21/99 2:28	TDR: 0171435
0810D0		FILE: AAA00005148	MDL: -
		MTL: -	

BALDOR ELECTRIC Co.

3PH, DV, 9 LEADS, DELTA CONNECTION

CD0180