

BALDOR® • **RELIANCE**

Product Information Packet

EM3554T-8

1.5HP, 1760RPM, 3PH, 60HZ, 145T, 3526M, TEFC, F

Part Detail							
Revision:	M	Status:	PRD/A	Change #:		Proprietary:	No
Type:	AC	Prod. Type:	3526M	Elec. Spec:	35WGM888	CD Diagram:	CD0006
Enclosure:	TEFC	Mfg Plant:		Mech. Spec:	35AA001	Layout:	35LYAA001
Frame:	145T	Mounting:	F1	Poles:	04	Created Date:	09-23-2010
Base:	RG	Rotation:	R	Insulation:	F	Eff. Date:	09-27-2016
Leads:	3#18					Replaced By:	
Literature:		Elec. Diagram:					

Nameplate NP3441L										
CAT.NO.	EM3554T-8									
SPEC.	35AA001M888G1									
HP	1.5									
VOLTS	200									
AMP	5									
RPM	1760									
FRAME	145T				HZ	60			PH	3
SER.F.	1.15		CODE	L	DES	B		CL	F	
NEMA-NOM-EFF	86.5		PF	73						
RATING	40C AMB-CONT									
CC	010A				USABLE AT 208V					
DE	6205				ODE	6203				
ENCL	TEFC		SN							
VPWM INVERTER READY										
CT6-60H(10:1)VT3-60H(20:1)										

Parts List		
Part Number	Description	Quantity
SA203568	SA 35AA001M888G1	1.000 EA
RA190828	RA 35AA001M888G1	1.000 EA
34FN3002B01	EXTERNAL FAN, PLASTIC, .637/.639 HUB W/	1.000 EA
NS2512A01	INSULATOR, CONDUIT BOX X	1.000 EA
35CB3009	35 CB W/1.09 DIA. LEAD HOLE @ 6:	1.000 EA
36GS1000SP	GASKET-CONDUIT BOX, .06 THICK #SV-330 LE	1.000 EA
51XB1016A07	10-16 X 7/16 HXWSSLD SERTYB	2.000 EA
11XW1032G06	10-32 X .38, TAPTITE II, HEX WSHR SLTD U	1.000 EA
35FE3100M01	FREP TEFC ASSEMBLY FOR ROUTING	1.000 EA
HW4500A01	1641B(ALEMITE)400 UNIV, GREASE FITT	1.000 EA
HW5100A03SP	WAVY WASHER (W1543-017)	1.000 EA
35PE3101A01	PUEP ASSEMBLY FOR ROUTING	1.000 EA
HW4500A01	1641B(ALEMITE)400 UNIV, GREASE FITT	1.000 EA
XY1032A02	10-32 HEX NUT DIRECTIONAL SERRATION	4.000 EA
51XB1214A16	12-14X1.00 HXWSSLD SERTYB	1.000 EA
35FH4005A84SP	IEC FH W/GRSR, NO DIMPLES PRIMED	1.000 EA
51XW1032A06	10-32 X .38, TAPTITE II, HEX WSHR SLTD S	3.000 EA
35CB4521GX	CONDUIT BOX LID KIT	1.000 EA
51XW0832A07	8-32 X .44, TAPTITE II, HEX WSHR SLTD SE	4.000 EA
HW2501D13	KEY, 3/16 SQ X 1.375	1.000 EA
HA7000A01	KEY RETAINER 7/8" DIA SHAFT	1.000 EA
85XU0407S04	4X1/4 U DRIVE PIN STAINLESS	2.000 EA
MJ1000A02	GREASE, POLYREX EM EXXON (USe 4824-15A)	0.050 LB
MG1000Y03	MUNSELL 2.53Y 6.70/ 4.60, GLOSS 20,	0.017 GA

Parts List (continued)		
Part Number	Description	Quantity
HA3100A18	THRUBOLT 10-32 X 9.250	4.000 EA
LB1119N	WARNING LABEL	1.000 EA
LC0006	CONNECTION LABEL	1.000 EA
NP3441L	ALUM SUPER-E VPWM INVERTER READY UL	1.000 EA
36PA1000	PKG GRP, PRINT PK1016A06	1.000 EA
MN416A01	TAG-INSTAL-MAINT no wire (1000/bx) 11/14	1.000 EA

Accessories		
Part Number	Description	Multiplier
35-8762	C FACE KIT	A8
35EP1506A01SP	D-FLANGE KIT	A8

AC Induction Motor Performance Data

Record # 32436 - Typical performance - not guaranteed values

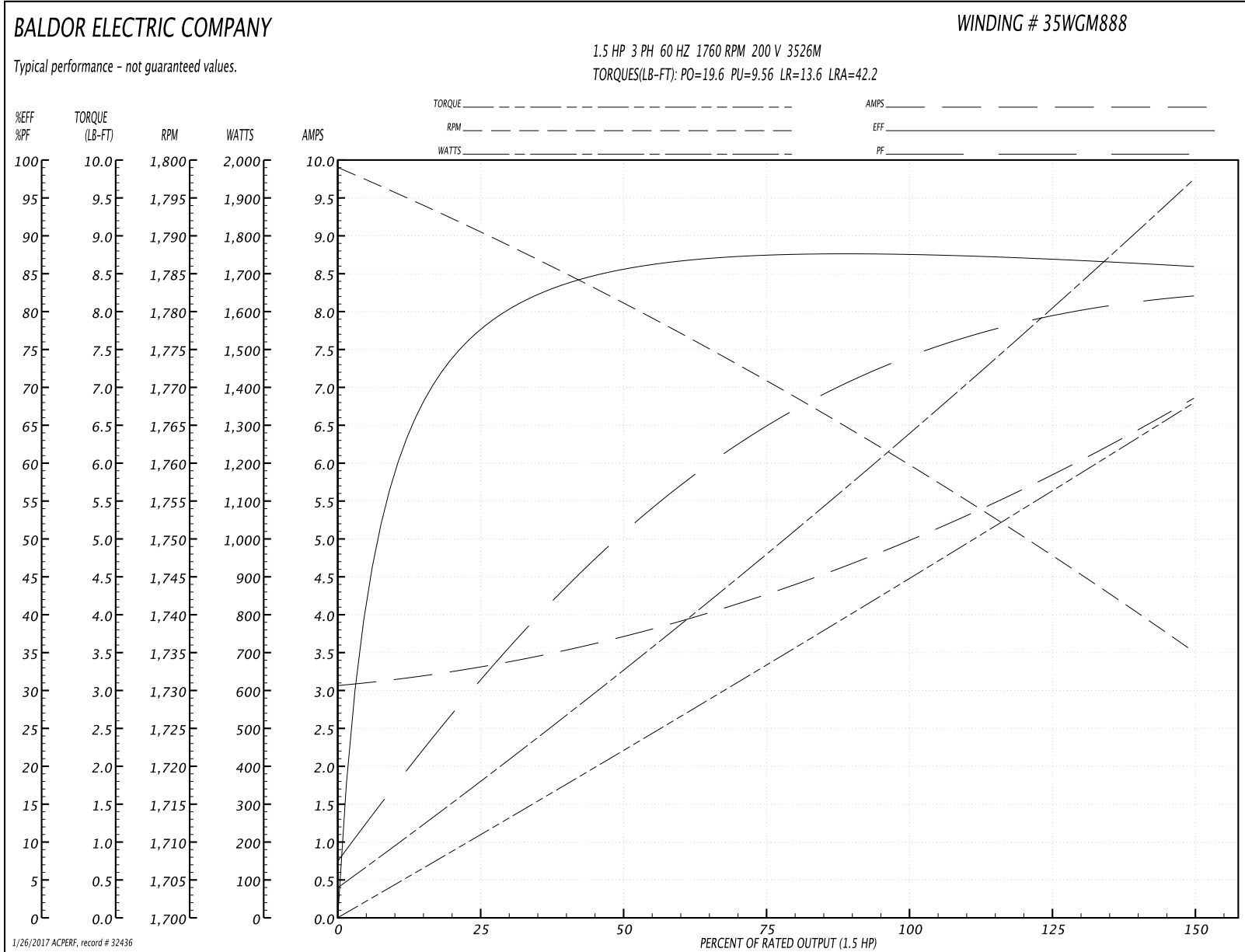
Winding: 35WGM888-R001	Type: 3526M	Enclosure: TEFC
-------------------------------	--------------------	------------------------

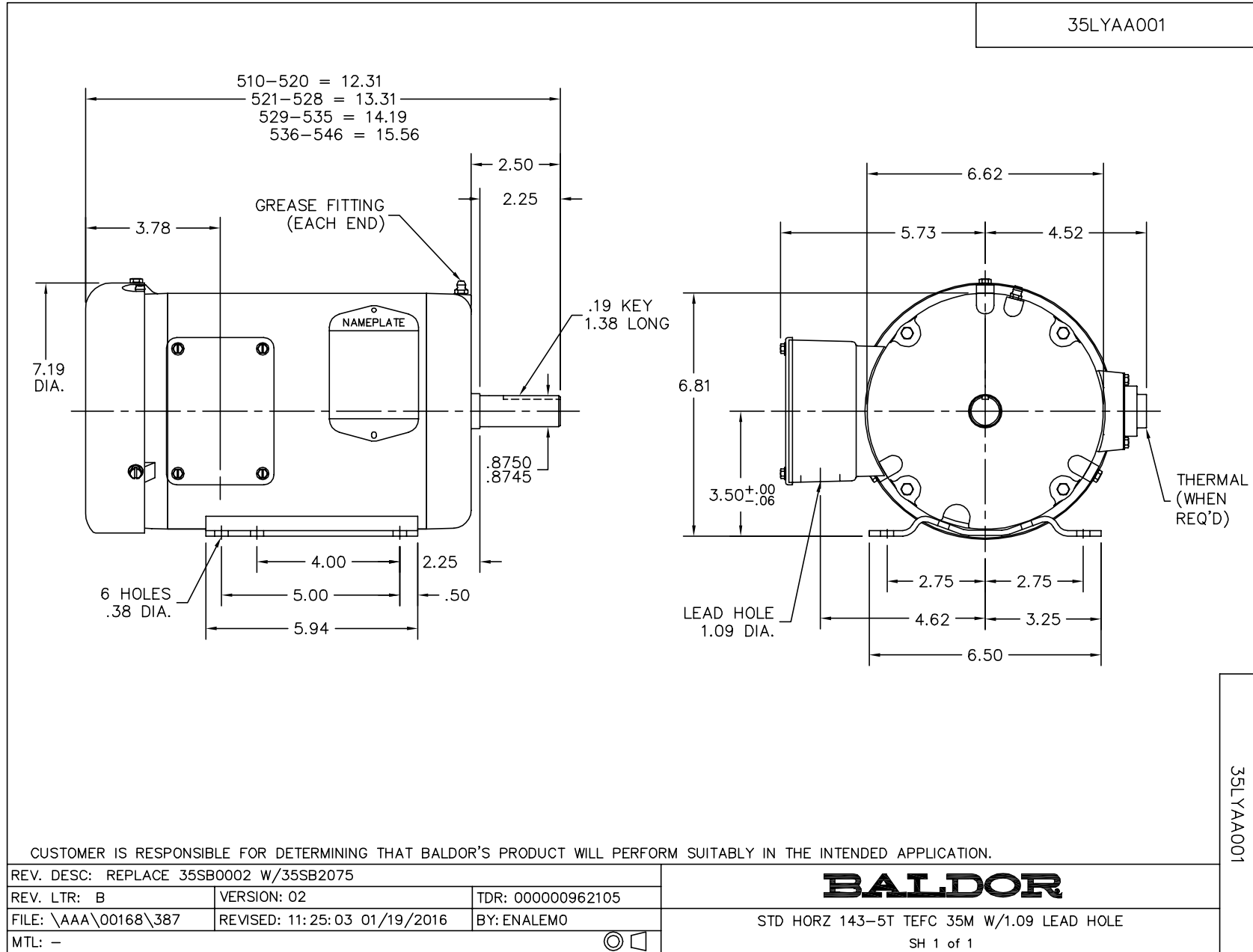
Nameplate Data				200 V, 60 Hz: Single Voltage Motor	
Rated Output (HP)	1.5			Full Load Torque	4.47 LB-FT
Volts	200			Start Configuration	direct on line
Full Load Amps	5			Breakdown Torque	19.6 LB-FT
R.P.M.	1760			Pull-up Torque	9.56 LB-FT
Hz	60	Phase	3	Locked-rotor Torque	13.6 LB-FT
NEMA Design Code	B	KVA Code	L	Starting Current	42.2 A
Service Factor (S.F.)	1.15			No-load Current	3.1 A
NEMA Nom. Eff.	86.5	Power Factor	73	Line-line Res. @ 25°C	1.86 Ω
Rating - Duty	40C AMB-CONT			Temp. Rise @ Rated Load	42°C
S.F. Amps				Temp. Rise @ S.F. Load	50°C
				Locked-rotor Power Factor	50
				Rotor inertia	0.154 LB-FT ²

Load Characteristics 200 V, 60 Hz, 1.5 HP

% of Rated Load	25	50	75	100	125	150	S.F.
Power Factor	31	51	65	74	79	83	77
Efficiency	76.9	85.1	87.5	87.7	86.9	85.9	87.2
Speed	1791	1781	1771	1760	1748	1735	1753
Line amperes	3.27	3.67	4.25	5	5.9	6.81	5.54

Performance Graph at 200V, 60Hz, 1.5HP Typical performance - Not guaranteed values





CD0006



NOTES:

1. THREE LEAD MOTOR MAY BE EITHER WYE CONNECTED OR DELTA CONNECTED.
2. INTERCHANGE ANY TWO LINE LEADS TO REVERSE ROTATION.
3. OPTIONAL THERMOSTATS ARE PROVIDED WHEN SPECIFIED.
4. ACTUAL NUMBER OF INTERNAL PARALLEL CIRCUITS MAY VARY.
5. LEAD COLORS ARE OPTIONAL. LEADS MUST BE NUMBERED AS SHOWN.

REV. DESC: REVISE TO SHOW OPTIONAL COLORS			
REV. LTR: D	BY: JLP	REVISED: 01/21/99 4:02	TDR: 0171435
9000D		FILE: AAA00005141	MDL: -
		MTL: -	

BALDOR ELECTRIC Co.

3PH, SV, 3 LEADS, WYE OR DELTA CONNECTED

CD0006