

# **BALDOR**® • ***RELIANCE***

## **Product Information Packet**

# **EM4110T-8**

**40HP,1775RPM,3PH,60HZ,324T,1254M,TEFC,F1**

Part Detail							
Revision:	N	Status:	PRD/A	Change #:		Proprietary:	No
Type:	AC	Prod. Type:	1254M	Elec. Spec:	12WGY286	CD Diagram:	CD0006
Enclosure:	TEFC	Mfg Plant:		Mech. Spec:	12H13	Layout:	12LYH013
Frame:	324T	Mounting:	F1	Poles:	04	Created Date:	04-29-2010
Base:	RG	Rotation:	R	Insulation:	F	Eff. Date:	01-16-2017
Leads:	3#4					Replaced By:	
Literature:		Elec. Diagram:					

Nameplate NP3443L												
CAT.NO.	EM4110T-8			P/N				ENCLOSURE	TEFC			
SPEC.	12H013Y286G1		CC	010A		FRAME	324T		S/N			
HP	40			CLASS	F		HZ	60				
RPM	1775			PH	3		DES	A				
VOLT	200			KVA-CODE	H		ODE BRG	6311		DE BRG	6312	
AMP	111			USABLE AT 208V								
RATING	40C AMB-CONT			NEMA-NOM-EFF				94.1		GREASE POLYREX EM		
PF	82		SER.F.	1.15		VPWM INVERTER READY						
HTR-VOLTS			HTR-AMPS			MAX. SPACE HEATER TEMP.:						

Parts List		
Part Number	Description	Quantity
SA194225	SA 12H013Y286G1	1.000 EA
RA181813	RA 12H013Y286G1	1.000 EA
09FN3001B03SP	EXTERNAL FAN, PLASTIC	1.000 EA
10CB3001	CONDUIT BOX CAST W/2.500 LEAD HOLE	1.000 EA
12GS1000SP	GASKET	1.000 EA
10XN3118K12	5/16-18 X .75 GRADE 5, ZINC PLATED	4.000 EA
HW1001A31	LOCKWASHER 5/16, ZINC PLT.591 OD, .319 I	4.000 EA
WD1000B16	T&B CX70TN TERMINAL	1.000 EA
51XF2520A08	SCREW, HEX SER SLT HD, ZN 1/4-20 X .50 L	1.000 EA
12EP1107A05	FR ENDPLATE, MACH 324-6T	1.000 EA
HA3400A13	STUD, 1/2-13 X 7" WELKER	4.000 EA
HW1001A50	LOCKWASHER 1/2, ZINC PLT.,.879 OD, .509 I	4.000 EA
HW4600B41	V-RING SLINGER 2.125 X 2.880 X 0.280	1.000 EA
HW5100A13	W4627-047 WVY WSHER	1.000 EA
12EP1106A01	PU ENDPLATE, MACH 324-6T	1.000 EA
10XN3118K36	5/16-18 X 2.25" HEX HD, GRADE 5	2.000 EA
HW1001A31	LOCKWASHER 5/16, ZINC PLT.591 OD, .319 I	2.000 EA
10XN3118K40	5/16-18 X 2.50" HEX HD, GRADE 5	4.000 EA
HW1001A31	LOCKWASHER 5/16, ZINC PLT.591 OD, .319 I	4.000 EA
10XN5013K28	1/2-13 X 1.75 HEX HEAD MACH SCREW,GRAD	4.000 EA
HW1001A50	LOCKWASHER 1/2, ZINC PLT.,.879 OD, .509 I	4.000 EA
12FH1002SP	FAN COVER, CAST QF,WAUPACA QUALITY	1.000 EA
XY5013A12	NUT,1/2-13,HEX,STEEL,ZINCPLATED	4.000 EA
HW1001A50	LOCKWASHER 1/2, ZINC PLT.,.879 OD, .509 I	4.000 EA

Parts List (continued)		
Part Number	Description	Quantity
10CB3500SP	CONDUIT BOX LID, CAST	1.000 EA
10GS1000SP	GASKET, CONDUIT BOX LID	1.000 EA
51XW2520A12	.25-20 X .75, TAPTITE II, HEX WSHR SLTD	4.000 EA
HW2501H33	KEY, 1/2 SQ X 3.875	1.000 EA
LB1115N	LABEL,LIFTING DEVICE (ON ROLLS)	1.000 EA
MN416A01	TAG-INSTAL-MAINT no wire (1000/bx) 11/14	1.000 EA
HW4500A21	1618BALEMITE FITTING 825 UNIVERSAL	1.000 EA
HA4017A01	1/8 X 4 GREASE EXT (F/S)	1.000 EA
HW4500A17	317400 ALEMITE GREASE RELIEF	1.000 EA
HA4054	SHORT T-DRAIN FITTING, .125" N.P.T.	1.000 EA
HA4051A00	PLASTIC CAP FOR GREASE FITTING	1.000 EA
MJ1000A02	GREASE, POLYREX EM EXXON (USe 4824-15A)	0.200 LB
HW4500A03	GREASE FITTING, .125 NPT 1610(ALEMITE) 8	1.000 EA
HW4500A17	317400 ALEMITE GREASE RELIEF	1.000 EA
HA4054	SHORT T-DRAIN FITTING, .125" N.P.T.	1.000 EA
HA4051A00	PLASTIC CAP FOR GREASE FITTING	1.000 EA
HW2500A25	WOODRUFF KEY USA #1008 #BLOW CARBON STEE	1.000 EA
51XB1214A20	12-14X1.25 HXWSSLD SERTYB	1.000 EA
MG1000Y03	MUNSELL 2.53Y 6.70/ 4.60, GLOSS 20,	0.080 GA
85XU0407S04	4X1/4 U DRIVE PIN STAINLESS	4.000 EA
LB1119N	WARNING LABEL	1.000 EA
LC0006	CONNECTION LABEL	1.000 EA
NP3443L	SS SUPER-E UL CSA-EEV PREM CC	1.000 EA
12PA1000	PACKAGING GROUP PRINT PK1024A06	1.000 EA

<b>Accessories</b>		
<b>Part Number</b>	<b>Description</b>	<b>Multiplier</b>
12-1105	C FACE KIT	A8
12EP1501A03SP	D-FLANGE KIT	A8

**AC Induction Motor Performance Data**

Record # 31000 - Typical performance - not guaranteed values

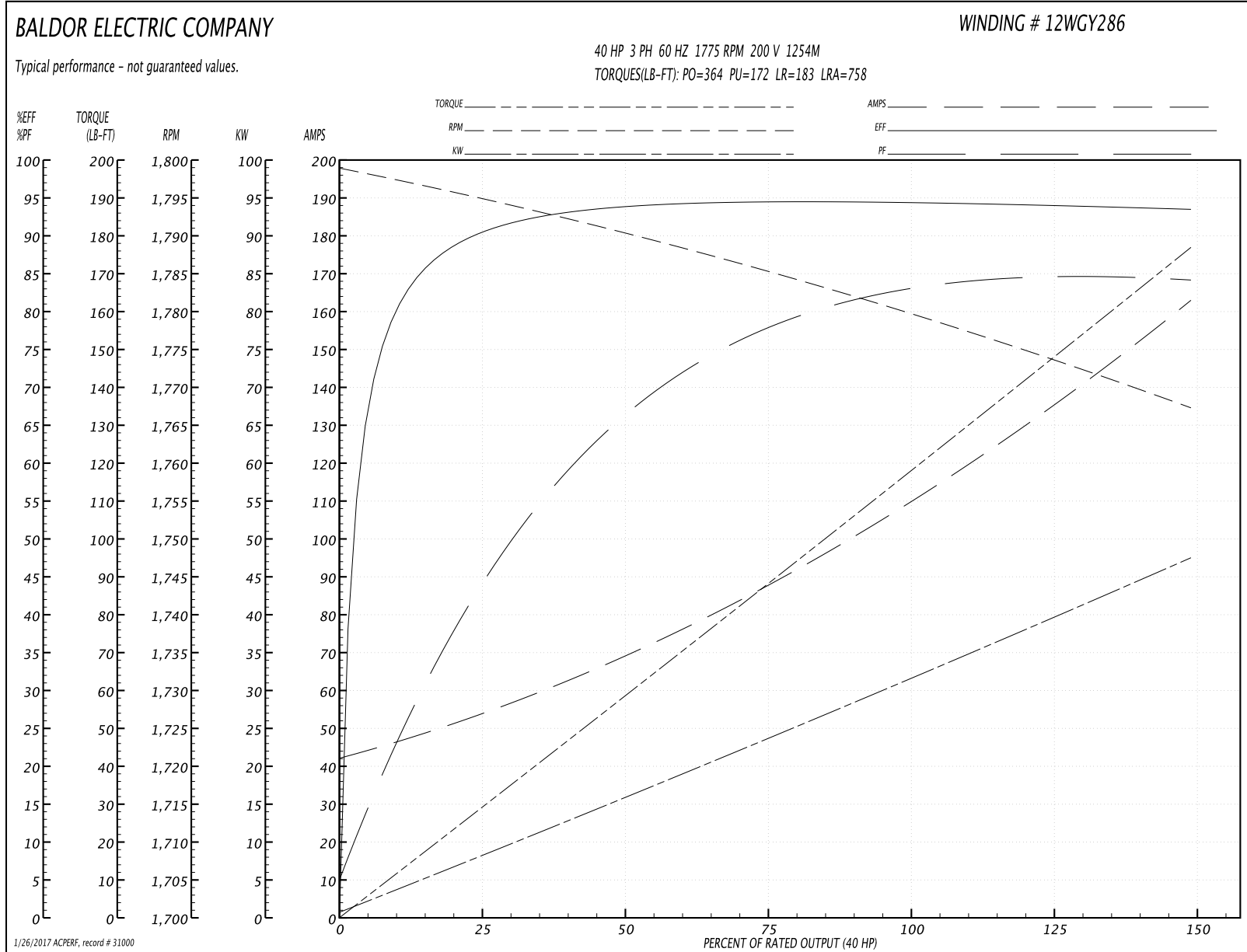
<b>Winding:</b> 12WGY286-R001	<b>Type:</b> 1254M	<b>Enclosure:</b> TEFC
-------------------------------	--------------------	------------------------

Nameplate Data				200 V, 60 Hz: Single Voltage Motor	
Rated Output (HP)	40			Full Load Torque	118 LB-FT
Volts	200			Start Configuration	direct on line
Full Load Amps	111			Breakdown Torque	364 LB-FT
R.P.M.	1775			Pull-up Torque	172 LB-FT
Hz	60	Phase	3	Locked-rotor Torque	183 LB-FT
NEMA Design Code	A	KVA Code	H	Starting Current	758 A
Service Factor (S.F.)	1.15			No-load Current	43.8 A
NEMA Nom. Eff.	94.1	Power Factor	82	Line-line Res. @ 25°C	0.027 Ω
Rating - Duty	40C AMB-CONT			Temp. Rise @ Rated Load	53°C
S.F. Amps				Temp. Rise @ S.F. Load	64°C
				Locked-rotor Power Factor	27.1
				Rotor inertia	7.19 LB-FT <sup>2</sup>

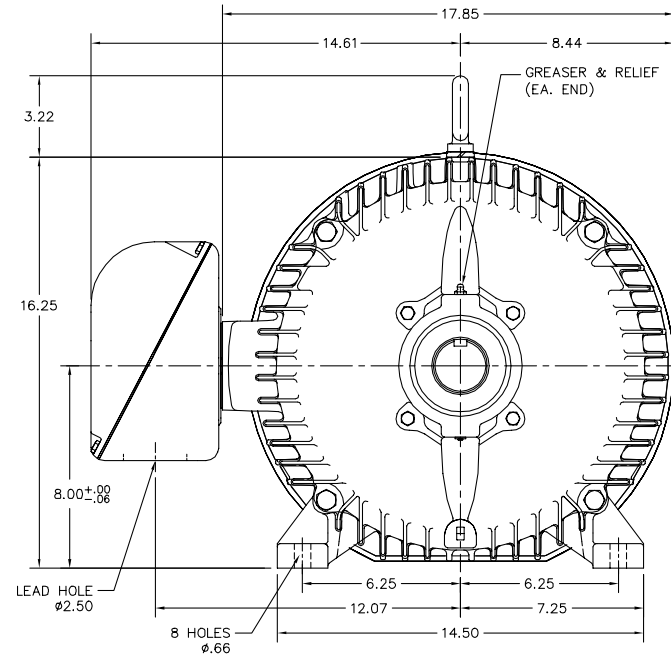
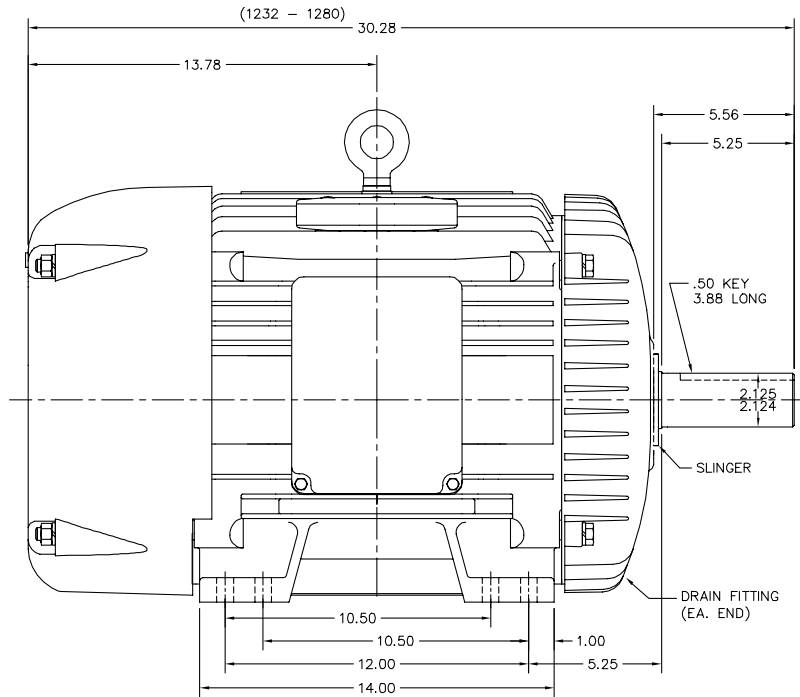
**Load Characteristics 200 V, 60 Hz, 40 HP**

% of Rated Load	25	50	75	100	125	150	S.F.
Power Factor	47	68	77	82	84	85	83
Efficiency	90.2	93.6	94.4	94.4	94.2	93.4	94.3
Speed	1795	1790	1785	1780	1774	1767	1776
Line amperes	51.7	68.4	88.8	111	136	162	126

Performance Graph at 200V, 60Hz, 40.0HP Typical performance - Not guaranteed values



12LYH013



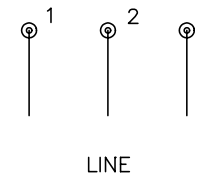
12LYH013

CUSTOMER IS RESPONSIBLE FOR DETERMINING THAT BALDOR'S PRODUCT WILL PERFORM SUITABLY IN THE INTENDED APPLICATION.

REV. DESC: REMOVE LOCKNUT	VERSION: 05	TDR: 000000953592
REV. LTR: J	REVISED: 01:43:33 11/16/2015	BY: ENMARSO
FILE: \AAA\00011\066		
MTL: -		

**BALDOR**  
 HORZ TEFC 324-6T; HI-EFF  
 SH 1 of 1

CD0006



NOTES:

1. THREE LEAD MOTOR MAY BE EITHER WYE CONNECTED OR DELTA CONNECTED.
2. INTERCHANGE ANY TWO LINE LEADS TO REVERSE ROTATION.
3. OPTIONAL THERMOSTATS ARE PROVIDED WHEN SPECIFIED.
4. ACTUAL NUMBER OF INTERNAL PARALLEL CIRCUITS MAY VARY.
5. LEAD COLORS ARE OPTIONAL. LEADS MUST BE NUMBERED AS SHOWN.

REV. DESC: REVISE TO SHOW OPTIONAL COLORS			
REV. LTR: D	BY: JLP	REVISED: 01/21/99 4:02	TDR: 0171435
9000D		FILE: AAA00005141	MDL: -
		MTL: -	

**BALDOR ELECTRIC Co.**

3PH, SV, 3 LEADS, WYE OR DELTA CONNECTED

CD0006

Marketing maintained PDF of MN416:

<http://www.baldor.com/support/Literature/Load.ashx/MN416?ManNumber=MN416>