

BALDOR® • ***RELIANCE***

Product Information Packet

EM7072T-I-5

5HP,3500RPM,3PH,60HZ,184T,3634M,XPFC,F1

Part Detail							
Revision:	G	Status:	PRD/A	Change #:		Proprietary:	No
Type:	AC	Prod. Type:	3634M	Elec. Spec:	36WGX707	CD Diagram:	CD0006
Enclosure:	XPFC	Mfg Plant:		Mech. Spec:	36J694	Layout:	36LYJ694
Frame:	184T	Mounting:	F1	Poles:	02	Created Date:	11-22-2013
Base:	RG	Rotation:	R	Insulation:	F	Eff. Date:	12-29-2016
Leads:	3#16					Replaced By:	
Literature:		Elec. Diagram:					

Nameplate NP0977XPSLEV										
NO.						CC	010A			
SER.							TEMP CODE	T3C		
SPEC.	36J694X707G1									
CAT.NO.	EM7072T-I-5									
HP	5									
VOLTS	575									
AMPS	4.5									
RPM	3500					MOTOR WEIGHT	91			
HERTZ	60	PH	3	CL	F	DE BRG	6206			
SER.F.	1.15	DES	B	CODE	K	ODE BRG	6205			
FRAME	184T		GREASE	POLYREX EM						
RATING	40C AMB-CONT 55C AMB AT 1.0 SF									
USABLE AT 208V						NEMA-NOM-EFF	89.5		PF	93
	NEMA MG-1 PT 5,IP55									

Parts List		
Part Number	Description	Quantity
SA272765	SA 36J694X707G1	1.000 EA
RA259370	RA 36J694X707G1	1.000 EA
35CB1005A01	CONDUIT BOX,MACH - GROUP "C" MTRS	1.000 EA
06EP1709A05	FRONT XPFC 205 BRG GRP C W/ DRAIN (HW450	1.000 EA
HW4500A19	1/4-28X1/4 SLOTTED PLUG F/S	2.000 EA
HW4506A02	BREATHER/DRAIN-EXP PROOF-.125-27 NPTF AI	1.000 EA
HW3022E05	.125 DIA X .500 ROLLED SPRING PIN	1.000 EA
HW5100A05	WVY WSHR F/205 & 304 BRGS	1.000 EA
36EP1718A03	36 PU EP XPFC 206 BRG W/METAL SLINGER	1.000 EA
HW4500A19	1/4-28X1/4 SLOTTED PLUG F/S	2.000 EA
HW4506A02	BREATHER/DRAIN-EXP PROOF-.125-27 NPTF AI	1.000 EA
HW3022E05	.125 DIA X .500 ROLLED SPRING PIN	1.000 EA
XY3816A12	3/8-16 FINISHED NUT	4.000 EA
36FH3003A05	FAN COVER XP W/(2) GRSR HOLES, DRAIN	1.000 EA
51XF1032A10	SCREW, HX WS HD SER, ZN	4.000 EA
35CB1501A01	CONDUIT BOX LID, MACH. - GROUP "C" MTRS	1.000 EA
RM1020A41	O-RING, -150 BUNA-N, .103 CS X 2.862 ID	1.000 EA
HA2065A01	SLINGER, ALUM (AUTO)	1.000 EA
80XN1032A07	SET SCREW, HEX XOCK, ZN	1.000 EA
HW2501E16	3KEY, 1/4 SQ X 1.750	1.000 EA
HA7000A02	KEY RETAINER RING, 1 1/8 DIA, 1 3/8 DIA	1.000 EA
85XU0407S04	4X1/4 U DRIVE PIN STAINLESS	6.000 EA
LB1359F	ALUM XP CAUTION LABEL	1.000 EA
MJ1000A02	GREASE, POLYREX EM EXXON (USe 4824-15A)	0.050 LB

Parts List (continued)		
Part Number	Description	Quantity
35FN3002A04SP	EXFN, PLASTIC, 6.376 OD, .906 ID W/KEY	1.000 EA
51XB1214A16	12-14X1.00 HXWSSLD SERTYB	1.000 EA
MG1025G29	WILKOFAS, 789.229, DARK CHARCOAL GRAY	0.022 GA
HA3105A09	THRUBOLT 3/8-16 X 12.000	4.000 EA
LB1119N	WARNING LABEL	1.000 EA
LC0006	CONNECTION LABEL	1.000 EA
MN416A01	TAG-INSTAL-MAINT no wire (1000/bx) 11/14	1.000 EA
NP0977XPSLEV	SS XP UL CSA-EEV CC CL-I GP-C&D	1.000 EA
G0PA1000	PKG GRP, PRINT PK1026A06	1.000 EA

AC Induction Motor Performance Data

Record # 38684 - Typical performance - not guaranteed values

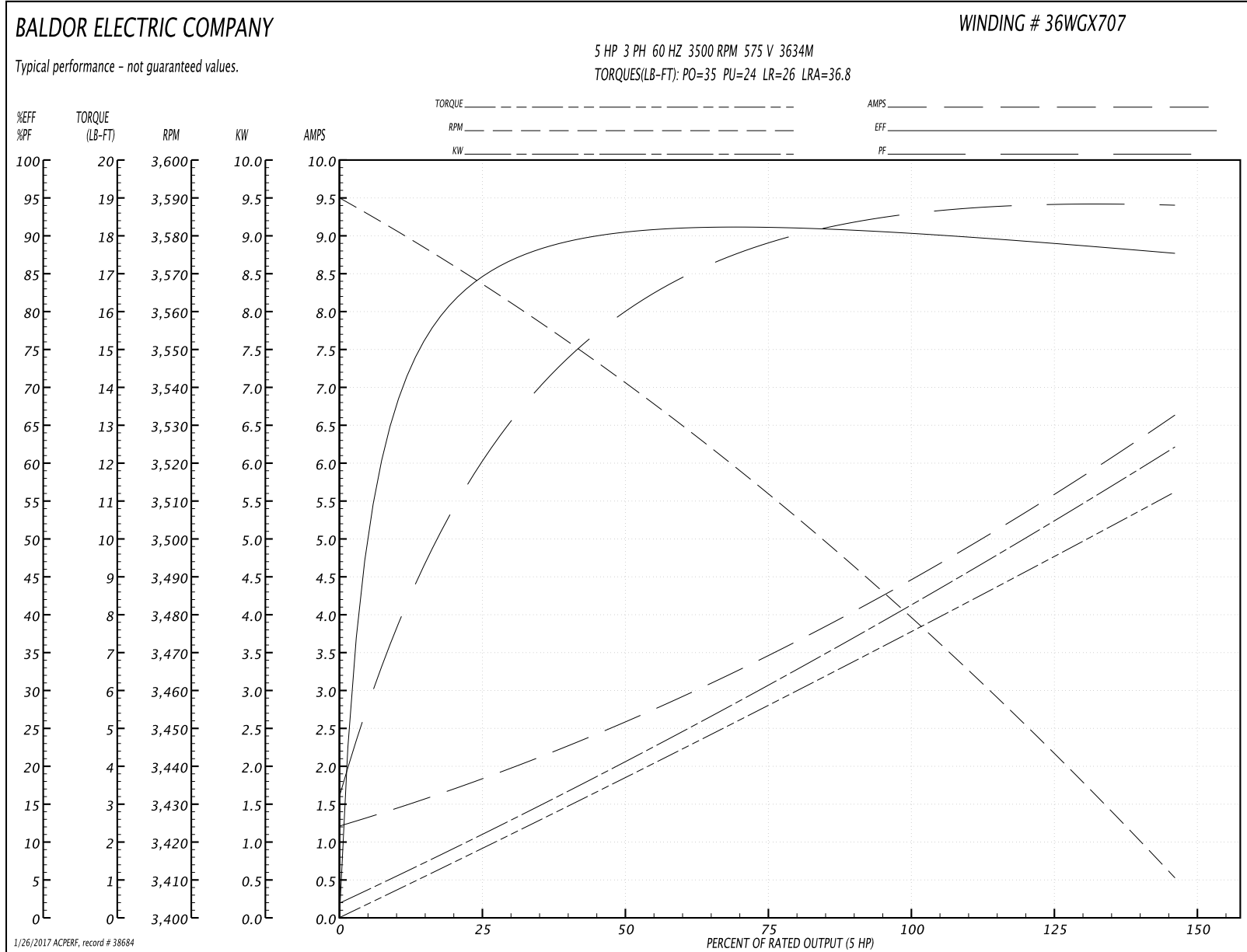
Winding: 36WGX707-R013	Type: 3634M	Enclosure: XPFC
-------------------------------	--------------------	------------------------

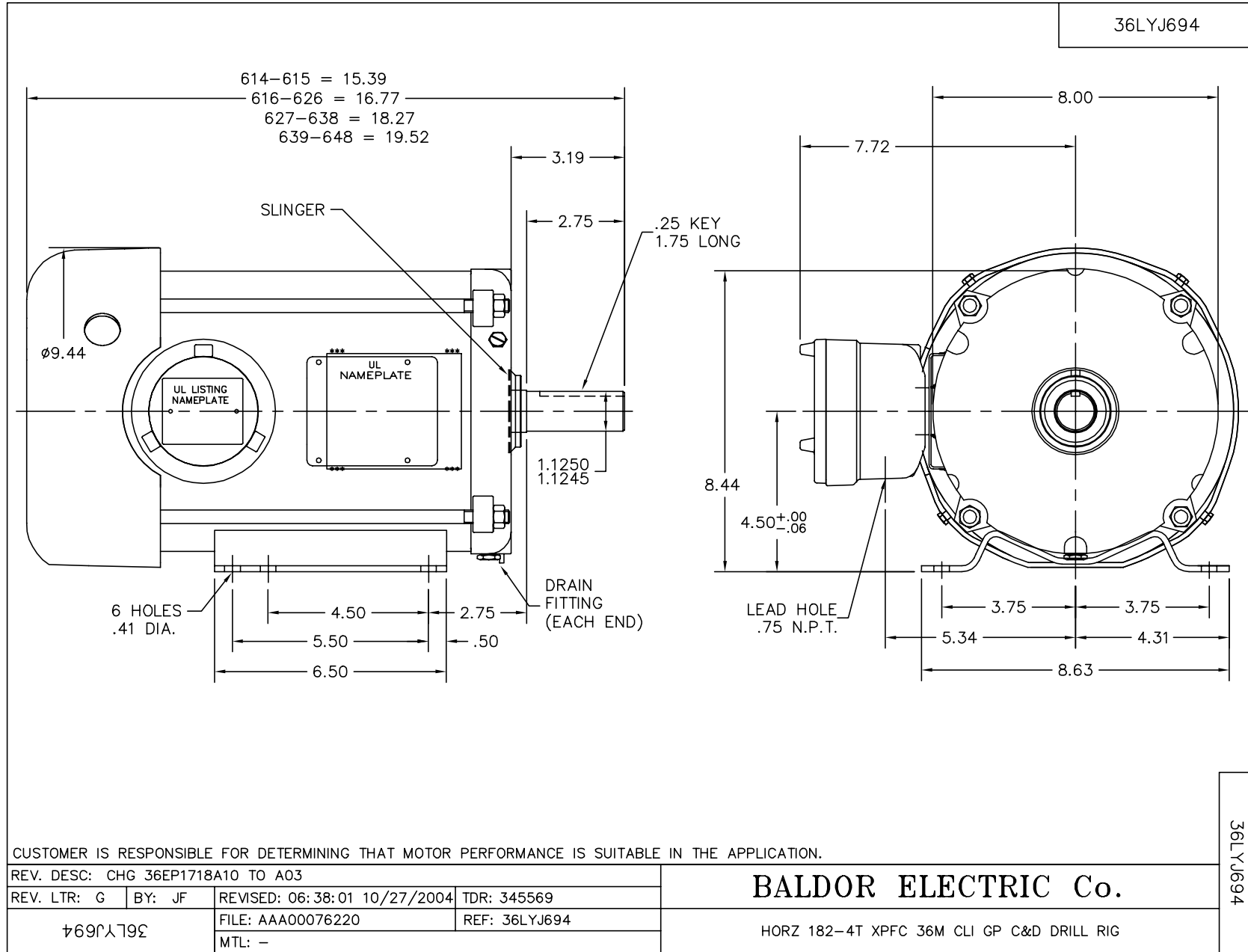
Nameplate Data				575 V, 60 Hz: Single Voltage Motor	
Rated Output (HP)	5			Full Load Torque	7.5 LB-FT
Volts	575			Start Configuration	direct on line
Full Load Amps	4.5			Breakdown Torque	35 LB-FT
R.P.M.	3500			Pull-up Torque	24 LB-FT
Hz	60	Phase	3	Locked-rotor Torque	26 LB-FT
NEMA Design Code	B	KVA Code	K	Starting Current	36.8 A
Service Factor (S.F.)	1.15			No-load Current	1.3 A
NEMA Nom. Eff.	89.5	Power Factor	93	Line-line Res. @ 25°C	3.81 Ω
Rating - Duty	40C AMB-CONT			Temp. Rise @ Rated Load	63°C
S.F. Amps				Temp. Rise @ S.F. Load	77°C
				Locked-rotor Power Factor	43
				Rotor inertia	0.153 LB-FT ²

Load Characteristics 575 V, 60 Hz, 5 HP

% of Rated Load	25	50	75	100	125	150	S.F.
Power Factor	69	85	91	93	94	95	94
Efficiency	86.8	90.5	90.8	90.2	89.2	87.7	89.6
Speed	3569	3540	3511	3479	3448	3410	3460
Line amperes	1.7	2.6	3.5	4.5	5.5	6.6	5.1

Performance Graph at 575V, 60Hz, 5.0HP Typical performance - Not guaranteed values





CD0006



NOTES:

1. THREE LEAD MOTOR MAY BE EITHER WYE CONNECTED OR DELTA CONNECTED.
2. INTERCHANGE ANY TWO LINE LEADS TO REVERSE ROTATION.
3. OPTIONAL THERMOSTATS ARE PROVIDED WHEN SPECIFIED.
4. ACTUAL NUMBER OF INTERNAL PARALLEL CIRCUITS MAY VARY.
5. LEAD COLORS ARE OPTIONAL. LEADS MUST BE NUMBERED AS SHOWN.

REV. DESC: REVISE TO SHOW OPTIONAL COLORS			
REV. LTR: D	BY: JLP	REVISED: 01/21/99 4:02	TDR: 0171435
9000D		FILE: AAA00005141	MDL: -
		MTL: -	

BALDOR ELECTRIC Co.

3PH, SV, 3 LEADS, WYE OR DELTA CONNECTED

CD0006