

BALDOR® • RELIANCE

Product Information Packet

EM7081T-I

50//40HP,3560//2960RPM,3PH,60//50HZ,326T

Part Detail							
Revision:	M	Status:	PRD/A	Change #:		Proprietary:	No
Type:	AC	Prod. Type:	1264M	Elec. Spec:	12WGY587	CD Diagram:	CD0180
Enclosure:	XPFC	Mfg Plant:		Mech. Spec:	12T060	Layout:	12LYT060
Frame:	326TS	Mounting:	F1	Poles:	02	Created Date:	06-29-2012
Base:	RG	Rotation:	R	Insulation:	F	Eff. Date:	12-15-2015
Leads:	9#8					Replaced By:	
Literature:		Elec. Diagram:					

Nameplate NP0977XPSLEV										
NO.							CC	010A		
SER.							TEMP CODE	T3C		
SPEC.	12T060Y587G1									
CAT.NO.	EM7081T-I									
HP	50//40 NEMA MG-1 PT.5,IP55									
VOLTS	230/460//190/380									
AMPS	112/56//108/54									
RPM	3560//2960						MOTOR WEIGHT	766		
HERTZ	60//50		PH	3	CL	F	DE BRG	6312		
SER.F.	1.15		DES	A	CODE	K	ODE BRG	6311		
FRAME	326TS		GREASE	POLYREX EM						
RATING	40C AMB-CONT									
USABLE AT 208V	122		NEMA-NOM-EFF			93	PF	89		
	55C AMB @ 1.0 SF,60C RISE									

Parts List		
Part Number	Description	Quantity
SA247016	SA 12T060Y587G1	1.000 EA
RA233897	RA 12T060Y587G1	1.000 EA
37FN3002C04	EXFN, PLASTIC, 6.00 OD, 2.000 ID	1.000 EA
12CB1003A01	CONDUIT BOX MACH. GROUP C MTRS	1.000 EA
10XN3118K24	5/16-18 X 1.50" HEX HD, GRADE 5	4.000 EA
HW1001A31	LOCKWASHER 5/16, ZINC PLT.591 OD, .319 I	4.000 EA
WD1000B19	TERMINAL BURNDY L250HP	1.000 EA
10XN3816K12	3/8-16 X 3/4 HEX HD CAP GRADE 5	1.000 EA
HW1001A38	LOCKWASHER 3/8, ZINC PLT .688 OD, .382 I	1.000 EA
12EP1705A12P	EP, MACH. XPFC, 311 BRG. GRP C, HW4505A0	1.000 EA
HW3023E06	.125 X .625 SPIRAL SPRING PIN	1.000 EA
HA3051A03	1/2-13X2.75 BLT GR8 1.75 TO E NC F/S	4.000 EA
HW1001A50	LOCKWASHER 1/2, ZINC PLT.,.879 OD, .509 I	4.000 EA
HW5100A13	W4627-047 WVY WSHER	1.000 EA
10XN3118K44	5/16-18 X 2.75" HEX HD, GRADE 5	4.000 EA
HW1001A31	LOCKWASHER 5/16, ZINC PLT.591 OD, .319 I	4.000 EA
12EP1706A08P	EP, MACH. XPFC 312 BRG. W/DRAIN HW4505A0	1.000 EA
HW3023E06	.125 X .625 SPIRAL SPRING PIN	1.000 EA
HA3051A03	1/2-13X2.75 BLT GR8 1.75 TO E NC F/S	4.000 EA
HW1001A50	LOCKWASHER 1/2, ZINC PLT.,.879 OD, .509 I	4.000 EA
HA2067A02	SLINGER ALUM (AUTO)	1.000 EA
80XN1032A07	SET SCREW, HEX XOCK, ZN	2.000 EA
12FH1001A06	FAN HOUSING 312 EXPLOSION PROOF MOTORS	1.000 EA
10XN3118K12	5/16-18 X .75 GRADE 5, ZINC PLATED	3.000 EA

Parts List (continued)		
Part Number	Description	Quantity
HW1001A31	LOCKWASHER 5/16, ZINC PLT.591 OD, .319 I	3.000 EA
12CB1502A01	CONDUIT BOX LID MACH. GROUP C MTRS	1.000 EA
84XN5013J32	SOCKET HD.CAP SCR,1/2-13 X 2"LG,ALLOY ST	10.000 EA
HW1001A50	LOCKWASHER 1/2, ZINC PLT.,.879 OD, .509 I	10.000 EA
HW2501H18	KEY, 1/2 SQ X 2.000	1.000 EA
LB1115N	LABEL,LIFTING DEVICE (ON ROLLS)	1.000 EA
HW4500A20	1/8NPT SL PIPE PLUG	2.000 EA
HW4505A02	BREATHER/DRAIN-EXP PROOF-.250-18 PTF AIS	1.000 EA
MJ1000A02	GREASE, POLYREX EM EXXON (USe 4824-15A)	0.200 LB
HW4500A20	1/8NPT SL PIPE PLUG	2.000 EA
HW4505A02	BREATHER/DRAIN-EXP PROOF-.250-18 PTF AIS	1.000 EA
HW2500A25	WOODRUFF KEY USA #1008 #BLOW CARBON STEE	1.000 EA
51XB1214A20	12-14X1.25 HXWSSLD SERTYB	1.000 EA
MG1025G05	WILKOFASST, 789.227, MED. GRAY CHAR. MET.	0.125 GA
85XU0407S04	4X1/4 U DRIVE PIN STAINLESS	6.000 EA
LB1081	ALUM XP CAUTION LABEL	1.000 EA
MN416A01	TAG-INSTAL-MAINT no wire (1000/bx) 11/14	1.000 EA
LB1119N	WARNING LABEL	1.000 EA
LC0181	CONNECTION LABEL	1.000 EA
NP0977XPSLEV	SS XP UL CSA-EEV CC CL-I GP-C&D	1.000 EA
14PA1000	PACKAGING 314 GROUP COMBINED PRINT	1.000 EA

AC Induction Motor Performance Data

Record # 39947 - Typical performance - not guaranteed values

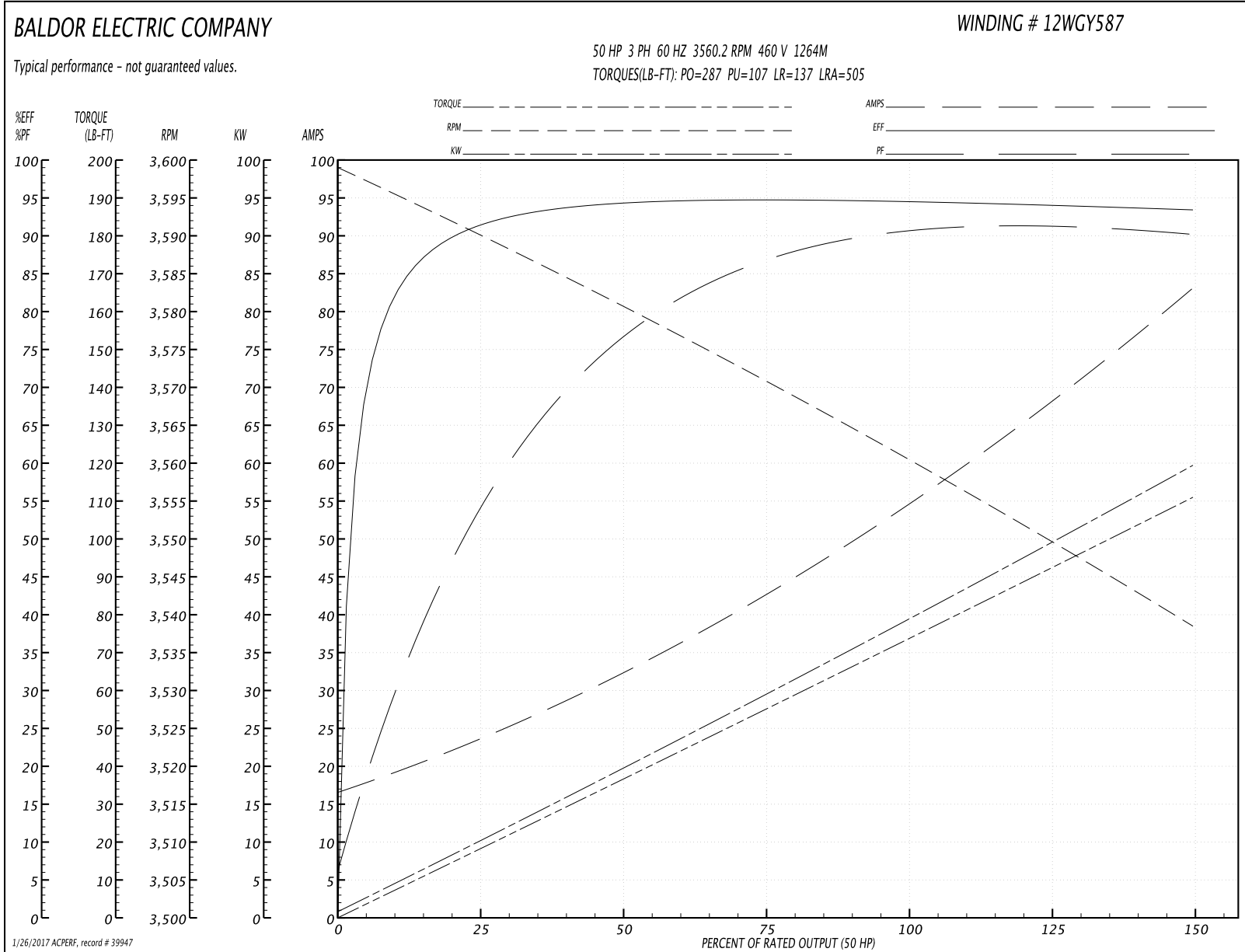
Winding: 12WGY587-R001	Type: 1264M	Enclosure: XPFC
-------------------------------	--------------------	------------------------

Nameplate Data				460 V, 60 Hz: High Voltage Connection	
Rated Output (HP)	50//40			Full Load Torque	74.1 LB-FT
Volts	230/460//190/380			Start Configuration	direct on line
Full Load Amps	112/56//108/54			Breakdown Torque	287 LB-FT
R.P.M.	3560//2960			Pull-up Torque	107 LB-FT
Hz	60//50	Phase	3	Locked-rotor Torque	137 LB-FT
NEMA Design Code	A	KVA Code	K	Starting Current	505 A
Service Factor (S.F.)	1.15			No-load Current	17.6 A
NEMA Nom. Eff.	93	Power Factor	89	Line-line Res. @ 25°C	0.08644 Ω
Rating - Duty	40C AMB-CONT			Temp. Rise @ Rated Load	53°C
S.F. Amps				Temp. Rise @ S.F. Load	65°C
				Locked-rotor Power Factor	22
				Rotor inertia	4.98 LB-FT ²

Load Characteristics 460 V, 60 Hz, 50 HP

% of Rated Load	25	50	75	100	125	150	S.F.
Power Factor	58	79	86	90	90	91	90
Efficiency	91.5	94.3	94.8	94.6	94.1	93.5	94.3
Speed	3590	3580.8	3570.3	3560.2	3549.3	3538.6	3554
Line amperes	22.4	31.8	43.5	55.6	69	82.4	63.6

Performance Graph at 460V, 60Hz, 50.0HP Typical performance - Not guaranteed values



AC Induction Motor Performance Data

Record # 39955 - Typical performance - not guaranteed values

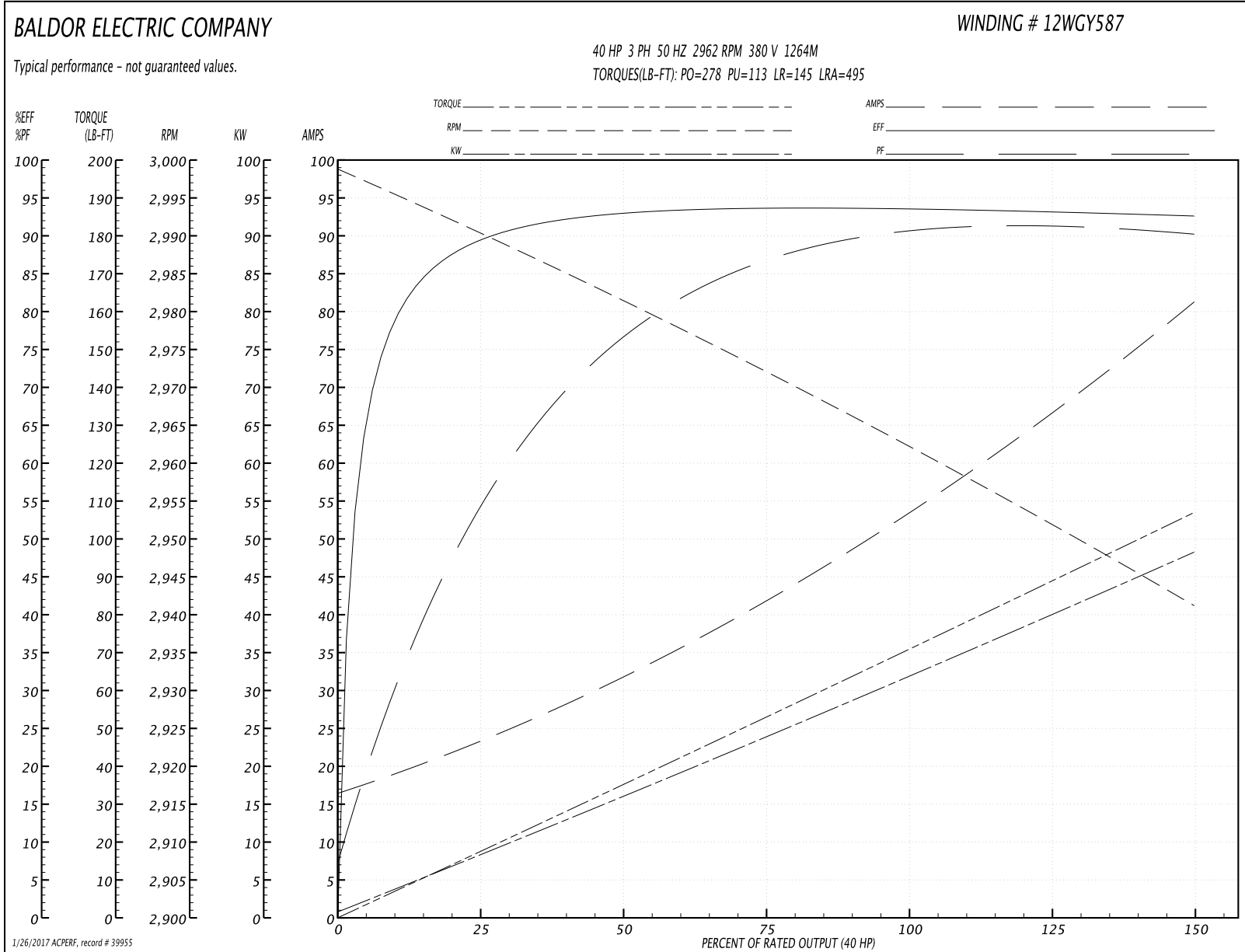
Winding: 12WGY587-R001	Type: 1264M	Enclosure: XPFC
-------------------------------	--------------------	------------------------

Nameplate Data				380 V, 50 Hz: High Voltage Connection	
Rated Output (HP)	50//40			Full Load Torque	71.2 LB-FT
Volts	230/460//190/380			Start Configuration	direct on line
Full Load Amps	112/56//108/54			Breakdown Torque	278 LB-FT
R.P.M.	3560//2960			Pull-up Torque	113 LB-FT
Hz	60//50	Phase	3	Locked-rotor Torque	145 LB-FT
NEMA Design Code	A	KVA Code	K	Starting Current	495 A
Service Factor (S.F.)	1.15			No-load Current	17.4 A
NEMA Nom. Eff.	93	Power Factor	89	Line-line Res. @ 25°C	0.0817 Ω
Rating - Duty	40C AMB-CONT			Temp. Rise @ Rated Load	50°C
S.F. Amps				Temp. Rise @ S.F. Load	60°C
				Locked-rotor Power Factor	24
				Rotor inertia	4.98 LB-FT ²

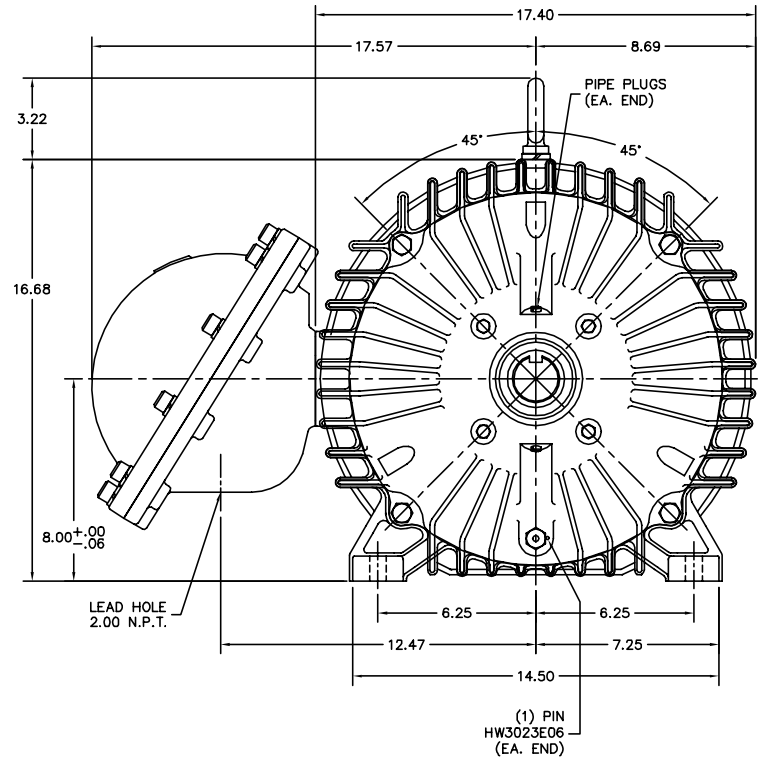
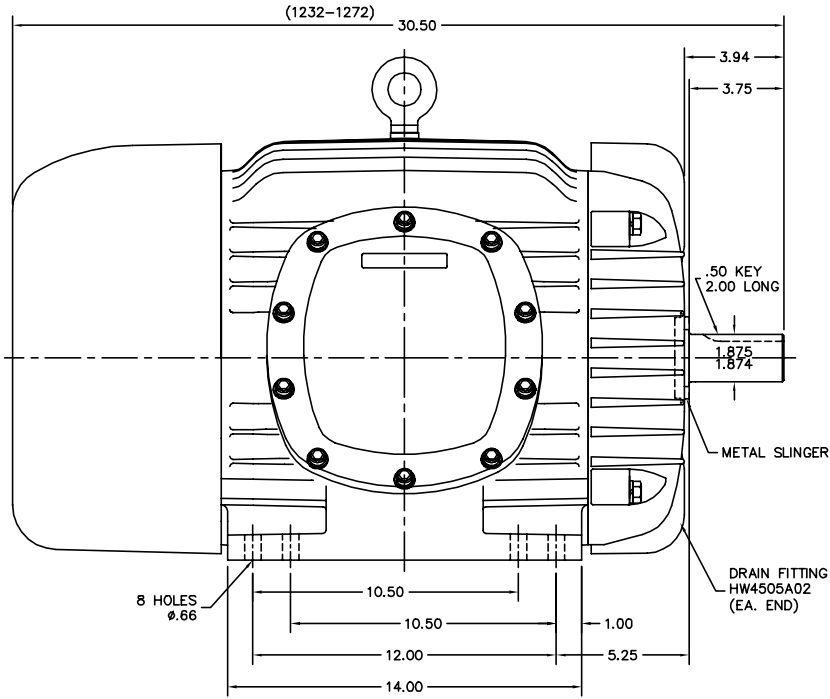
Load Characteristics 380 V, 50 Hz, 40 HP

% of Rated Load	25	50	75	100	125	150	S.F.
Power Factor	58	79	86	89	91	91	90
Efficiency	89.1	92.9	93.7	93.7	93.2	92.6	93.4
Speed	2990	2981	2972	2962	2952	2941	2956
Line amperes	22.2	31.3	42.6	54.3	67.4	80.6	62.2

Performance Graph at 380V, 50Hz, 40.0HP Typical performance - Not guaranteed values



12LYT060



CUSTOMER IS RESPONSIBLE FOR DETERMINING THAT MOTOR PERFORMANCE IS SUITABLE IN THE APPLICATION.

REV. DESC: CHG'D TO NEW DRAIN DESIGN			
REV. LTR: A	BY: RAR	REVISED: 13:43:19 02/01/2002	TDR: 259889
FILE: AAA00078337		REF: 12LYT060	
MTL: -			

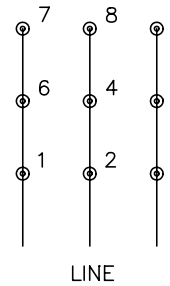
BALDOR ELECTRIC Co.
 HORZ XPFC 324-6TS CLI GP C&D, DRILL RIG

12LYT060

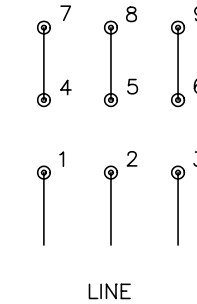
CD0180



LOW VOLTAGE
(2D)



HIGH VOLTAGE
(1D)



NOTES:

1. INTERCHANGE ANY TWO LINE LEADS TO REVERSE ROTATION.
2. OPTIONAL THERMOSTATS ARE PROVIDED WHEN SPECIFIED.
3. ACTUAL NUMBER OF INTERNAL PARALLEL CIRCUITS MAY BE A MULTIPLE OF THOSE SHOWN ABOVE.
4. LEAD COLORS ARE OPTIONAL. LEADS MUST ALWAYS BE NUMBERED AS SHOWN.

REV. DESC: REVISE TO SHOW OPTIONAL COLORS			
REV. LTR: C	BY: JLP	REVISED: 01/21/99 2:28	TDR: 0171435
0810D0		FILE: AAA00005148	MDL: -
		MTL: -	

BALDOR ELECTRIC Co.

3PH, DV, 9 LEADS, DELTA CONNECTION

CD0180