

# **BALDOR**® • **RELIANCE**

## **Product Information Packet**

# **EMM3559**

**2.2KW,3450RPM,3PH,60HZ,D90L,3532M,TEFC,B**

Part Detail							
Revision:	B	Status:	PRD/A	Change #:		Proprietary:	No
Type:	AC	Prod. Type:	3532M	Elec. Spec:	35WGQ060	CD Diagram:	CD0005
Enclosure:	TEFC	Mfg Plant:		Mech. Spec:	35Q920	Layout:	35LYQ920
Frame:	D90L	Mounting:	B3	Poles:	02	Created Date:	09-16-2013
Base:	RG	Rotation:	R	Insulation:	F	Eff. Date:	12-08-2016
Leads:	9#18					Replaced By:	
Literature:		Elec. Diagram:					

Nameplate NP3386L					
CAT.NO.	EMM3559				
SPEC.	35Q920Q060G1				
IEC FRAME	D90L	KW	2.2KW		
VOLTS	208-230/460				
AMP	7.9-7.2/3.6				
RPM	3450	ENCL	TEFC		
HZ	60	PH	3	CL	F
SER.F.	1.15	DES	B	CODE	L
NEMA-NOM-EFF	86.5	I.P.	44		
RATING	40C AMB-CONT				
CC	010A	USABLE AT 208V			
DE	6205	ODE	6203		
SER. #					

Parts List		
Part Number	Description	Quantity
SA269124	SA 35Q920Q060G1	1.000 EA
RA255777	RA 35Q920Q060G1	1.000 EA
34FN3002B01	EXTERNAL FAN, PLASTIC, .637/.639 HUB W/	1.000 EA
S/P107-000-001	SUPER E PROC'S-FS, WS & CK PLTS	1.000 EA
NS2512A01	INSULATOR, CONDUIT BOX X	1.000 EA
35CB3008A19	35 CB M20 X 2.5 TAP @ 6:00	1.000 EA
36GS1000SP	GASKET-CONDUIT BOX, .06 THICK #SV-330 LE	1.000 EA
51XB1016A07	10-16 X 7/16 HXWSSLD SERTYB	2.000 EA
11XW1032G06	10-32 X .38, TAPTITE II, HEX WSHR SLTD U	1.000 EA
35EP3100M01	FREP TEFC 203 BRG W/GRSR (RAISED FH PADS	1.000 EA
HW4500A01	1641B(ALEMITE)400 UNIV, GREASE FITT	1.000 EA
HW5100A03SP	WAVY WASHER (W1543-017)	1.000 EA
35EP3101A01SP	PUEP-ENCLOSED-205 BRG-W/GREASER	1.000 EA
HW4500A01	1641B(ALEMITE)400 UNIV, GREASE FITT	1.000 EA
XY1032A02	10-32 HEX NUT DIRECTIONAL SERRATION	4.000 EA
35FH4005A84SP	IEC FH W/GRSR, NO DIMPLES PRIMED	1.000 EA
51XW1032A06	10-32 X .38, TAPTITE II, HEX WSHR SLTD S	3.000 EA
35CB4521	35 LIPPED CB LID (GALV & PHOSPH)	1.000 EA
35GS1030	35 GS FOR CB LID - LEXIDE	1.000 EA
51XW0832A07	8-32 X .44, TAPTITE II, HEX WSHR SLTD SE	4.000 EA
HW2505A12	KEY, 8 X 7 MM 1.25 INCHES	1.000 EA
HA7000A12	KEY RETAINER 0.945-1.00 DIA SHAFTS	1.000 EA
85XU0407S04	4X1/4 U DRIVE PIN STAINLESS	2.000 EA
MJ1000A02	GREASE, POLYREX EM EXXON (USe 4824-15A)	0.050 LB

<b>Parts List (continued)</b>		
<b>Part Number</b>	<b>Description</b>	<b>Quantity</b>
MG1000Y03	MUNSELL 2.53Y 6.70/ 4.60, GLOSS 20,	0.017 GA
HA3100A22	THRUBOLT 10-32 X 10.125	4.000 EA
MN416A01	TAG-INSTAL-MAINT no wire (1000/bx) 11/14	1.000 EA
LC0005E01	CONN.DIA./WARNING LABEL (LC0005/LB1119N)	1.000 EA
NP3386L	ALUM SUPER-E IEC UL CSA-EEV CC	1.000 EA
36PA1000	PKG GRP, PRINT PK1016A06	1.000 EA

**AC Induction Motor Performance Data**

Record # 43364 - Typical performance - not guaranteed values

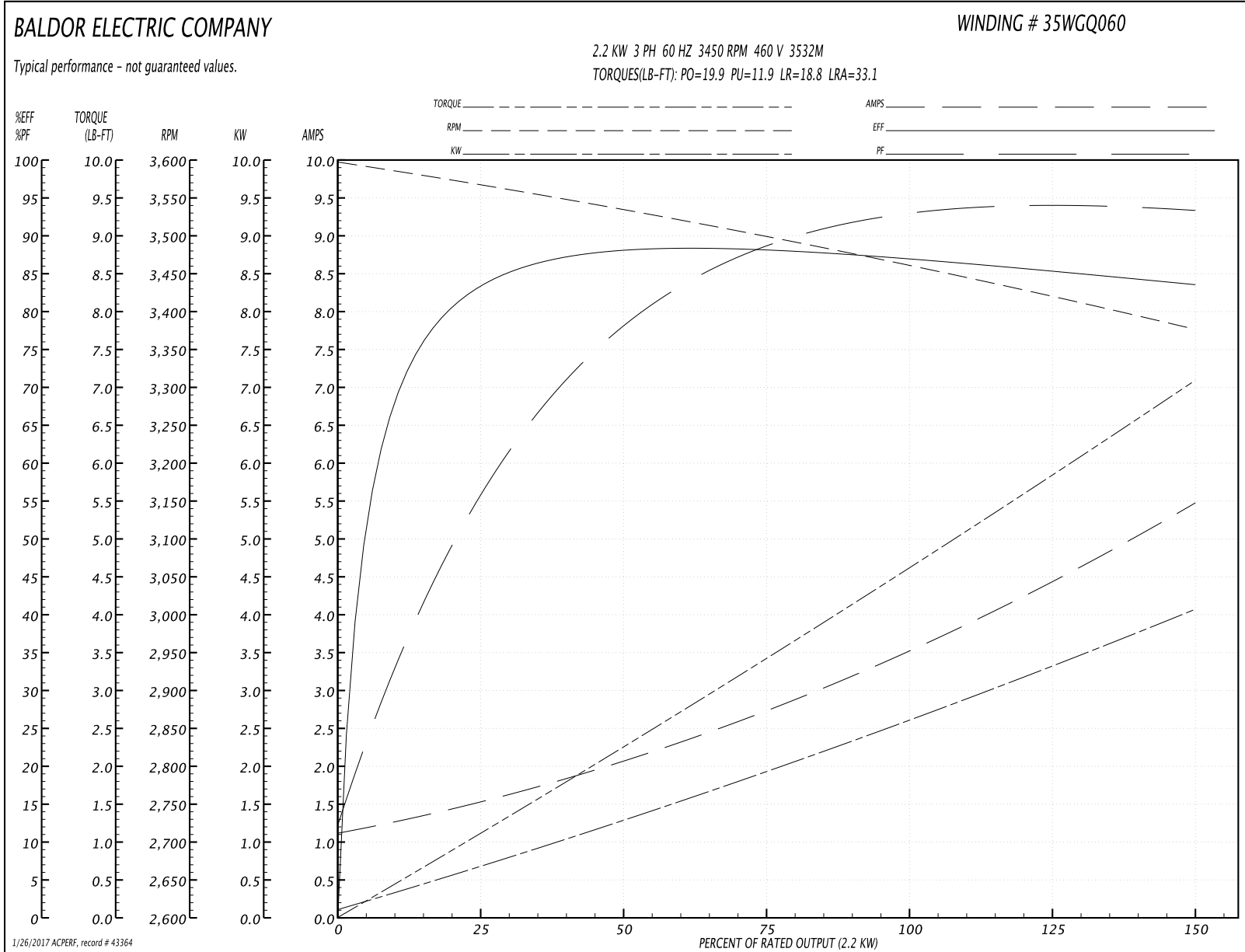
<b>Winding:</b> 35WGQ060-R010	<b>Type:</b> 3532M	<b>Enclosure:</b> TEFC
-------------------------------	--------------------	------------------------

Nameplate Data				460 V, 60 Hz: High Voltage Connection	
Rated Output (KW)	2.2			Full Load Torque	4.61 LB-FT
Volts	208-230/460			Start Configuration	direct on line
Full Load Amps	7.9-7.2/3.6			Breakdown Torque	19.9 LB-FT
R.P.M.	3450			Pull-up Torque	11.9 LB-FT
Hz	60	Phase	3	Locked-rotor Torque	18.8 LB-FT
NEMA Design Code	B	KVA Code	L	Starting Current	33.1 A
Service Factor (S.F.)	1.15			No-load Current	1.17 A
NEMA Nom. Eff.	86.5	Power Factor	92	Line-line Res. @ 25°C	4.7916 Ω
Rating - Duty	40C AMB-CONT			Temp. Rise @ Rated Load	57°C
S.F. Amps				Temp. Rise @ S.F. Load	72°C

Load Characteristics 460 V, 60 Hz, 2.2 KW

% of Rated Load	25	50	75	100	125	150	S.F.
Power Factor	62	81	88	92	93	94	93
Efficiency	83.7	87.9	88.2	87.2	85.6	83.5	86.2
Speed	3562.2	3530.9	3497.8	3462.5	3420.8	3375.4	3437
Line amperes	1.5	2.08	2.79	3.57	4.46	5.44	4.1

Performance Graph at 460V, 60Hz, 2.2KW Typical performance - Not guaranteed values



**AC Induction Motor Performance Data**

Record # 50640 - Typical performance - not guaranteed values

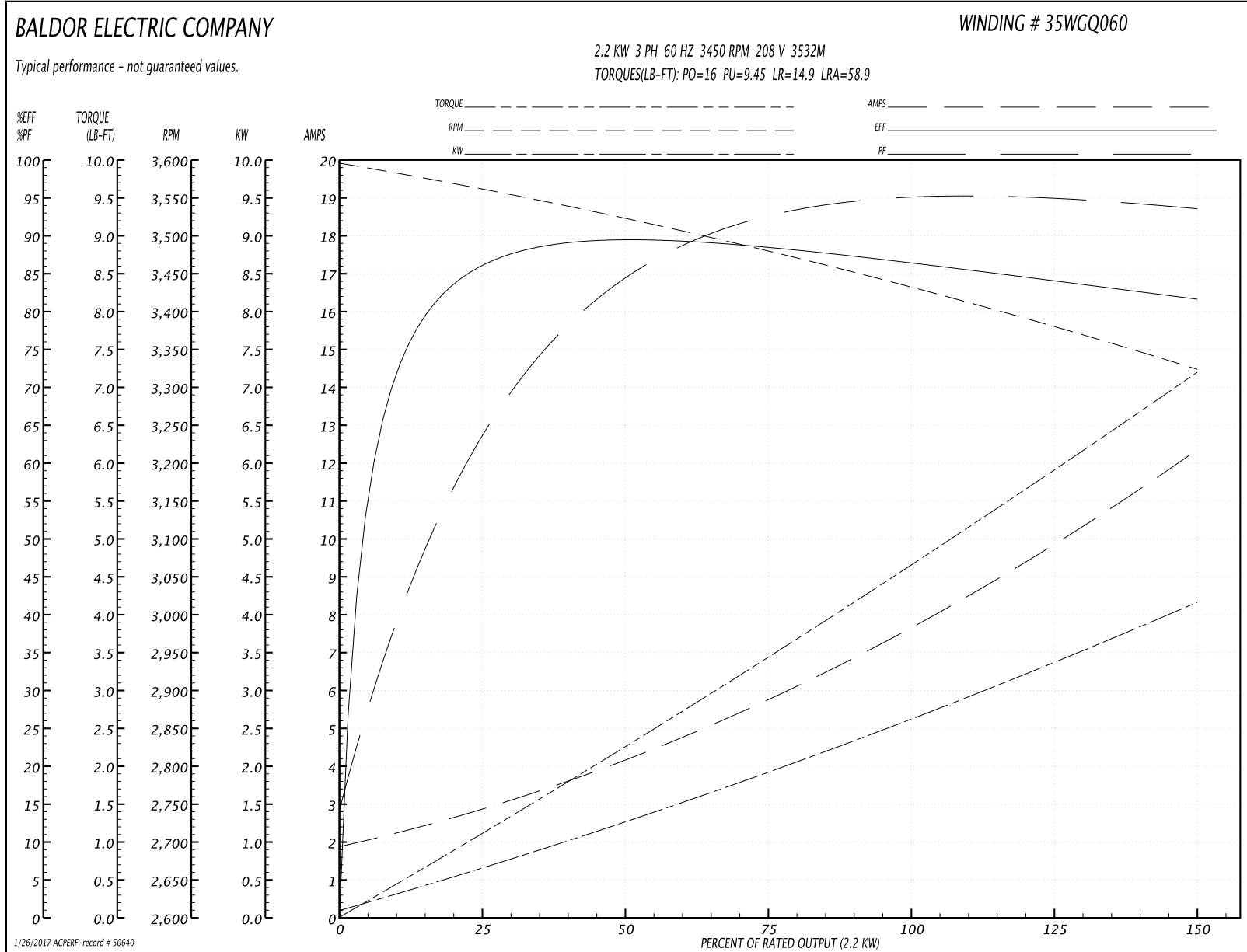
<b>Winding:</b> 35WGQ060-R010	<b>Type:</b> 3532M	<b>Enclosure:</b> TEFC
-------------------------------	--------------------	------------------------

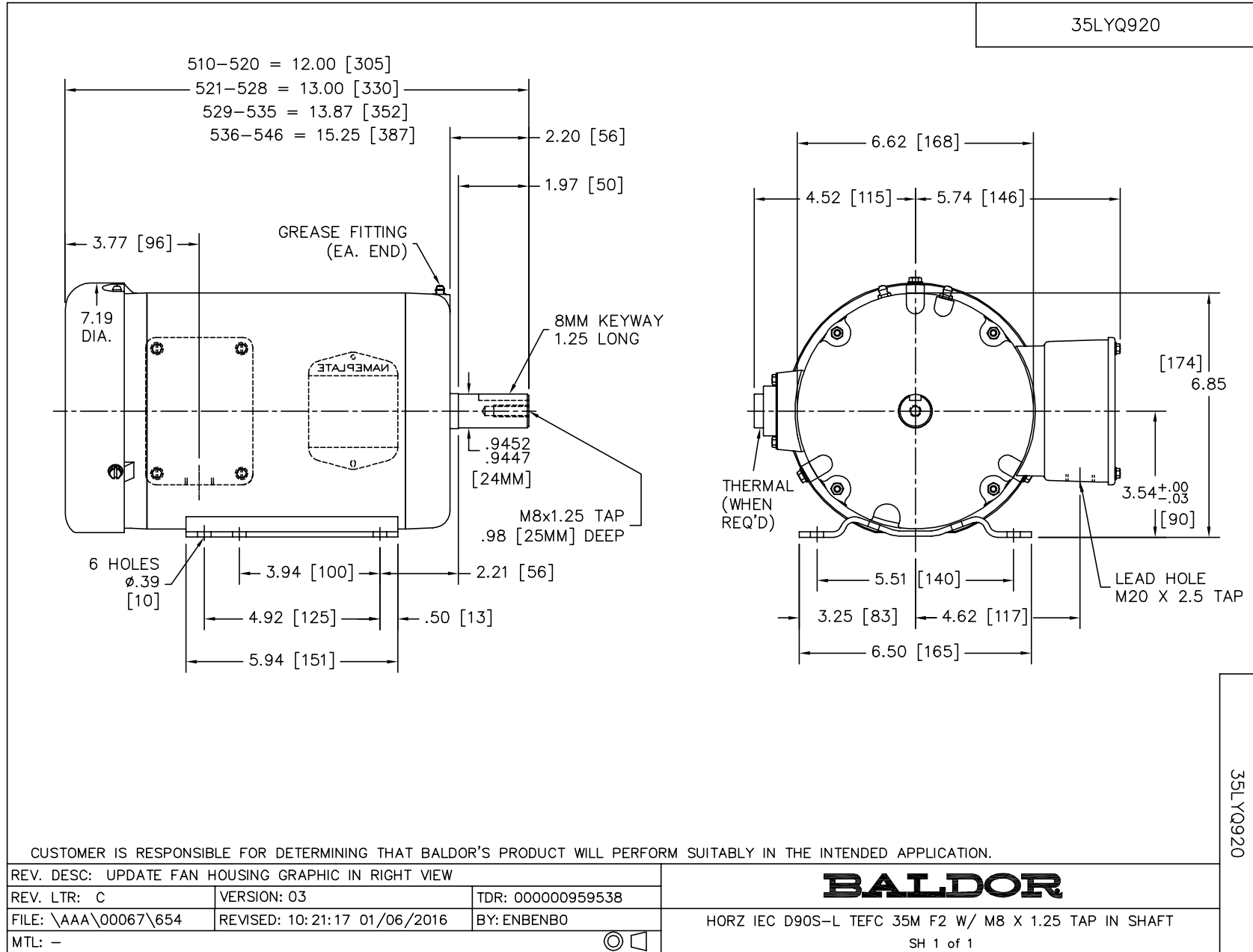
Nameplate Data				208 V, 60 Hz: Low Voltage Connection	
Rated Output (KW)	2.2			Full Load Torque	4.65 LB-FT
Volts	208-230/460			Start Configuration	direct on line
Full Load Amps	7.9-7.2/3.6			Breakdown Torque	16 LB-FT
R.P.M.	3450			Pull-up Torque	9.45 LB-FT
Hz	60	Phase	3	Locked-rotor Torque	14.9 LB-FT
NEMA Design Code	B	KVA Code	L	Starting Current	58.9 A
Service Factor (S.F.)	1.15			No-load Current	1.99 A
NEMA Nom. Eff.	86.5	Power Factor	92	Line-line Res. @ 25°C	1.17 Ω
Rating - Duty	40C AMB-CONT			Temp. Rise @ Rated Load	60°C
S.F. Amps				Temp. Rise @ S.F. Load	75°C
				Locked-rotor Power Factor	46.4
				Rotor inertia	0.0885 LB-FT <sup>2</sup>

Load Characteristics 208 V, 60 Hz, 2.2 KW

% of Rated Load	25	50	75	100	125	150	S.F.
Power Factor	71	87	92	94	95	94	95
Efficiency	86	89.1	88.4	86.7	84.4	81.5	85.3
Speed	3556	3518	3478	3434	3382	3322	3403
Line amperes	2.81	4.22	5.91	7.76	9.87	12.3	9.03

Performance Graph at 208V, 60Hz, 2.2KW Typical performance - Not guaranteed values

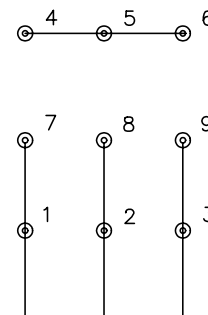




CD0005

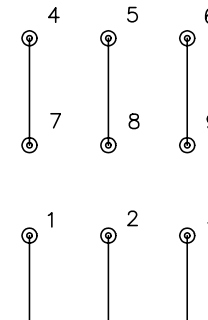


LOW VOLTAGE  
(2Y)



LINE

HIGH VOLTAGE  
(1Y)



LINE

NOTES:

1. INTERCHANGE ANY TWO LINE LEADS TO REVERSE ROTATION.
2. OPTIONAL THERMOSTATS ARE PROVIDED WHEN SPECIFIED.
3. ACTUAL NUMBER OF INTERNAL PARALLEL CIRCUITS MAY BE A MULTIPLE OF THOSE SHOWN ABOVE.
4. LEAD COLORS ARE OPTIONAL. LEADS MUST ALWAYS BE NUMBERED AS SHOWN.

REV. DESC: REVISE TO SHOW OPTIONAL COLORS			
REV. LTR: E	BY: JLP	REVISED: 01/19/99 10:15	TDR: 0171435
900000		FILE: AAA00005140	MDL: -
		MTL: -	

**BALDOR ELECTRIC Co.**

3PH, DV, 9 LEADS

CD0005