

BALDOR® • **RELIANCE**

Product Information Packet

GDL2333T

16HP, 1770RPM, 1PH, 60HZ, 256TZ, 0956LC, TEFC

Part Detail							
Revision:	E	Status:	PRD/A	Change #:		Proprietary:	No
Type:	AC	Prod. Type:	0956LC	Elec. Spec:	09WGT185	CD Diagram:	CD1084
Enclosure:	TEFC	Mfg Plant:		Mech. Spec:	09L657	Layout:	09LYL657
Frame:	256TZ	Mounting:	F1	Poles:	04	Created Date:	03-13-2015
Base:	RG	Rotation:	R	Insulation:	F	Eff. Date:	09-23-2016
Leads:	2#6 A PH,2#12 B PH					Replaced By:	
Literature:		Elec. Diagram:					

Nameplate NP1279L										
CAT.NO.	GDL2333T									
SPEC.	09L657T185G1									
HP	16									
VOLTS	208-230									
AMP	68-60									
RPM	1770									
FRAME	256TZ			HZ	60		PH	1		
SER.F.	1.00		CODE	E		DES	L		CL	F
NEMA-NOM-EFF	88.5		PF	96						
RATING	40C AMB-CONT									
CC							USABLE AT 208V			
DE	6309			ODE	6307					
ENCL	TEFC		SN							

Parts List		
Part Number	Description	Quantity
SA295942	SA 09L657T185G1	1.000 EA
RA281993	RA 09L657T185G1	1.000 EA
OC3050F09SP	CYL OIL CAP 50MFD/370V	2.000 EA
RE0045A12	RELAY,GE #CR453CC2BAA, 30 AMP	1.000 EA
EC1216C06SP	ELEC CAP, 216-259 MFD, 250V, 2.06D X 4.	4.000 EA
10FN2001A14	EXTERNAL FAN MACH 1.375 BORE (CAST ALUM)	1.000 EA
09CB3801A01	SPL CAPACITOR BOX ADAPTER	1.000 EA
09GS1003	ADAPTER GASKET MODEL 309 MOTORS	1.000 EA
10XN2520K16	1/4-20 X 1" HX HD SCRW GRADE 5, ZINC P	4.000 EA
HW1001A25	LOCKWASHER 1/4, ZINC PLT .493 OD, .255 I	4.000 EA
37CB3804A43	CONDUIT BOX MACH.	1.000 EA
37GS3015	GASKET, CAPAC BOX	1.000 EA
10XN2520K12	1/4-20 X.75 GRD 5	2.000 EA
10XN2520K10	1/4-20 X 5/8" HX HD SCRW.GRADE 5, XINC P	2.000 EA
HW1001A25	LOCKWASHER 1/4, ZINC PLT .493 OD, .255 I	4.000 EA
HA6003A45	CAPAC CLAMP - CLIP (WHITE ZINC PLATED)	2.000 EA
HA6003A47	CAPAC CLAMP	1.000 EA
HA7419	SPL BRACKET FOR MTG. CONTACT TO SINGLE P	1.000 EA
51XB1016A08	10-16X 1/2HXWSSLD SERTYB	2.000 EA
11XW1032G06	10-32 X .38, TAPTITE II, HEX WSHR SLTD U	1.000 EA
WD1000B25	GND LUG, BURNDY L125HP OR T&B L125HP-BB	1.000 EA
WD1000D90	T&B RC2577FM,90 DEG INSUL. FLAG TERMINAL	2.000 EA
51XW2520A12	.25-20 X .75, TAPTITE II, HEX WSHR SLTD	4.000 EA
51XW1032A06	10-32 X .38, TAPTITE II, HEX WSHR SLTD S	7.000 EA

Parts List (continued)		
Part Number	Description	Quantity
WD1000A03	41531 AMP FLG.TERM,4M/REEL(2.5MIL)	30.000 EA
WD1000D90	T&B RC2577FM,90 DEG INSUL. FLAG TERMINAL	1.000 EA
SP5165	MODEL 39 DOUBLE ARM STATIONARY SWITCH	1.000 EA
51XW0832A07	8-32 X .44, TAPTITE II, HEX WSHR SLTD SE	2.000 EA
NS2605	SWITCH INSULATOR 09 FRAME	1.000 EA
09EP1100A218	ENDPLATE, MACH	1.000 EA
HA1005A07	SLINGER, OD 2.25, ID 1.344, 307 BRG	1.000 EA
HW5100A08	W3118-035 WVY WSHR (WB)	1.000 EA
10XN2520K36	1/4-20 X 2.25" HX HD SCRWGRADE 5, ZINC P	4.000 EA
HW1001A25	LOCKWASHER 1/4, ZINC PLT .493 OD, .255 I	4.000 EA
09EP1101A144	PU ENDPLATE, MACH W/NO GREASER HOLES	1.000 EA
HW4600B44	V-RING SLINGER 1.500 X 1.810 X .28 VITON	1.000 EA
HW4600A51	SEAL 1.688 X 2.686 X 0.313 SINGLE LIP-CR	1.000 EA
HA3113A02	THRUBOLT 3/8-16 X 16.750	4.000 EA
XY3816A12	3/8-16 FINISHED NUT	4.000 EA
HW1001A38	LOCKWASHER 3/8, ZINC PLT .688 OD, .382 I	4.000 EA
09FH4000SP	FAN COVER, STAMPED	1.000 EA
HA2081A05	SPACER TUBE, 309 FAN HSG, 2.00 LONG	4.000 EA
XY3816A12	3/8-16 FINISHED NUT	4.000 EA
HW1001A38	LOCKWASHER 3/8, ZINC PLT .688 OD, .382 I	4.000 EA
37CB4509	CAPAC BOX LID, STAMPED	1.000 EA
37GS3016	GASKET, CAPAC BOX LID	1.000 EA
51XW0832A07	8-32 X .44, TAPTITE II, HEX WSHR SLTD SE	6.000 EA
HW2501G25	KEY, 3/8 SQ X 2.875	1.000 EA

Product Information Packet: GDL2333T - 16HP,1770RPM,1PH,60HZ,256TZ,0956LC,TEFC

LB1115N	LABEL,LIFTING DEVICE (ON ROLLS)	1.000 EA
HA4066A01	PUSH IN T-DRAIN FITTING (BLACK)	1.000 EA
MJ1000A02	GREASE, POLYREX EM EXXON (USe 4824-15A)	0.030 LB
HA4066A01	PUSH IN T-DRAIN FITTING (BLACK)	1.000 EA
80XN3816L08	3/8-16 X 1/2 SET SCREW W/NYLON PATCH	1.000 EA
MG1025C02	WILKOFASG SG, 787.105, TAN	0.050 GA
85XU0407S04	4X1/4 U DRIVE PIN STAINLESS	2.000 EA
LB1119N	WARNING LABEL	1.000 EA
LC0017	CONN LABEL-1 PHASE-SINGLE VOLT-REV ROTNO	1.000 EA
NP1279L	ALUM FARM DUTY UL CSA CC	1.000 EA
09PA1000	PACKAGING GROUP COMBINED PRINT	1.000 EA
MN416A01	TAG-INSTAL-MAINT no wire (1200/bx) 11/14	1.000 EA

AC Induction Motor Performance Data

Record # 52300 - Typical performance - not guaranteed values

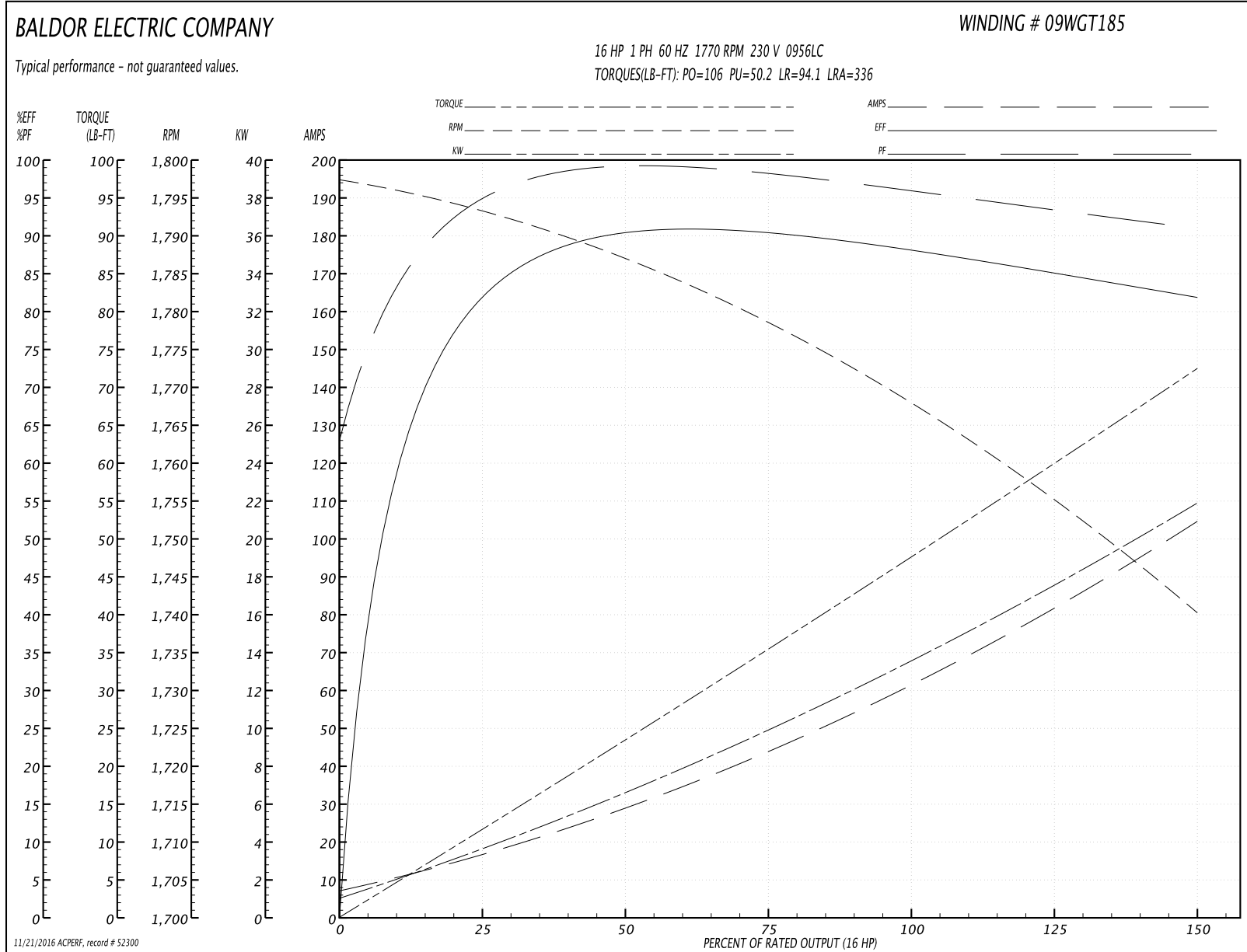
Winding: 09WGT185-R001	Type: 0956LC	Enclosure: TEFC
-------------------------------	---------------------	------------------------

Nameplate Data				230 V, 60 Hz: Single Voltage Motor	
Rated Output (HP)	16			Full Load Torque	47.3 LB-FT
Volts	208-230			Start Configuration	direct on line
Full Load Amps	68-60			Breakdown Torque	106 LB-FT
R.P.M.	1770			Pull-up Torque	50.2 LB-FT
Hz	60	Phase	1	Locked-rotor Torque	94.1 LB-FT
NEMA Design Code	L	KVA Code	E	Starting Current	336 A
Service Factor (S.F.)	1			No-load Current	6.37 A
NEMA Nom. Eff.	88.5	Power Factor	96	Line-line Res. @ 25°C	0.12023 Ω A Ph 0.36169 Ω B Ph
Rating - Duty	40C AMB-CONT			Temp. Rise @ Rated Load	75°C

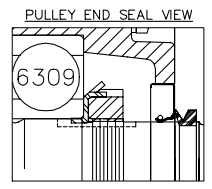
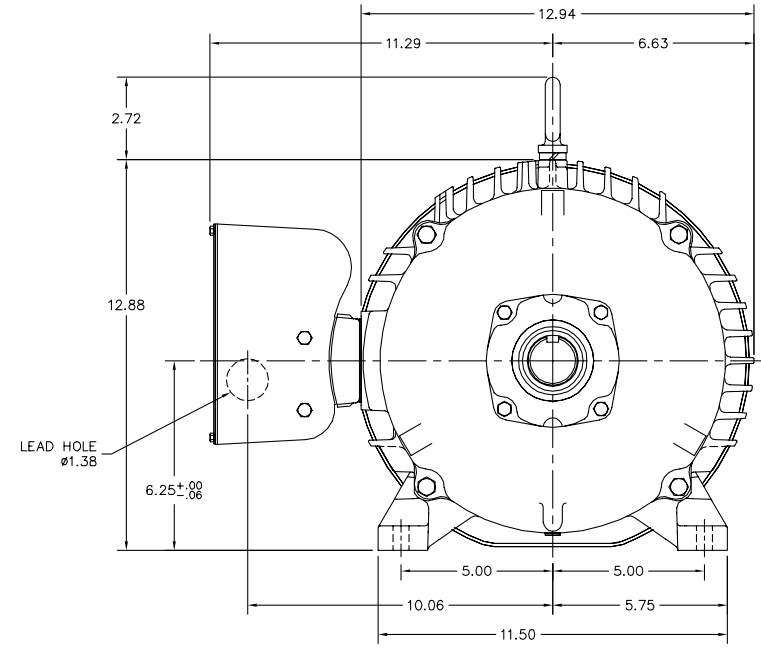
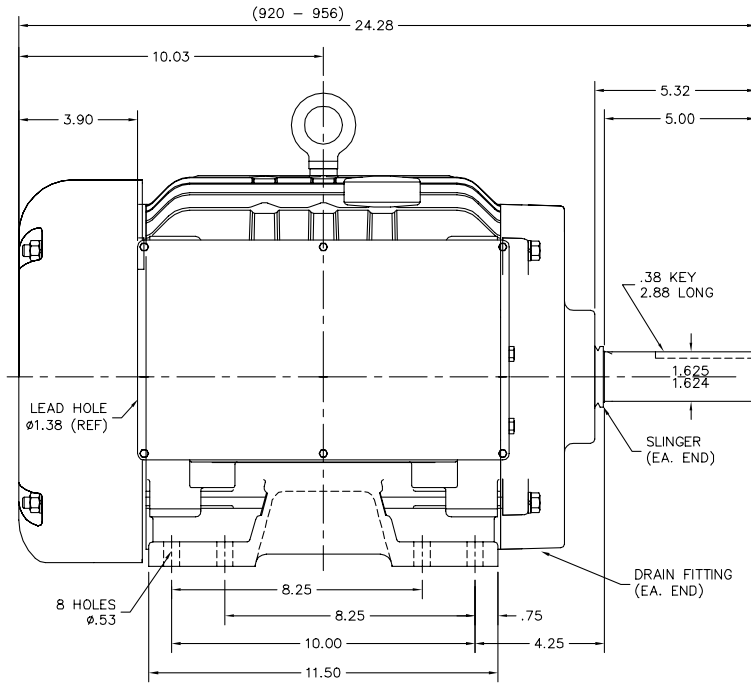
Load Characteristics 230 V, 60 Hz, 16 HP

% of Rated Load	25	50	75	100	125	150
Power Factor	95	98	97	96	94	91
Efficiency	79.3	88.3	90.3	88.9	86.3	81.2
Speed	1792.2	1785.4	1778.4	1769.3	1757.7	1738.5
Line amperes	17.1	30.3	44.1	60.4	79.4	106

Performance Graph at 230V, 60Hz, 16.0HP Typical performance - Not guaranteed values



09L YL657



CUSTOMER IS RESPONSIBLE FOR DETERMINING THAT BALDOR'S PRODUCT WILL PERFORM SUITABLY IN THE INTENDED APPLICATION.

REV. DESC: NEW	VERSION: 00	TDR: 000000896333
REV. LTR: -	REVISED: 10:43:05 03/13/2015	BY: ENNINDO
FILE: \AAA\00216\282		
MTL: -		

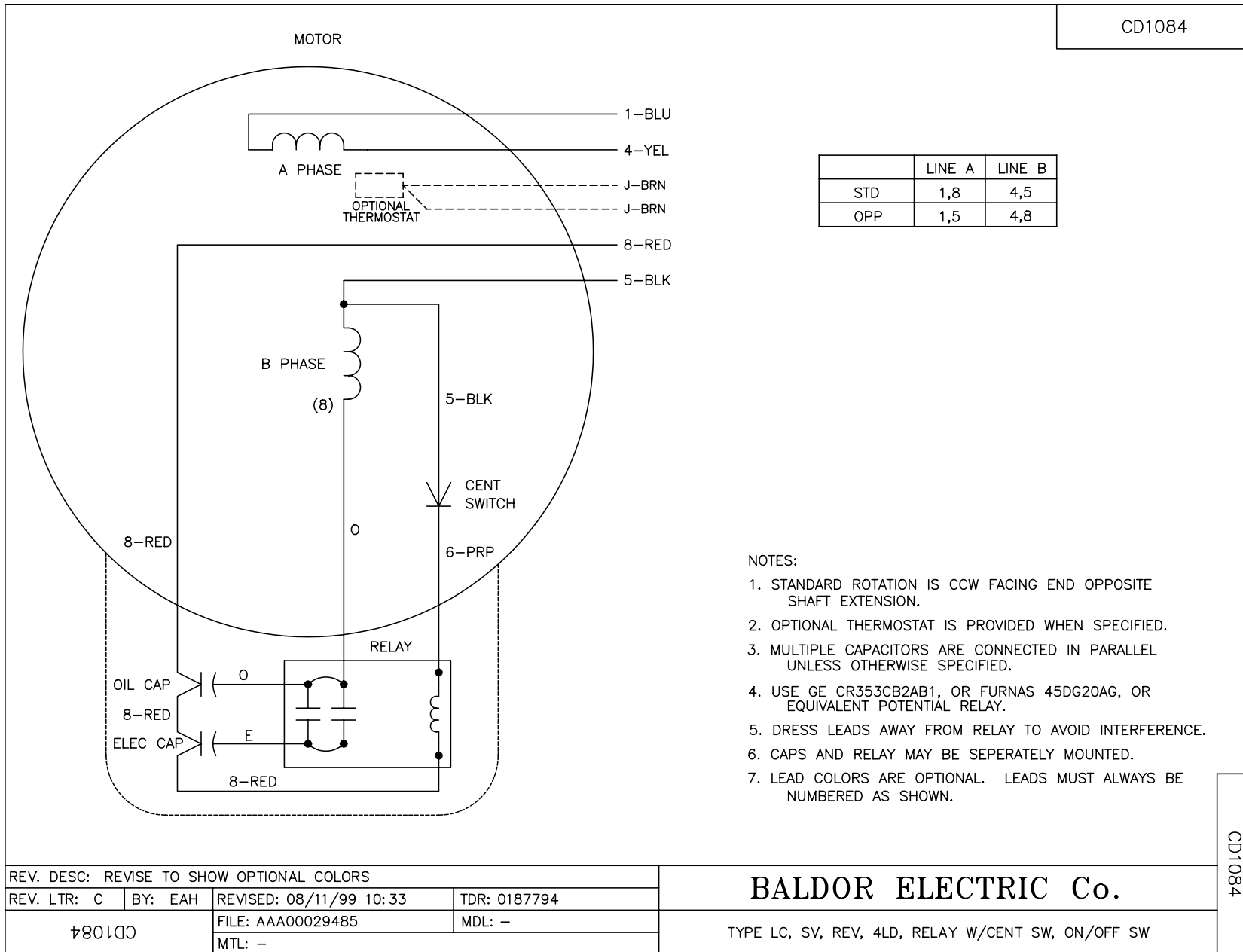
BALDOR

HOR TEFC 254-6TZ LC W/ROTATING SWITCH,SLD BRGS,LIP SEAL,4 PL

SH 1 of 1

09L YL657

CD1084



CD1084

REV. DESC: REVISE TO SHOW OPTIONAL COLORS			
REV. LTR: C	BY: EAH	REVISED: 08/11/99 10:33	TDR: 0187794
†8010C		FILE: AAA00029485	MDL: -
		MTL: -	

BALDOR ELECTRIC Co.

TYPE LC, SV, REV, 4LD, RELAY W/CENT SW, ON/OFF SW