

# **BALDOR**® • *RELIANCE*

## **Product Information Packet**

# **IDFRPM28604**

**60HP, 1750/3550, 3PH, FL2890, TEFC, FT**

Part Detail							
Revision:	-	Status:	PRD/A	Change #:		Proprietary:	No
Type:	AC	Prod. Type:		Elec. Spec:	L4050A	CD Diagram:	422927-001
Enclosure:	TEFC	Mfg Plant:		Mech. Spec:		Layout:	617245-001
Frame:	FL2890	Mounting:	F3	Poles:	04	Created Date:	04-22-2015
Base:		Rotation:	R	Insulation:	H	Eff. Date:	04-22-2015
Leads:						Replaced By:	
Literature:		Elec. Diagram:					

		DUTY	HP	RPM	AMPS	VOLTS	HZ		
	CONT		60	1785	76	460	60		
	CONT		60	3565	72	460	120		
<b>CAT.NO.</b>	IDFRPM28604			<b>SPEC. NO.</b>		P28T0305			
<b>SER.NO.</b>				<b>FR</b>	FL 2890	<b>INSUL</b>	H		
<b>PH.</b>	3	<b>MAX SAFE SPEED</b>		5000	<b>AMB.</b>	40	<b>MIN. AMB.</b> -25		
<b>DESIGN NO.</b>	L4050A			<b>TYPE</b>		<b>ENCL.</b>	TEFC		
<b>S.F.</b>	1.0			<b>D.E. BRG.</b>	75BC02J30X				
<b>ENCL MOD</b>				<b>O.D.E. BRG.</b>	55BC02J30X				

Parts List		
Part Number	Description	Quantity
WS290319	WS P28T0305	1.000 EA
RA286517	RA P28T0305	1.000 EA
000692000FP	NP, WARNING LIFT INSTRUCTIONS	1.000 EA
000692000VD	LABEL WARNING	1.000 EA
418018122A	LABEL	2.000 EA
418057747A	METAL FASTENER	8.000 EA
000613006MY	NP-RPMAC INVERTER DUTY	1.000 EA
422927001	C/D LABEL	1.000 EA
807583004AAB	BRKT,ODE,FL280	1.000 EA
807583003AAA	BRKT,DE,FL280	1.000 EA
602018077A	DRAIN	1.000 EA
602018077A	DRAIN	1.000 EA
004824015A	GREASE POLYREX EM	0.300 LB
036600014AB	FLTW MOTOR MTG.	2.000 EA
400638001G	WAVEN	1.000 EA
418150003A	GREASE FITTING CAP	2.000 EA
035000001A	ALFTG 1/8" 1610-BL	1.000 EA
035000001A	ALFTG 1/8" 1610-BL	1.000 EA
036100070KA	METRIC HSHCS	3.000 EA
036100070JA	HSHCS M8 70MM UNPLATED	3.000 EA
036140001D	EYEBOLT - 360	2.000 EA
034693001AB	PPLG - G508- use 034692001AB	1.000 EA
034693001AB	PPLG - G508- use 034692001AB	1.000 EA
036500011AB	METRIC NUT M12-1.75 PLT.	4.000 EA

Parts List (continued)		
Part Number	Description	Quantity
036500011AB	METRIC NUT M12-1.75 PLT.	4.000 EA
609830005G	TBOLT VERSION 3	4.000 EA
415000103G	TLUG	1.000 EA
415072001B	CLAMP	1.000 EA
417733004AA	GASKET	2.000 EA
034180014GA	KEY 1/2X1/2X1-3/4 L	1.000 EA
078549001SA	(006) FAN	1.000 EA
708535012A	FAN COVER FL280	1.000 EA
034630001AJ	1/8" PIPE COUPLING	2.000 EA
708535010A	FAN COVER FL280	1.000 EA
708533003A	PLATE, BTM FAN/BLOWER	2.000 EA
036321020HB	HEXSOCKET FLAT SCREW M	3.000 EA
036000016KB	HHCSM10-1.5X16MM PLTD-280	2.000 EA
418057373A	SCREW SHEET METAL	11.000 EA
418018074A	GROUND LABEL G100 METRIC 160 D.C.	3.000 EA
034530018AB	P/NIP 1/8X2-1/4L PLATED	2.000 EA
406673002AE	2" CAP PLUG	1.000 EA
036620009AB	M8 EXTERNAL LK WASHER	1.000 EA
036620010AB	M10 EXT. TOOTH LK WASHER	2.000 EA
706320009A	CB, 2.00 CONDUIT, METRIC, SHEET METAL	1.000 EA
074875000A	CONDUIT BOX COVER	1.000 EA
402731000A	GASK 320-400	1.000 EA
036000012HB	HHCS M6X12MM LONG PLATED	4.000 EA
036000025JB	HHCS M8X25MM LONG PLATED	4.000 EA

Product Information Packet: IDFRPM28604 - 60HP, 1750/3550, 3PH, FL2890, TEFC, FT

034180032HA	KEY 5/8X5/8X4 L bin stocked	1.000 EA
000640000P	TAG WINDING THERMOST	1.000 EA
004824007K	SPECIAL PAINT	0.100 EA

REL. S.O.	-	VOLTS	460	ENCLOSURE	TEFC	WYE CONN EQ CKT OHMS PER PHASE (AT BASE RATING, 25 °C)
FRAME	FL2890	AMPS	75	MAX SAFE RPM	4800	
HP	60	DUTY	CONT	IM (AMPS)	36	R1 .0405 X1 .287
BASE SPEED	1785	S.F.	1.0	P.F. @NL/FL	.042/.801	R2 .0261 X2 .419
PHASE/HERTZ	3/60	AMB °C/INSUL	40/H	WK <sup>2</sup> (LB-FT <sup>2</sup> )	9.7	XM 7.25

**RATED FULL LOAD DATA**

	RPM	HP	TORQUE LB-FT	FUND VOLTS	FREQ-HZ	AMPS
BASE SPEED	1784	60.0	177	460	60	75.4
MAX SPEED	3562	60.0	88	460	120	74.1
MIN SPEED	0	0	177	8.82	.541	75.4


**LOAD PERFORMANCE AT BASE SPEED**

	RPM	HP	TORQUE LB-FT	FUND VOLTS	FREQ-HZ	AMPS
NO LOAD	1800	0	0	460	60	35.5
1/4	1796	15.0	44	460	60	40.0
1/2	1792	30.0	88	460	60	49.2
3/4	1788	45.0	132	460	60	61.5
FULL LOAD	1784	60.0	177	460	60	75.4
O/L	1765	119	353	460	60	140

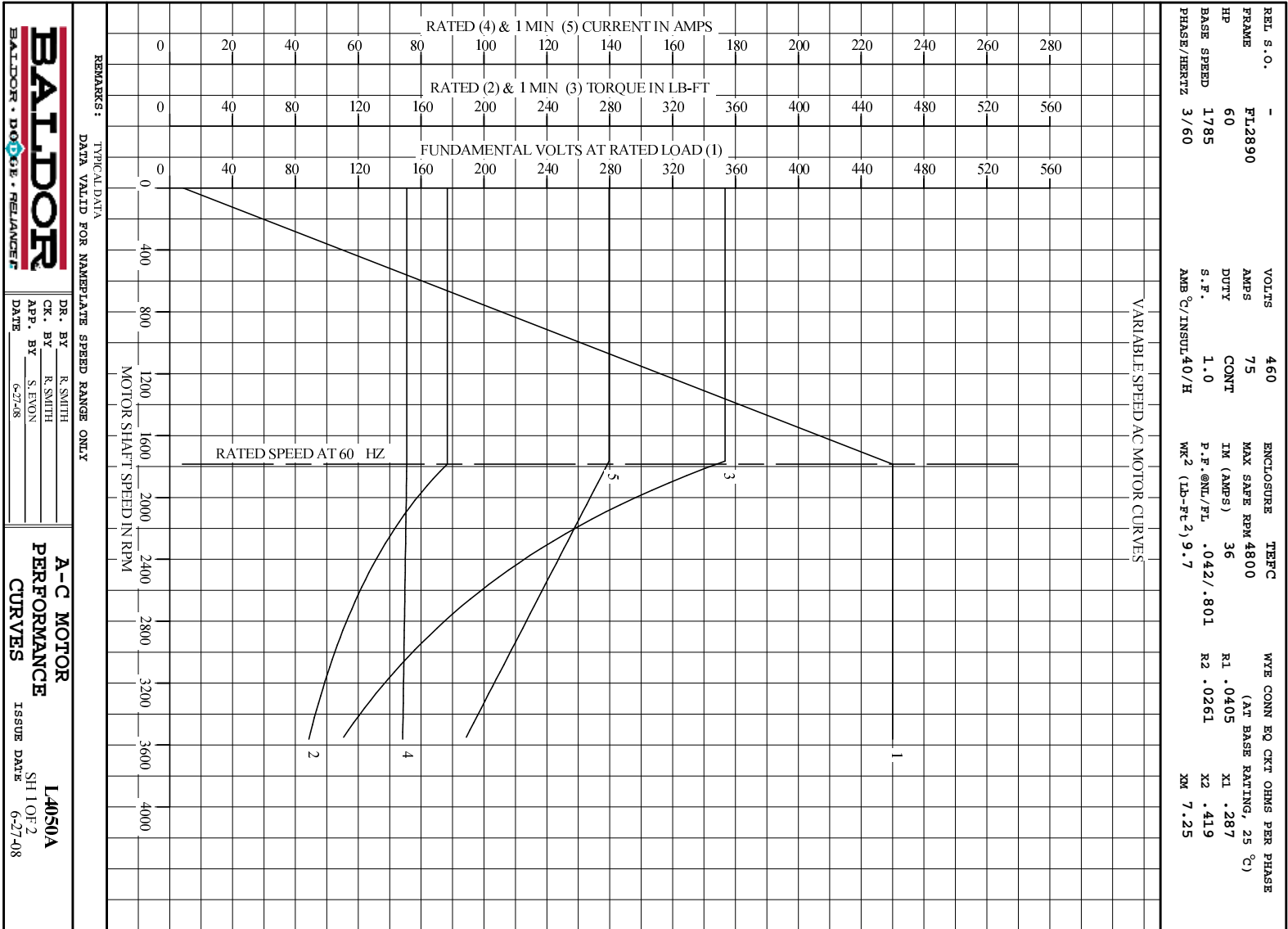
**BLOWER  
DATA**

VOLTS	PH/HZ	FL AMPS	LR AMPS	FRAME	CFM

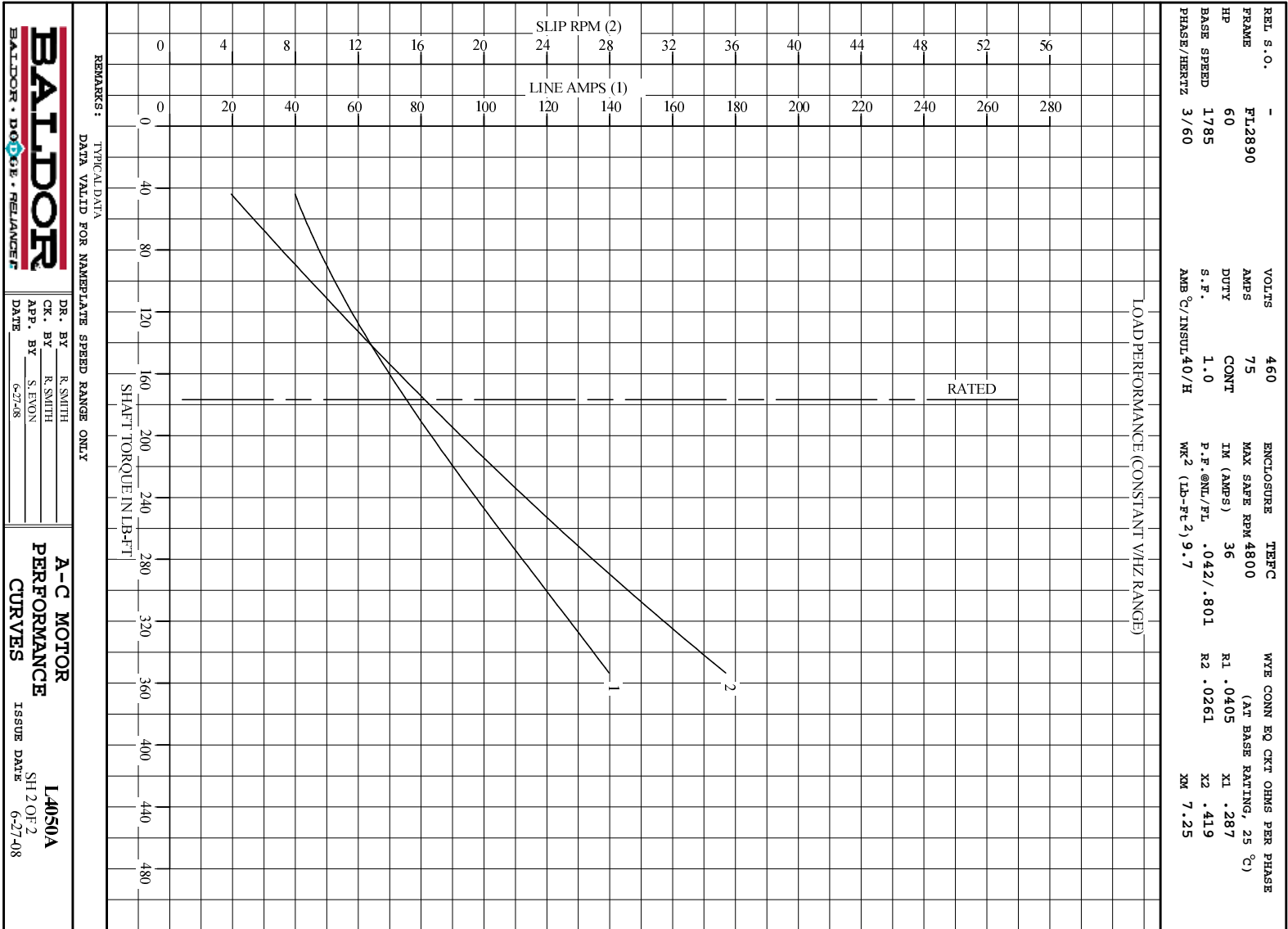
REMARKS: TYPICAL DATA

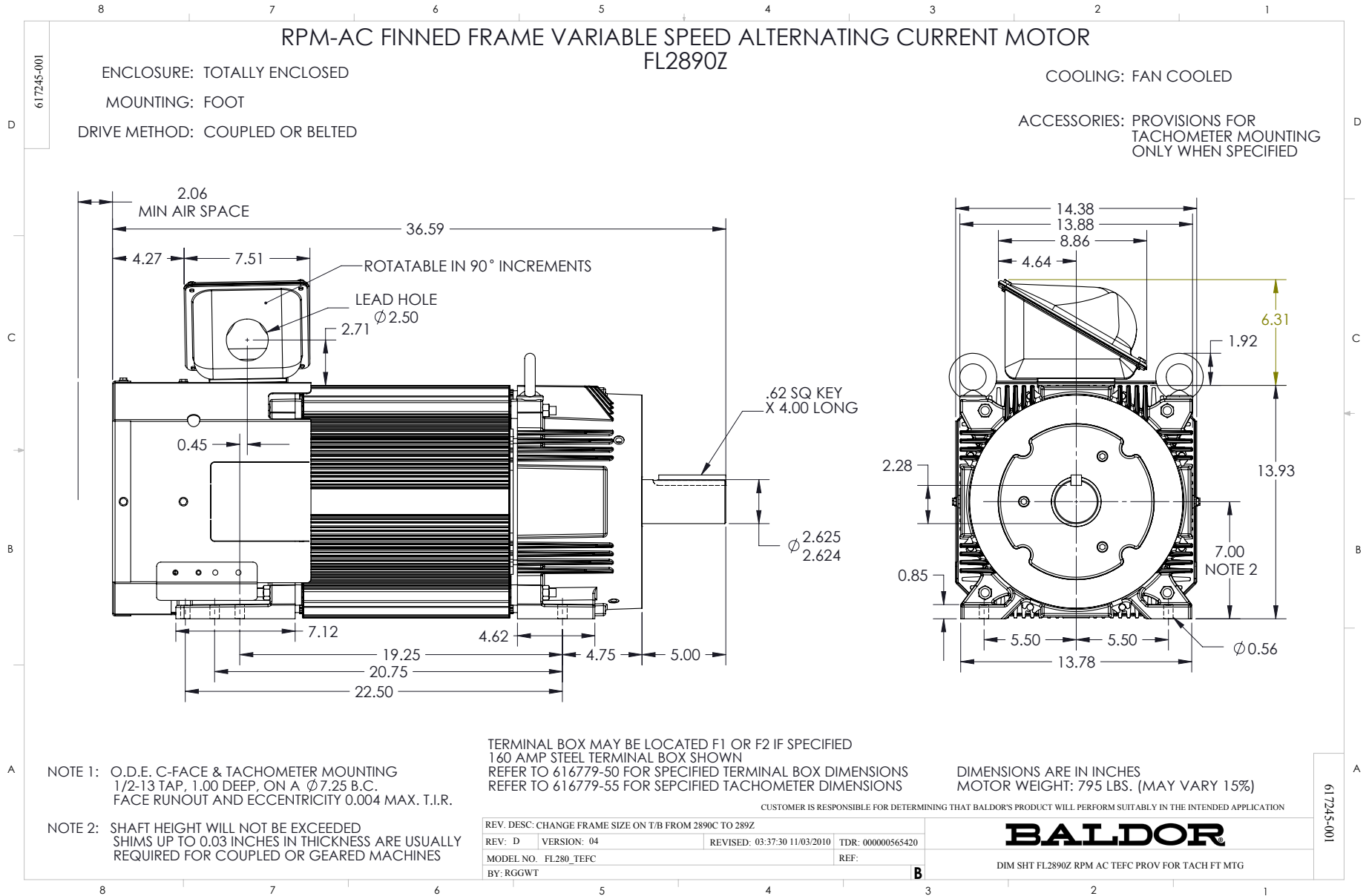
	DR. BY	R. SMITH	<b>A-C MOTOR PERFORMANCE DATA</b>
	CK. BY	R. SMITH	
	APP. BY	S. EVON	<b>L4050A</b> ISSUE DATE 6-27-08
	DATE	6-27-08	

1



1



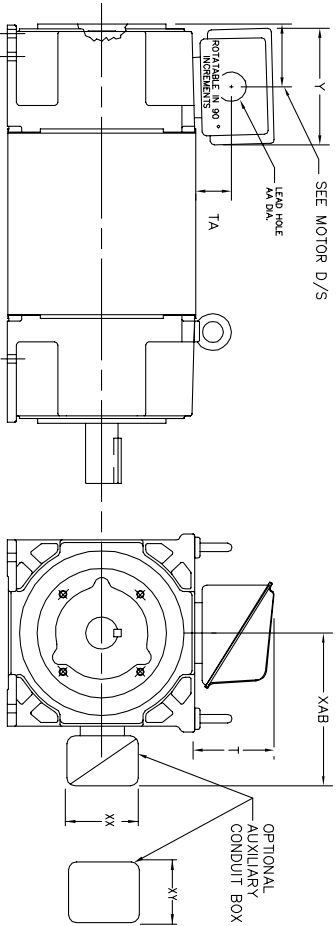


618779-050

# INDUSTRIAL ALTERNATING CURRENT MOTORS

## RPM AC

STEEL, CAST IRON, MILL AND TERMINAL BOARD CONDUIT BOX DIMENSIONS  
 NEMA FRAMES FL210 thru RL280 and IEC FRAMES RDL132 thru RDL180  
 NEMA FRAMES FL180 thru FL280 and IEC FRAMES FDL112 thru FDL180



TERMINAL BOX	Y	TA	T	AA	MAX AMP	REMARKS
706310-63B	14.39	7.43	12.15	--	400	TERMINAL STRIP
706310-226R	9.00	3.06	5.40	Pg36 & Pq16	160	TERMINAL STRIP
706310-225R	7.25	2.30	4.40	Pg29 & Pq16	100	TERMINAL STRIP
706310-56B	9.00	3.06	5.40	Pg36 & Pq16	160	TERMINAL STRIP
706310-56A	7.75	2.30	4.40	Pg29 & Pq16	100	TERMINAL STRIP
706320-14D	15.00	7.56	12.81	5	510	CAST IRON
706320-13A	10.50	4.88	9.00	4.0 TAP	210	CAST IRON
706320-12B	9.25	4.81	8.56	3	140	CAST IRON
75460-62B	7.25	2.50	5.25	1.5 TAP	110	CAST IRON
706320-4C	5.75	2.38	4.38	1.0 TAP	60	CAST IRON FL180 ONLY
706310-3E	16.00	4.40	7.81	3	590	MILL
706310-3X	8.00	2.38	5.00	--	160	MILL
702658-1G	14.62	7.56	12.70	5	500	STEEL
706320-16A	9.00	4.12	8.44	4.59	305	STEEL
706320-9A	7.25	3.50	7.06	2.50	160	STEEL
75454-1AJ	7.69	2.38	5.25	1.94	121	STEEL
75452-B	6.34	2.00	4.12	1.75	61	STEEL
75452-G	6.34	2.00	4.12	--	61	SPECIAL
706320-5A	6.12	2.38	4.38	1.75/2.00	75	STEEL FL180 ONLY
706320-3A	5.00	1.62	3.00	1.12	40	STEEL FL180 ONLY
706320-7A	7.62	2.00	7.00	2.5/3.0	208	STEEL FL180 ONLY

FRAME SIZE	XAB	OPTIMAL AUXILIARY CONDUIT BOX DIMENSIONS (MAXIMUM)				PART NUMBER			
		XX	XY	XX	XY				
FL210/FL132/RL210/RL132	7.38	4.25	4.25	6.0200-26-A	FL210/FL132/RL210/RL132	10.88	8.00	8.00	706310-3-B
FL230/FL180/RL230/RL180	8.44	4.23	4.23	6.0200-26-A	FL230/FL180/RL230/RL180	11.88	8.00	8.00	706310-3-B
FL280/FL180/RL280/RL180	9.12	4.23	4.23	6.0200-26-A	FL280/FL180/RL280/RL180	12.62	8.00	8.00	706310-3-B

- (1) 'AA' CONDUIT
- (2) 'AA' PIPE TAP
- (3) CUSTOMER TO PROVIDE HOLE FOR CONDUIT.
- (4) 'E' ON 'SA' OR 'I' TAP ON '4C'

TERMINAL BOX CAN BE ROTATED FOR LEAD OUTLET AT TOP, SIDES OR BOTTOM.  
 TERMINAL BOX LOCATED ON OPPOSITE SIDE WHEN F-2, W-1, W-4, W-5, W-7,  
 OR C-1 MOUNTING IS SPECIFIED. BOX LOCATED ON TOP WHEN SPECIFIED.

050-60-671919

CUSTOMER IS RESPONSIBLE FOR DETERMINING THAT BALDOR'S PRODUCT WILL PERFORM SUITABLY IN THE INTENDED APPLICATION.

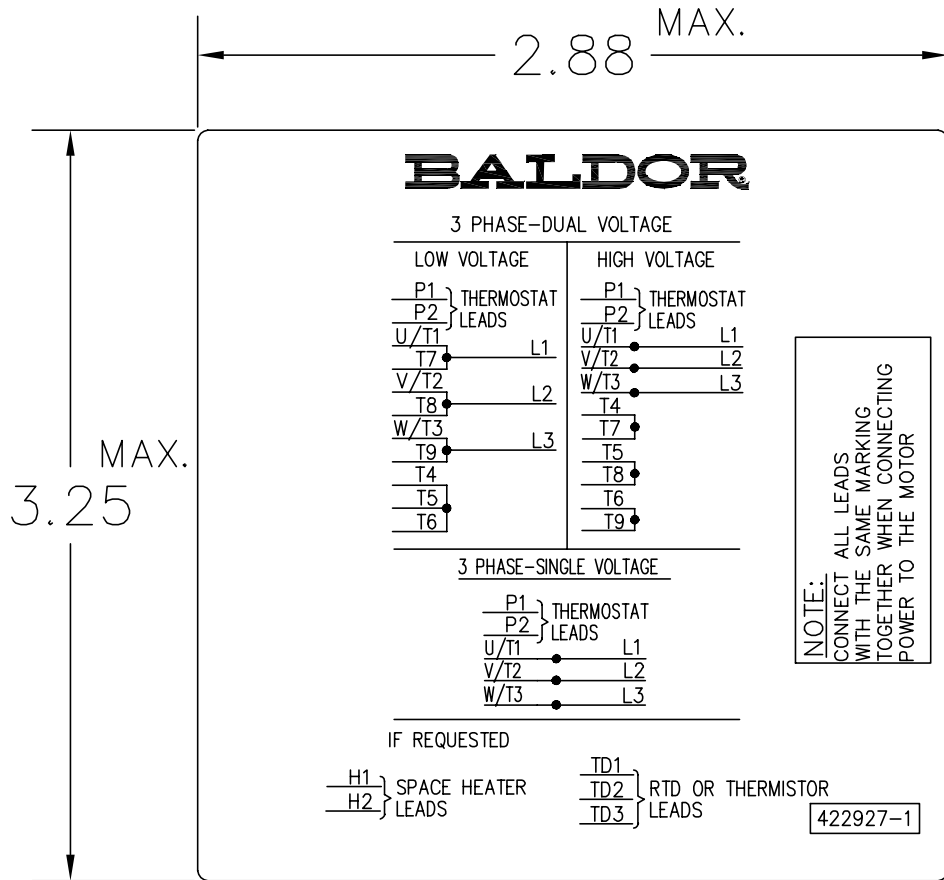
REV. DESC: BOX # 706320-9A, CHANGE AA DIM FROM 2 TO 2.50	TDR: 000000785386
REV. LTR: C	VERSION: 03
FILE: \RGG\00003\692	REVISED: 08:40:55 02/11/2013
MTL: -	BY: RGGWT

**BALDOR**

DIM SHT NEMA RL210-RL280 FL180-FL280 IEC RDL132-RDL180

SH 1 of 1

422927-001



NOTE:  
DATA TO BE SIZED  
SO THAT IT FITS INTO  
MATERIAL DECAL  
DIMENSIONS. MAKE  
LETTERS & NUMBERS  
AS LARGE AS POSSIBLE.

MATERIAL: CERAMATIC DGF-P4  
PERMA GRIP ADHESIVE

ALL LETTERS, NUMBERS  
AND LINES TO BE BLACK  
ON WHITE BACKGROUND.

422927-001

REV. DESC: CHANGE BACKGROUND COLOR FROM GOLD TO WHITE		
REV. LTR: B	VERSION: 02	TDR: 00000788708
FILE: \RGG\00000\203	REVISED: 08:09:29 03/04/2013	
MTL: -	BY: RGGWT	

**BALDOR**

EXTERNAL CONNECTION LABEL

SH 1 of 1

Marketing maintained PDF of MN406:

<http://www.baldor.com/support/Literature/Load.ashx/MN406?ManNumber=MN406>