

# **BALDOR**® • *RELIANCE*

## **Product Information Packet**

# **IDGM2512**

**G.M. S12EA 230V AC 180:1 9.3 RPM**

Part Detail							
Revision:	D	Status:	PRD/A	Change #:		Proprietary:	No
Type:	AC	Prod. Type:	2512M	Elec. Spec:	25WGW500	CD Diagram:	CD0006A16
Enclosure:	TENV	Mfg Plant:		Mech. Spec:		Layout:	25E987W500G1
Frame:	EB	Mounting:		Poles:	04	Created Date:	10-04-2013
Base:		Rotation:	R	Insulation:	F	Eff. Date:	07-26-2016
Leads:	3#18					Replaced By:	
Literature:		Elec. Diagram:					

Nameplate NP1598A15							
CAT.NO.	IDGM2512	SER.NO					
SPEC.	25E987W500G1						
VOLTS	230						
MAG CUR	.4	SL HZ	4				
RPM	1680	RPM MAX	2677				
HP	.08HP	HZ	60	PH	3	CLASS	F
FLA	.43	WK2	0.0046				
RATING	40C AMB-CONT						
RATIO	180:1	OUT/RPM	9.3				
TORQ/IN LB	175						
VTSR	6:1						
APRV-CSA	<input type="checkbox"/>	APRV-UL	<input type="checkbox"/>				

Parts List		
Part Number	Description	Quantity
SA270883	SA 25E987W500G1	1.000 EA
RA257512	RA 25E987W500G1	1.000 EA
SR002252	SR 25E987W500G1	1.000 EA
WR000492	WR 25E987W500G1	1.000 EA
LC0006	CONNECTION LABEL	1.000 EA
25EP3100A16G	EP,25AC DE CL 60R8 RA 2.375 BC	1.000 EA
HW5002A44	N5002-112 RET RING INTERNBEVELED F/6001	1.000 EA
HW4600G69	SEAL .500 X 1.125 X .25, SGL LIP FT802	1.000 EA
RM1057	RUBBER SQUARE RING 1.424 I.D.	1.000 EA
HW3082B05	5/64 X 1/2 GROOVE PIN TYPE A,THRU HARDEN	1.000 EA
MJ5019A01	ADHESIVE LOCTITE #680 WAS BAD4525	0.001 EA
24CB3000A	CONDUIT BOX - MODEL 24	1.000 EA
XY0632A04	NUT, #6-32 ACORN, HIGH CROWN	1.000 EA
XY0632A05	NUT, #6-32 SELF LOCKING	2.000 EA
24CB3500A	CONDUIT BOX LID W/BALDOR LOGO	1.000 EA
15XP0619A08	#6-19X1/2 PAN HD PHILLIPS PLASTITE 48-2	4.000 EA
25EP2101A12G	EP,25AC ODE CL NONE W/ GREY POWDER COATI	1.000 EA
HW5109A08	WASHER, WAVE SPRING FOR 30MM BORE SMALLE	1.000 EA
51XT0832G05	SCREW,HEX HD 8-32 X 5/16 GRN.	1.000 EA
HA3170A04A01	THRUBOLT,FLAT HD.#8-32, CUT TO 5.125"	2.000 EA
HG0062A08G	HSG,EB EX OPEN .720 OUTPUT 4 HOLE M	1.000 EA
19XN1032A12	SCREW, HEX WASHER HEAD, #10-32 X .750	4.000 EA
HW4600G59	SEAL,.625" X .875" VITON VT802	1.000 EA
BH1168A01	10SF10 SLEEVE BRG, .625 ID X .625 WIDE	1.000 EA

Parts List (continued)		
Part Number	Description	Quantity
60XM0832A08	SCREW, PAN TORX 8-32X.500 THREAD FORMING	4.000 EA
BH1104	PAPZ0808-P14 SLEEVE BRG	1.000 EA
60XM0832A08	SCREW, PAN TORX 8-32X.500 THREAD FORMING	3.000 EA
HA1194B02	BLADDER,BDE EXPANSION	1.000 EA
15XM0632A06	SCREW, 6-32X .375, THREAD FORMING	3.000 EA
BCG5491-001G	HSG,B CAP STD CLOSED	1.000 EA
BH1104	PAPZ0808-P14 SLEEVE BRG	1.000 EA
RM1078	RUBBER SQUARE RING 1.864 I.D.	1.000 EA
BCG1120-004G	CAP, "E" BOX	1.000 EA
BH1168A01	10SF10 SLEEVE BRG, .625 ID X .625 WIDE	1.000 EA
RM1098A02	RUBBER SQUARE RING TS-000-036 2.375 I.D.	1.000 EA
HW4600G59	SEAL,.625" X .875" VITON VT802	1.000 EA
25BA4001G	BASE,STAMPED, FOR "E" GBX	1.000 EA
10XN2520A08	1/4-20X1/2 HEX HEAD CAP	4.000 EA
HW1001A25	LOCKWASHER 1/4, ZINC PLT .493 OD, .255 I	4.000 EA
MJ1000A51	MOBILITH SHC007 WORM GEAR LUBE BLU4968	0.260 LB
HW2501D06	KEY, 3/16 SQ X 0.750	2.000 EA
ME4000	.375-.75" DIA.#SW-04 WOVEN SHAFT PROTECT	0.166 FT
NP1598A15	NP,AC INV AD NONE V CSA UL GEAR MO VTSR	1.000 EA
LB1451	WARNING LABEL, CE WARNING SYMBOLS ONLY	1.000 EA
MN416A01	TAG-INSTAL-MAINT no wire (1200/bx) 11/14	1.000 EA
CPA1000	PACKING GROUP STD. SINGLE	1.000 EA

**AC Induction Motor Performance Data**

Record # 45276 - Typical performance - not guaranteed values

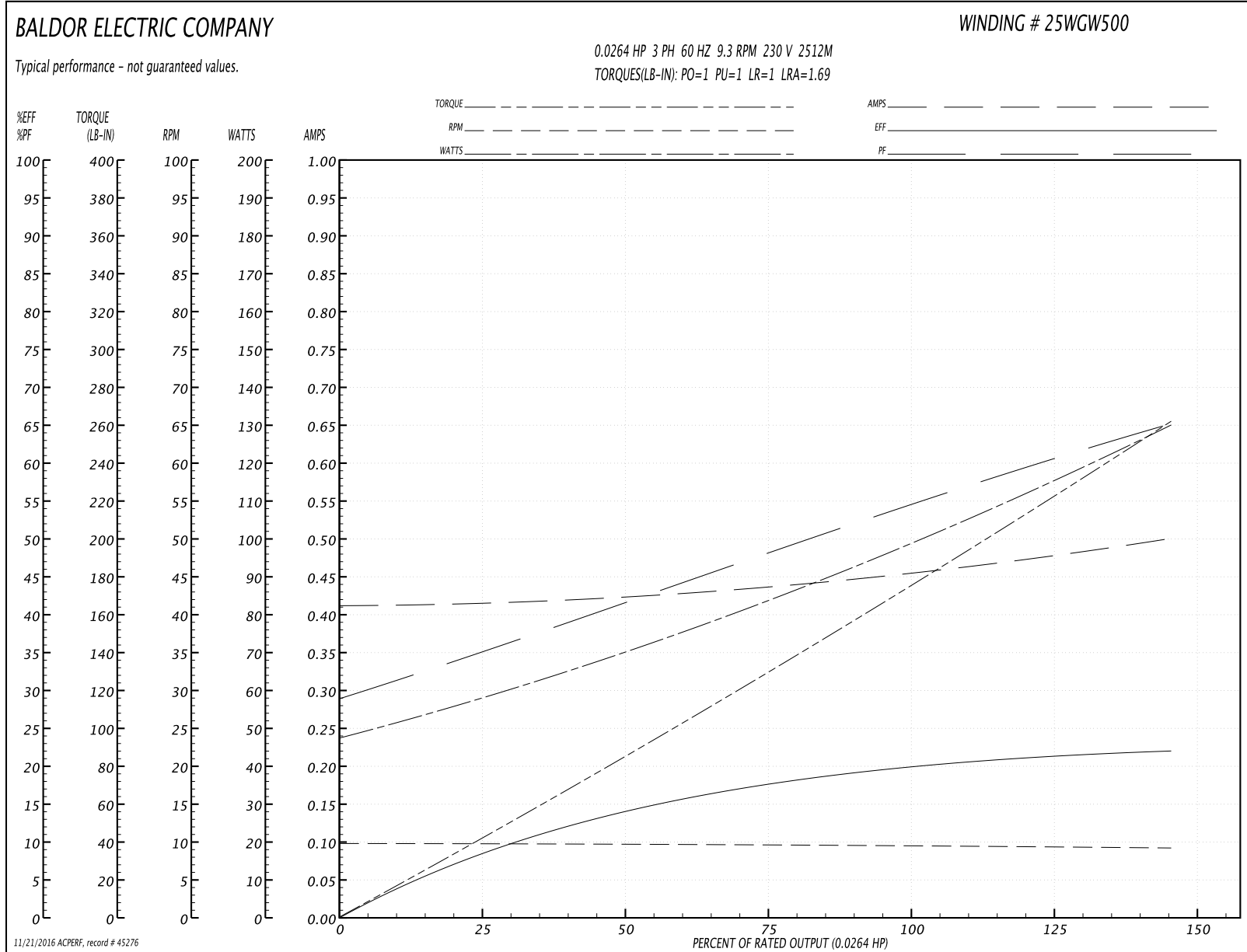
<b>Winding:</b> 25WGW500-R003 <b>Gear Type:</b> RIGHTANGLE	<b>Type:</b> 2512M <b>Gear Style:</b> EB	<b>Enclosure:</b> TENV <b>Gear Ratio:</b> 180:1
---	---	--

Nameplate Data				230 V, 60 Hz: Single Voltage Motor	
Rated Output (HP)	.08			Full Load Torque	175 LB-IN
Volts	230			Start Configuration	direct on line
Full Load Amps	.43			Breakdown Torque	1 LB-IN
R.P.M.	9.3			Pull-up Torque	1 LB-IN
Hz	60	Phase	3	Locked-rotor Torque	1 LB-IN
NEMA Design Code	-	KVA Code	K	Starting Current	1.69 A
Service Factor (S.F.)	1			No-load Current	0.41 A
NEMA Nom. Eff.	57.5	Power Factor	58	Line-line Res. @ 25°C	80.058 Ω
Rating - Duty	40C AMB-CONT			Temp. Rise @ Rated Load	

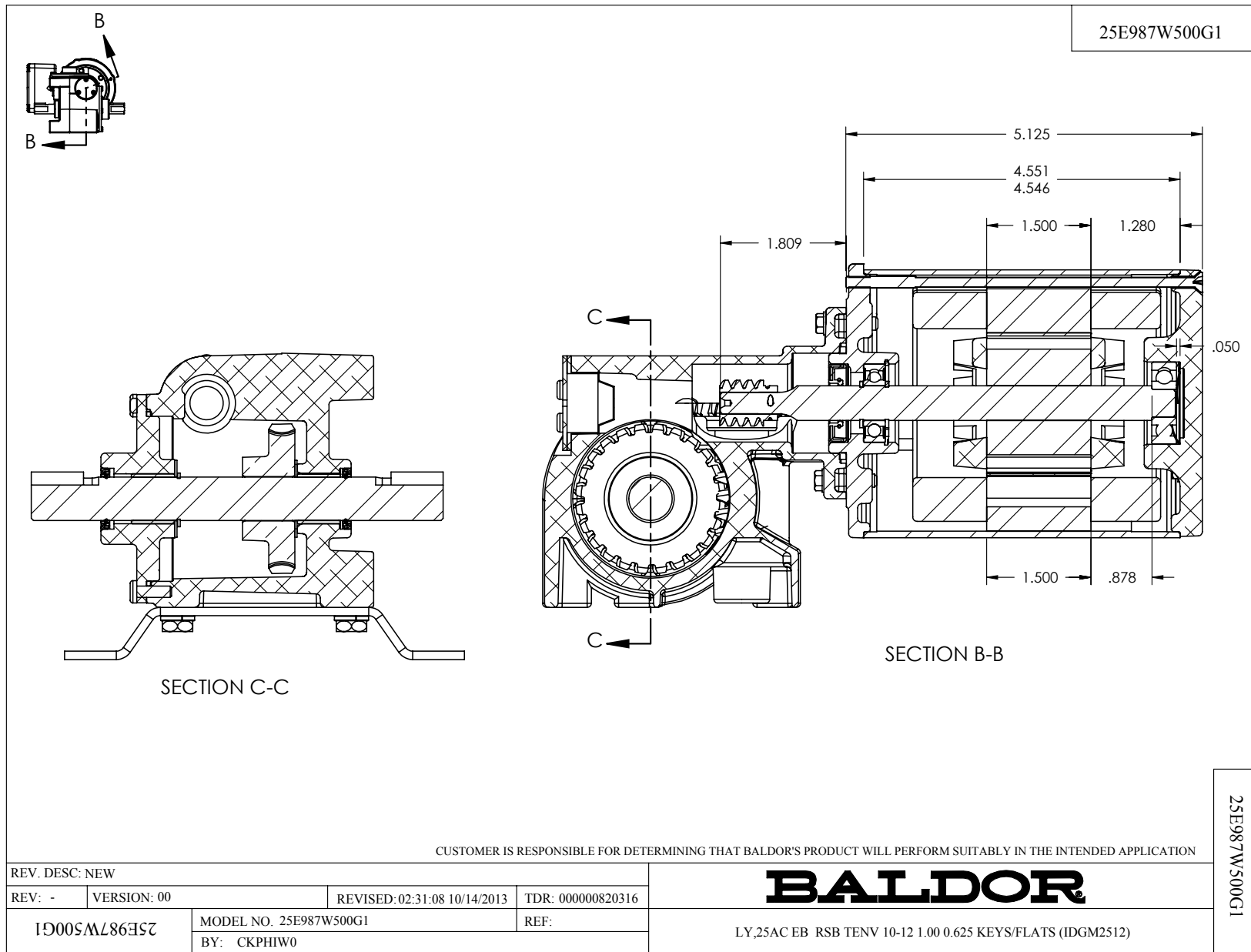
Load Characteristics 230 V, 60 Hz, 0.0264 HP

% of Rated Load	25	50	75	100	125	150
Power Factor	34	42	48	55	60	65
Efficiency	9	14.3	17.5	20	21	22.1
Speed	9.8	9.7	9.6	9.5	9.4	9.2
Line amperes	0.42	0.42	0.44	0.45	0.48	0.5

Performance Graph at 230V, 60Hz, 0.0264HP Typical performance - Not guaranteed values



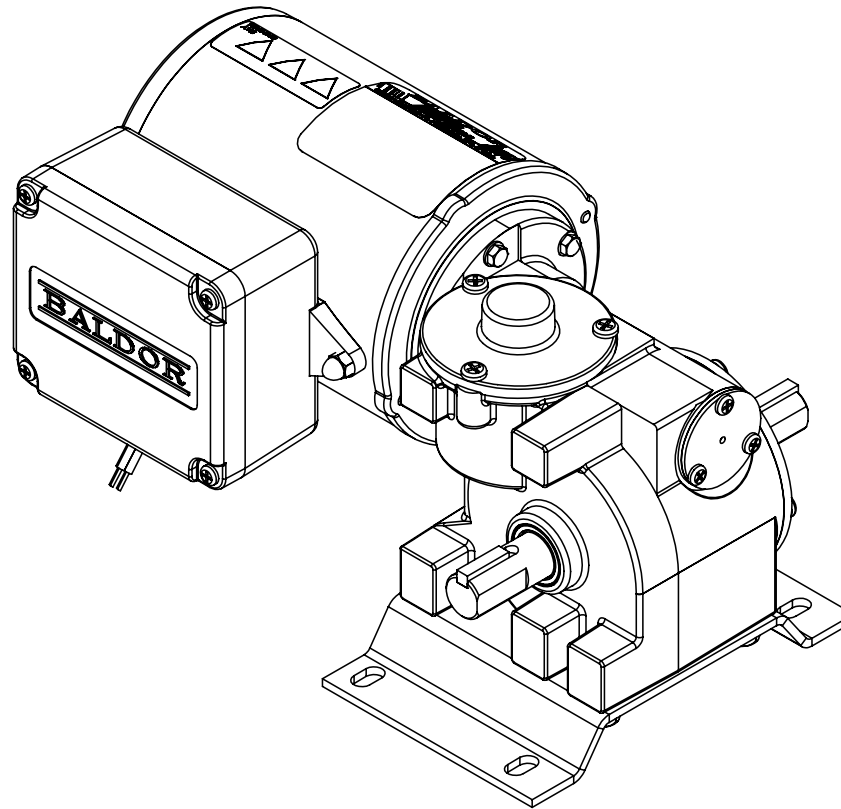




ITEM NO.	PART NUMBER	QTY.
1	25EP3100A16	1
2	BG60R8C03	1
3	HW5002A44	1
4	HW4600E07	1
5	25SH2549C01	1
6	25RC2012A00	1
7	HW5060A27	2
8	BG6200C03	1
9	WM0038A08	1
10	HW3082B05	1
11	25SB0004C01	1
12	24CB3000A	1
13	XY0632A04	1
14	XY0632A05	2
15	24CB3500A	1
16	15XP0619A08	4
17	LEADS-4	1
18	25EP2101A12	1
19	HW5109A08	1
20	51XT0832G05	1
21	HA3170A05	2
22	RM1057	1
23	HG0062A08	1
24	19XN1032A12	4
25	BH1104	2
26	BH1168A01	2
27	HW4600D29	2
28	HA1194B02	1
29	15XM0632A06	3
30	BWM5214	1
31	BGE4245	1
32	BH1108A04	4
33	BH1166A01	2
34	BSG5299	1
35	BGE4227	1
36	HW5010A31	1
37	BCG5491-001	1
38	RM1078	1
39	15XM0832A08	7
40	BCG1120-004	1
41	RM1098A02	1
42	BH1108A05	2
43	25BA4001	1
44	HW1001A25	4
45	10XN2520A08	4
46	HW2501D06	2
47	NP1598A15	1
48	LB1451	1
49	LC0006	1

CUSTOMER IS RESPONSIBLE FOR DETERMINING THAT BALDOR'S PRODUCT WILL PERFORM SUITABLY IN THE INTENDED APPLICATION

25E987W500G1



25E987W500G1

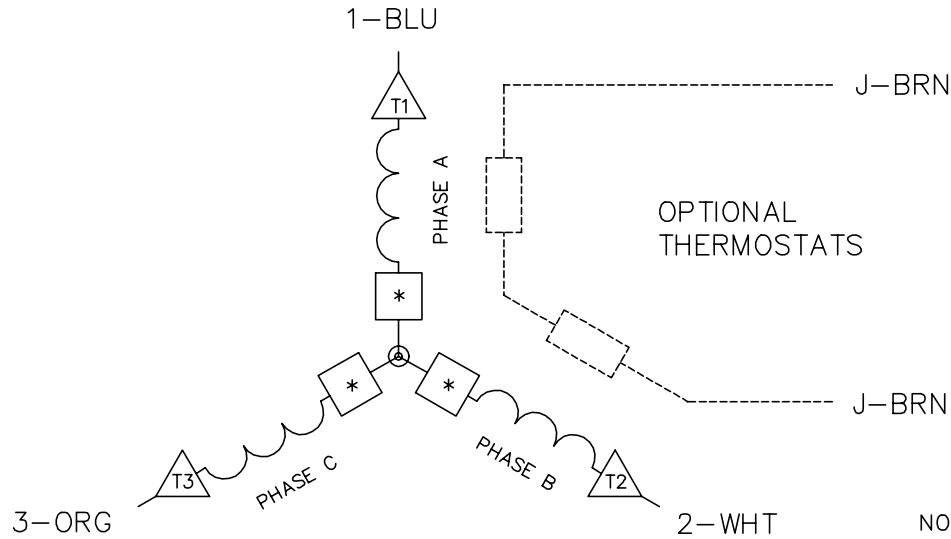
REV. DESC: NEW			
REV: -	VERSION: 00	REVISED: 02:31:08 10/14/2013	TDR: 000000820316
1G00057W500G1		MODEL NO. 25E987W500G1	REF:
		BY: CKPHIWO	

**BALDOR**



LY\_25AC EB RSB TENV 10-12 1.00 0.625 KEYS/FLATS (IDGM2512)

CD0006A16

TYPICAL WYE-CONNECTED MOTOR



NOTES:

1. THREE LEAD MOTOR MAY BE EITHER WYE CONNECTED OR DELTA CONNECTED.
2. INTERCHANGE ANY TWO LINE LEADS TO REVERSE ROTATION.
3. OPTIONAL THERMOSTATS ARE PROVIDED WHEN SPECIFIED.
4. ACTUAL NUMBER OF INTERNAL PARALLEL CIRCUITS MAY VARY.
5. LEAD COLORS ARE OPTIONAL. LEADS MUST BE NUMBERED AS SHOWN.
6.  = MAGNET WIRE COIL END WITH I.D. NUMBER.  
 = MAGNET WIRE COIL END WITH I.D. SYMBOL.
7. REFERENCE CW PRINT FOR NEST TO NEST CROSSOVER CONNECTIONS.

CD0006A16

REV. DESC: REMOVE DELTA CONNECTION		
REV. LTR: C	VERSION: 03	TDR: 000000977108
FILE: \CKA\00024\426	REVISED: 09:42:02 08/16/2016	BY: CKPAUDO
MTL: -	© □	

**BALDOR**

3PH, SV, 3 LEADS, WYE CONNECTED, CK

SH 1 of 1