

BALDOR® • RELIANCE

Product Information Packet

IDXM7010

.75HP,1750RPM,3PH,60HZ,56C,3517M,XPFC,F1

Part Detail							
Revision:	S	Status:	PRD/A	Change #:		Proprietary:	No
Type:	AC	Prod. Type:	3516M	Elec. Spec:	35WGP667	CD Diagram:	CD0005
Enclosure:	XPFC	Mfg Plant:		Mech. Spec:	35M998	Layout:	35LYM998
Frame:	56C	Mounting:	F1	Poles:	04	Created Date:	01-14-2008
Base:	RG	Rotation:	R	Insulation:	F	Eff. Date:	06-10-2016
Leads:	9#18					Replaced By:	
Literature:		Elec. Diagram:					

Nameplate NP0887XPSL										
NO.						CC				
S/N						TEMP CODE	T3C			
SPEC.	35M998P667G1					INV. TYPE	PWM			
CAT.NO.	IDX7010					C HP FR	60	C HP TO	90	
HP	.75					CT HZ FROM	6	CT HZ TO	60	
VOLTS	230/460					VT HZ FROM	6	VT HZ TO	60	
AMPS	2.2/1.1					MAG CUR	1.5/.75			
RPM	1750					MX RPM	2700			
HZ	60	PH	3	CL	F	NOM.EFF.	84			
SER.F.	1.00	DES	B	SL HZ	2	WK2	0.946			
FRAME	56C	RATING	40C AMB-CONT							

Parts List		
Part Number	Description	Quantity
SA167076	SA 35M998P667G1	1.000 EA
RA155425	RA 35M998P667G1	1.000 EA
34FN3002B01	EXTERNAL FAN, PLASTIC, .637/.639 HUB W/	1.000 EA
35CB3001A01SP	EXPL CONDUIT BOX, MACH, 1/2" PIPE TAP LE	1.000 EA
11XT0832G06	8-32 X 3/8 TY 23 TAPPING	1.000 EA
HW3001B01	BRASS CUP WASHER, FOR #8 SCREW	1.000 EA
35EP3700A01SP	FR ENDPLATE, XPFC	1.000 EA
HW5100A03SP	WAVY WASHER (W1543-017)	1.000 EA
35EP3702A01SP	PU EP-205 BRG-35X-56C-143-5TC	1.000 EA
51XN1032A20	10-32 X 1 1/4 HX WS SL SR	2.000 EA
HA3013A01	1/2-20X5/8 SPL.HX BOLT	2.000 EA
HW3021C06	3/32 DI X .625 PIN (F/S)	2.000 EA
XY3118A12	5/16-18 HEX NUT DIRECTIONAL SERRATION	4.000 EA
51XB1214A16	12-14X1.00 HXWSSLD SERTYB	1.000 EA
35FH4005A01SP	IEC FH NO GREASER W/PRIMED	1.000 EA
51XW1032A06	10-32 X .38, TAPTITE II, HEX WSHR SLTD S	3.000 EA
35CB3500A01SP	CONDUIT BOX LID, MACH	1.000 EA
51XN2520A16	SCREW, HEX WS SLT, ZN, 1/4-20 X 1.00	4.000 EA
HW2501D13	KEY, 3/16 SQ X 1.375	1.000 EA
HA7000A04	KEY RETAINER 0.625 DIA SHAFTS	1.000 EA
HA7000A04	KEY RETAINER 0.625 DIA SHAFTS	1.000 EA
85XU0407S04	4X1/4 U DRIVE PIN STAINLESS	8.000 EA
NP0018F	ALUM UL XP CONDUIT BOX NAMEPLATE	1.000 EA
MJ1000A02	GREASE, POLYREX EM EXXON (USe 4824-15A)	0.050 LB

Parts List (continued)		
Part Number	Description	Quantity
MG1025G29	WILKOFEST, 789.229, DARK CHARCOAL GRAY	0.017 GA
HW2501D13	KEY, 3/16 SQ X 1.375	1.000 EA
HA3104A06	THRUBOLT 5/16-18 X 8.50 OHIO ROD	4.000 EA
LB1119N	WARNING LABEL	1.000 EA
LC0145B01	CONNECTION LABEL	1.000 EA
NP0887XPSL	SS XP INV UL CSA CC CL-I GP-D CL-II GP-F	1.000 EA
36PA1000	PKG GRP, PRINT PK1016A06	1.000 EA
MN416A01	TAG-INSTAL-MAINT no wire (1200/bx) 11/14	1.000 EA

AC Induction Motor Performance Data



AC Induction Motor Performance Data
 Record # 31850
 Typical performance - not guaranteed values

Winding: 35WGP667	Type: 3517M	Enclosure: XPFC
--------------------------	--------------------	------------------------

Nameplate Data			General Characteristics at 460 V, 60 Hz: High Volt Connection		
Rated Output (HP)	.75		Full Load Torque	2.22 LB-FT	
Volts	230/460		Start Configuration	DOL	
Full Load Amps	2.2/1.1		Break Down Torque	10.5 LB-FT	
R.P.M.	1750		Pull-Up Torque	6.26 LB-FT	
Hz	60	Phase	Locked-rotor Torque	7.48 LB-FT	
NEMA Design Code	B	KVA Code	Starting Current	9.7 Amps	
Service Factor	1		No-load Current	0.752 Amps	
NEMA Nom. Eff.	84	P.F.	Line-line Res. @ 25°C.	23.3 Ohms	
Rating - Duty	40C AMB-CONT		Temp. Rise @ Rated Load	30°C	
S.F. Amps			Temp. Rise @ S.F. Load		

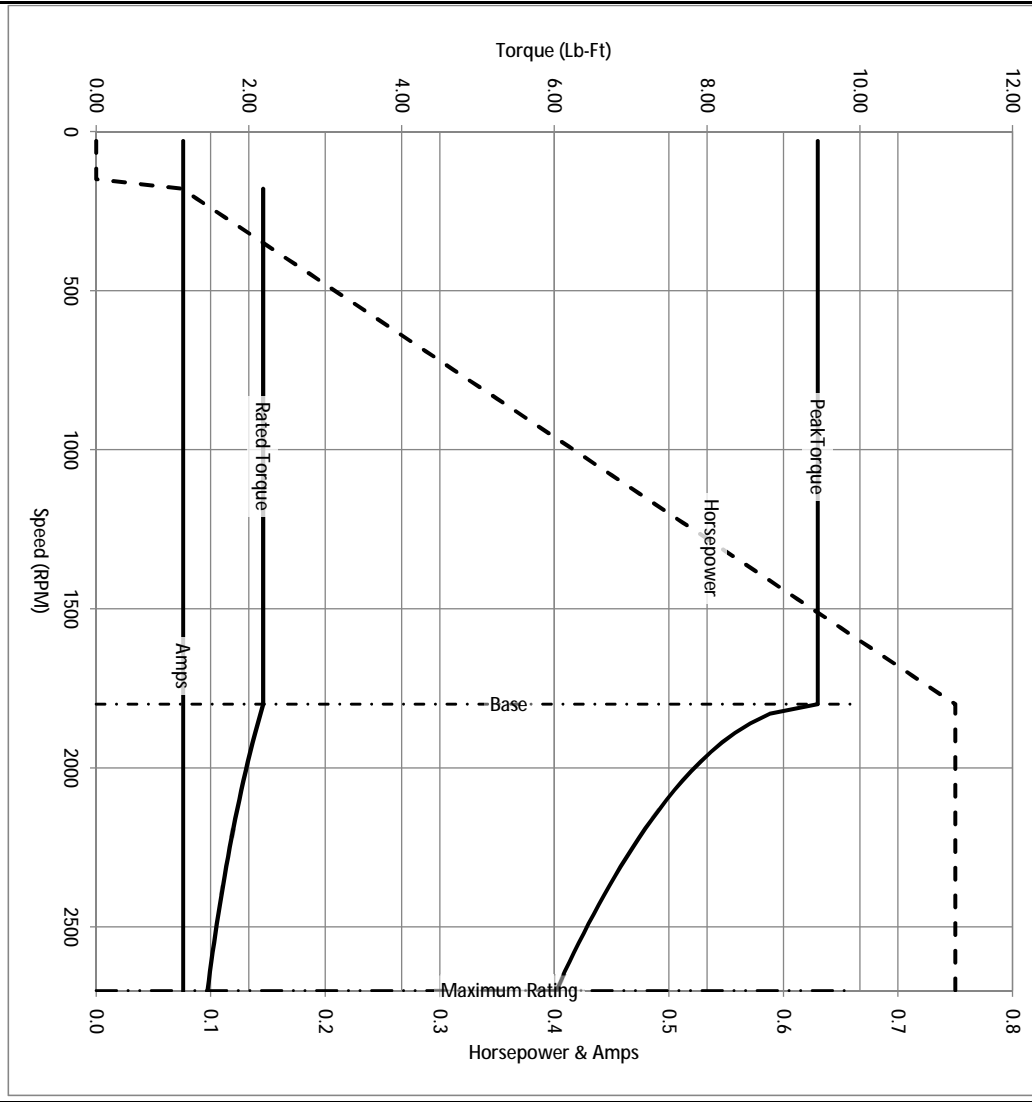
Load Characteristics at 460 Volts, 60 Hz, 0.75 HP

% of Rated Load	25	50	75	100	125	150	S.F.
Power Factor	32	50	64	73	80	83	
Efficiency	71.4	80.9	83.8	84.4	84	82.7	
Speed	1790	1778	1765	1752	1738	1721	
Line Amperes	0.787	0.87	0.992	1.14	1.32	1.54	

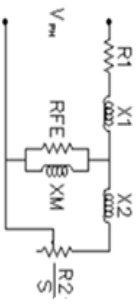
Baldor Electric Company Fort Smith, Arkansas



Catalog	IDXMT010	NP VOLTS	230/460	ENCLOSURE	XPFC	WVE CONN EQ CRT OHMS PER PHASE (BASE RATING, 20C)
FRAME	56C	NP AMPS	2.2/1.1	Base Volts	460	R1 11,500
HP	0.75 HP	DUTY	Cont	Base AMPS	1.14	R2 6,690
BASE SPEED	1800	MAX SAFE RPM	2700	Slip Hz	1.60	XM1
PHASE/HZ	3/60	AMB ⁰ /INSUL	40/F	WK ² (lb-ft ²)	0.1	X2 8,807
						333,381



Remarks: Calculated Data



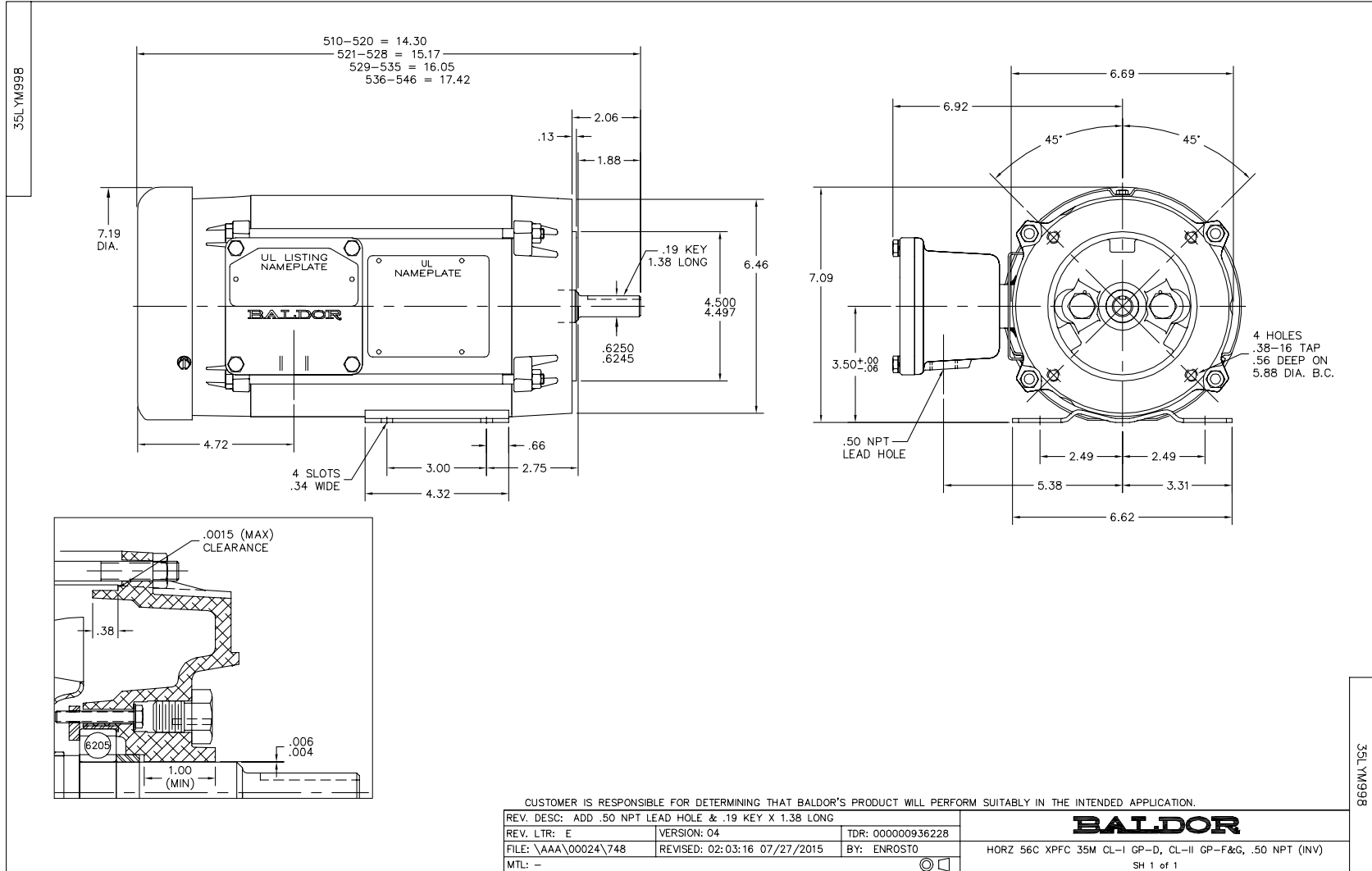
BALDOR DR BY ENR
 CK BY
 APP BY ENR
 DATE 3/6/2013

35M998P67G1

A-C MOTOR
 PERFORMANCE CURVES

ISSUE DATE 3/6/2013

A MEMBER OF THE ABB GROUP



CD0005

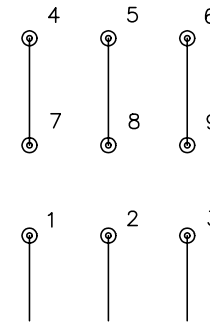


LOW VOLTAGE
(2Y)



LINE

HIGH VOLTAGE
(1Y)



LINE

NOTES:

1. INTERCHANGE ANY TWO LINE LEADS TO REVERSE ROTATION.
2. OPTIONAL THERMOSTATS ARE PROVIDED WHEN SPECIFIED.
3. ACTUAL NUMBER OF INTERNAL PARALLEL CIRCUITS MAY BE A MULTIPLE OF THOSE SHOWN ABOVE.
4. LEAD COLORS ARE OPTIONAL. LEADS MUST ALWAYS BE NUMBERED AS SHOWN.

REV. DESC: REVISE TO SHOW OPTIONAL COLORS			
REV. LTR: E	BY: JLP	REVISED: 01/19/99 10:15	TDR: 0171435
90000		FILE: AAA00005140	MDL: -
		MTL: -	

BALDOR ELECTRIC Co.

3PH, DV, 9 LEADS

CD0005