

# **BALDOR**® • ***RELIANCE***

## **Product Information Packet**

### **JL3507A**

**.75HP, 1725RPM, 1PH, 60HZ, 56J, 3428LC, TEFC**

Part Detail							
Revision:	R	Status:	PRD/A	Change #:		Proprietary:	No
Type:	AC	Prod. Type:	3428LC	Elec. Spec:	34WGW998	CD Diagram:	CD0308
Enclosure:	TEFC	Mfg Plant:		Mech. Spec:	34H408	Layout:	34LYH408
Frame:	56J	Mounting:	F1	Poles:	04	Created Date:	
Base:	N	Rotation:	FOS	Insulation:	B	Eff. Date:	10-22-2014
Leads:	4#18,1#16 #4TH	Y				Replaced By:	
Literature:		Elec. Diagram:					

Nameplate NP1257L	
CAT.NO.	JL3507A
SPEC.	34H408W998
HP	.75
VOLTS	115/230
AMP	8.2/4.1
RPM	1725
FRAME	56J
SER.F.	1.25
NEMA-NOM-EFF	74
RATING	40C AMB-CONT
CC	
DE	6203
ENCL	TEFC
	SFA 9.8/4.9
	CODE L
	PF 80
	ODE 6203
	SN
	HZ 60
	DES N
	CL B
	PH 1
	USABLE AT 208V 5.4

Parts List		
Part Number	Description	Quantity
SA018307	SA 34H408W998	1.000 EA
RA014454	RA 34H408W998	1.000 EA
OC3020F12	CYL OIL CAP 20MFD/370V	1.000 EA
EC1460A05SP	ELEC CAP, 460-552 MFD, 125V, 2.06D X 3.	1.000 EA
NS2512A01	INSULATOR, CONDUIT BOX X	1.000 EA
34CB3002A	CB CAST W/.88 DIA HOLE	1.000 EA
34GS1029A01	GASKET, CONDUIT BOX	1.000 EA
51XB1016A07	10-16 X 7/16 HXWSSLD SERTYB	2.000 EA
11XW1032G06	10-32 X .38, TAPTITE II, HEX WSHR SLTD U	1.000 EA
51XW0832A07	8-32 X .44, TAPTITE II, HEX WSHR SLTD SE	2.000 EA
34EP3102A01SP	FR ENDPLATE, MACH	1.000 EA
NS2501A02	INSULATOR, CAPACITOR BOX	1.000 EA
34CB3801	CAPACITOR BOX, DIE CAST	1.000 EA
34GS3002	GASKET, CAPACITOR BOX	1.000 EA
51XB1214A08	12-14 X 1/2HX WS SL SR TYBX	2.000 EA
HW5100A03SP	WAVY WASHER (W1543-017)	1.000 EA
34EP3300A24SP	PU ENDPLATE, MACH	1.000 EA
51XN1032A20	10-32 X 1 1/4 HX WS SL SR	2.000 EA
34FN3002A01SP	EXTERNAL FAN, PLASTIC, .637/.639 HUB W/	1.000 EA
34FH4002A03SP	IEC FH NO GREASER W/.88 DIA SHAFT HOLE,	1.000 EA
51XW1032A06	10-32 X .38, TAPTITE II, HEX WSHR SLTD S	3.000 EA
WD4100A81	CAPLUG BPF-7/8, FOR .86-.88 HOLE	1.000 EA
34CB4517	CB LID 4 MTG HOLES .22 DIA STAMPED, FOR	1.000 EA
34GS1031A01	GASKET, FLAT CONDUIT BOX LID (LEXIDE)	1.000 EA

<b>Parts List (continued)</b>		
<b>Part Number</b>	<b>Description</b>	<b>Quantity</b>
51XW0832A07	8-32 X .44, TAPTITE II, HEX WSHR SLTD SE	4.000 EA
RM1010A01	35-968-1 VINYL CLS	1.000 EA
LB1009N	LABEL,ROTATION DIRECTION (ON ROLLS)	1.000 EA
34GS5003A01	FOAM SLEEVE, ID = 2 1/16" X 4 3/8"	1.000 EA
MG1000G27	MED CHARCOAL METALLIC GREY 400-0096	0.014 GA
10XF0440S02	04-40 X 1/8 TYPE F HEX HD STAINLESS STIC	2.000 EA
SP5056A22	MODEL 34 TYPE LC STATIONARY SWITCH WITH	1.000 EA
HA3100A37	THRUBOLT 10-32 X 8.500	4.000 EA
MN416A01	TAG-INSTAL-MAINT no wire (1200/bx) 11/14	1.000 EA
LB1118	LABEL,WARNING (ROLL LABEL)	1.000 EA
LC0031	CONNECTION LABEL	1.000 EA
NP1257L	ALUM UL CSA CC THERMAL REV MTG	1.000 EA
35PA1000	PKG GRP, PRINT PK1008A06	1.000 EA
PK3083T	STYROFOAM PACKING CRADLE W/TAPE	1.000 EA

<b>Accessories</b>		
<b>Part Number</b>	<b>Description</b>	<b>Multiplier</b>
34-171	C FACE KIT	A8

**AC Induction Motor Performance Data**  
Record # 7176 - Typical performance - not guaranteed values

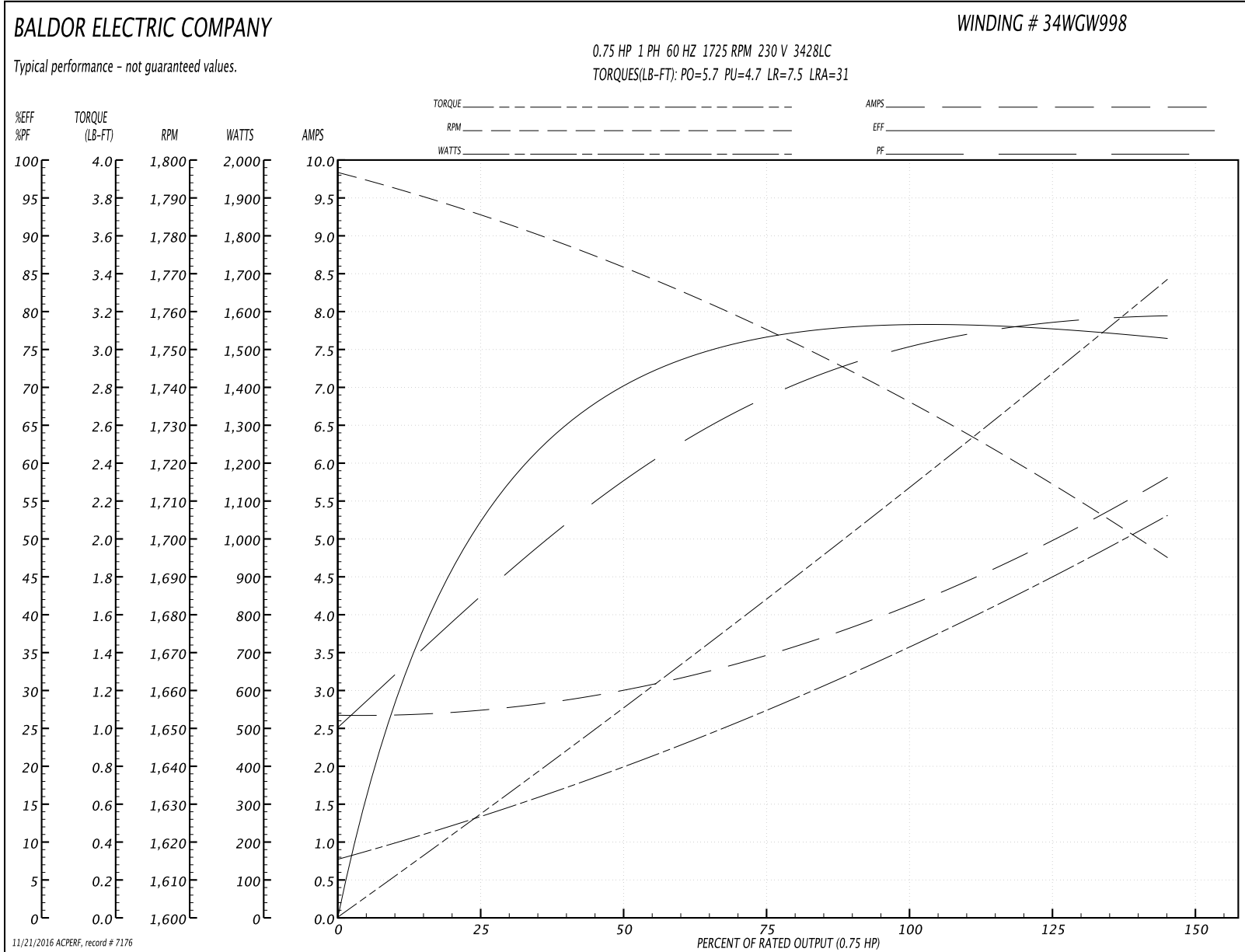
<b>Winding:</b> 34WGW998-R001	<b>Type:</b> 3428LC	<b>Enclosure:</b> TEFC
-------------------------------	---------------------	------------------------

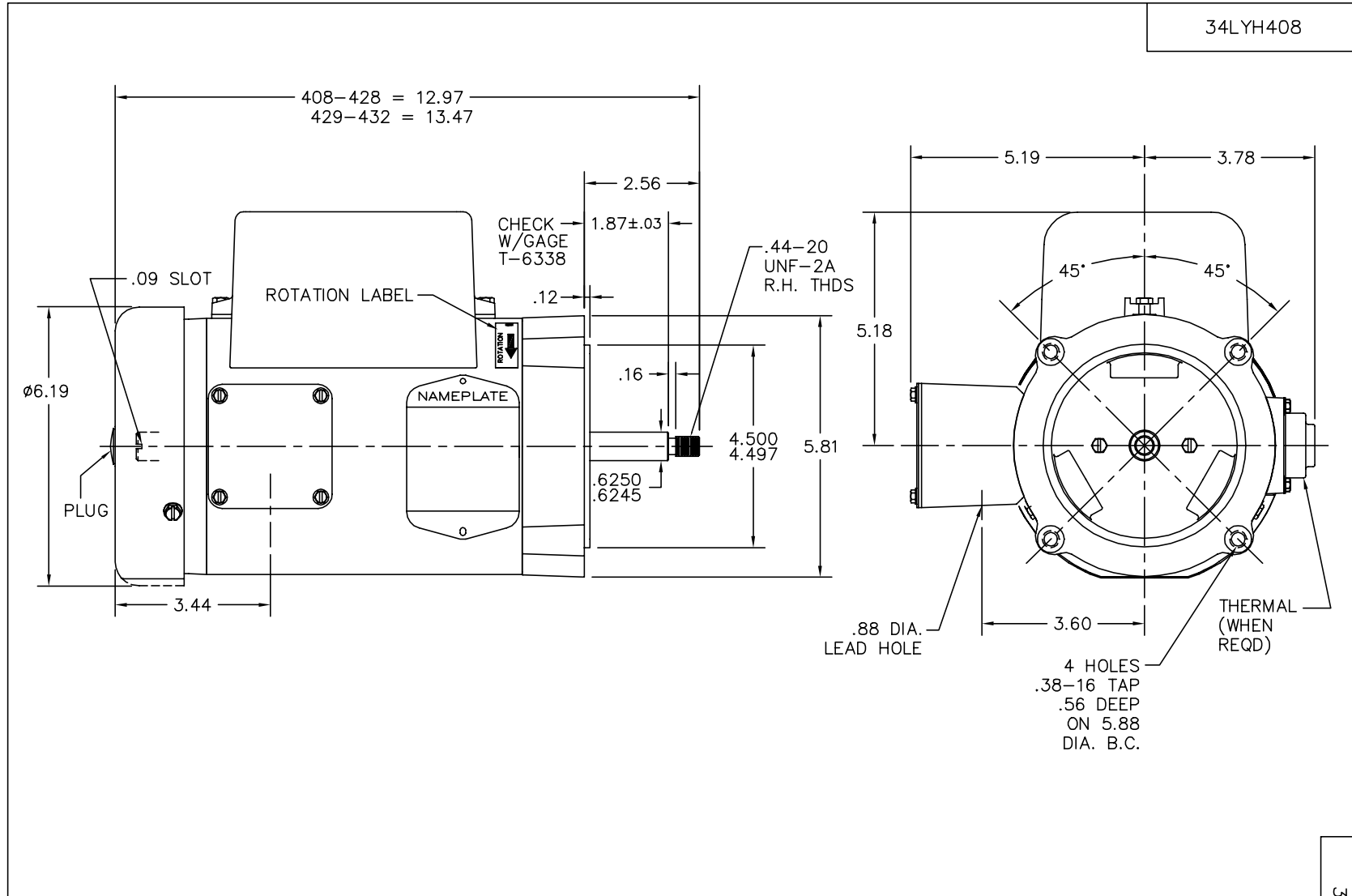
Nameplate Data				230 V, 60 Hz: High Voltage Connection	
Rated Output (HP)	.75			Full Load Torque	2.25 LB-FT
Volts	115/230			Start Configuration	direct on line
Full Load Amps	8.2/4.1			Breakdown Torque	5.7 LB-FT
R.P.M.	1725			Pull-up Torque	4.7 LB-FT
Hz	60	Phase	1	Locked-rotor Torque	7.5 LB-FT
NEMA Design Code	N	KVA Code	L	Starting Current	31 A
Service Factor (S.F.)	1.25			No-load Current	2.7 A
NEMA Nom. Eff.	74	Power Factor	80	Line-line Res. @ 25°C	3.11 Ω A Ph 1.73 Ω B Ph
Rating - Duty	40C AMB-CONT			Temp. Rise @ Rated Load	62°C
S.F. Amps	9.8/4.9			Temp. Rise @ S.F. Load	81°C

Load Characteristics 230 V, 60 Hz, 0.75 HP

% of Rated Load	25	50	75	100	125	150	S.F.
Power Factor	43	61	72	80	85	87	0
Efficiency	53.6	67.7	73	73.9	93.2	71.4	0
Speed	1784	1770	1755	1739	1717	1694	0
Line amperes	2.7	3	3.5	4.1	4.9	5.8	4.9

Performance Graph at 230V, 60Hz, 0.75HP Typical performance - Not guaranteed values





CUSTOMER IS RESPONSIBLE FOR DETERMINING THAT MOTOR PERFORMANCE IS SUITABLE IN THE APPLICATION.

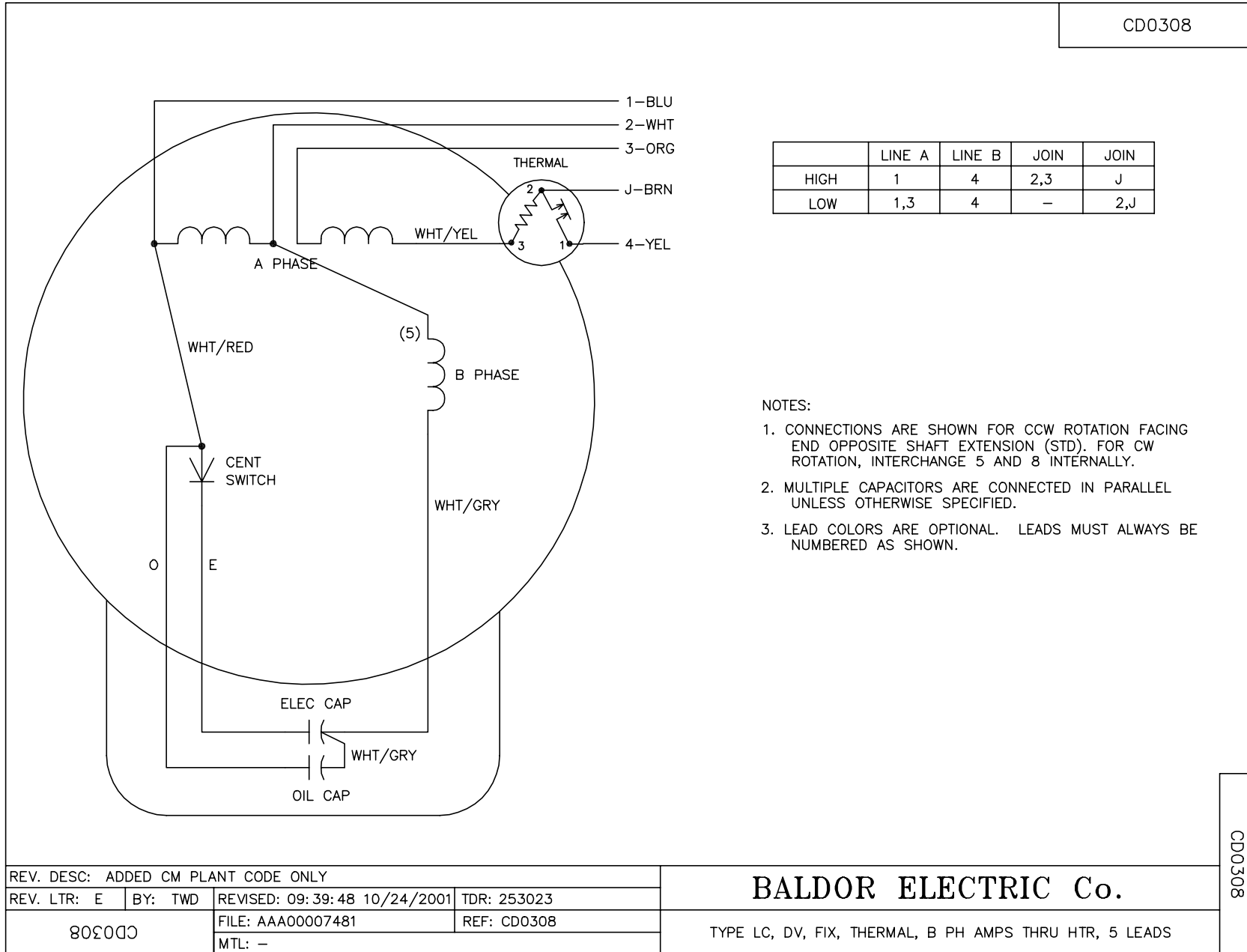
REV. DESC: UPDATED DRAWING		
REV. LTR: A	VERSION: 01	TDR: 000000424628
34LYH408	FILE: \AAA\00054\062	REVISED: 11:08:53 03/08/2007
	MTL: -	BY: ENRSTO

**BALDOR ELECTRIC Co.**

SPL VERT TEFC 34LC NEMA 56J W/SPECIAL STACK

34LYH408

CD0308



CD0308

REV. DESC: ADDED CM PLANT CODE ONLY			
REV. LTR: E	BY: TWD	REVISED: 09:39:48 10/24/2001	TDR: 253023
803080		FILE: AAA00007481	REF: CD0308
		MTL: -	

**BALDOR ELECTRIC Co.**

TYPE LC, DV, FIX, THERMAL, B PH AMPS THRU HTR, 5 LEADS