

# **BALDOR**® • ***RELIANCE***

## **Product Information Packet**

# **L5018**

**3HP,1725RPM,1PH,60HZ,215,X3735L,XPFC,F1**

Part Detail							
Revision:	AU	Status:	PRD/A	Change #:		Proprietary:	No
Type:	AC	Prod. Type:	3735L	Elec. Spec:	37WGX010	CD Diagram:	CD0076
Enclosure:	XPFC	Mfg Plant:		Mech. Spec:	37J019	Layout:	37LYJ019
Frame:	215	Mounting:	F1	Poles:	04	Created Date:	
Base:	RG	Rotation:	R	Insulation:	B	Eff. Date:	01-07-2016
Leads:	8#14					Replaced By:	
Literature:		Elec. Diagram:					

<b>Nameplate NP1426XPSL</b>	
NO.	<input type="text"/>
SER.	<input type="text"/>
SPEC.	37J19X10
CAT.NO.	L5018
HP	3
VOLTS	115/230
AMPS	30/15
RPM	1725
HZ	60
SER.F.	1.00
RATING	40C AMB-CONT
FRAME	215
USABLE AT 208V	<input type="text"/>
BLANK	<input type="text"/>
	CC <input type="text"/>
	T. CODE T3C
	PH 1 CL B
	DES L CODE K
	NEMA-NOM-EFF 79
	PF 77

Parts List		
Part Number	Description	Quantity
SA032942	SA 37J19X10	1.000 EA
RA028975	RA 37J19X10	1.000 EA
EC1850A06SP	ELEC CAP 115V 2.0 X 4.3 X	2.000 EA
35CB3001A02SP	EXPL PROOF CONDUIT BOX, 3/4"PIPE TAP LEA	1.000 EA
11XW1032G06	10-32 X .38, TAPTITE II, HEX WSHR SLTD U	1.000 EA
HW3001B01	BRASS CUP WASHER, FOR #8 SCREW	1.000 EA
37EP1703A01	FRONT EP, XPFC	1.000 EA
HW4500A19	1/4-28X1/4 SLOTTED PLUG F/S	2.000 EA
34GS5003	FOAM SLEEVE, ID = 2 1/16" X 3 3/8"	2.000 EA
51XW0832A07	8-32 X .44, TAPTITE II, HEX WSHR SLTD SE	2.000 EA
36FN3004A02	EXFN XP PULLEY, ALUM, 7.38 OD, 1.379 ID	1.000 EA
80XN2520A06	1/4-20 X 3/8 SET SCREW	2.000 EA
37FH4001A01	FAN COVER, W/ PRIMER	1.000 EA
51XW1032A06	10-32 X .38, TAPTITE II, HEX WSHR SLTD S	3.000 EA
HW5100A06	W2420-025 WVY WSHR (WB)	1.000 EA
37EP1701A01	PULLEY EP XPFC	1.000 EA
HW4500A19	1/4-28X1/4 SLOTTED PLUG F/S	2.000 EA
37FN3002A01SP	EXFN, PLASTIC, 9.00 OD, 1.155 ID	1.000 EA
51XB1214A20	12-14X1.25 HXWSSLD SERTYB	1.000 EA
07FH4007A03	IEC FH W/GRSR @ 2&10, 3 F/C HOL ROT 90 C	1.000 EA
WD4101A10	.750 DIA. HOLE PLUG .06-.09 WALL	1.000 EA
51XW1032A06	10-32 X .38, TAPTITE II, HEX WSHR SLTD S	3.000 EA
35CB3500A01SP	CONDUIT BOX LID, MACH	1.000 EA
51XN2520A16	SCREW, HEX WS SLT, ZN, 1/4-20 X 1.00	4.000 EA

<b>Parts List (continued)</b>		
<b>Part Number</b>	<b>Description</b>	<b>Quantity</b>
HW2501E18	KEY, 1/4 SQ X 2.000	1.000 EA
HA7000A02	KEY RETAINER RING, 1 1/8 DIA, 1 3/8 DIA	1.000 EA
NP0018F	ALUM UL XP CONDUIT BOX NAMEPLATE	1.000 EA
LB1115N	LABEL,LIFTING DEVICE (ON ROLLS)	1.000 EA
85XU0407S04	4X1/4 U DRIVE PIN STAINLESS	6.000 EA
HA6003A07	CAPACITOR CLAMP 37 XPROOF PLATED	2.000 EA
51XW1032A08	10/32X1/2 HXWSHR HD, SL, SERATED	2.000 EA
MJ1000A02	GREASE, POLYREX EM EXXON (USe 4824-15A)	0.050 LB
MG1025G29	WILKOFASST, 789.229, DARK CHARCOAL GRAY	0.028 GA
SP5127A11	MODEL 37 XP TYPE L	1.000 EA
HA3106A02	THRUBOLT- 1/2-13 X 10.750	4.000 EA
LB1119N	WARNING LABEL	1.000 EA
LC0199	CONNECTION LABEL X	1.000 EA
NP1426XPSL	SS XP UL CSA CC CL-I GP-D CL-II GP-F&G	1.000 EA
37PA1039	PALLET PACK GRP, PRINT PK1026A06	1.000 EA
MN416A01	TAG-INSTAL-MAINT no wire (1200/bx) 11/14	1.000 EA

**AC Induction Motor Performance Data**

Record # 11964 - Typical performance - not guaranteed values

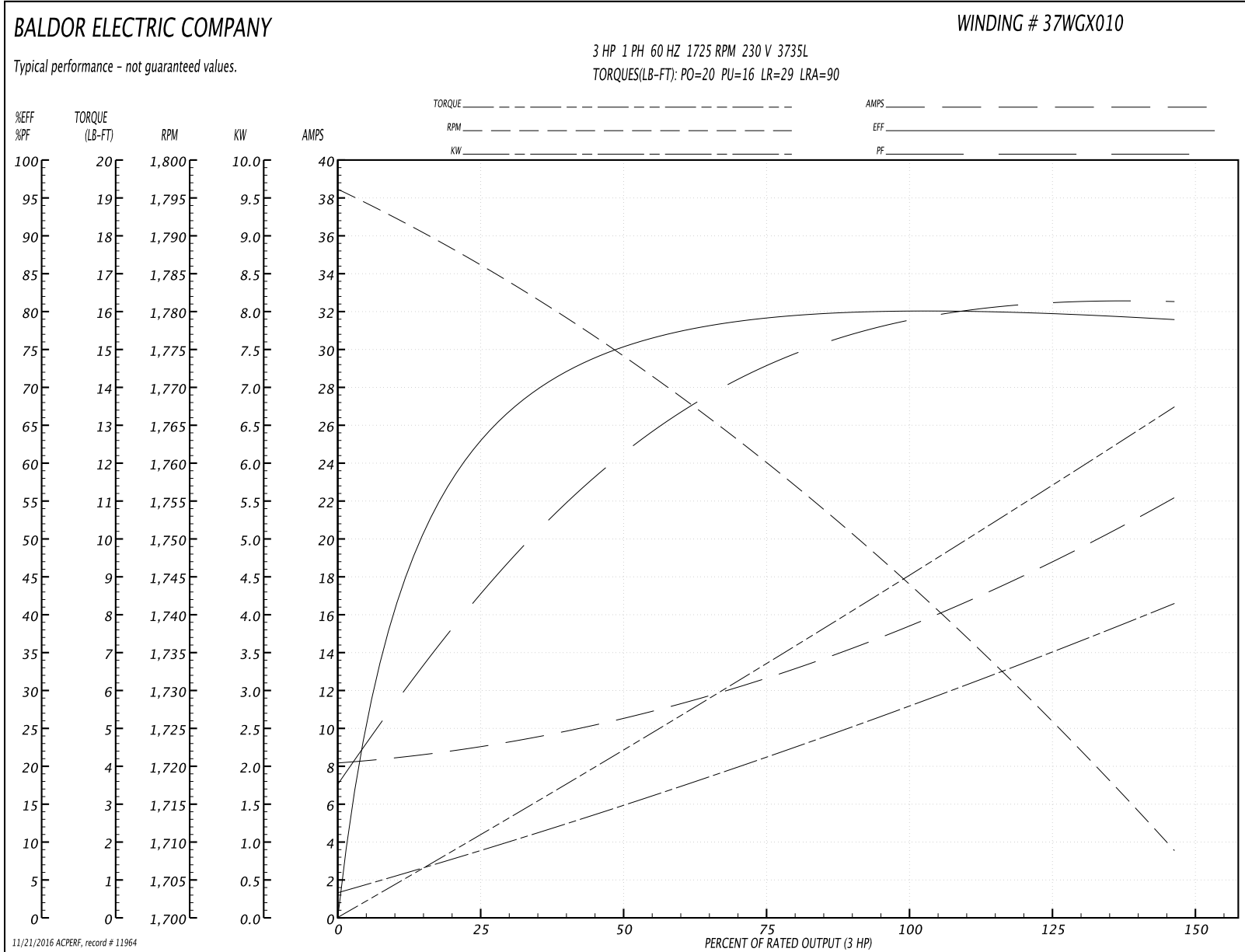
<b>Winding:</b> 37WGX010-R001	<b>Type:</b> 3735L	<b>Enclosure:</b> XPFC
-------------------------------	--------------------	------------------------

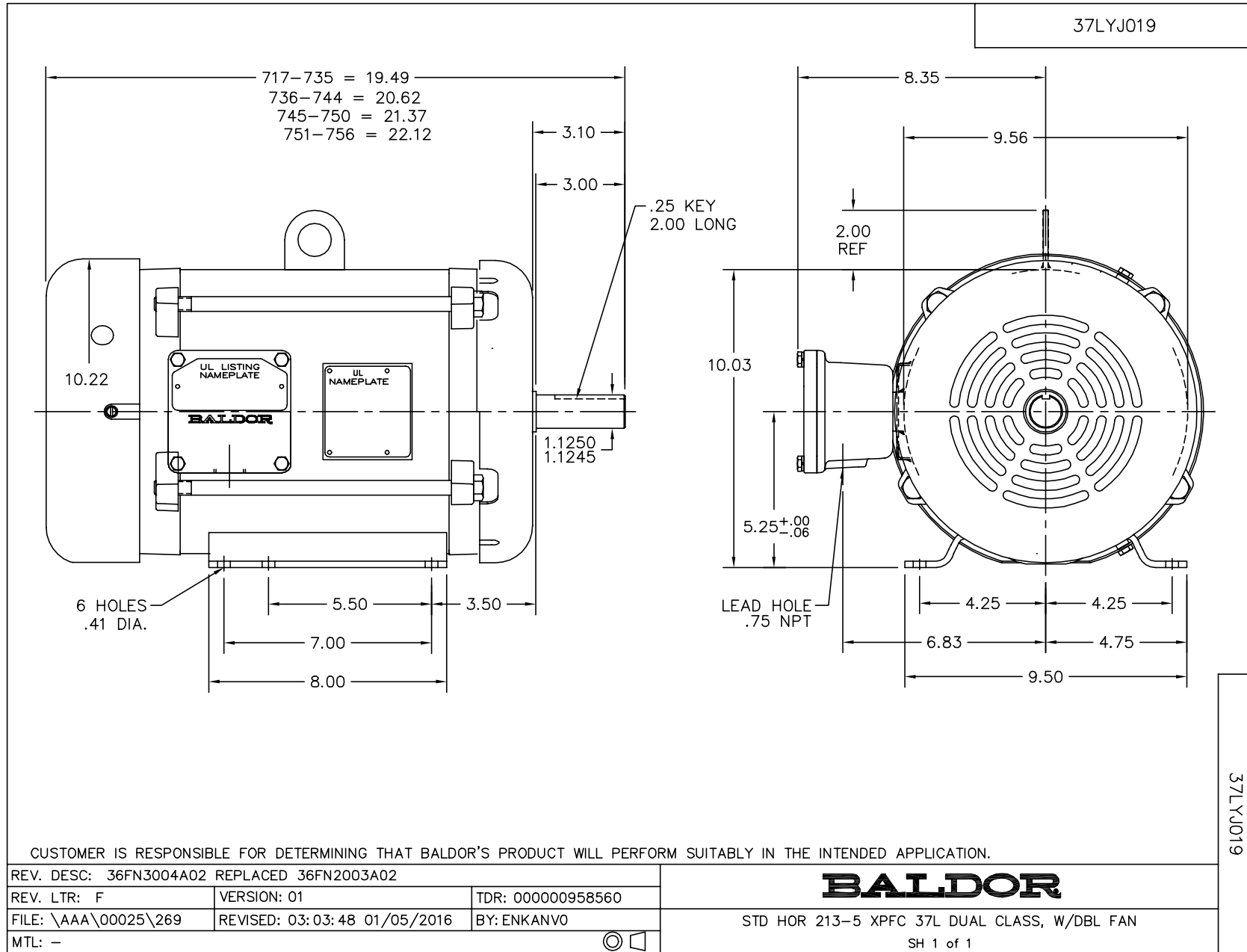
Nameplate Data				230 V, 60 Hz: High Voltage Connection	
Rated Output (HP)	3			Full Load Torque	9 LB-FT
Volts	115/230			Start Configuration	direct on line
Full Load Amps	30/15			Breakdown Torque	20 LB-FT
R.P.M.	1725			Pull-up Torque	16 LB-FT
Hz	60	Phase	1	Locked-rotor Torque	29 LB-FT
NEMA Design Code	L	KVA Code	K	Starting Current	90 A
Service Factor (S.F.)	1			No-load Current	8.2 A
NEMA Nom. Eff.	79	Power Factor	77	Line-line Res. @ 25°C	0.432 Ω A Ph 0.516 Ω B Ph
Rating - Duty	40C AMB-CONT			Temp. Rise @ Rated Load	74°C

Load Characteristics 230 V, 60 Hz, 3 HP

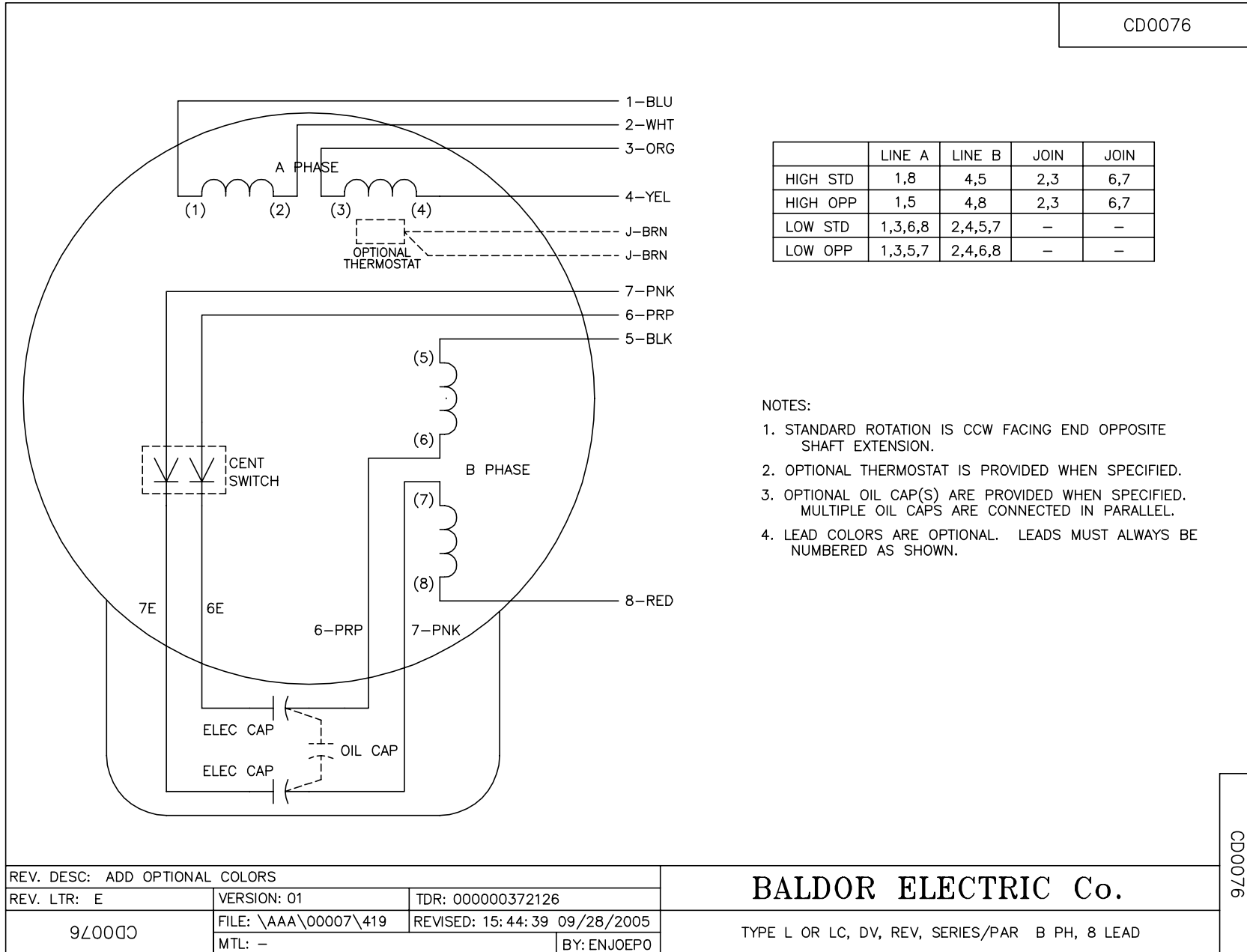
% of Rated Load	25	50	75	100	125	150
Power Factor	43	61	72	79	82	84
Efficiency	62.7	75	79.1	80.4	80.1	78.7
Speed	1785	1773	1760	1745	1728	1708
Line amperes	9	10.6	12.7	15.4	18.5	22.2

Performance Graph at 230V, 60Hz, 3.0HP Typical performance - Not guaranteed values





CD0076



	LINE A	LINE B	JOIN	JOIN
HIGH STD	1,8	4,5	2,3	6,7
HIGH OPP	1,5	4,8	2,3	6,7
LOW STD	1,3,6,8	2,4,5,7	-	-
LOW OPP	1,3,5,7	2,4,6,8	-	-

NOTES:

1. STANDARD ROTATION IS CCW FACING END OPPOSITE SHAFT EXTENSION.
2. OPTIONAL THERMOSTAT IS PROVIDED WHEN SPECIFIED.
3. OPTIONAL OIL CAP(S) ARE PROVIDED WHEN SPECIFIED. MULTIPLE OIL CAPS ARE CONNECTED IN PARALLEL.
4. LEAD COLORS ARE OPTIONAL. LEADS MUST ALWAYS BE NUMBERED AS SHOWN.

CD0076

REV. DESC: ADD OPTIONAL COLORS			
REV. LTR: E	VERSION: 01	TDR: 000000372126	
9Z00D0	FILE: \AAA\00007\419	REVISED: 15:44:39 09/28/2005	
	MTL: -	BY: ENJOEPO	

**BALDOR ELECTRIC Co.**

TYPE L OR LC, DV, REV, SERIES/PAR B PH, 8 LEAD