

BALDOR® • ***RELIANCE***

Product Information Packet

OF3407T

7.5HP,1125RPM,3PH,60HZ,254T,0932M,OPEN

Part Detail							
Revision:	AB	Status:	PRD/A	Change #:		Proprietary:	No
Type:	AC	Prod. Type:	0932M	Elec. Spec:	09WGY173	CD Diagram:	CD0321
Enclosure:	OPEN	Mfg Plant:		Mech. Spec:	09G79	Layout:	09LYG079
Frame:	254T	Mounting:	F2	Poles:	06	Created Date:	
Base:	RG	Rotation:	R	Insulation:	F	Eff. Date:	09-14-2016
Leads:	12#12 ML4400B12		Y			Replaced By:	
Literature:		Elec. Diagram:					

Nameplate NP2961E				
CAT.NO.	OF3407T			
SPEC.	09G079Y173			
HP	7.5			
VOLTS	230/460/796			
AMP	25/12.5/7.2			
RPM	1125			
FRAME	254T	HZ	60	
SER.F.	1.15	CODE	H	
NEMA-NOM-EFF	84	PF	67	
RATING	40C AMB-CONT		PH	3
CC		DES	D	
DE	6309	ODE	6208	
ENCL	OPEN	SN		
			CLASS	F
			USABLE AT 208V	

Nameplate NP0090E

FRONT 6208

PULLEY 6309

LUBRICATE WITH

GREASE POLYREX EM

Parts List		
Part Number	Description	Quantity
SA064265	SA 09G079Y173	1.000 EA
RA058429	RA 09G079Y173	1.000 EA
51XW1032A06	10-32 X .38, TAPTITE II, HEX WSHR SLTD S	12.000 EA
HW1000A10	#10 FLAT WASHER (SAE)	12.000 EA
09CB1001A31	CONDUIT BOX, MACH 309 FRAME	1.000 EA
10XN2520K12	1/4-20 X.75 GRD 5	2.000 EA
HW1001A25	LOCKWASHER 1/4, ZINC PLT .493 OD, .255 I	2.000 EA
WD1000B17	T&B CX35TN TERMINAL	1.000 EA
10XN2520K08	1/4-20 X .50 GRADE #5, STL, ZINC PLATE	1.000 EA
HW1001A25	LOCKWASHER 1/4, ZINC PLT .493 OD, .255 I	1.000 EA
HA1105A01	RODENT SCREEN, PU ENDPLATE	1.000 EA
12XN0832A12	8-32 X 3/4 HEX HD SCREW	2.000 EA
XY0832A02	8-32 HEX NUT	2.000 EA
HW1000A08	#8 SAE FLAT WASHER	2.000 EA
12XN0832A06	8-32 X 3/8 HEX HD SCREW	1.000 EA
XY0832A02	8-32 HEX NUT	2.000 EA
HW1000A08	#8 SAE FLAT WASHER	2.000 EA
12XN0832A06	8-32 X 3/8 HEX HD SCREW	1.000 EA
HW1000A08	#8 SAE FLAT WASHER	1.000 EA
09AD2000A01	AIR DEFLECTOR, 309 OPEN	1.000 EA
09EP1200A02	FR E.P. MACH, ROD SCREENS	1.000 EA
HW5100A08	W3118-035 WVY WSHR (WB)	1.000 EA
09EP1201A02	PU E P MACH, RODENT SCREENS	1.000 EA
HW1000A08	#8 SAE FLAT WASHER	1.000 EA

Parts List (continued)		
Part Number	Description	Quantity
10XN3816K52	3/8-16 X 3-1/4 HEX HEAD CAP SCREW GRD 5	4.000 EA
HW1001A38	LOCKWASHER 3/8, ZINC PLT .688 OD, .382 I	4.000 EA
10XN3816K52	3/8-16 X 3-1/4 HEX HEAD CAP SCREW GRD 5	4.000 EA
HW1001A38	LOCKWASHER 3/8, ZINC PLT .688 OD, .382 I	4.000 EA
HA1103A06	40-76 RODENT SCREEN	1.000 EA
12XN0832A12	8-32 X 3/4 HEX HD SCREW	2.000 EA
09CB1501A01	CONDUIT BOX LID, MACH	1.000 EA
10XN2520K16	1/4-20 X 1" HX HD SCRW GRADE 5, ZINC P	2.000 EA
HW1001A25	LOCKWASHER 1/4, ZINC PLT .493 OD, .255 I	2.000 EA
HW2501G25	KEY, 3/8 SQ X 2.875	1.000 EA
LB1115N	LABEL,LIFTING DEVICE (ON ROLLS)	1.000 EA
MN416A01	TAG-INSTAL-MAINT no wire (1200/bx) 11/14	1.000 EA
11XW1032A12	#10-32 X .75 HX WASHER HEAD	3.000 EA
HW1001A08	WASHER, #8 SPLT LK, ZN	3.000 EA
HW1001A08	WASHER, #8 SPLT LK, ZN	3.000 EA
HW4500A03	GREASE FITTING, .125 NPT 1610(ALEMITE) 8	1.000 EA
HW4500A17	317400 ALEMITE GREASE RELIEF	1.000 EA
HA4051A00	PLASTIC CAP FOR GREASE FITTING	1.000 EA
MJ1000A02	GREASE, POLYREX EM EXXON (USe 4824-15A)	0.080 LB
09AD2000A01	AIR DEFLECTOR, 309 OPEN	1.000 EA
11XW1032A12	#10-32 X .75 HX WASHER HEAD	3.000 EA
HW4500A03	GREASE FITTING, .125 NPT 1610(ALEMITE) 8	1.000 EA
HW4500A17	317400 ALEMITE GREASE RELIEF	1.000 EA
HA4051A00	PLASTIC CAP FOR GREASE FITTING	1.000 EA

Product Information Packet: OF3407T - 7.5HP,1125RPM,3PH,60HZ,254T,0932M,OPEN

MG1025G03	WILKOFAST, 789.901, OIL RIG SILVER	0.050 GA
85XU0407S04	4X1/4 U DRIVE PIN STAINLESS	4.000 EA
LC0321	CONNECTION LABEL	1.000 EA
LB1119N	WARNING LABEL	1.000 EA
NP2961E	ALUM CSA CC	1.000 EA
NP0090E	SS NO LOGO'S BEARING & GREASE DATA	1.000 EA
09PA1000	PACKAGING GROUP COMBINED PRINT	1.000 EA

AC Induction Motor Performance Data
Record # 1884 - Typical performance - not guaranteed values

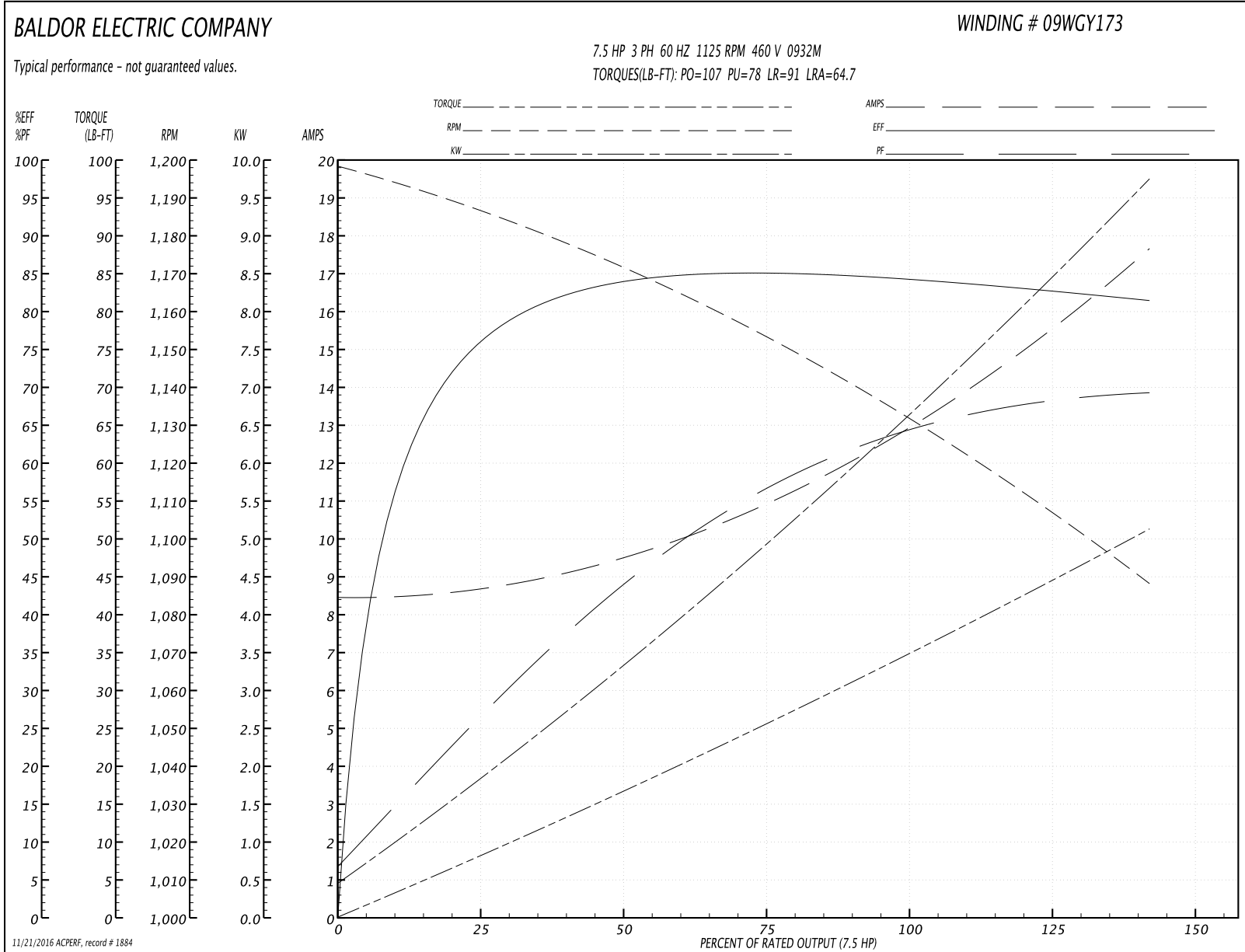
Winding: 09WGY173-R001	Type: 0932M	Enclosure: OPEN
-------------------------------	--------------------	------------------------

Nameplate Data				460 V, 60 Hz: 2nd Voltage Connection	
Rated Output (HP)	7.5			Full Load Torque	34.3 LB-FT
Volts	230/460/796			Start Configuration	direct on line
Full Load Amps	25/12.5/7.2			Breakdown Torque	107 LB-FT
R.P.M.	1125			Pull-up Torque	78 LB-FT
Hz	60	Phase	3	Locked-rotor Torque	91 LB-FT
NEMA Design Code	D	KVA Code	H	Starting Current	64.7 A
Service Factor (S.F.)	1.15			No-load Current	8.44 A
NEMA Nom. Eff.	84	Power Factor	67	Line-line Res. @ 25°C	1.15 Ω
Rating - Duty	40C AMB-CONT			Temp. Rise @ Rated Load	61°C
S.F. Amps				Temp. Rise @ S.F. Load	77°C

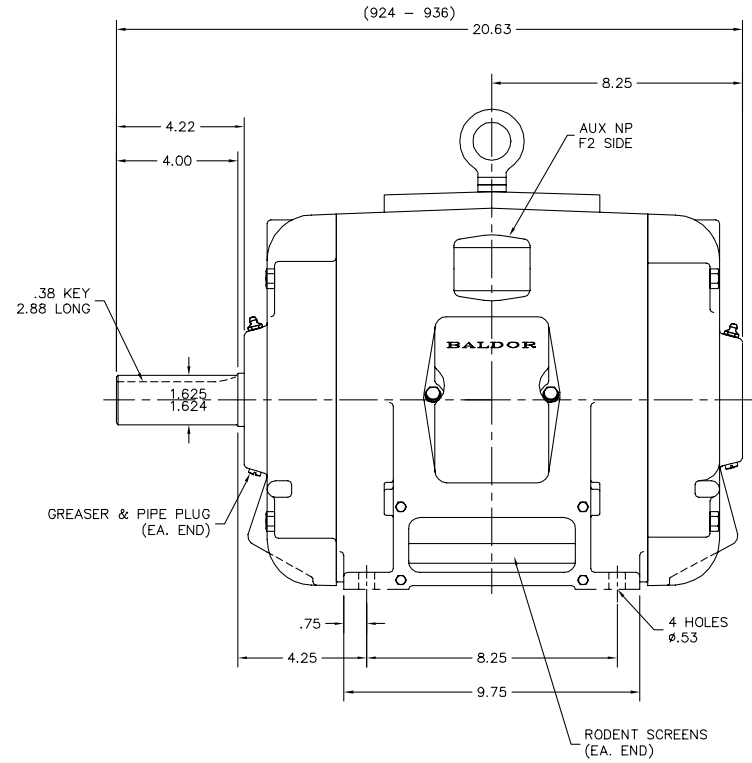
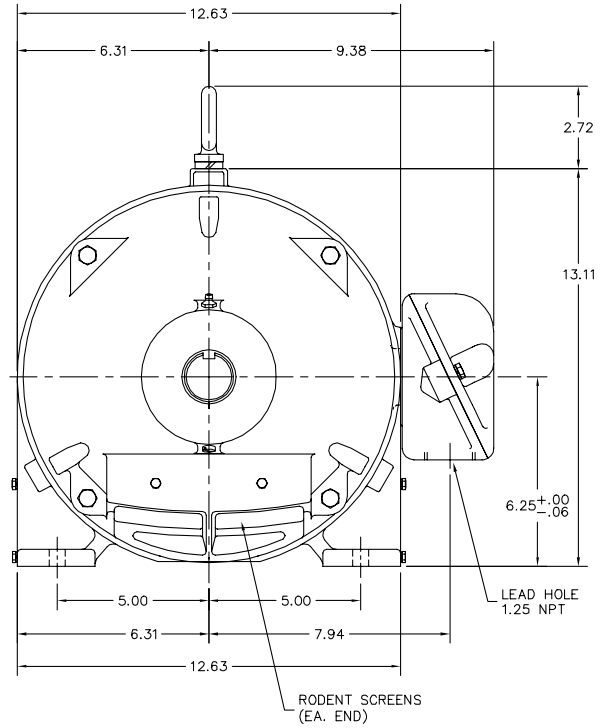
Load Characteristics 460 V, 60 Hz, 7.5 HP

% of Rated Load	25	50	75	100	125	150	S.F.
Power Factor	24	43	57	64	70	73	68
Efficiency	73.6	83.5	85.3	84.9	83.3	81.1	83.9
Speed	1186	1170	1152	1135	1112	1087	1121
Line amperes	8.68	9.61	11	12.7	15.1	17.7	14.14

Performance Graph at 460V, 60Hz, 7.5HP Typical performance - Not guaranteed values



09LYG079



09LYG079

CUSTOMER IS RESPONSIBLE FOR DETERMINING THAT BALDOR'S PRODUCT WILL PERFORM SUITABLY IN THE INTENDED APPLICATION.

REV. DESC: ADDED AUX NP LEADER		
REV. LTR: P	VERSION: 05	TDR: 000000485.342
FILE: \AAA\00031\608	REVISED: 15:42:43 12/16/2008	BY: ENROBRO
MTL: -		

BALDOR • DODGE • RELIANCE
 HORZ OPEN 254T F2 OIL FIELD PUMP
 SH 1 of 1

