

BALDOR® • ***RELIANCE***

Product Information Packet

OF4117T

30HP,1125RPM,3PH,60HZ,326T,1262M,TEFC,F2

Part Detail							
Revision:	M	Status:	PRD/A	Change #:		Proprietary:	No
Type:	AC	Prod. Type:	1262M	Elec. Spec:	12WGY236	CD Diagram:	CD0022
Enclosure:	TEFC	Mfg Plant:		Mech. Spec:	12E383	Layout:	12LYE383
Frame:	326T	Mounting:	F2	Poles:	06	Created Date:	01-28-2010
Base:	RG	Rotation:	R	Insulation:	F	Eff. Date:	05-19-2016
Leads:	6#8 ML4400B08					Replaced By:	
Literature:		Elec. Diagram:					

Nameplate NP2961E			
CAT.NO.	OF4117T		
SPEC.	12E383Y236		
HP	30		
VOLTS	460/796		
AMP	39/22.5		
RPM	1125		
FRAME	326T	HZ	60
SER.F.	1.15	CODE	G
NEMA-NOM-EFF	88.5	PF	83
RATING	40C AMB-CONT		
CC		DES	D
DE	6312	ODE	6311
ENCL	TEFC	SN	
		PH	3
		CLASS	F
		USABLE AT 208V	

Nameplate NP0090E	
FRONT	6311
PULLEY	6312
LUBRICATE WITH	
GREASE	POLYREX EM

Parts List		
Part Number	Description	Quantity
SA190207	SA 12E383Y236	1.000 EA
RA177889	RA 12E383Y236	1.000 EA
10FN3001A02	310 FAN, PLASTIC 2.000 DIA. BORE	1.000 EA
10CB1000A04P	CONDUIT BOX, MACH W/EPOXY PRIMER	1.000 EA
09GS1010	GASKET, DWG, LEADWIRE SEPERATOR	1.000 EA
10XN3118K16	5/16-18 X 1' GRADE #5, STL, ZINC PLATE	4.000 EA
HW1001A31	LOCKWASHER 5/16, ZINC PLT.591 OD, .319 I	4.000 EA
WD1000B16	T&B CX70TN TERMINAL	1.000 EA
10XN2520K06	1/4-20 X 3/8" HX HD SCREWGRADE 5, ZINC P	1.000 EA
HW1001A25	LOCKWASHER 1/4, ZINC PLT .493 OD, .255 I	1.000 EA
12EP1107A85PP5	FR ENDPLATE, MACH W/EPOXY PRIMER & PAIN	1.000 EA
HA4051A00	PLASTIC CAP FOR GREASE FITTING	1.000 EA
HA3400A13	STUD, 1/2-13 X 7" WELKER	4.000 EA
HW4600B41	V-RING SLINGER 2.125 X 2.880 X 0.280	1.000 EA
HW5100A13	W4627-047 WVY WSHER	1.000 EA
10XN3118K36	5/16-18 X 2.25" HEX HD, GRADE 5	2.000 EA
10XN3118K40	5/16-18 X 2.50" HEX HD, GRADE 5	4.000 EA
12EP1106A02P	PU ENDPLATE, MACH W/EPOXY PRIMER	1.000 EA
HA4051A00	PLASTIC CAP FOR GREASE FITTING	1.000 EA
10XN5013K28	1/2-13 X 1.75 HEX HEAD MACH SCREW,GRAD	4.000 EA
HW1001A50	LOCKWASHER 1/2, ZINC PLT,.879 OD, .509 I	4.000 EA
HW4600B41	V-RING SLINGER 2.125 X 2.880 X 0.280	1.000 EA
12FH1002P	FAN COVER, CAST W/EPOXY PRIMER	1.000 EA
XY5013A12	NUT,1/2-13,HEX,STEEL,ZINCPLATED	4.000 EA

Parts List (continued)		
Part Number	Description	Quantity
HW1001A50	LOCKWASHER 1/2, ZINC PLT.,.879 OD, .509 I	4.000 EA
HW1001A50	LOCKWASHER 1/2, ZINC PLT.,.879 OD, .509 I	4.000 EA
10CB1503A01P	CONDUIT BOX LIPPED LID, MACH W/EPXY PRMR	1.000 EA
14GS1003	GASKET CONDUIT BOX LID, NEOP	1.000 EA
10XN2520K16	1/4-20 X 1" HX HD SCRW GRADE 5, ZINC P	4.000 EA
HW1001A25	LOCKWASHER 1/4, ZINC PLT .493 OD, .255 I	4.000 EA
HW2501H33	KEY, 1/2 SQ X 3.875	1.000 EA
MJ5001A27	32220KN GRAY SEALER *MIN BUY 4 QTS=1GAL	0.031 QT
LB1115N	LABEL,LIFTING DEVICE (ON ROLLS)	1.000 EA
HW4500A17	317400 ALEMITE GREASE RELIEF	1.000 EA
HA4017A03	.125 X 1.75 GREASE EXT (F/S)	1.000 EA
HW4019A01	PIPE COUPLING 1/8 NPT,STEEL,ZINC COATING	1.000 EA
HW4500A21	1618BALEMITE FITTING 825 UNIVERSAL	1.000 EA
HA4054	SHORT T-DRAIN FITTING, .125" N.P.T.	1.000 EA
HA4017A01	1/8 X 4 GREASE EXT (F/S)	1.000 EA
MJ1000A02	GREASE, POLYREX EM EXXON (USe 4824-15A)	0.200 LB
HW4500A17	317400 ALEMITE GREASE RELIEF	1.000 EA
HW4500A03	GREASE FITTING, .125 NPT 1610(ALEMITE) 8	1.000 EA
HA4054	SHORT T-DRAIN FITTING, .125" N.P.T.	1.000 EA
HW2500A25	WOODRUFF KEY USA #1008 #BLOW CARBON STEE	1.000 EA
HA6390A01	HOSE CLAMP FOR 3.12 DIA S.S. OR PLATED	1.000 EA
MG1025G03	WILKOFASST, 789.901, OIL RIG SILVER	0.080 GA
85XU0407S04	4X1/4 U DRIVE PIN STAINLESS	4.000 EA
LB1002N	LABEL,MARINE DUTY (ON ROLLS)	1.000 EA

Product Information Packet: OF4117T - 30HP,1125RPM,3PH,60HZ,326T,1262M,TEFC,F2

MN416A01	TAG-INSTAL-MAINT no wire (1200/bx) 11/14	1.000 EA
MJ5001A14	DYNAPRO SEAL, CP MOTORS VC#2508050 (603	0.030 EA
LB1119N	WARNING LABEL	1.000 EA
LC0034	CONNECTION LABEL	1.000 EA
NP2961E	ALUM CSA CC	1.000 EA
NP0090E	SS NO LOGO'S BEARING & GREASE DATA	1.000 EA
12PA1000	PACKAGING GROUP PRINT PK1024A06	1.000 EA

Accessories		
Part Number	Description	Multiplier
12-1105	C FACE KIT	A8
12EP1501A03SP	D-FLANGE KIT	A8

AC Induction Motor Performance Data

Record # 31315 - Typical performance - not guaranteed values

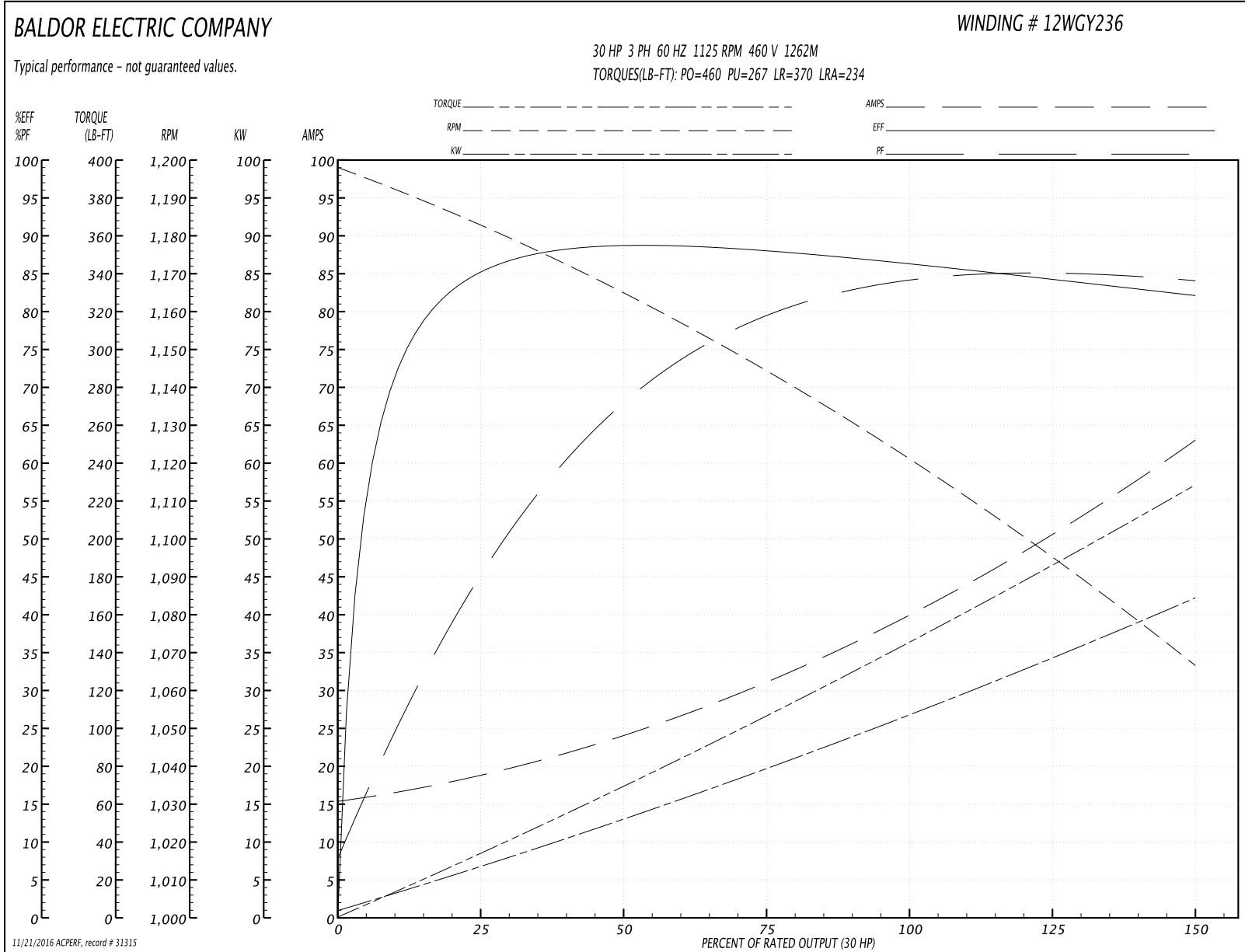
Winding: 12WGY236-R001	Type: 1262M	Enclosure: TEFC
-------------------------------	--------------------	------------------------

Nameplate Data				460 V, 60 Hz: Low Voltage Connection	
Rated Output (HP)	30			Full Load Torque	140 LB-FT
Volts	460/796			Start Configuration	direct on line
Full Load Amps	39/22.5			Breakdown Torque	460 LB-FT
R.P.M.	1125			Pull-up Torque	267 LB-FT
Hz	60	Phase	3	Locked-rotor Torque	370 LB-FT
NEMA Design Code	D	KVA Code	G	Starting Current	234 A
Service Factor (S.F.)	1.15			No-load Current	16.1 A
NEMA Nom. Eff.	88.5	Power Factor	83	Line-line Res. @ 25°C	0.211 Ω
Rating - Duty	40C AMB-CONT			Temp. Rise @ Rated Load	87°C
S.F. Amps				Temp. Rise @ S.F. Load	110°C

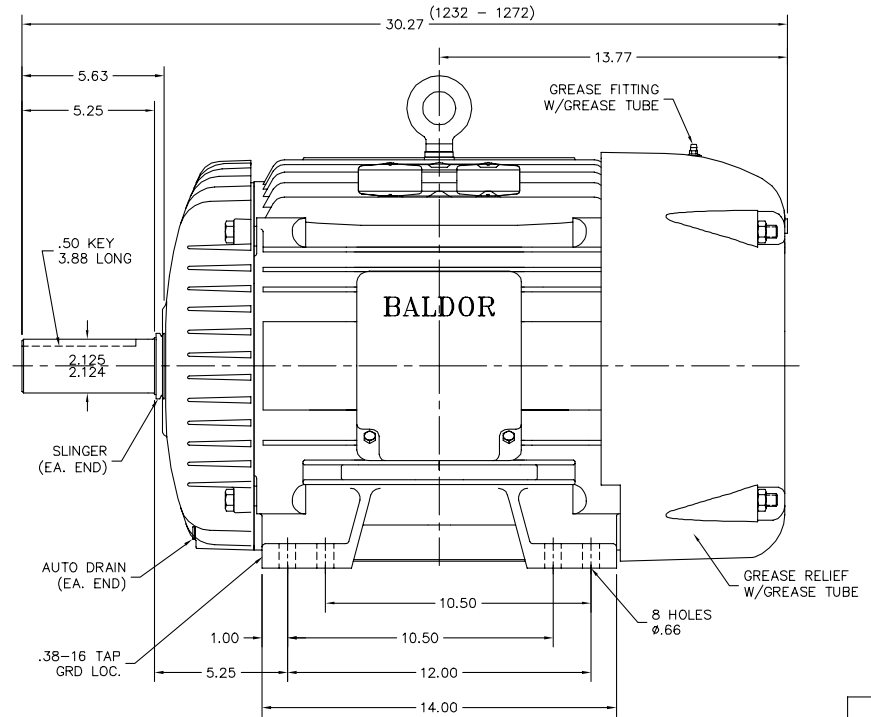
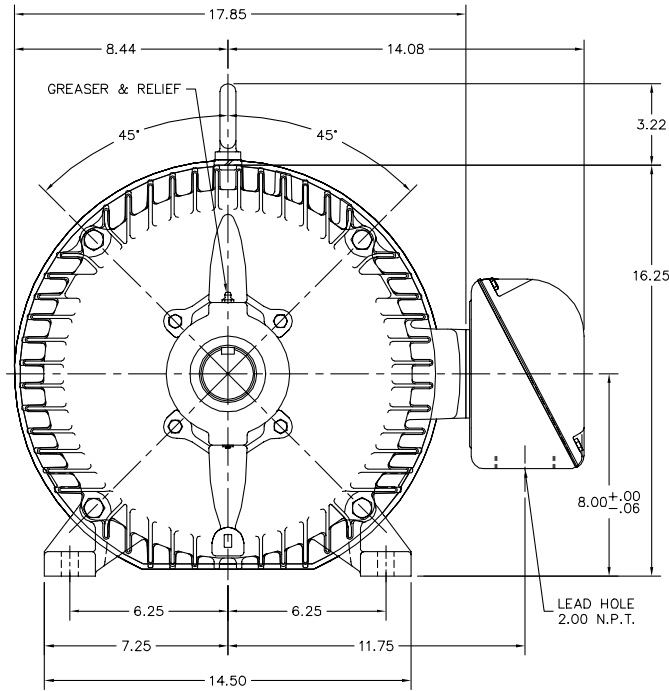
Load Characteristics 460 V, 60 Hz, 30 HP

% of Rated Load	25	50	75	100	125	150	S.F.
Power Factor	49	69	78	83	84	85	84
Efficiency	83.1	88	88.1	86.9	85	81.9	85.8
Speed	1182	1165	1147	1125	1100	1066	1110
Line amperes	17.7	23.4	30.7	39.1	49	62.7	45

Performance Graph at 460V, 60Hz, 30.0HP Typical performance - Not guaranteed values



12LYE383



12LYE383

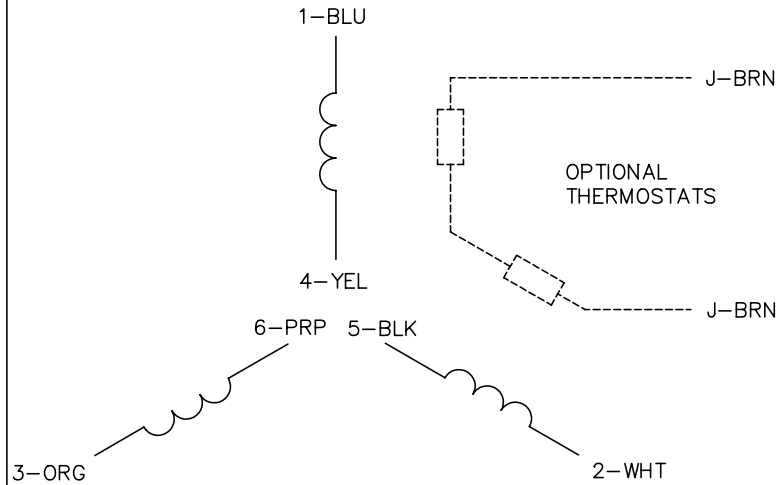
CUSTOMER IS RESPONSIBLE FOR DETERMINING THAT BALDOR'S PRODUCT WILL PERFORM SUITABLY IN THE INTENDED APPLICATION.

REV. DESC: ADDED GND HOLE TAP SIZE	VERSION: 04	TDR: 000000954909
REV. LTR: E	REvised: 11:25:16 12/07/2015	BY: ENNINDO
FILE: \AAA\00100\541		
MTL: -		

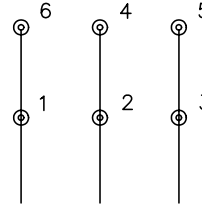
BALDOR

HORZ TEFC 324-6T F2 STD CP OIL FIELD PUMP
SH 1 of 1

CD0022

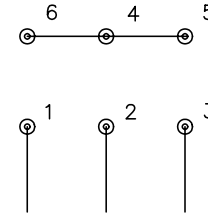


LOW VOLTAGE
(1D)



LINE

HIGH VOLTAGE
(1Y)



LINE

NOTES:

1. INTERCHANGE ANY TWO LINE LEADS TO REVERSE ROTATION.
2. OPTIONAL THERMOSTATS ARE PROVIDED WHEN SPECIFIED.
3. ACTUAL NUMBER OF INTERNAL PARALLEL CIRCUITS MAY BE A MULTIPLE OF THOSE SHOWN ABOVE.
4. LEAD COLORS ARE OPTIONAL. LEADS MUST ALWAYS BE NUMBERED AS SHOWN.

REV. DESC: REVISE TO SHOW OPTIONAL COLORS

REV. LTR: F

BY: JLP

REVISED: 01/21/99 3:54

TDR: 0171435

CD0022

FILE: AAA00005144

MDL: -

MTL: -

BALDOR ELECTRIC Co.

3PH, DV, 6 LEADS, DELTA/WYE CONNECTION

CD0022