

BALDOR® • *RELIANCE*

Product Information Packet

VBM3542-5

.75HP,1750RPM,3PH,60HZ,56C,3516M,TENV,F1

Part Detail							
Revision:	B	Status:	PRD/A	Change #:		Proprietary:	No
Type:	AC	Prod. Type:	3516M	Elec. Spec:	35WGN546	CD Diagram:	CD0006
Enclosure:	TENV	Mfg Plant:		Mech. Spec:	35E050	Layout:	35LYE050
Frame:	56C	Mounting:	F1	Poles:	04	Created Date:	08-05-2012
Base:	N	Rotation:	R	Insulation:	B	Eff. Date:	11-16-2016
Leads:	3#18					Replaced By:	
Literature:		Elec. Diagram:					

Nameplate NP1256L										
CAT.NO.	VBM3542-5									
SPEC.	35E050N546G1									
HP	.75									
VOLTS	575									
AMP	1.9									
RPM	1750									
FRAME	56C				HZ	60			PH	3
SER.F.	1.00		CODE	M	DES	B		CLASS	B	
NEMA-NOM-EFF	80		PF	74						
RATING	40C AMB-CONT									
CC									USABLE AT 208V	
DE	6205				ODE	6203				
ENCL	TENV		SN							

Parts List		
Part Number	Description	Quantity
SA248989	SA 35E050N546G1	1.000 EA
RA235855	RA 35E050N546G1	1.000 EA
NS2512A01	INSULATOR, CONDUIT BOX X	1.000 EA
35CB3007	35 CB CASTING W/.88 DIA. LEAD HOLE	1.000 EA
36GS1000	GASKET-CONDUIT BOX, .06 THICK #SV-330 LE	1.000 EA
51XB1016A07	10-16 X 7/16 HXWSSLD SERTYB	2.000 EA
11XW1032G06	10-32 X .38, TAPTITE II, HEX WSHR SLTD U	1.000 EA
35EP3900T01	SPL FACE MTD FR EP-ENCL-W/STEARNS BRAKE	1.000 EA
HW5100A03SP	WAVY WASHER (W1543-017)	1.000 EA
35EP3300A33	SPL FACE MTD EP -ENCL-205 BRG	1.000 EA
51XN1032A20	10-32 X 1 1/4 HX WS SL SR	2.000 EA
HW2501D10	KEY, 3/16 SQ X 1.000	1.000 EA
35CB4521GX	CONDUIT BOX LID KIT	1.000 EA
51XW0832A07	8-32 X .44, TAPTITE II, HEX WSHR SLTD SE	4.000 EA
HW2501D13	KEY, 3/16 SQ X 1.375	1.000 EA
HA7000A04	KEY RETAINER 0.625 DIA SHAFTS	1.000 EA
85XU0407S04	4X1/4 U DRIVE PIN STAINLESS	2.000 EA
MJ1000A02	GREASE, POLYREX EM EXXON (USe 4824-15A)	0.050 LB
84XN3816J28	HEX SOC HD, 3/8-16 X 1.75 LONG	2.000 EA
MG1000G27	MED CHARCOAL METALLIC GREY 400-0096	0.017 GA
HA3100A12	THRUBOLT 10-32 X 7.375	4.000 EA
76BK2100BNF	1-056-021-00-BNF BRAKE TDR# 79345	1.000 EA
LB1119N	WARNING LABEL	1.000 EA
LB1185	LABEL,BRAKE CONNECTION (ON ROLLS)	1.000 EA

Parts List (continued)		
Part Number	Description	Quantity
LC0006	CONNECTION LABEL	1.000 EA
NP1256L	ALUM UL CSA CC	1.000 EA
36PA1000	PKG GRP, PRINT PK1016A06	1.000 EA
PK3082	STYROFOAM CRADLE	1.000 EA
MN416A01	TAG-INSTAL-MAINT no wire (1200/bx) 11/14	1.000 EA

AC Induction Motor Performance Data

Record # 39336 - Typical performance - not guaranteed values

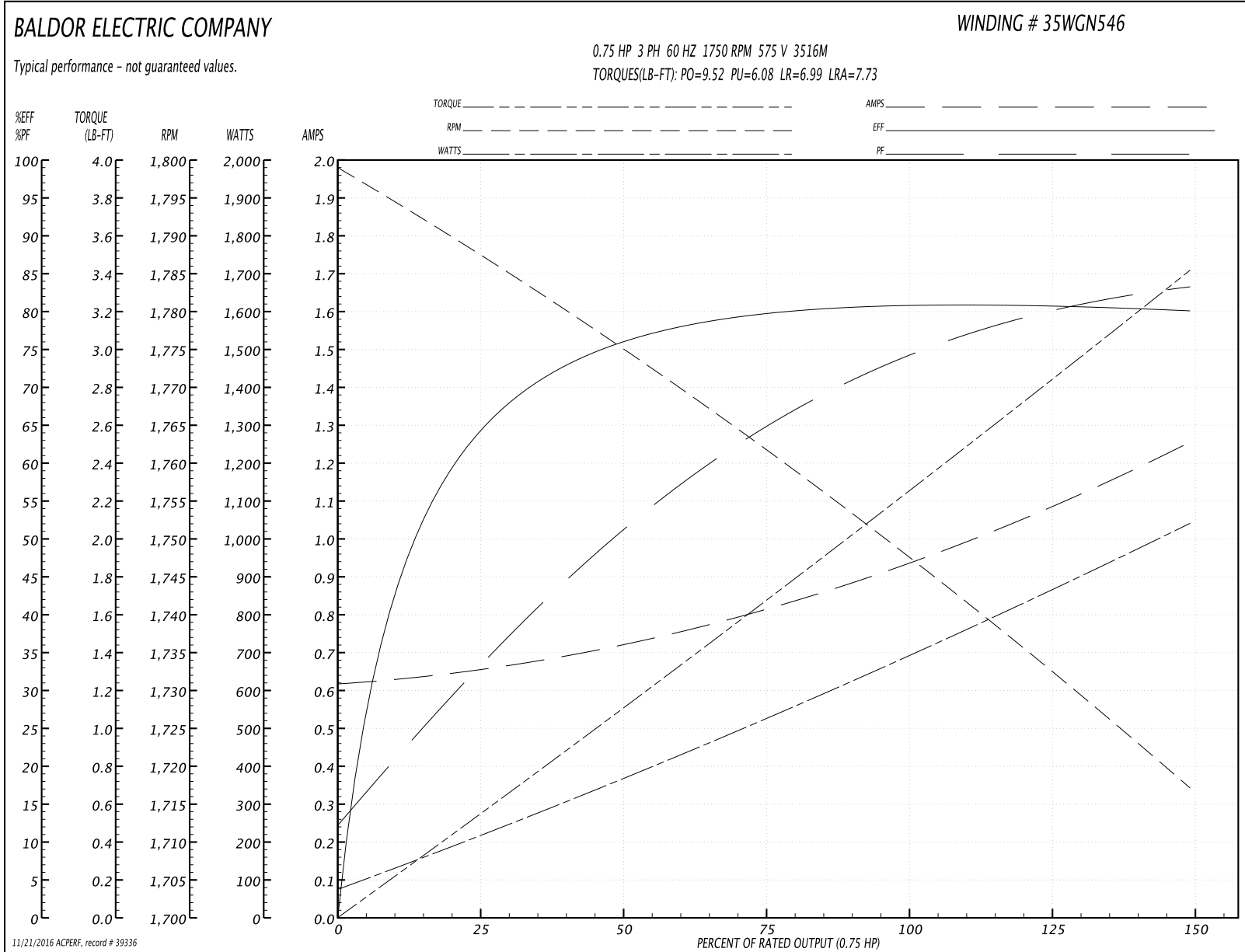
Winding: 35WGN546-R001	Type: 3516M	Enclosure: TENV
-------------------------------	--------------------	------------------------

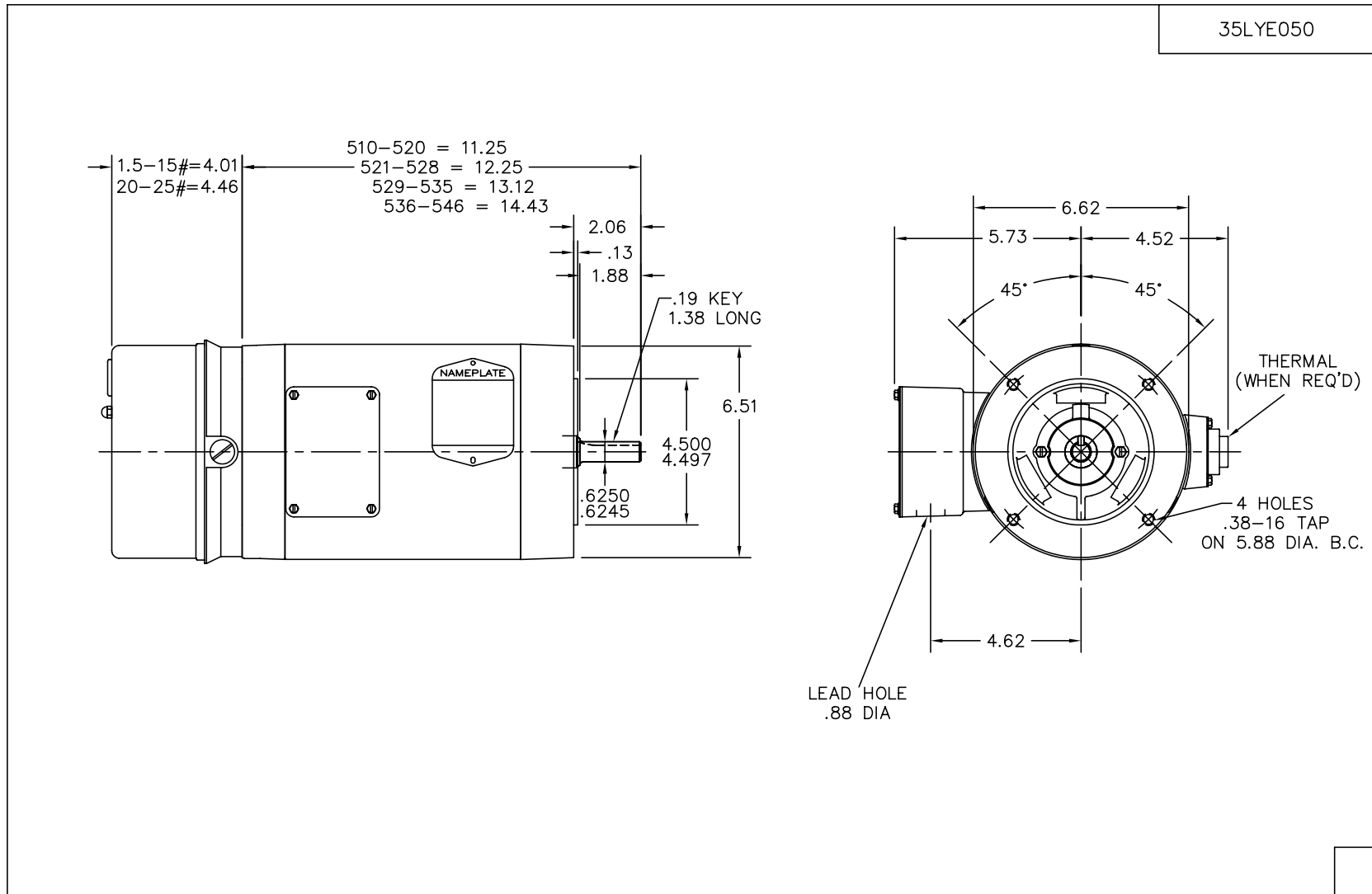
Nameplate Data				575 V, 60 Hz: Single Voltage Motor	
Rated Output (HP)	.75			Full Load Torque	2.24 LB-FT
Volts	575			Start Configuration	direct on line
Full Load Amps	1.9			Breakdown Torque	9.52 LB-FT
R.P.M.	1750			Pull-up Torque	6.08 LB-FT
Hz	60	Phase	3	Locked-rotor Torque	6.99 LB-FT
NEMA Design Code	B	KVA Code	M	Starting Current	7.73 A
Service Factor (S.F.)	1			No-load Current	0.622 A
NEMA Nom. Eff.	80	Power Factor	74	Line-line Res. @ 25°C	36.4 Ω
Rating - Duty	40C AMB-CONT			Temp. Rise @ Rated Load	63°C
				Locked-rotor Power Factor	65
				Rotor inertia	0.0946 LB-FT ²

Load Characteristics 575 V, 60 Hz, 0.75 HP

% of Rated Load	25	50	75	100	125	150
Power Factor	33	52	64	74	79	84
Efficiency	62.9	76.3	79.6	80.9	80.8	80.1
Speed	1788	1775	1762	1748	1733	1717
Line amperes	0.649	0.715	0.814	0.934	1.09	1.25

Performance Graph at 575V, 60Hz, 0.75HP Typical performance - Not guaranteed values





CUST. NAME		CUST. P.O.		CERTIFIED BY		MODEL		INSUL		AMB	
H.P.		MTG		TYPE		R.P.M.		VOLTS		ENCL	
PHASE		FREQ		FRAME							
REV. DESC: CHG'D CONDUIT BOX AND LID (SEE EC09)											
REV. LTR: G		BY: JED		REVISED: 03/25/99 2:01				TDR: 0171799			
0503AL952				FILE: AAA00006076				MDL: -			
MTL: -				BALDOR ELECTRIC Co. STD VERT 56C TENV 35M W/BRAKE							

35LYE050

CD0006



NOTES:

1. THREE LEAD MOTOR MAY BE EITHER WYE CONNECTED OR DELTA CONNECTED.
2. INTERCHANGE ANY TWO LINE LEADS TO REVERSE ROTATION.
3. OPTIONAL THERMOSTATS ARE PROVIDED WHEN SPECIFIED.
4. ACTUAL NUMBER OF INTERNAL PARALLEL CIRCUITS MAY VARY.
5. LEAD COLORS ARE OPTIONAL. LEADS MUST BE NUMBERED AS SHOWN.

REV. DESC: REVISE TO SHOW OPTIONAL COLORS			
REV. LTR: D	BY: JLP	REVISED: 01/21/99 4:02	TDR: 0171435
9000D		FILE: AAA00005141	MDL: -
		MTL: -	

BALDOR ELECTRIC Co.

3PH, SV, 3 LEADS, WYE OR DELTA CONNECTED

CD0006