

BALDOR® • RELIANCE

Product Information Packet

VEM7056T-I

20//15HP,1765//1465RPM,3PH,60//50HZ,256T

Part Detail							
Revision:	J	Status:	PRD/A	Change #:		Proprietary:	No
Type:	AC	Prod. Type:	0952M	Elec. Spec:	09WGW772	CD Diagram:	CD0180
Enclosure:	XPFC	Mfg Plant:		Mech. Spec:	09F525	Layout:	09LYF525
Frame:	256TC	Mounting:	F1	Poles:	04	Created Date:	11-22-2013
Base:	N	Rotation:	R	Insulation:	F	Eff. Date:	06-06-2016
Leads:	9#12					Replaced By:	
Literature:		Elec. Diagram:					

Nameplate NP0977XPSLEV										
NO.						CC	010A			
SER.							TEMP CODE	T3C		
SPEC.	09F525W772G2									
CAT.NO.	VEM7056T-I									
HP	20//15 NEMA MG-1 PT.5,IP55									
VOLTS	230/460//190/380									
AMPS	48/24//44/22									
RPM	1765//1465					MOTOR WEIGHT	393			
HERTZ	60//50	PH	3	CL	F	DE BRG	6309			
SER.F.	1.15	DES	A	CODE	H	ODE BRG	6208			
FRAME	256TC		GREASE	POLYREX EM						
RATING	40C AMB-CONT									
USABLE AT 208V	52			NEMA-NOM-EFF	93		PF	84		
	55C AMB @ 1.0 SF,60C RISE									

Parts List		
Part Number	Description	Quantity
SA272788	SA 09F525W772G2	1.000 EA
RA259393	RA 09F525W772G2	1.000 EA
HW1002A63	WASHER, 5/8 HI-COLLAR SPRLCKWASHER	1.000 EA
MJ5000A01	SEALANT, CHICO A COMPOUND	0.050 LB
09CB1003A01	CONDUIT BOX MACH. GROUP C MTRS	1.000 EA
10XN3118K24	5/16-18 X 1.50" HEX HD, GRADE 5	4.000 EA
HW1001A31	LOCKWASHER 5/16, ZINC PLT.591 OD, .319 I	4.000 EA
09EP1700A33E	FR ENDPLATE, MACH, XPFC W/E-COAT	1.000 EA
WD1000B25	GND LUG, BURNDY L125HP OR T&B L125HP-BB	1.000 EA
10XN3118K12	5/16-18 X .75 GRADE 5, ZINC PLATED	1.000 EA
HW1001A31	LOCKWASHER 5/16, ZINC PLT.591 OD, .319 I	1.000 EA
HW3023E06	.125 X .625 SPIRAL SPRING PIN	1.000 EA
10XN3816K28	3/8-16 X 1.75 HEX HD CAP SCREW, GRADE 5	4.000 EA
HW1001A38	LOCKWASHER 3/8, ZINC PLT .688 OD, .382 I	4.000 EA
HW5100A08	W3118-035 WVY WSHR (WB)	1.000 EA
10XN2520K36	1/4-20 X 2.25" HX HD SCRWGRADE 5, ZINC P	4.000 EA
HW1001A25	LOCKWASHER 1/4, ZINC PLT .493 OD, .255 I	4.000 EA
09EP1708A19E	PUEP, MACH W/E-COAT, METAL SLINGER	1.000 EA
HW3023E06	.125 X .625 SPIRAL SPRING PIN	1.000 EA
10XN3816K28	3/8-16 X 1.75 HEX HD CAP SCREW, GRADE 5	4.000 EA
HW1001A38	LOCKWASHER 3/8, ZINC PLT .688 OD, .382 I	4.000 EA
HA2066A01	SLINGER, ALUM (AUTO)	1.000 EA
80XN1032A07	SET SCREW, HEX XOCK, ZN	1.000 EA
09FH1004A03	FAN COVER, MACH	1.000 EA

Parts List (continued)		
Part Number	Description	Quantity
10XN2520K14	1/4-20 X .88 HEX GRD 5 (20001)	3.000 EA
HW1001A25	LOCKWASHER 1/4, ZINC PLT .493 OD, .255 I	3.000 EA
09CB1502A01	CONDUIT BOX LID MACH. GROUP C MTRS	1.000 EA
84XN5013J24	1/2-13 X 1-1/2 HEX SOCKET HD CAP SCREW	6.000 EA
HW1001A50	LOCKWASHER 1/2, ZINC PLT.,.879 OD, .509 I	6.000 EA
HW2501G25	KEY, 3/8 SQ X 2.875	1.000 EA
LB1115N	LABEL,LIFTING DEVICE (ON ROLLS)	1.000 EA
LB1081	ALUM XP CAUTION LABEL	1.000 EA
MN416A01	TAG-INSTAL-MAINT no wire (1200/bx) 11/14	1.000 EA
PK6014	STEEL STRAP FOR 309-312 BASELESS MOTORS	3.000 EA
19XW3118A08	.31-18 X .50 HEX WASHER HEAD TAPTITE II	3.000 EA
HW4500A20	1/8NPT SL PIPE PLUG	2.000 EA
HW4505A02	BREATHER/DRAIN-EXP PROOF-.250-18 PTF AIS	1.000 EA
MJ1000A02	GREASE, POLYREX EM EXXON (USe 4824-15A)	0.080 LB
HW4500A20	1/8NPT SL PIPE PLUG	2.000 EA
HW4505A02	BREATHER/DRAIN-EXP PROOF-.250-18 PTF AIS	1.000 EA
09FN3001D01	EXTERNAL FAN, PLASTIC	1.000 EA
HW2500A25	WOODRUFF KEY USA #1008 #BLOW CARBON STEE	1.000 EA
51XB1214A20	12-14X1.25 HXWSSLD SERTYB	1.000 EA
MG1025G05	WILKOFASST, 789.227, MED. GRAY CHAR. MET.	0.050 GA
85XU0407S04	4X1/4 U DRIVE PIN STAINLESS	6.000 EA
LB1119N	WARNING LABEL	1.000 EA
LC0181	CONNECTION LABEL	1.000 EA
NP0977XPSLEV	SS XP UL CSA-EEV CC CL-I GP-C&D	1.000 EA

40PA1017	PACKAGING GROUP, 09 VERT LARGE FLANGE	1.000 EA
----------	---------------------------------------	----------

AC Induction Motor Performance Data

Record # 29067 - Typical performance - not guaranteed values

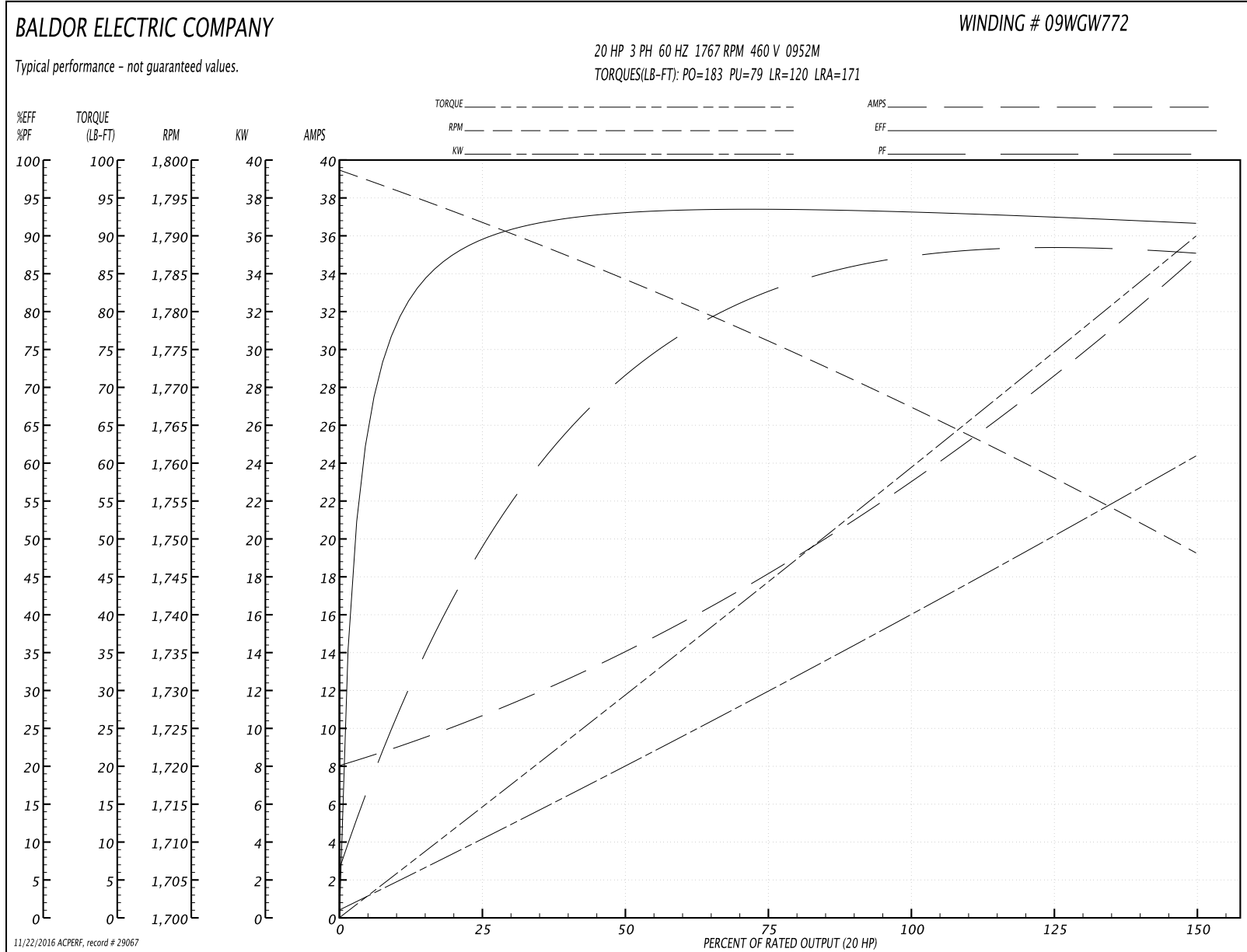
Winding: 09WGW772-R023	Type: 0952M	Enclosure: XPFC
-------------------------------	--------------------	------------------------

Nameplate Data				460 V, 60 Hz: High Voltage Connection	
Rated Output (HP)	20//15			Full Load Torque	60 LB-FT
Volts	230/460//190/380			Start Configuration	direct on line
Full Load Amps	48/24//44/22			Breakdown Torque	183 LB-FT
R.P.M.	1765//1465			Pull-up Torque	79 LB-FT
Hz	60//50	Phase	3	Locked-rotor Torque	120 LB-FT
NEMA Design Code	A	KVA Code	H	Starting Current	171 A
Service Factor (S.F.)	1.15			No-load Current	8.5 A
NEMA Nom. Eff.	93	Power Factor	84	Line-line Res. @ 25°C	0.414 Ω
Rating - Duty	40C AMB-CONT			Temp. Rise @ Rated Load	57°C
S.F. Amps				Temp. Rise @ S.F. Load	70°C
				Locked-rotor Power Factor	32.7
				Rotor inertia	2.27 LB-FT ²

Load Characteristics 460 V, 60 Hz, 20 HP

% of Rated Load	25	50	75	100	125	150	S.F.
Power Factor	52	74	83	85	88	88	87
Efficiency	89.6	92.9	93.5	93.2	92.5	91.6	92.8
Speed	1791	1784	1776	1767	1758	1748	1762
Line amperes	10.2	13.8	18.4	23.9	28.8	34.6	26.8

Performance Graph at 460V, 60Hz, 20.0HP Typical performance - Not guaranteed values



AC Induction Motor Performance Data

Record # 32905 - Typical performance - not guaranteed values

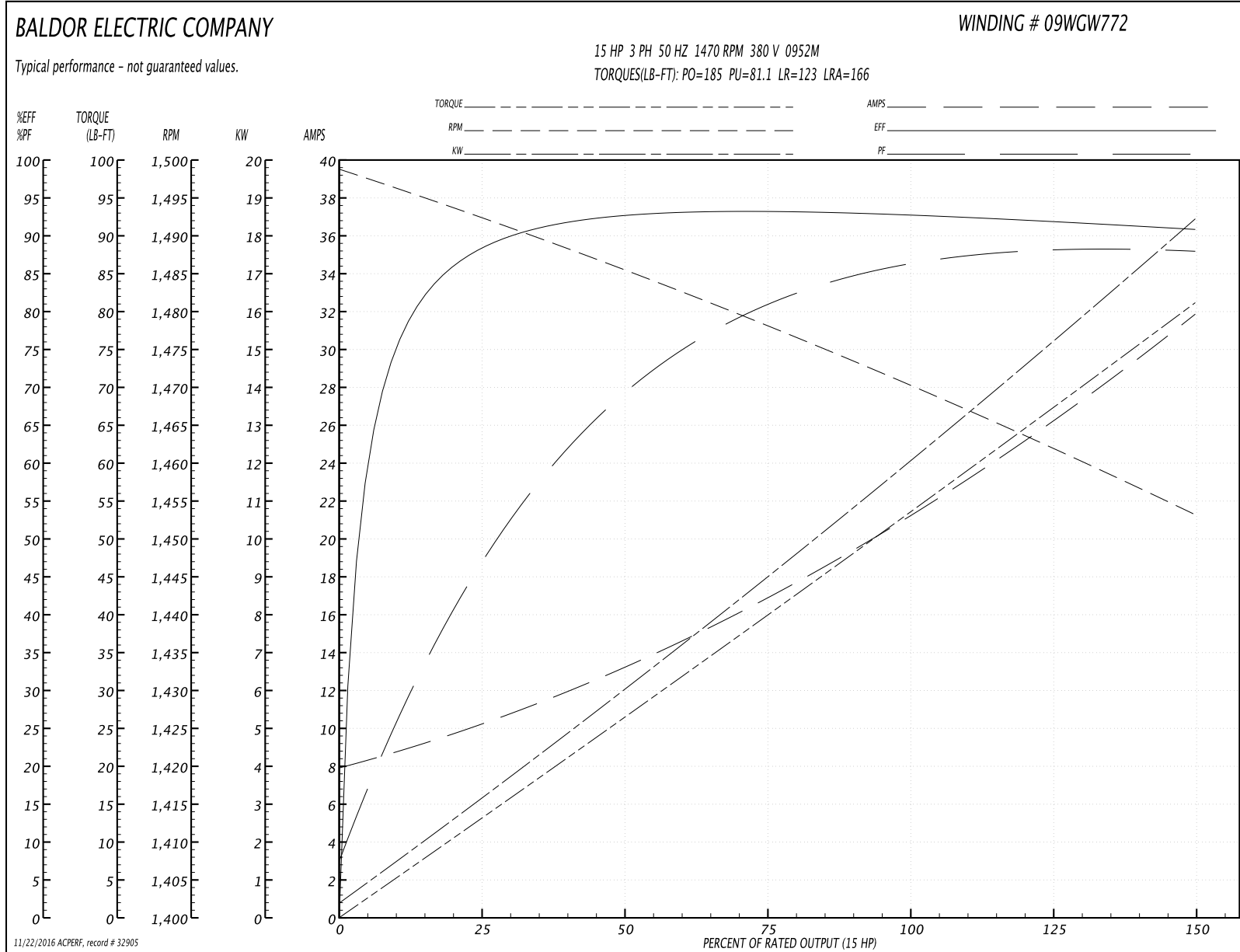
Winding: 09WGW772-R023	Type: 0952M	Enclosure: XPFC
-------------------------------	--------------------	------------------------

Nameplate Data				380 V, 50 Hz: High Voltage Connection	
Rated Output (HP)	20//15			Full Load Torque	54.1 LB-FT
Volts	230/460//190/380			Start Configuration	direct on line
Full Load Amps	48/24//44/22			Breakdown Torque	185 LB-FT
R.P.M.	1765//1465			Pull-up Torque	81.1 LB-FT
Hz	60//50	Phase	3	Locked-rotor Torque	123 LB-FT
NEMA Design Code	A	KVA Code	H	Starting Current	166 A
Service Factor (S.F.)	1.15			No-load Current	8.33 A
NEMA Nom. Eff.	93	Power Factor	84	Line-line Res. @ 25°C	0.414 Ω
Rating - Duty	40C AMB-CONT			Temp. Rise @ Rated Load	47°C
S.F. Amps				Temp. Rise @ S.F. Load	58°C
				Locked-rotor Power Factor	36.1
				Rotor inertia	2.27 LB-FT ²

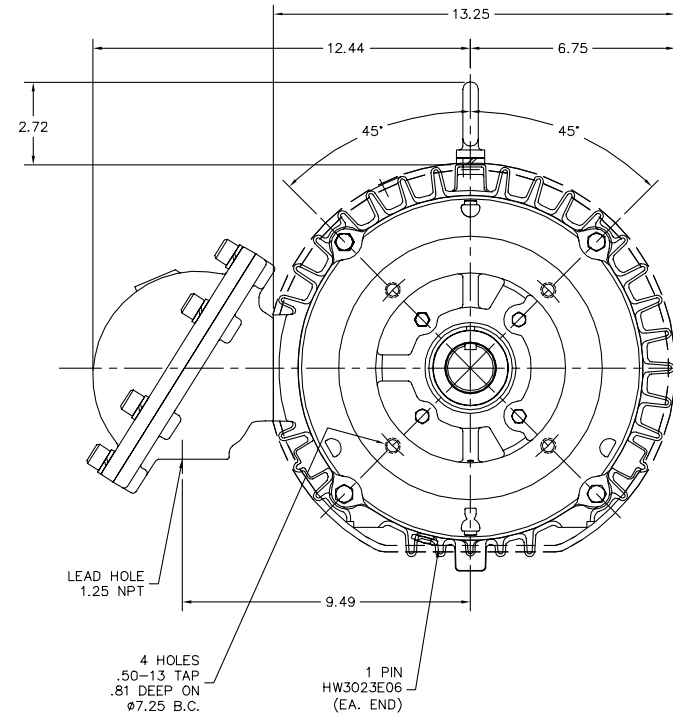
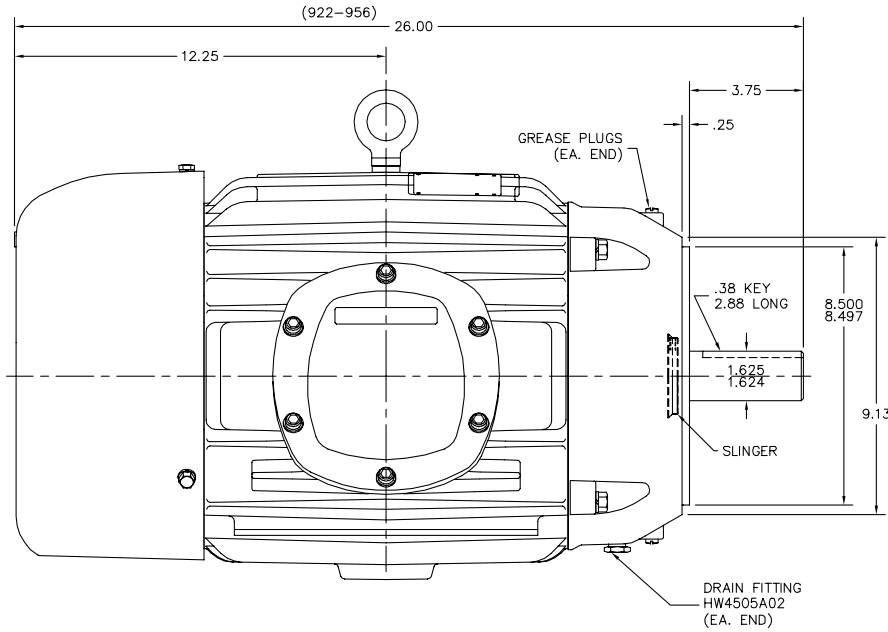
Load Characteristics 380 V, 50 Hz, 15 HP

% of Rated Load	25	50	75	100	125	150	S.F.
Power Factor	50	72	81	84	88	89	86
Efficiency	88.3	92.5	93.2	92.8	91.9	90.8	92.3
Speed	1492	1485	1478	1470	1462	1453	1465
Line amperes	9.8	13	17.1	22	26.4	31.6	24.6

Performance Graph at 380V, 50Hz, 15.0HP Typical performance - Not guaranteed values



09LYF525



09LYF525

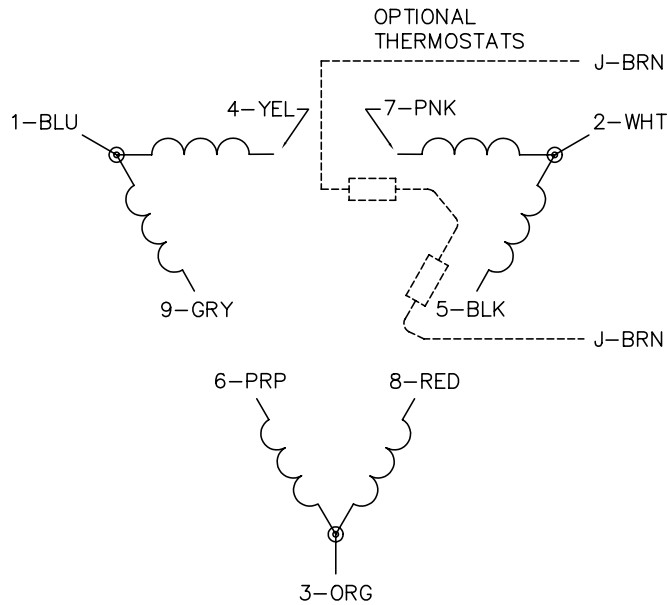
CUSTOMER IS RESPONSIBLE FOR DETERMINING THAT BALDOR'S PRODUCT WILL PERFORM SUITABLY IN THE INTENDED APPLICATION.

REV. DESC: REMOVE LOCKNUT	VERSION: 02	TDR: 000000955197
REV. LTR: D	REVISED: 03:37:33 11/30/2015	BY: ENMARSO
FILE: \AAA\00084\120		
MTL: -		

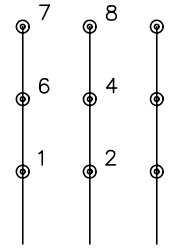
BALDOR

VERT XPFC 254-6TC, CL.I GRP.C&D ONLY, DRILL RIG
SH 1 of 1

CD0180

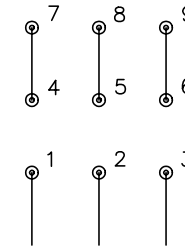


LOW VOLTAGE
(2D)



LINE

HIGH VOLTAGE
(1D)



LINE

NOTES:

1. INTERCHANGE ANY TWO LINE LEADS TO REVERSE ROTATION.
2. OPTIONAL THERMOSTATS ARE PROVIDED WHEN SPECIFIED.
3. ACTUAL NUMBER OF INTERNAL PARALLEL CIRCUITS MAY BE A MULTIPLE OF THOSE SHOWN ABOVE.
4. LEAD COLORS ARE OPTIONAL. LEADS MUST ALWAYS BE NUMBERED AS SHOWN.

REV. DESC: REVISE TO SHOW OPTIONAL COLORS			
REV. LTR: C	BY: JLP	REVISED: 01/21/99 2:28	TDR: 0171435
0810D0		FILE: AAA00005148	MDL: -
		MTL: -	

BALDOR ELECTRIC Co.

3PH, DV, 9 LEADS, DELTA CONNECTION

CD0180