

BALDOR® • RELIANCE

Product Information Packet

VFD FL3610TM

3HP, 1750RPM, 1PH, 60HZ, 184TC, 3640LC, TEFC, F

Part Detail							
Revision:	C	Status:	PRD/A	Change #:		Proprietary:	No
Type:	AC	Prod. Type:	3640LC	Elec. Spec:	36WGY739	CD Diagram:	CD0002A02
Enclosure:	TEFC	Mfg Plant:		Mech. Spec:	36Q454	Layout:	36LYQ454
Frame:	184TC	Mounting:	F2	Poles:	04	Created Date:	03-07-2015
Base:	N	Rotation:	R	Insulation:	F	Eff. Date:	08-26-2015
Leads:	2#14 A PH,3#16 B&J					Replaced By:	
Literature:		Elec. Diagram:					

Nameplate NP1280L											
CAT.NO.	VFDFL3610TM										
SPEC.	36Q454Y739G1										
HP	3										
VOLTS	230										
AMP	15.5										
RPM	1750										
FRAME	184TC				HZ	60			PH	1	
SER.F.	1.00				CODE	M		DES	L	CL	F
NEMA-NOM-EFF	80				PF	76					
RATING	40C AMB-CONT										
CC								USABLE AT 208V			
DE	6206				ODE	6205					
ENCL	TEFC				SN						

Parts List		
Part Number	Description	Quantity
SA295493	SA 36Q454Y739G1	1.000 EA
RA281555	RA 36Q454Y739G1	1.000 EA
TPBRD3929SP	THERMAL 1PH 1.25 MAN REF BRD2945 TDR #58	1.000 EA
36CB1000A82	KOBX, MACH LEAD HOLE @6, MTO @9	1.000 EA
37GS1000	GASKET, CONDUIT BOX STD., .06 THICK LEXI	1.000 EA
51XB1016A10	10-16X 5/8HXWSSLD SERTYB	2.000 EA
NS2500A02	INSULATOR, MAN THER PROT	1.000 EA
HA6015A08	THERMAL RETAINER (PLATED)	1.000 EA
RM1014A01SP	BUTYL RUB.THRM COV. (MENA)	1.000 EA
51XB1214A10	12-14 X 5/8HX WS SL SR TYBX	2.000 EA
11XW1032G06	10-32 X .38, TAPTITE II, HEX WSHR SLTD U	1.000 EA
HW3001B01	BRASS CUP WASHER, FOR #8 SCREW	1.000 EA
36FE3104A01	FREP MACH ASSEMBLY FOR ROUTING	1.000 EA
HW4500A01	1641B(ALEMITE)400 UNIV, GREASE FITT	1.000 EA
13XF0832A08	8-32 X.50 PAN HD,SLTD, TYPE F SCREW, ZIN	2.000 EA
36GS3000	GASKET, CAPACITOR COVER LEXIDE	1.000 EA
10XN2520A12	O1/4-20X 3/4 HEX HEAD CAP	2.000 EA
HW5100A05	WVY WSHR F/205 & 304 BRGS	1.000 EA
36EP1300A44	PULLEY 182-4TC ENCL 206 BRG W/O GRSR W/	1.000 EA
HW4600B50SP	SEAL 1.156 X 1.874 X 0.250 SINGLE LIP DB	1.000 EA
HW4600B36SP	V-RING SLINGER 1.188 X 1.690 X .24 VITON	1.000 EA
10XN2520A24	1/4-20X 1 1/2 HEX HD X	4.000 EA
HW1001A25	LOCKWASHER 1/4, ZINC PLT .493 OD, .255 I	4.000 EA
XY2520A12	1/4-20 HEX NUT, DIRECTIONAL SERRATIONS	4.000 EA

Parts List (continued)		
Part Number	Description	Quantity
51XB1214A16	12-14X1.00 HXWSSLD SERTYB	1.000 EA
36FH4009A102	IEC FH GREASER PRIMED	1.000 EA
51XW1032A06	10-32 X .38, TAPTITE II, HEX WSHR SLTD S	3.000 EA
36CB4516	36 LIPPED CB LID	1.000 EA
37GS1001	GASKET, CONDUIT BOX LID, .06 THICK LEXID	1.000 EA
51XW0832A07	8-32 X .44, TAPTITE II, HEX WSHR SLTD SE	4.000 EA
HW2501E16	3KEY, 1/4 SQ X 1.750	1.000 EA
HA7000A02	KEY RETAINER RING, 1 1/8 DIA, 1 3/8 DIA	1.000 EA
85XU0407S04	4X1/4 U DRIVE PIN STAINLESS	2.000 EA
LB1087	LABEL,MANUAL RESET (ROLL LABEL)	1.000 EA
MJ5001A27	32220KN GRAY SEALER *MIN BUY 4 QTS=1GAL	0.001 QT
36CB5005A10	CAPACITOR BOX KIT,36CB3800,EC1216C06	1.000 EA
MJ1000A02	GREASE, POLYREX EM EXXON (USe 4824-15A)	0.050 LB
36FN3000A01SP	EXFN, PLASTIC, 7.00 OD, .912 ID	1.000 EA
MG1025C02	WILKOFASST SG, 787.105, TAN	0.022 GA
HA3101A28	THRUBOLT 1/4-20 X 12.500 OHIO ROD	4.000 EA
TP5059	GENERIC THERMAL KIT	1.000 EA
SP5172A21	37 TYPE L TORQ STAT SWITCH LEAD ASSEMBLY	1.000 EA
LC0002	CONNECTION LABEL	1.000 EA
LB1119N	WARNING LABEL	1.000 EA
MN416A01	TAG-INSTAL-MAINT no wire (1200/bx) 11/14	1.000 EA
NP1280L	ALUM FARM DUTY UL CSA CC THERMAL	1.000 EA
PK3082	STYROFOAM CRADLE	1.000 EA
G7PA1000	PKG GRP, PRINT PK1034A06	1.000 EA

AC Induction Motor Performance Data

Record # 11466 - Typical performance - not guaranteed values

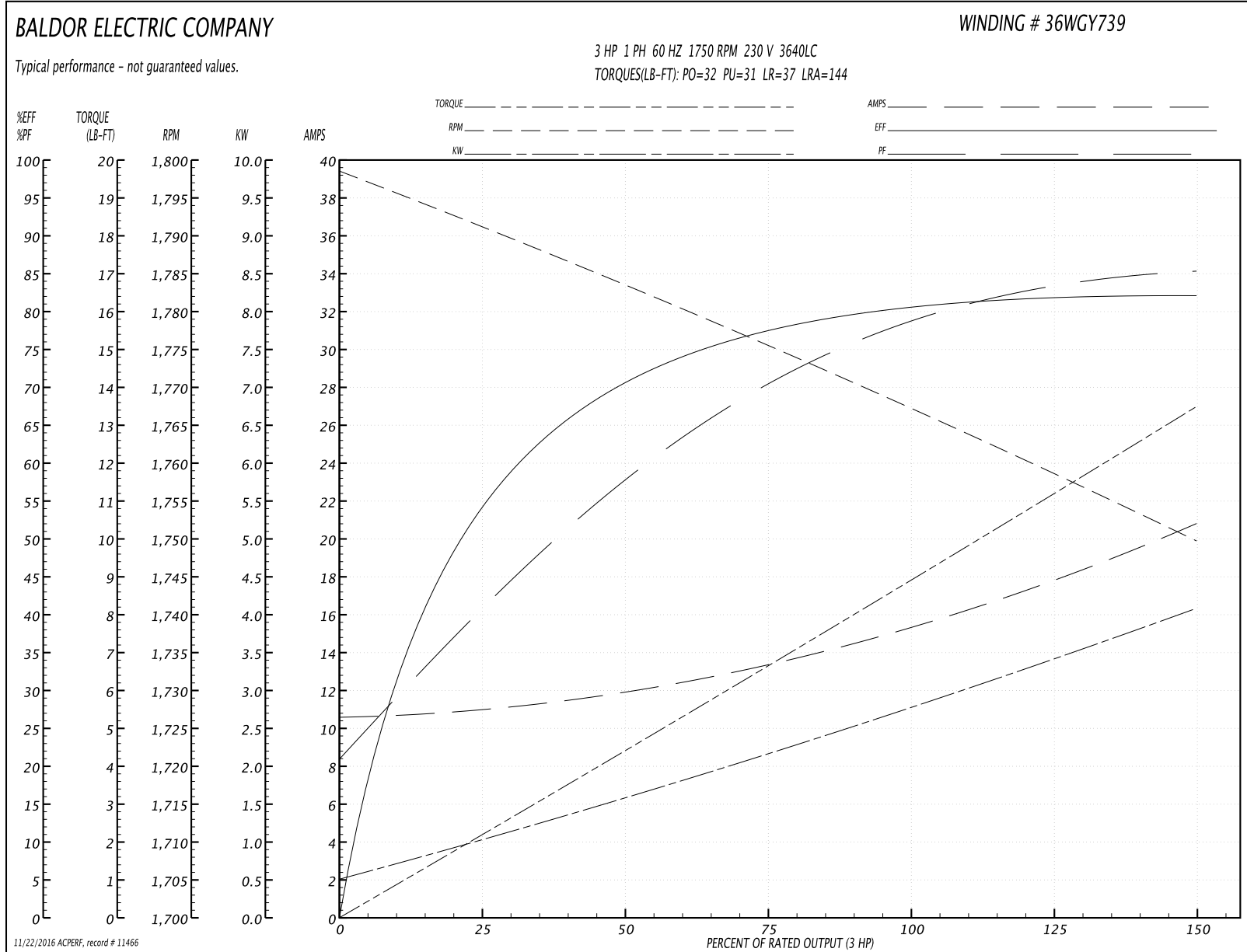
Winding: 36WGY739-R001	Type: 3640LC	Enclosure: TEFC
-------------------------------	---------------------	------------------------

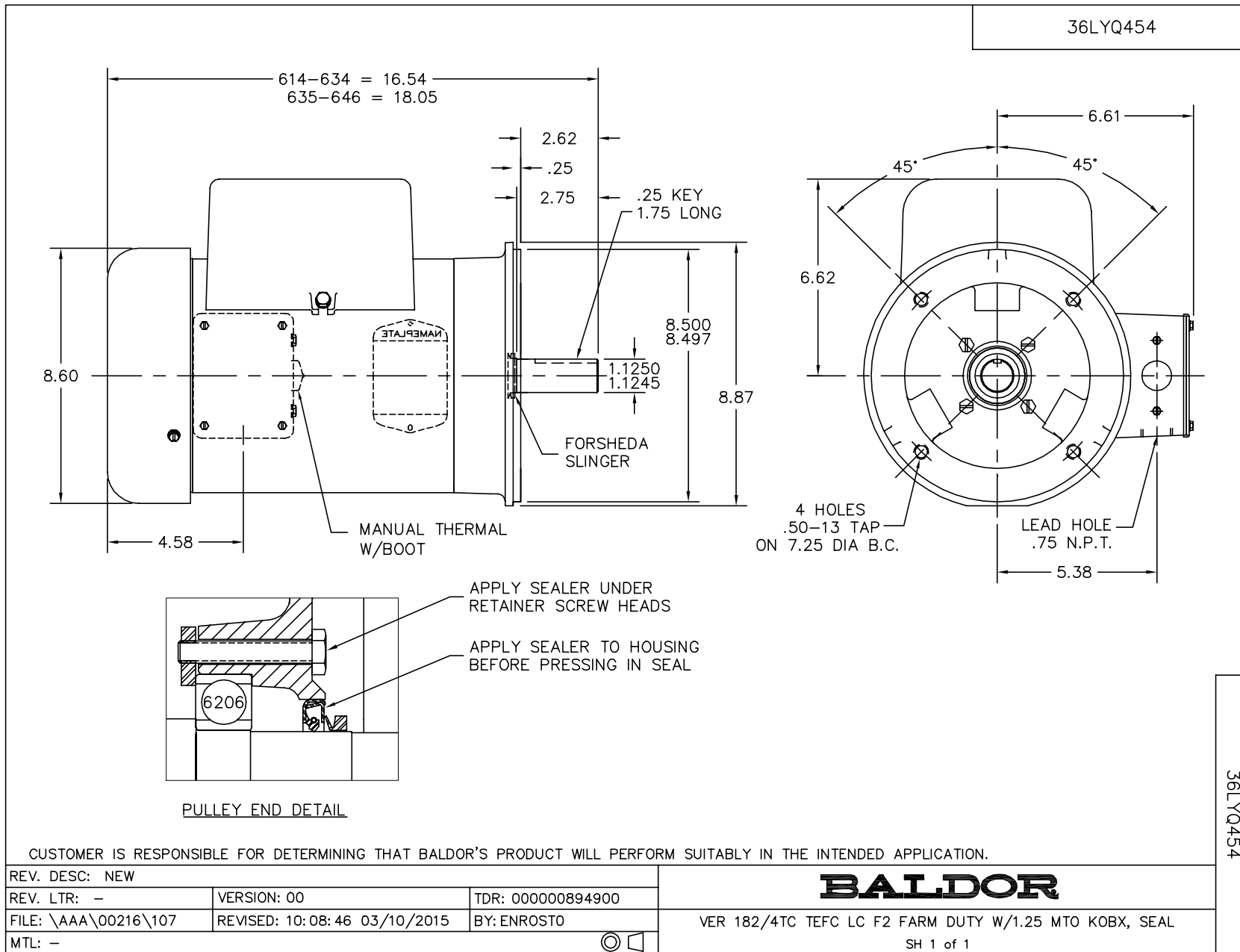
Nameplate Data				230 V, 60 Hz: Single Voltage Motor	
Rated Output (HP)	3			Full Load Torque	9 LB-FT
Volts	230			Start Configuration	direct on line
Full Load Amps	15.5			Breakdown Torque	32 LB-FT
R.P.M.	1750			Pull-up Torque	31 LB-FT
Hz	60	Phase	1	Locked-rotor Torque	37 LB-FT
NEMA Design Code	L	KVA Code	M	Starting Current	144 A
Service Factor (S.F.)	1			No-load Current	10.7 A
NEMA Nom. Eff.	80	Power Factor	76	Line-line Res. @ 25°C	0.472 Ω A Ph 1.53 Ω B Ph
Rating - Duty	40C AMB-CONT			Temp. Rise @ Rated Load	85°C

Load Characteristics 230 V, 60 Hz, 3 HP

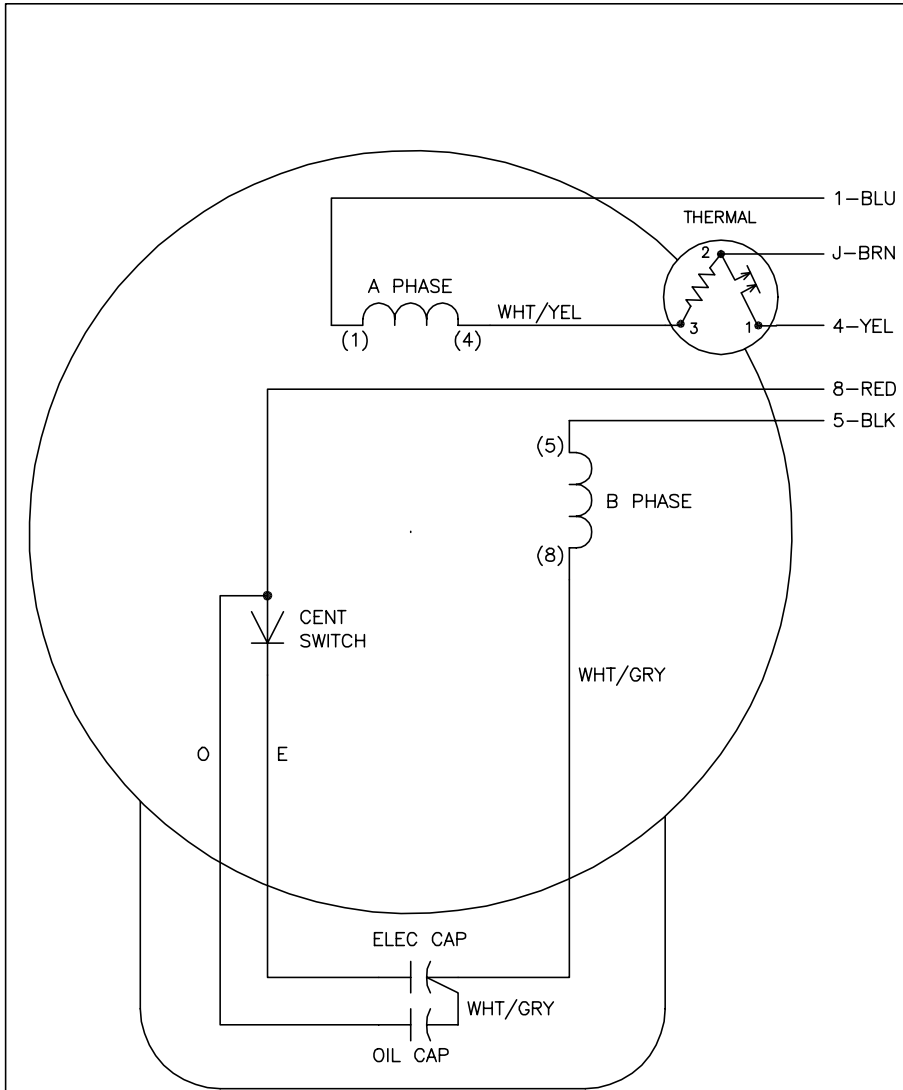
% of Rated Load	25	50	75	100	125	150
Power Factor	39	56	68	76	82	85
Efficiency	53.4	70.8	77.9	81	82	81.9
Speed	1791	1782	1775	1768	1759	1749
Line amperes	10.9	11.8	13.5	15.5	18	20.7

Performance Graph at 230V, 60Hz, 3.0HP Typical performance - Not guaranteed values





CD0002A02



	LINE A	LINE B	JOIN
STD	1,8	4	J,5
OPP	1,5	4	J,8

NOTES:

1. STANDARD ROTATION IS CCW FACING END OPPOSITE SHAFT EXTENSION.
2. MULTIPLE CAPACITORS ARE CONNECTED IN PARALLEL UNLESS OTHERWISE SPECIFIED.
3. LEAD COLORS ARE OPTIONAL. LEADS MUST ALWAYS BE NUMBERED AS SHOWN.

REV. DESC: REMOVE 2-TERMINAL THERMAL DETAIL, SEE CD0002A04			
REV. LTR: D	VERSION: 01	TDR: 000000360649	
Z0VZ00000 CD0002A02	FILE: \AAA\00007\520	REVISED: 17:11:40 04/15/2005	
	MTL: -	BY: ENJOEPO	

BALDOR ELECTRIC Co.

TYPE LC, SV, REV, THERMAL, 5 LEADS

CD0002A02