

# **BALDOR® • RELIANCE**

## **Product Information Packet**

# **VHEM2515T**

**20HP,1765RPM,3PH,60HZ,256HP,0946M,OPEN,F**

Part Detail							
Revision:	E	Status:	PRD/A	Change #:		Proprietary:	No
Type:	AC	Prod. Type:	0946M	Elec. Spec:	09WGY363	CD Diagram:	CD0005
Enclosure:	OPEN	Mfg Plant:		Mech. Spec:	09G625	Layout:	09LYG625
Frame:	256HP	Mounting:	F1	Poles:	04	Created Date:	07-10-2015
Base:	N	Rotation:	R	Insulation:	F	Eff. Date:	11-17-2016
Leads:	9#12					Replaced By:	
Literature:		Elec. Diagram:					

Nameplate NP1259L										
CAT.NO.	VHEM2515T									
SPEC.	09G625Y363G1									
HP	20									
VOLTS	230/460									
AMP	48/24									
RPM	1765									
FRAME	256HP				HZ	60			PH	3
SER.F.	1.15		CODE	H	DES	A		CL	F	
NEMA-NOM-EFF	93		PF	84						
RATING	40C AMB-CONT									
CC	010A				USABLE AT 208V			49		
DE	6312				ODE	6208				
ENCL	OPEN		SN							

Parts List		
Part Number	Description	Quantity
SA303639	SA 09G625Y363G1	1.000 EA
RA290774	RA 09G625Y363G1	1.000 EA
S/P107-000-005	SUPER-E PROC'S(254/6 FR.) ZK PLANT - POL	1.000 EA
09CB3002A19	CB MACH - 1.50 N.P.T. LEAD HOLE	1.000 EA
10XN2520K12	1/4-20 X.75 GRD 5	4.000 EA
HW1001A25	LOCKWASHER 1/4, ZINC PLT .493 OD, .255 I	4.000 EA
WD1000B17	T&B CX35TN TERMINAL	1.000 EA
11XW1032G06	10-32 X .38, TAPTITE II, HEX WSHR SLTD U	1.000 EA
09AD2003	AIR DEFLECTOR, 309 OPEN P-BASE	1.000 EA
51XW0832A07	8-32 X .44, TAPTITE II, HEX WSHR SLTD SE	3.000 EA
09EP1203A01P4	FREP, MACH W/FINISH PAINT ONLY	1.000 EA
10XN3816K40	3/8-16 X 2.50 HEX HD CAP SCREW, GRADE 5	2.000 EA
HW1001A38	LOCKWASHER 3/8, ZINC PLT .688 OD, .382 I	2.000 EA
HW5100A08	W3118-035 WVY WSHR (WB)	1.000 EA
10XN2520K36	1/4-20 X 2.25" HX HD SCRWGRADE 5, ZINC P	4.000 EA
HW1001A25	LOCKWASHER 1/4, ZINC PLT .493 OD, .255 I	4.000 EA
HW4600B61	SEAL,V70A FORSH/400700 CR	1.000 EA
10XN3118K68	5/16 18 X 4 1/4 HEX HEAD CAP	4.000 EA
HW1001A31	LOCKWASHER 5/16, ZINC PLT.591 OD, .319 I	4.000 EA
09EP1508A06	ENDPLATE, MACH W/312 BRG	1.000 EA
10XN3816K40	3/8-16 X 2.50 HEX HD CAP SCREW, GRADE 5	4.000 EA
HW1001A38	LOCKWASHER 3/8, ZINC PLT .688 OD, .382 I	4.000 EA
HW4600B41	V-RING SLINGER 2.125 X 2.880 X 0.280	1.000 EA
09FH1502A01	DRIP COVER, MACH	1.000 EA

Parts List (continued)		
Part Number	Description	Quantity
HW3201A11	.38-16 EYEBOLT W/4.00 SHANK	2.000 EA
HW1000A38	WASHER, 3/8" FLAT, SAE Z/P	2.000 EA
HW1001A38	LOCKWASHER 3/8, ZINC PLT .688 OD, .382 I	2.000 EA
09CB3501	CONDUIT BOX LID FOR 09CB3001 & 09CB3002	1.000 EA
51XW2520A12	.25-20 X .75, TAPTITE II, HEX WSHR SLTD	2.000 EA
HW1001A31	LOCKWASHER 5/16, ZINC PLT.591 OD, .319 I	2.000 EA
HW2501E18	KEY, 1/4 SQ X 2.000	1.000 EA
LB1182	WARNING LABEL FOR MOTORS WITH EYENUTS	1.000 EA
HW4500A03	GREASE FITTING, .125 NPT 1610(ALEMITE) 8	1.000 EA
HW4500A17	317400 ALEMITE GREASE RELIEF	1.000 EA
HW4500A20	1/8NPT SL PIPE PLUG	1.000 EA
HA4051A00	PLASTIC CAP FOR GREASE FITTING	1.000 EA
MG1025G05	WILKOFASST, 789.227, MED. GRAY CHAR. MET.	0.200 GA
MJ1000A02	GREASE, POLYREX EM EXXON (USe 4824-15A)	0.080 LB
HW4500A03	GREASE FITTING, .125 NPT 1610(ALEMITE) 8	1.000 EA
HW4500A17	317400 ALEMITE GREASE RELIEF	1.000 EA
HA4051A00	PLASTIC CAP FOR GREASE FITTING	1.000 EA
85XU0407S04	4X1/4 U DRIVE PIN STAINLESS	2.000 EA
LC0005E02	SPL CONN.DIA./WARN.LABEL(LC0005/LB1119)	1.000 EA
NP1259L	ALUM SUPER-E UL CSA-EEV CC NEMA PREMIUM	1.000 EA
42PA1016	PACKAGING GROUP, 09 LARGE FACE	1.000 EA
MN416A01	TAG-INSTAL-MAINT no wire (1200/bx) 11/14	1.000 EA

**AC Induction Motor Performance Data**

Record # 32255 - Typical performance - not guaranteed values

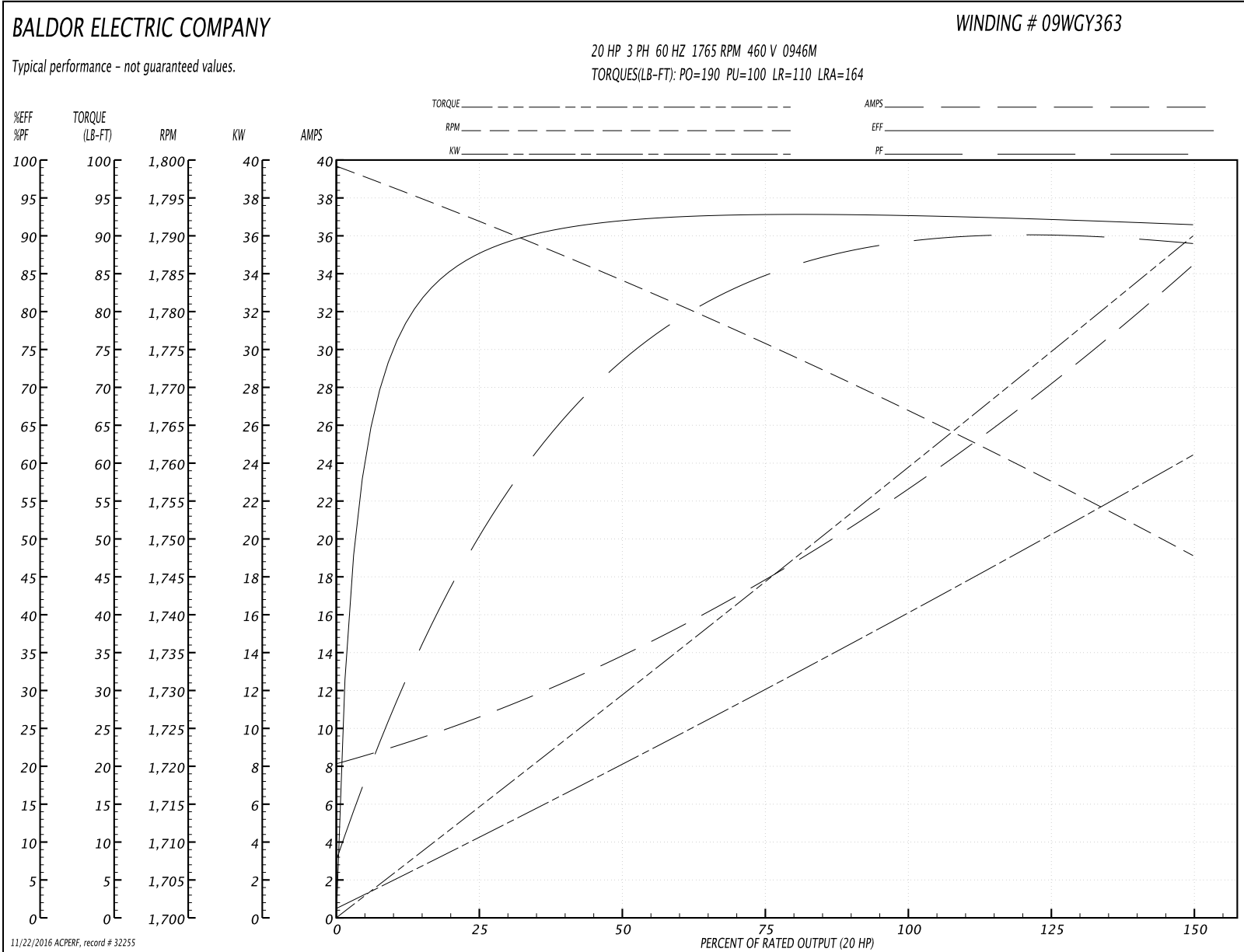
<b>Winding:</b> 09WGY363-R003	<b>Type:</b> 0946M	<b>Enclosure:</b> OPEN
-------------------------------	--------------------	------------------------

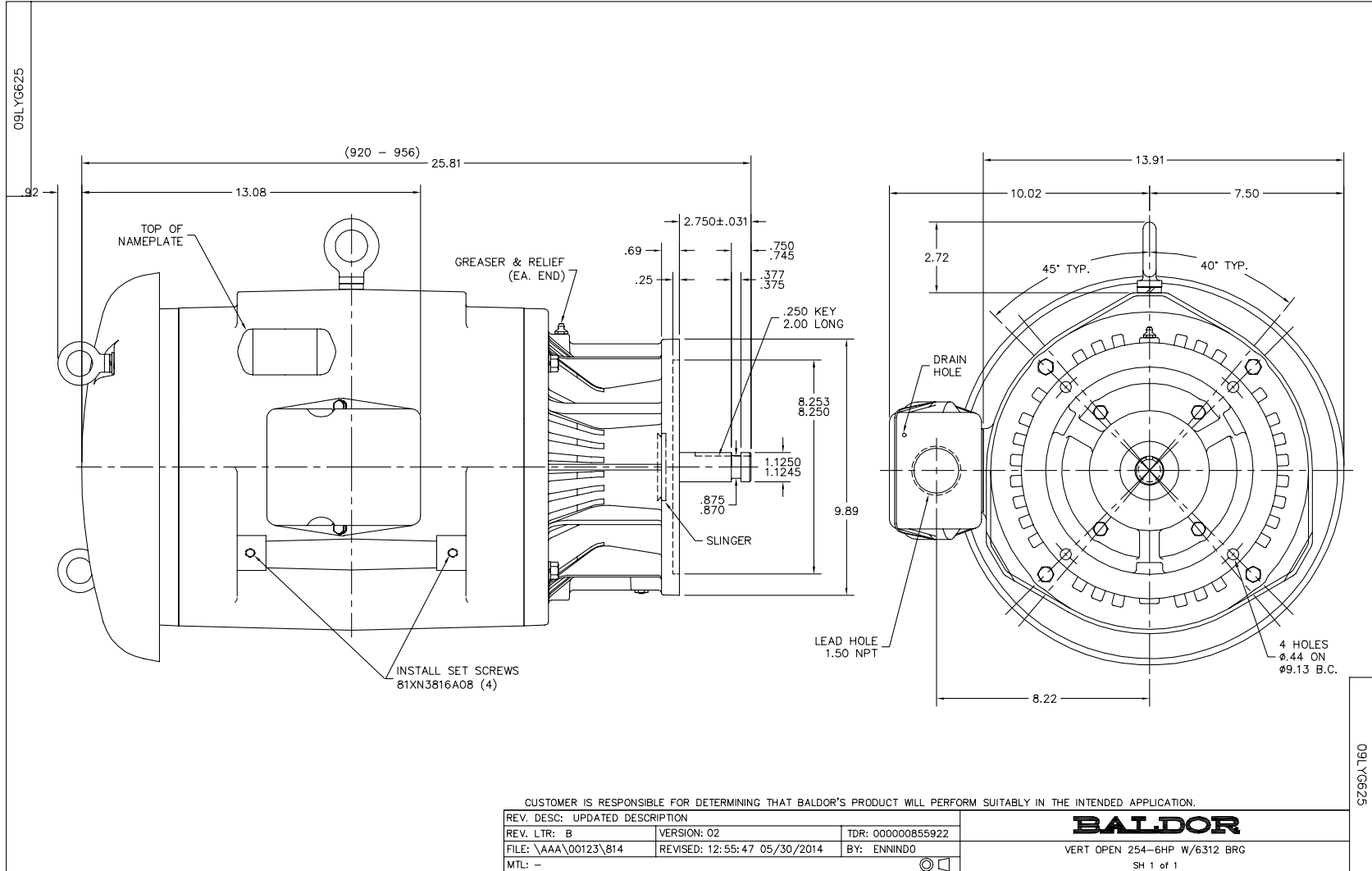
Nameplate Data				460 V, 60 Hz: High Voltage Connection	
Rated Output (HP)	20			Full Load Torque	60 LB-FT
Volts	230/460			Start Configuration	direct on line
Full Load Amps	48/24			Breakdown Torque	190 LB-FT
R.P.M.	1765			Pull-up Torque	100 LB-FT
Hz	60	Phase	3	Locked-rotor Torque	110 LB-FT
NEMA Design Code	A	KVA Code	H	Starting Current	164 A
Service Factor (S.F.)	1.15			No-load Current	8.5 A
NEMA Nom. Eff.	93	Power Factor	84	Line-line Res. @ 25°C	0.433 Ω
Rating - Duty	40C AMB-CONT			Temp. Rise @ Rated Load	46°C
S.F. Amps				Temp. Rise @ S.F. Load	56°C
				Locked-rotor Power Factor	33.6
				Rotor inertia	2.01 LB-FT <sup>2</sup>

Load Characteristics 460 V, 60 Hz, 20 HP

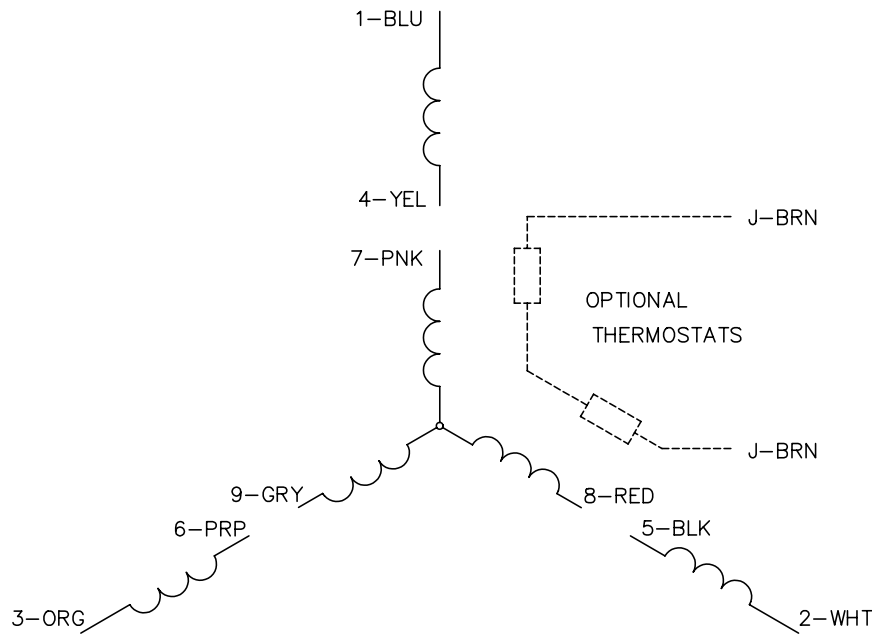
% of Rated Load	25	50	75	100	125	150	S.F.
Power Factor	52	74	83	87	89	89	88
Efficiency	87.4	91.9	92.8	93	92.2	91.4	92.4
Speed	1792	1784	1775	1767	1757	1748	1761
Line amperes	10.2	13.7	18.2	23.1	28.5	34.2	26.2

Performance Graph at 460V, 60Hz, 20.0HP Typical performance - Not guaranteed values

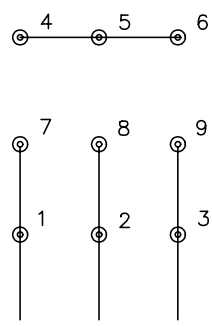




CD0005

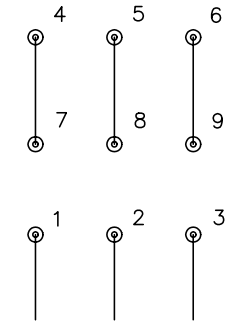


LOW VOLTAGE (2Y)



LINE

HIGH VOLTAGE (1Y)



LINE

NOTES:

1. INTERCHANGE ANY TWO LINE LEADS TO REVERSE ROTATION.
2. OPTIONAL THERMOSTATS ARE PROVIDED WHEN SPECIFIED.
3. ACTUAL NUMBER OF INTERNAL PARALLEL CIRCUITS MAY BE A MULTIPLE OF THOSE SHOWN ABOVE.
4. LEAD COLORS ARE OPTIONAL. LEADS MUST ALWAYS BE NUMBERED AS SHOWN.

REV. DESC: REVISE TO SHOW OPTIONAL COLORS			
REV. LTR: E	BY: JLP	REVISED: 01/19/99 10:15	TDR: 0171435
9000D		FILE: AAA00005140	MDL: -
		MTL: -	

**BALDOR ELECTRIC Co.**

3PH, DV, 9 LEADS

CD0005