

BALDOR® • **RELIANCE**

Product Information Packet

VHEM3210T

3HP,3470RPM,3PH,60HZ,182HP,0620M,ODP,W6

| Part Detail | | | | | | | |
|-------------|-------|----------------|-------|-------------|----------|---------------|------------|
| Revision: | D | Status: | PRD/A | Change #: | | Proprietary: | No |
| Type: | AC | Prod. Type: | 0618M | Elec. Spec: | 06WGY471 | CD Diagram: | CD0005 |
| Enclosure: | ODP | Mfg Plant: | | Mech. Spec: | 06F867 | Layout: | 06LYF867 |
| Frame: | 182HP | Mounting: | W6 | Poles: | 02 | Created Date: | 01-25-2016 |
| Base: | N | Rotation: | R | Insulation: | F | Eff. Date: | 08-24-2016 |
| Leads: | 9#16 | | | | | Replaced By: | |
| Literature: | | Elec. Diagram: | | | | | |

| Nameplate NP1267L | | | | | | | | | | |
|-------------------|--------------|--|------|----|----------------|------|--|-----|----|---|
| CAT.NO. | VHEM3210T | | | | | | | | | |
| SPEC. | 06F867Y471G1 | | | | | | | | | |
| HP | 3 | | | | | | | | | |
| VOLTS | 230/460 | | | | | | | | | |
| AMP | 7.6/3.8 | | | | | | | | | |
| RPM | 3470 | | | | | | | | | |
| FRAME | 182HP | | | | HZ | 60 | | | PH | 3 |
| SER.F. | 1.15 | | CODE | K | DES | B | | CL | F | |
| NEMA-NOM-EFF | 86.5 | | PF | 89 | | | | | | |
| RATING | 40C AMB-CONT | | | | | | | | | |
| CC | 010A | | | | USABLE AT 208V | | | 8.2 | | |
| DE | 6308 | | | | ODE | 6205 | | | | |
| ENCL | ODP | | SN | | | | | | | |
| | | | | | | | | | | |

| Parts List | | |
|-------------|--|----------|
| Part Number | Description | Quantity |
| SA314383 | SA 06F867Y471G1 | 1.000 EA |
| RA301863 | RA 06F867Y471G1 | 1.000 EA |
| 34FN3002B02 | EXTERNAL FAN, PLASTIC, .905/.907 HUB W/ | 1.000 EA |
| HW3201A05 | 3/8-16 EYEBOLT | 1.000 EA |
| 06CB3000B01 | SPL KO BOX MACH. W/.75 N.P.T. | 1.000 EA |
| 06GS1000 | GASKET,CONDUIT BOX | 1.000 EA |
| 51XW2520A12 | SCREW, HEX SER SLT HD, ZN, 1/4-20 X .75 | 4.000 EA |
| WD1000B17 | T&B CX35TN TERMINAL | 1.000 EA |
| 10XN2520G06 | 1/4 20X3/8 HX HD CAP, GREEN | 1.000 EA |
| HW1001A25 | LOCKWASHER 1/4, ZINC PLT .493 OD, .255 I | 1.000 EA |
| 06EP1200A01 | FREP MACH OPEN | 1.000 EA |
| 10XN2520A44 | 1/4 -20 X 2 3/4 HS WS SL SR | 4.000 EA |
| HW1001A25 | LOCKWASHER 1/4, ZINC PLT .493 OD, .255 I | 4.000 EA |
| HW4500A03 | GREASE FITTING, .125 NPT 1610(ALEMITE) 8 | 1.000 EA |
| HW4500A17 | 317400 ALEMITE GREASE RELIEF | 1.000 EA |
| 06AD2000G | AIR DEFLECTOR, 306 OPEN, GREY EPOXY POWD | 1.000 EA |
| 51XT0832A08 | 8-32 X 1/2 TY23 HXWS SLDSR | 3.000 EA |
| HW1001A08 | WASHER, #8 SPLT LK, ZN | 3.000 EA |
| HW5100A05 | WVY WSHR F/205 & 304 BRGS | 1.000 EA |
| 10XN2520A56 | 1/4-20X 3 1/2 HEX HD CAP X | 2.000 EA |
| HW1001A25 | LOCKWASHER 1/4, ZINC PLT .493 OD, .255 I | 2.000 EA |
| 06EP1503A02 | SPL PU E.P. MACH, W/6308 BRG. | 1.000 EA |
| HW4600A47 | CR#13535--NAT#472354 OR TRANSCOM | 1.000 EA |
| 10XN2520A36 | 1/4-20X 2 1/4 HEX HD X | 4.000 EA |

| Parts List (continued) | | |
|-------------------------------|--|-----------------|
| Part Number | Description | Quantity |
| HW1001A25 | LOCKWASHER 1/4, ZINC PLT .493 OD, .255 I | 4.000 EA |
| HW4500A03 | GREASE FITTING, .125 NPT 1610(ALEMITE) 8 | 1.000 EA |
| HW4500A17 | 317400 ALEMITE GREASE RELIEF | 1.000 EA |
| HW4500A20 | 1/8NPT SL PIPE PLUG | 1.000 EA |
| 06CB3500 | BALDOR CONDUIT BOX LID | 1.000 EA |
| 06GS1001 | BALDOR CONDUIT BOX GASKET | 1.000 EA |
| 51XW2520A12 | SCREW, HEX WS SLT, ZN | 2.000 EA |
| HW1001A25 | LOCKWASHER 1/4, ZINC PLT .493 OD, .255 I | 2.000 EA |
| 06FH1500A01 | DRIP COVER FOR 306 OPEN | 1.000 EA |
| HW3201A15 | .38-16 EYEBOLT W/1.25 SHANK | 2.000 EA |
| HW1000A38 | WASHER, 3/8" FLAT, SAE Z/P | 2.000 EA |
| HW4600C51 | 31X39X7.5MM FACE SEAL FOR 1.375 DIA. SH | 1.000 EA |
| HW2501E16 | 3KEY, 1/4 SQ X 1.750 | 1.000 EA |
| HA7000A02 | KEY RETAINER RING, 1 1/8 DIA, 1 3/8 DIA | 1.000 EA |
| LB1386 | WARNING LABEL FOR MOTORS WITH EYENUTS | 1.000 EA |
| 85XU0407S04 | 4X1/4 U DRIVE PIN STAINLESS | 2.000 EA |
| LB1115N | LABEL,LIFTING DEVICE (ON ROLLS) | 1.000 EA |
| MJ1000A02 | GREASE, POLYREX EM EXXON (USe 4824-15A) | 0.050 LB |
| MG1025G29 | WILKOFASST, 789.229, DARK CHARCOAL GRAY | 0.028 GA |
| LC0005E01 | CONN.DIA./WARNING LABEL (LC0005/LB1119N) | 1.000 EA |
| NP1267L | SS SUPER-E LASER BLANK | 1.000 EA |
| G0PA1000 | PKG GRP, PRINT PK1026A06 | 1.000 EA |
| MN416A01 | TAG-INSTAL-MAINT no wire (1200/bx) 11/14 | 1.000 EA |
| PK3082 | STYROFOAM CRADLE | 2.000 EA |

AC Induction Motor Performance Data

Record # 57264 - Typical performance - not guaranteed values

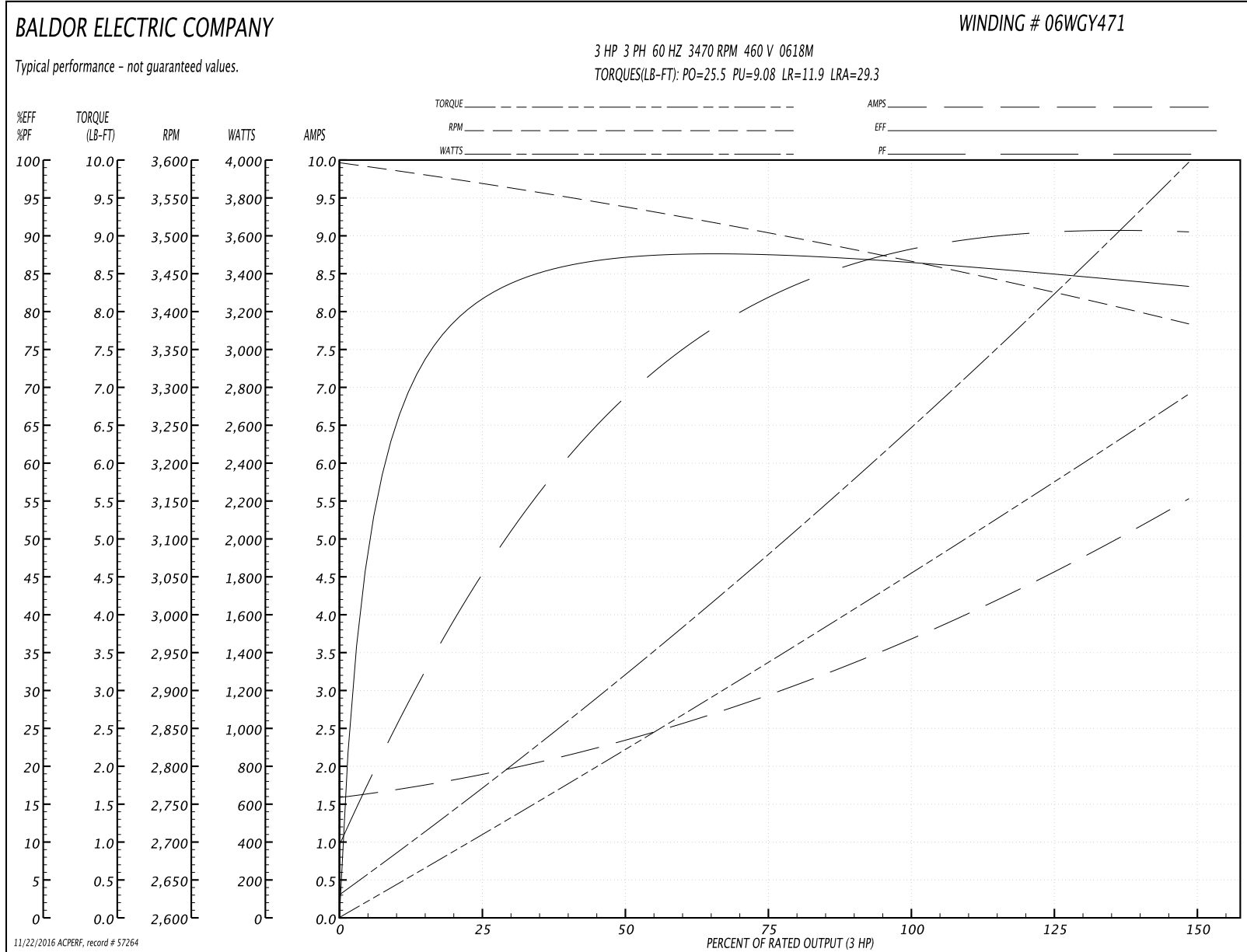
| | | |
|-------------------------------|--------------------|-----------------------|
| Winding: 06WGY471-R007 | Type: 0618M | Enclosure: ODP |
|-------------------------------|--------------------|-----------------------|

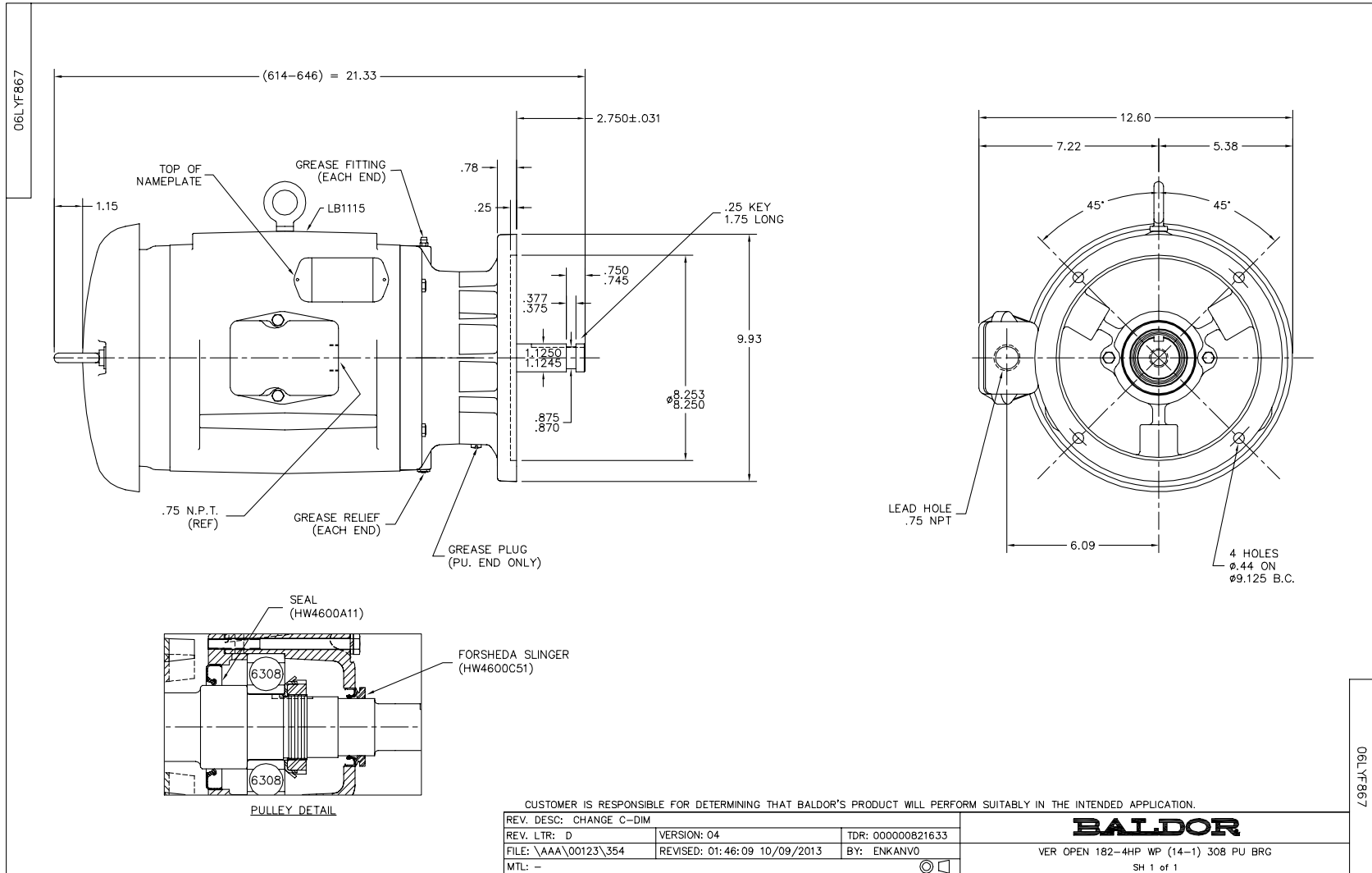
| Nameplate Data | | | | 460 V, 60 Hz: High Voltage Connection | |
|-----------------------|--------------|--------------|----|--|---------------------------|
| Rated Output (HP) | 3 | | | Full Load Torque | 4.51 LB-FT |
| Volts | 230/460 | | | Start Configuration | direct on line |
| Full Load Amps | 7.6/3.8 | | | Breakdown Torque | 25.5 LB-FT |
| R.P.M. | 3470 | | | Pull-up Torque | 9.08 LB-FT |
| Hz | 60 | Phase | 3 | Locked-rotor Torque | 11.9 LB-FT |
| NEMA Design Code | B | KVA Code | K | Starting Current | 29.3 A |
| Service Factor (S.F.) | 1.15 | | | No-load Current | 1.64 A |
| NEMA Nom. Eff. | 86.5 | Power Factor | 89 | Line-line Res. @ 25°C | 6.11 Ω |
| Rating - Duty | 40C AMB-CONT | | | Temp. Rise @ Rated Load | 45°C |
| S.F. Amps | | | | Temp. Rise @ S.F. Load | 48°C |
| | | | | Locked-rotor Power Factor | 58.7 |
| | | | | Rotor inertia | 0.0795 LB-FT ² |

Load Characteristics 460 V, 60 Hz, 3 HP

| % of Rated Load | 25 | 50 | 75 | 100 | 125 | 150 | S.F. |
|-----------------|------|------|------|------|------|------|------|
| Power Factor | 47 | 70 | 81 | 87 | 90 | 91 | 90 |
| Efficiency | 81.1 | 86.6 | 87.5 | 86.7 | 85.3 | 83.2 | 87.6 |
| Speed | 3568 | 3538 | 3505 | 3468 | 3430 | 3382 | 3456 |
| Line amperes | 1.82 | 2.29 | 2.94 | 3.71 | 4.53 | 5.5 | 4.12 |

Performance Graph at 460V, 60Hz, 3.0HP Typical performance - Not guaranteed values





CD0005

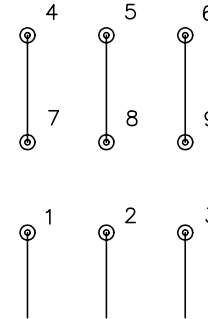


LOW VOLTAGE
(2Y)



LINE

HIGH VOLTAGE
(1Y)



LINE

NOTES:

1. INTERCHANGE ANY TWO LINE LEADS TO REVERSE ROTATION.
2. OPTIONAL THERMOSTATS ARE PROVIDED WHEN SPECIFIED.
3. ACTUAL NUMBER OF INTERNAL PARALLEL CIRCUITS MAY BE A MULTIPLE OF THOSE SHOWN ABOVE.
4. LEAD COLORS ARE OPTIONAL. LEADS MUST ALWAYS BE NUMBERED AS SHOWN.

REV. DESC: REVISE TO SHOW OPTIONAL COLORS

REV. LTR: E BY: JLP

REVISED: 01/19/99 10:15

TDR: 0171435

9000D

FILE: AAA00005140

MDL: -

MTL: -

BALDOR ELECTRIC Co.

3PH, DV, 9 LEADS

CD0005