

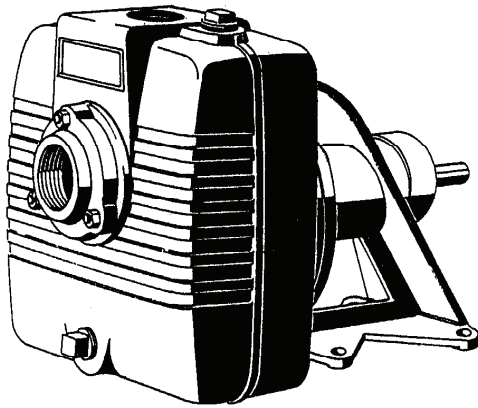
Series 10ICU-1

Pump End
2" NPT

BARNES®

www.cranepumps.com

Self-Priming Universal/Electric Driven



Specifications:

- SUCTION/DISCHARGE2" x 2" NPT, Female
- LIQUID TEMPERATURE160°F (71°C) Continuous
- INTERMEDIATECast Iron ASTM A-48, Class 30
- VOLUTECast Iron ASTM A-48, Class 30,
Removable
- BODYCast Iron ASTM A-48, Class 30
- PEDESTALCast Iron ASTM A-48, Class 30
- IMPELLER: *Design*Semi-Open, Dynamically Balanced,
ISO G6.3
MaterialCast Iron ASTM A-48, Class 30
- SHAFTStainless Steel
- SHAFT SLEEVEStainless Steel
- SQUARE RINGSBuna-N
- HARDWARESeries Stainless Steel
- PAINTAir Dry Enamel.
- SEAL: *Design*Single Mechanical with Lip Seal
LubricationGrease
MaterialRotating Faces - Carbon
Stationary Faces - Ceramic
Elastomer - Buna-N
Hardware - 300 Series Stainless
- BEARING - PUMP END:
DesignSingle Row, Ball
LubricationGrease
LoadRadial
- BEARING - DRIVE END:
DesignSingle Row, Ball
LubricationGrease
LoadRadial
- CHECK VALVE:
MaterialValve Flap-Neoprene
Weight-Cast Iron ASTM A-48, Class 30
- OPTIONAL EQUIPMENTSeal Material, Flex Coupled Assy. with
Base & OSHA Guard; Right Hand V-Belt Drive Assy., Left Hand V-Belt Drive
Assy., and In-Line Vertical V-Belt Drive Assy. with Base, Motor Adjusting
Base and OSHA Guard.

Series: 10ICU-1
MAX SPHERE 1/2"

DESCRIPTION:

SELF-PRIMING CENTRIFUGAL PUMPS
DESIGNED FOR MARINE, MUNICIPAL AND
INDUSTRIAL APPLICATIONS



WARNING:
CANCER AND REPRODUCTIVE HARM -
WWW.P65WARNINGS.CA.GOV

Questions? Call 1-800-810-1053

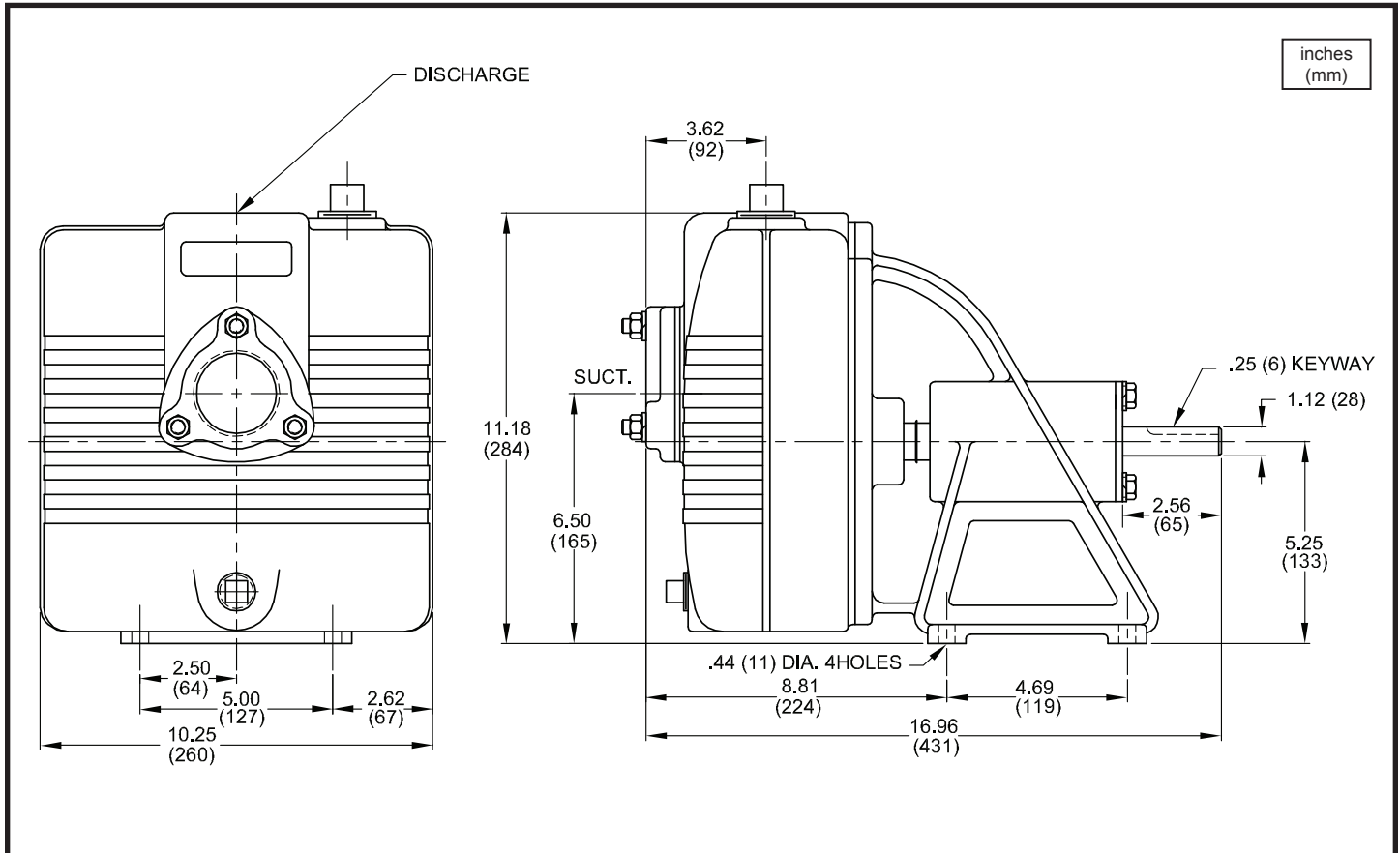
SECTION 4E
PAGE 22
DATE 12/18

CRANE
A Crane Co. Company

PUMPS & SYSTEMS

USA: (937) 778-8947 • Canada: (905) 457-6223 • International: (937) 615-3598

Self-Priming Universal/Electric Driven



MODEL NO	PART NO	WEIGHT NET LBS (kg)
10ICU-1	033762	88 (40)

IMPORTANT !

- DO NOT USE FOR PUMPING FLUIDS WITH A FLASH POINT OF LESS THAN 100°F.
- MAKE CERTAIN THAT PUMP AND/OR MOTOR ASSEMBLY AND CONTROLS HAVE THE APPROPRIATE RATINGS FOR THE GIVEN APPLICATION AREA CLASSIFICATION. (ie DIVISION I, AGENCY LISTING ETC.)

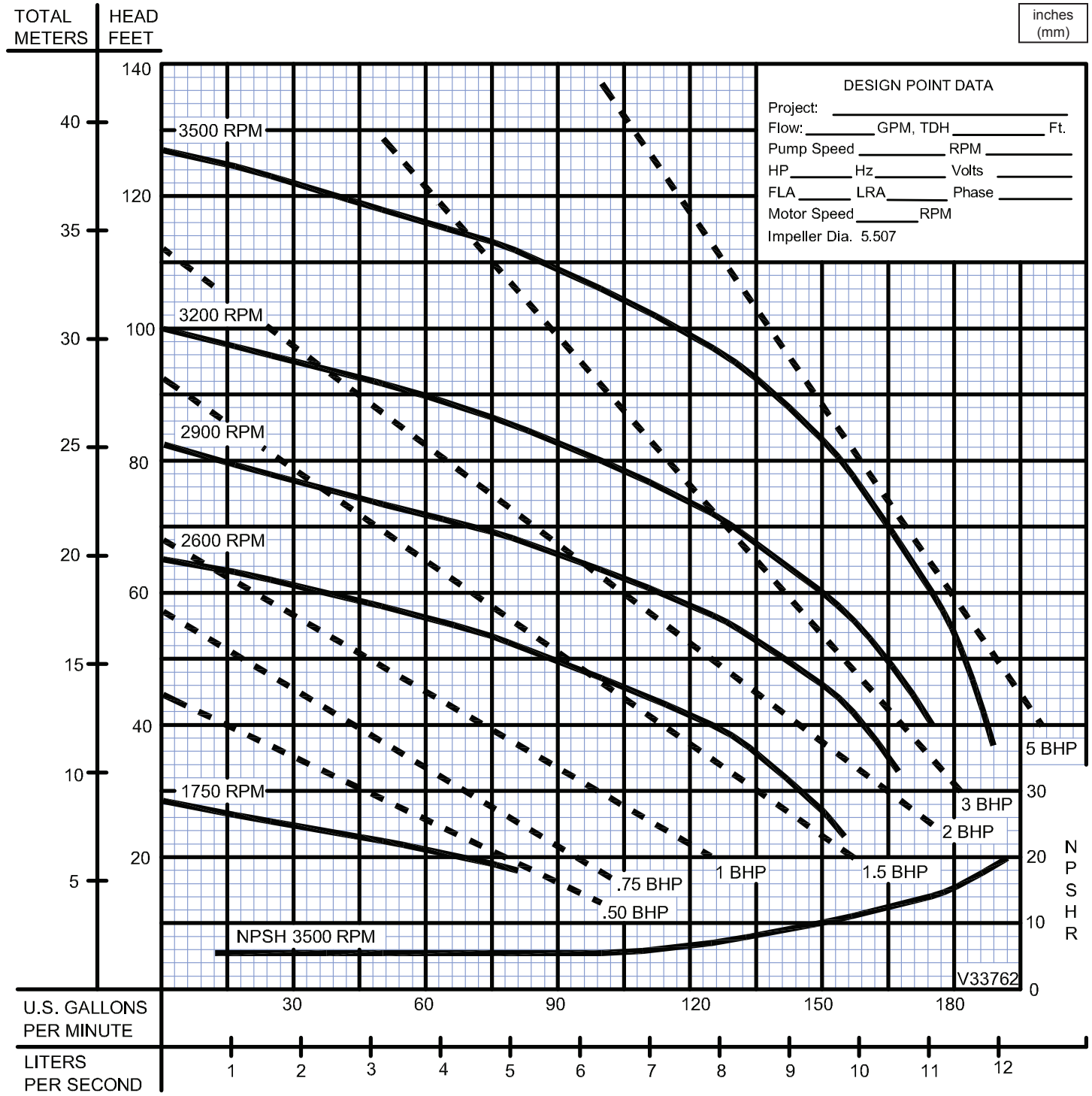
Series 10ICU-1

Performance Curve
Pump End

BARNES®

www.cranepumps.com

Self-Priming Universal/Electric Driven



Testing is performed with water, specific gravity 1.0 @ 68° F @ (20°C), other fluids may vary performance

Order Online: www.PumpCatalog.com

SECTION 4E
PAGE 24
DATE 5/05

CRANE
A Crane Co. Company

PUMPS & SYSTEMS

USA: (937) 778-8947 • Canada: (905) 457-6223 • International: (937) 615-3598