

# BERKELEY® B1-1/2ZPL

## Cast Iron Impeller

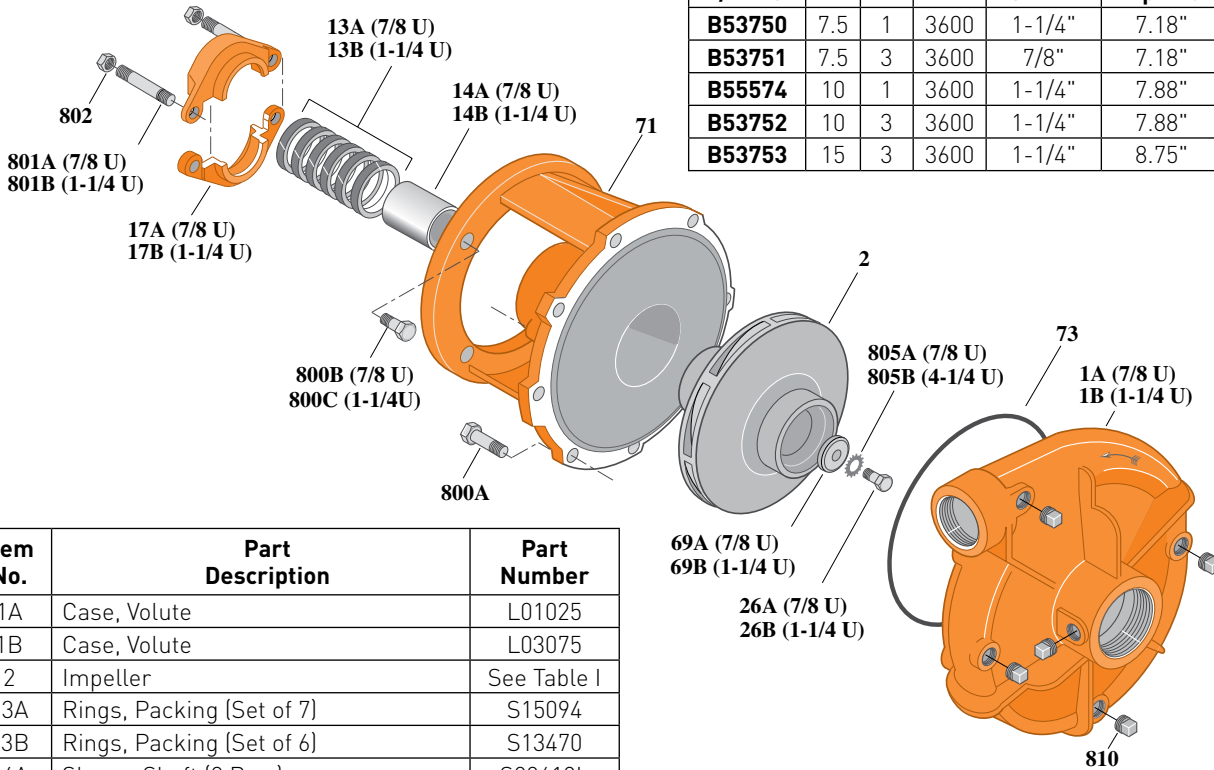
Threaded Case (NPT), Packing Construction

### ELECTRIC MOTOR DRIVE

Section	CC
Page	40.1
Date	March 4, 2013
Supersedes 07/01/11	

**Table I**

B/M No.	HP	PH	RPM	"U" Dim.	Imp. Dia.	Imp. No.
B53750	7.5	1	3600	1-1/4"	7.18"	M07692
B53751	7.5	3	3600	7/8"	7.18"	M07693
B55574	10	1	3600	1-1/4"	7.88"	M07691
B53752	10	3	3600	1-1/4"	7.88"	M07691
B53753	15	3	3600	1-1/4"	8.75"	M07690



Item No.	Part Description	Part Number
1A	Case, Volute	L01025
1B	Case, Volute	L03075
2	Impeller	See Table I
13A	Rings, Packing [Set of 7]	S15094
13B	Rings, Packing [Set of 6]	S13470
14A	Sleeve, Shaft [2 Req.]	S00619L
14B	Sleeve, Shaft	S05149L
17A	Gland, Packing	B82469
17B	Gland, Packing	B82470
26A	Screw, Impeller 3/8 - 16 x 1"	S23566
26B	Screw, Impeller 1/2 - 13 x 1"	S23619
32A	Key, 3/16 x 1-1/4" [See Note 1]	S34383
32B	Key, 1/4 x 2/14" [See Note 1]	S23677
69A	Washer, Impeller	S06314
69B	Washer, Impeller	S06317
71	Bracket	See Table II
73	O-Ring [See Note 2]	M14943
800A	Capscrew, 3/8 - 16 x 1" [12 Req.]	S26826
800B	Capscrew, 3/8 - 16 x 1-1/8" [8 Req.]	S26827
800C	Capscrew, 1/2 - 13 x 1-1/2" [4 Req.]	S26916
801A	Stud, 3/8 - 16 x 3" [2 Req.]	S04439
801B	Stud, 3/8 - 16 x 4" [2 Req.]	S08303
802	Nut, Hex 3/8 - 16 [2 Req.]	S23343
805A	Washer, Lock	S23036
805B	Washer, Lock	S23038
810	Plug, Pipe 1/4 NPT [5 Req.]	S23715

**Table II**

HP	PH	Bracket No.	"AK" Fit	"U" Dim.	Motor Frame
7.5	1	L03827	8-1/2"	1-1/4"	213JP
7.5	3	H00950	4-1/2"	7/8"	184JP
10	1	L03827	8-1/2"	1-1/4"	215JP
10	3	L03827	8-1/2"	1-1/4"	213JP
15	3	L03827	8-1/2"	1-1/4"	215JP

**NOTE 1:** For an explanation of the tabulated material found on this page and for impeller key location, refer to **Supplement A** located at the beginning of this section.

**NOTE 2:** Also accepts gasket **S05126** as replacement for O-Ring. See **Supplement E** located at the beginning of this section.

# BERKELEY® B1-1/2ZPLS

## Cast Iron Impeller

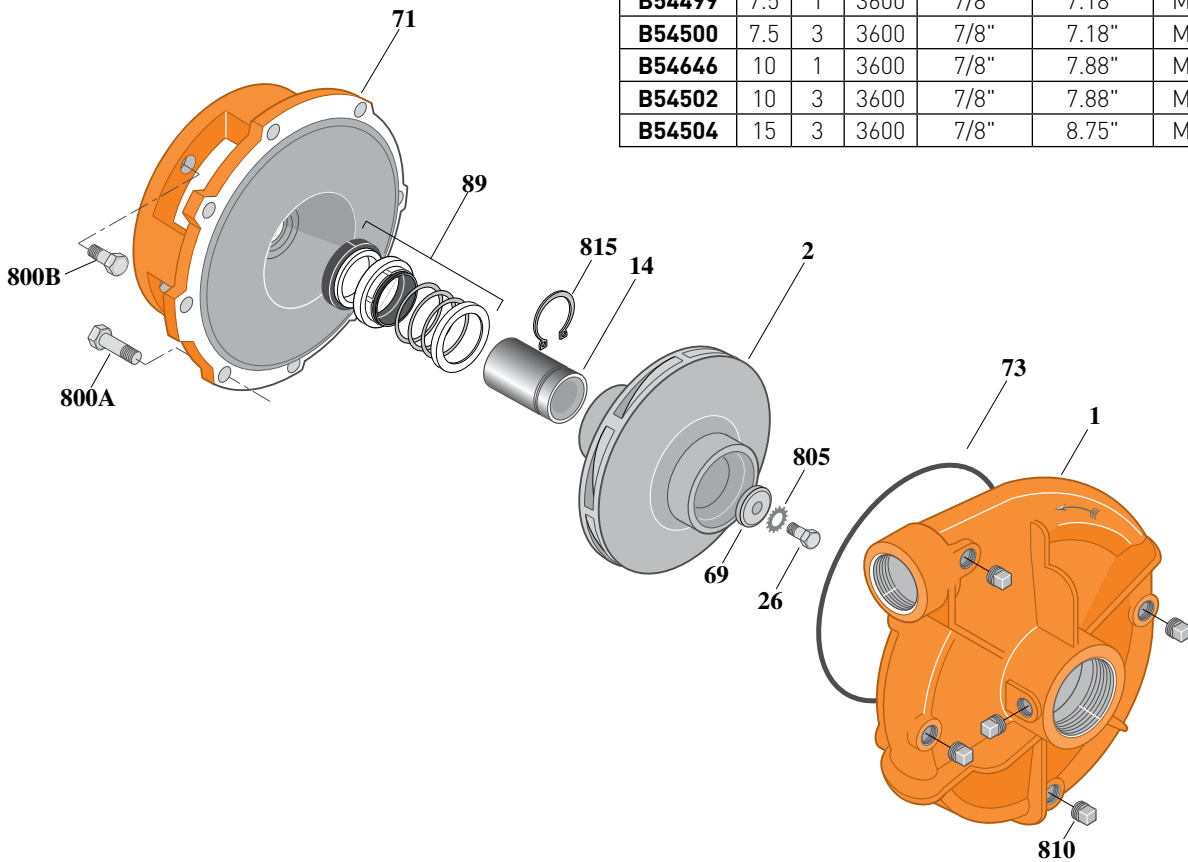
Threaded Case (NPT), Mechanical Shaft Seal Construction

## ELECTRIC MOTOR DRIVE

Section	CC
Page	40.2
Date	March 4, 2013
Supersedes 07/01/11	

**Table I**

B/M No.	HP	PH	RPM	"U" Dim.	Imp. Dia.	Imp. No.
B54499	7.5	1	3600	7/8"	7.18"	M07693
B54500	7.5	3	3600	7/8"	7.18"	M07693
B54646	10	1	3600	7/8"	7.88"	M07758
B54502	10	3	3600	7/8"	7.88"	M07758
B54504	15	3	3600	7/8"	8.75"	M07759



Item No.	Part Description	Part Number
1	Case, Volute	L01025
2	Impeller	See Table I
14	Sleeve, Shaft	S19310L
26	Screw, Impeller 3/8 - 16 x 1"	S23566
32	Key, 3/16 x 1-1/4" [See Note 1]	S34383
69	Washer, Impeller	S06314
71	Bracket	See Table II
73	O-Ring [See Note 2]	M14943
89	Seal, Mechanical Shaft	S32014
800A	Capscrew, 3/8 - 16 x 1" [8 Req.]	S26826
800B	Capscrew, 1/2 - 13 x 1" [4 Req.]	S26912
805	Washer, Lock	S23036
810	Plug, Pipe 1/4 NPT [5 Req.]	S23715
815	Ring, Retaining	S11207

**Table II**

HP	PH	Bracket No.	"AK" Fit	"U" Dim.	Motor Frame
7.5	1	L05331	8-1/2"	7/8"	213JM
7.5	3	L05332	4-1/2"	7/8"	184JM
10	1	L05331	8-1/2"	7/8"	215JM
10	3	L05331	8-1/2"	7/8"	213JM
15	3	L05331	8-1/2"	7/8"	215JM

**NOTE 1:** For an explanation of the tabulated material found on this page and for impeller key location, refer to **Supplement A** located at the beginning of this section.

**NOTE 2:** Also accepts gasket **S05126** as replacement for O-Ring. See **Supplement E** located at the beginning of this section.



# BERKELEY® B1-1/2ZPLS

## Cast Iron Impeller

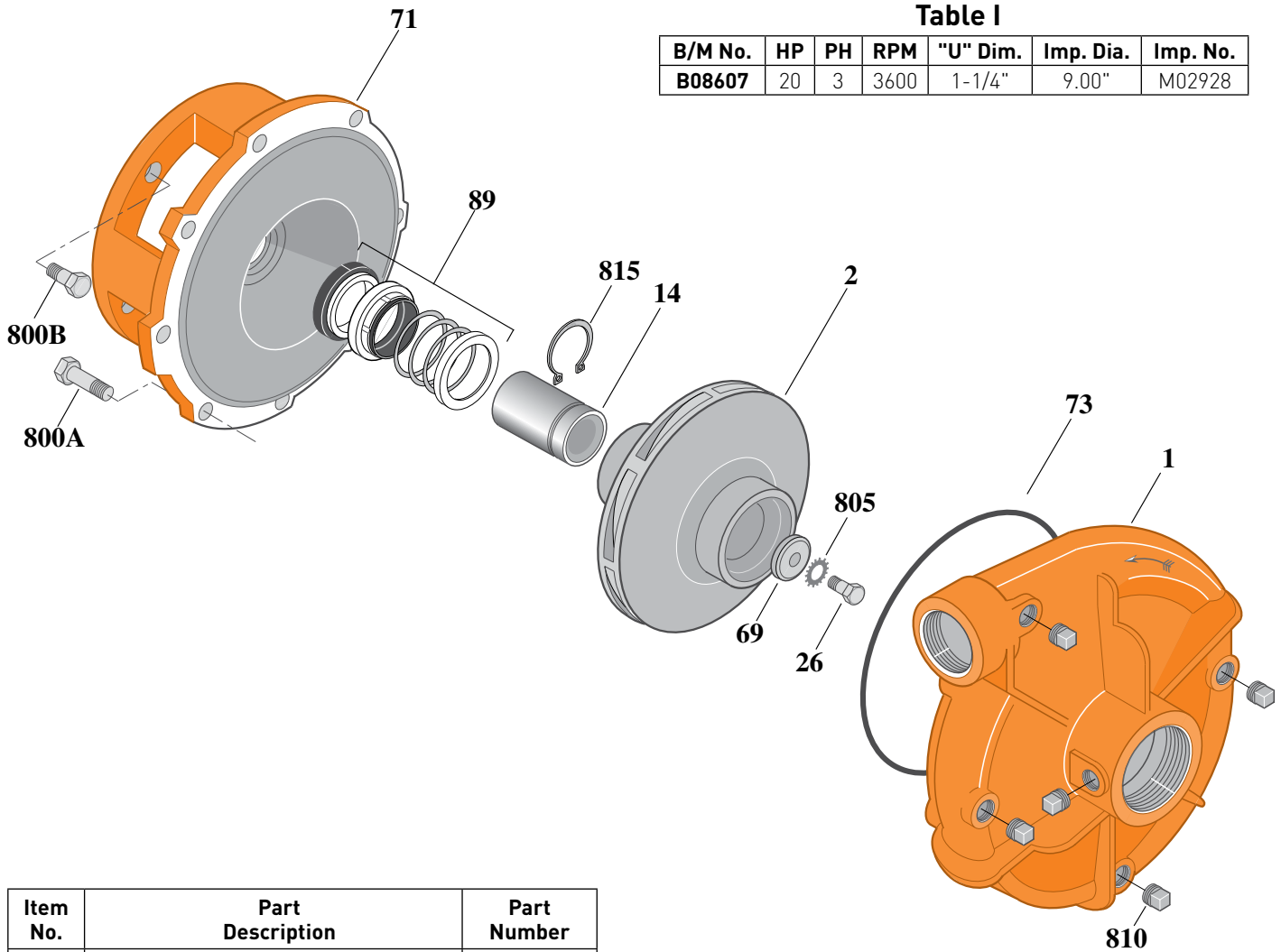
Threaded Case (NPT), Mechanical Shaft Seal Construction

### ELECTRIC MOTOR DRIVE

Section	CC
Page	40.3
Date	March 4, 2013
Supersedes 07/01/11	

**Table I**

B/M No.	HP	PH	RPM	"U" Dim.	Imp. Dia.	Imp. No.
B08607	20	3	3600	1-1/4"	9.00"	M02928



Item No.	Part Description	Part Number
1	Case, Volute	L03075
2	Impeller	See Table I
14	Sleeve, Shaft	S18869L
26	Screw, Impeller 1/2 - 13 x 1"	S23619
32	Key, 1/4 x 2-1/4" [See Note 1]	S23677
69	Washer, Impeller	S06319
71	Bracket	See Table II
73	O-Ring [See Note 2]	M14943
89	Seal, Mechanical Shaft	S32015
800A	Capscrew, 3/8 - 16 x 1-1/8" [8 Req.]	S26827
800B	Capscrew, 1/2 - 13 x 1" [4 Req.]	S26912
805	Washer, Lock	S23038
810	Plug, Pipe 1/4 NPT [5 Req.]	S23715
815	Ring, Retaining	S16767

**Table II**

HP	PH	Bracket No.	"AK" Fit	"U" Dim.	Motor Frame
20	3	L04615	8-1/2"	1-1/4"	254JM

**NOTE 1:** For an explanation of the tabulated material found on this page and for impeller key location, refer to **Supplement A** located at the beginning of this section.

**NOTE 2:** Also accepts gasket **S05126** as replacement for O-Ring. See **Supplement E** located at the beginning of this section.



# BERKELEY® B1-1/2ZPL

## Bronze Impeller

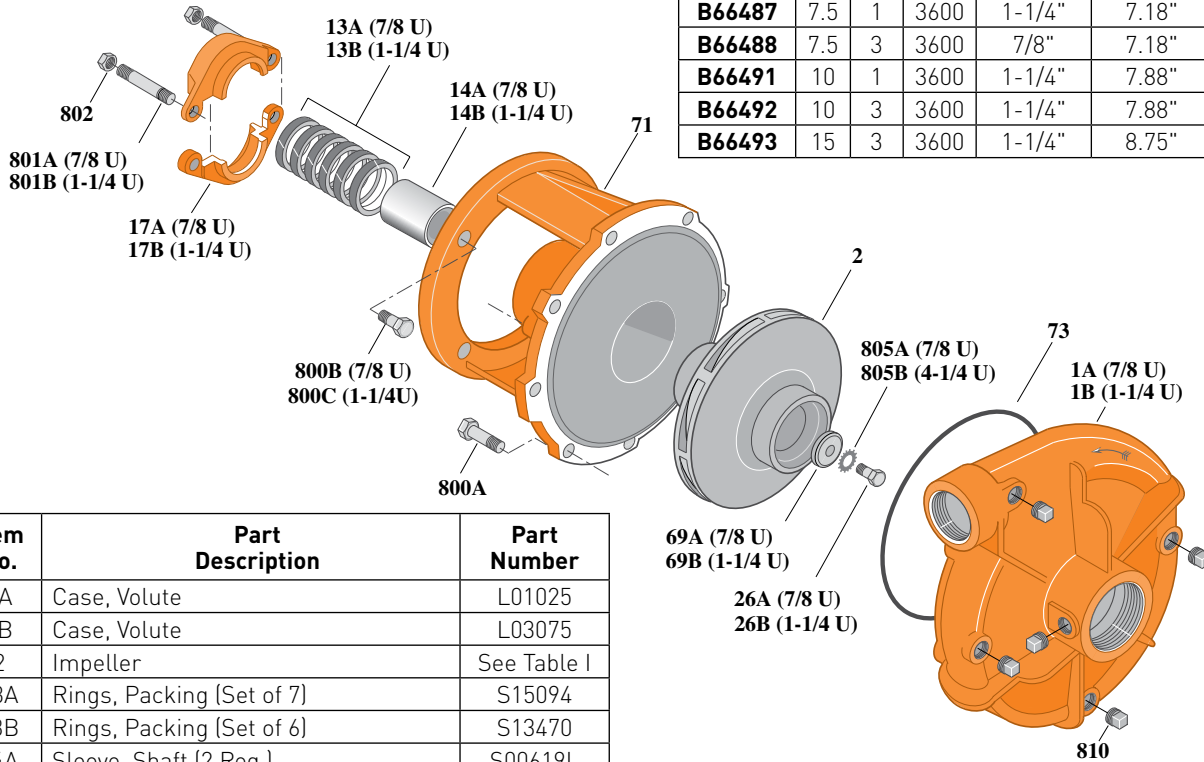
Threaded Case (NPT), Packing Construction

## ELECTRIC MOTOR DRIVE

Section	CC
Page	40.4
Date	March 4, 2013
Supersedes 07/01/11	

**Table I**

B/M No.	HP	PH	RPM	"U" Dim.	Imp. Dia.	Imp. No.
B66487	7.5	1	3600	1-1/4"	7.18"	L06648
B66488	7.5	3	3600	7/8"	7.18"	L06649
B66491	10	1	3600	1-1/4"	7.88"	L06647
B66492	10	3	3600	1-1/4"	7.88"	L06647
B66493	15	3	3600	1-1/4"	8.75"	L06646



Item No.	Part Description	Part Number
1A	Case, Volute	L01025
1B	Case, Volute	L03075
2	Impeller	See Table I
13A	Rings, Packing [Set of 7]	S15094
13B	Rings, Packing [Set of 6]	S13470
14A	Sleeve, Shaft [2 Req.]	S00619L
14B	Sleeve, Shaft	S05149L
17A	Gland, Packing	B82469
17B	Gland, Packing	B82470
26A	Screw, Impeller 3/8 - 16 x 1"	S23566
26B	Screw, Impeller 1/2 - 13 x 1"	S23619
32A	Key, 3/16 x 1-1/4" [See Note 1]	S34383
32B	Key, 1/4 x 2/14" [See Note 1]	S23677
69A	Washer, Impeller	S06314
69B	Washer, Impeller	S06317
71	Bracket	See Table II
73	O-Ring [See Note 2]	M14943
800A	Capscrew, 3/8 - 16 x 1" [12 Req.]	S26826
800B	Capscrew, 3/8 - 16 x 1-1/8" [8 Req.]	S26827
800C	Capscrew, 1/2 - 13 x 1-1/2" [4 Req.]	S26916
801A	Stud, 3/8 - 16 x 3" [2 Req.]	S04439
801B	Stud, 3/8 - 16 x 4" [2 Req.]	S08303
802	Nut, Hex 3/8 - 16 [2 Req.]	S23343
805A	Washer, Lock	S23036
805B	Washer, Lock	S23038
810	Plug, Pipe 1/4 NPT [5 Req.]	S23715

**Table II**

HP	PH	Bracket No.	"AK" Fit	"U" Dim.	Motor Frame
7.5	1	L03827	8-1/2"	1-1/4"	213JP
7.5	3	H00950	4-1/2"	7/8"	184JP
10	1	L03827	8-1/2"	1-1/4"	215JP
10	3	L03827	8-1/2"	1-1/4"	213JP
15	3	L03827	8-1/2"	1-1/4"	215JP

**NOTE 1:** For an explanation of the tabulated material found on this page and for impeller key location, refer to **Supplement A** located at the beginning of this section.

**NOTE 2:** Also accepts gasket **S05126** as replacement for O-Ring. See **Supplement E** located at the beginning of this section.



# BERKELEY® B1-1/2ZPLS

## Bronze Impeller

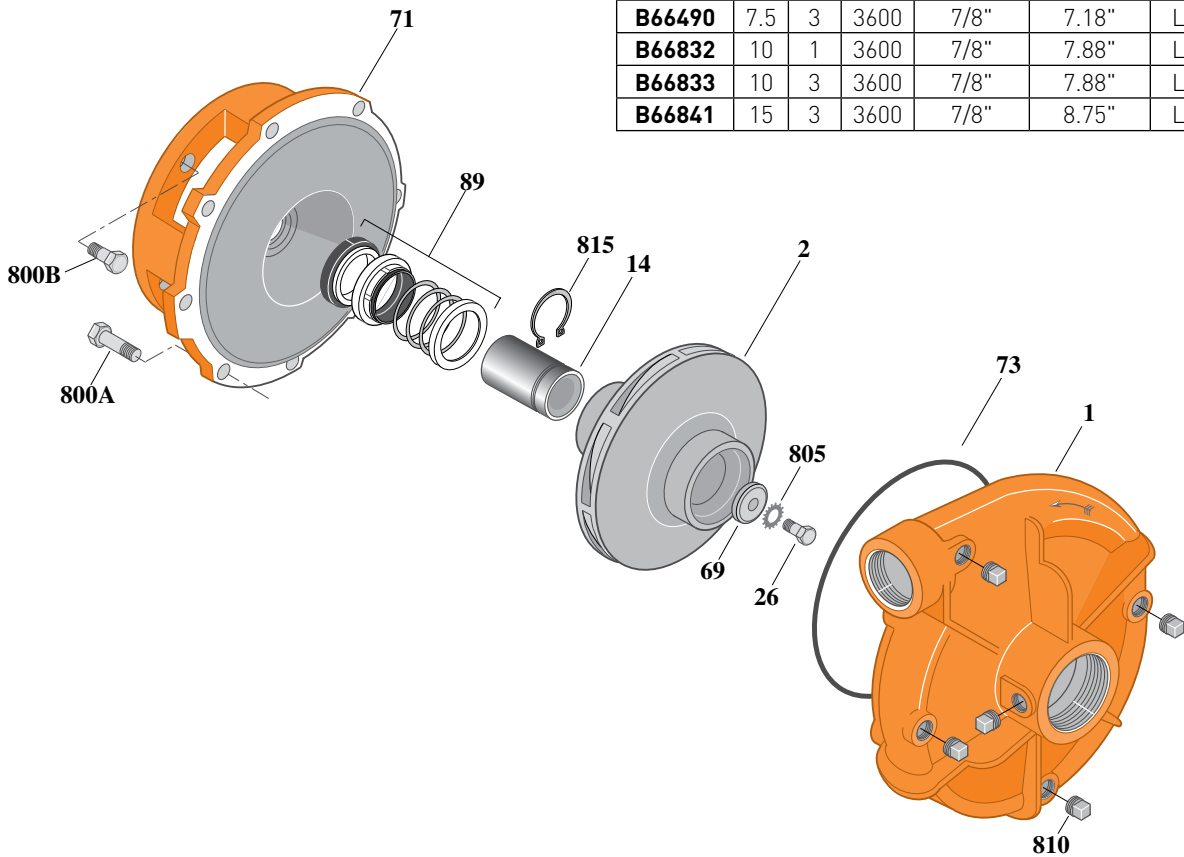
Threaded Case (NPT), Mechanical Shaft Seal Construction

## ELECTRIC MOTOR DRIVE

Section	CC
Page	40.5
Date	March 4, 2013
Supersedes 07/01/11	

**Table I**

B/M No.	HP	PH	RPM	"U" Dim.	Imp. Dia.	Imp. No.
B66489	7.5	1	3600	7/8"	7.18"	L06649
B66490	7.5	3	3600	7/8"	7.18"	L06649
B66832	10	1	3600	7/8"	7.88"	L06609
B66833	10	3	3600	7/8"	7.88"	L06609
B66841	15	3	3600	7/8"	8.75"	L06610



Item No.	Part Description	Part Number
1	Case, Volute	L01025
2	Impeller	See Table I
14	Sleeve, Shaft	S19310L
26	Screw, Impeller 3/8 - 16 x 1"	S23566
32	Key, 3/16 x 1-1/4" [See Note 1]	S34383
69	Washer, Impeller	S06314
71	Bracket	See Table II
73	O-Ring [See Note 2]	M14943
89	Seal, Mechanical Shaft	S32014
800A	Capscrew, 3/8 - 16 x 1" [8 Req.]	S26826
800B	Capscrew, 1/2 - 13 x 1" [4 Req.]	S26912
805	Washer, Lock	S23036
810	Plug, Pipe 1/4 NPT [5 Req.]	S23715
815	Ring, Retaining	S11207

**Table II**

HP	PH	Bracket No.	"AK" Fit	"U" Dim.	Motor Frame
7.5	1	L05331	8-1/2"	7/8"	213JM
7.5	3	L05332	4-1/2"	7/8"	184JM
10	1	L05331	8-1/2"	7/8"	215JM
10	3	L05331	8-1/2"	7/8"	213JM
15	3	L05331	8-1/2"	7/8"	215JM

**NOTE 1:** For an explanation of the tabulated material found on this page and for impeller key location, refer to **Supplement A** located at the beginning of this section.

**NOTE 2:** Also accepts gasket **S05126** as replacement for O-Ring. See **Supplement E** located at the beginning of this section.



# BERKELEY® B1-1/2ZPLS Silicon Bronze Impeller

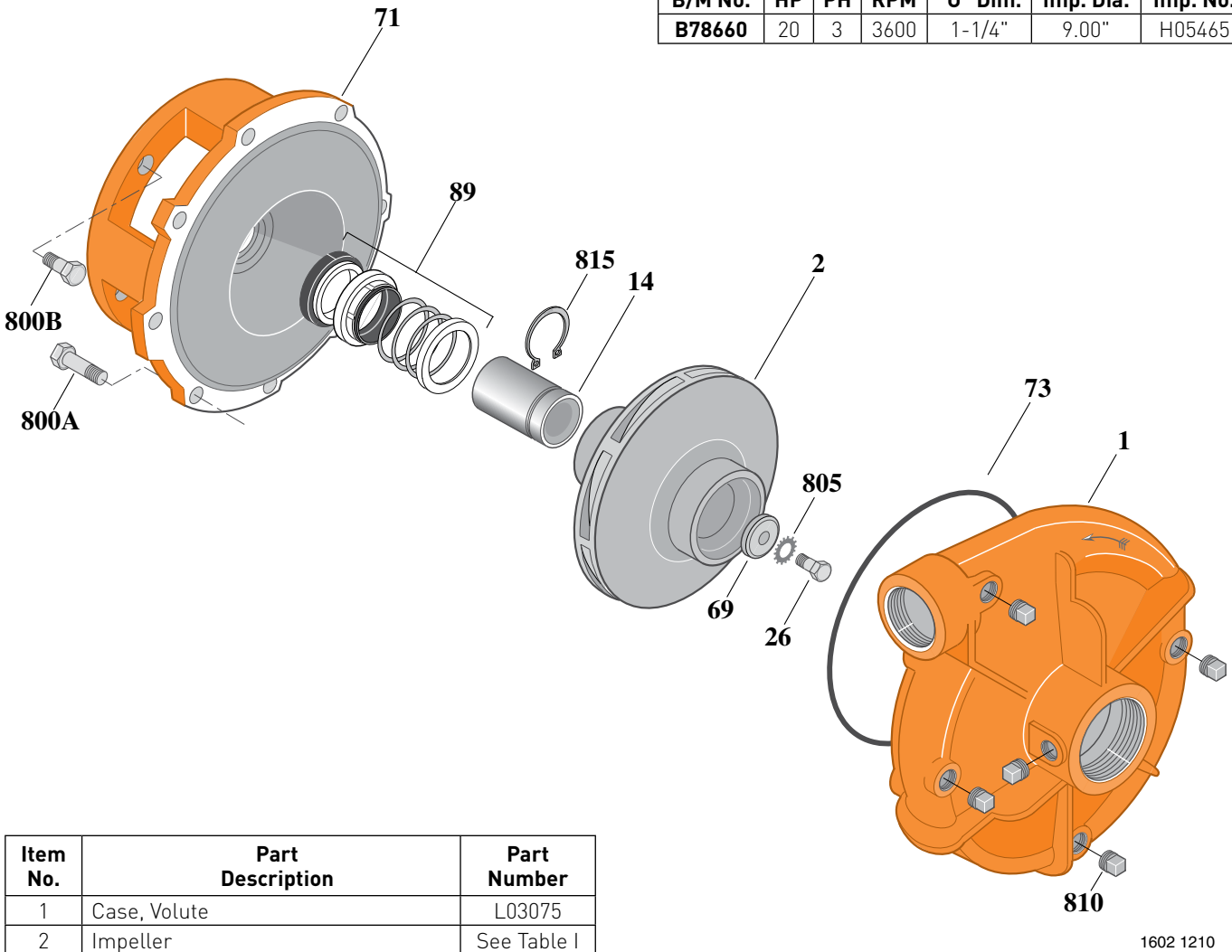
Threaded Case (NPT), Mechanical Shaft Seal Construction

ELECTRIC MOTOR DRIVE

Section	CC
Page	40.6
Date	March 4, 2013
Supersedes 07/01/11	

**Table I**

B/M No.	HP	PH	RPM	"U" Dim.	Imp. Dia.	Imp. No.
B78660	20	3	3600	1-1/4"	9.00"	H05465



1602 1210

Item No.	Part Description	Part Number
1	Case, Volute	L03075
2	Impeller	See Table I
14	Sleeve, Shaft	S18869L
26	Screw, Impeller 1/2 - 13 x 1"	S23619
32	Key, 1/4 x 2-1/4" [See Note 1]	S23677
69	Washer, Impeller	S06317
71	Bracket	See Table II
73	O-Ring [See Note 2]	M14943
89	Seal, Mechanical Shaft	S32015
800A	Capscrew, 3/8 - 16 x 1-1/8" [8 Req.]	S26827
800B	Capscrew, 1/2 - 13 x 1" [4 Req.]	S26912
805	Washer, Lock	S23038
810	Plug, Pipe 1/4 NPT [5 Req.]	S23715
815	Ring, Retaining	S16767

**Table II**

HP	PH	Bracket No.	"AK" Fit	"U" Dim.	Motor Frame
20	3	L04615	8-1/2"	1-1/4"	254JM

**NOTE 1:** For an explanation of the tabulated material found on this page and for impeller key location, refer to **Supplement A** located at the beginning of this section.

**NOTE 2:** Also accepts gasket **S05126** as replacement for O-Ring. See **Supplement E** located at the beginning of this section.



# BERKELEY® B1-1/2ZPL

## Silicon Bronze Impeller

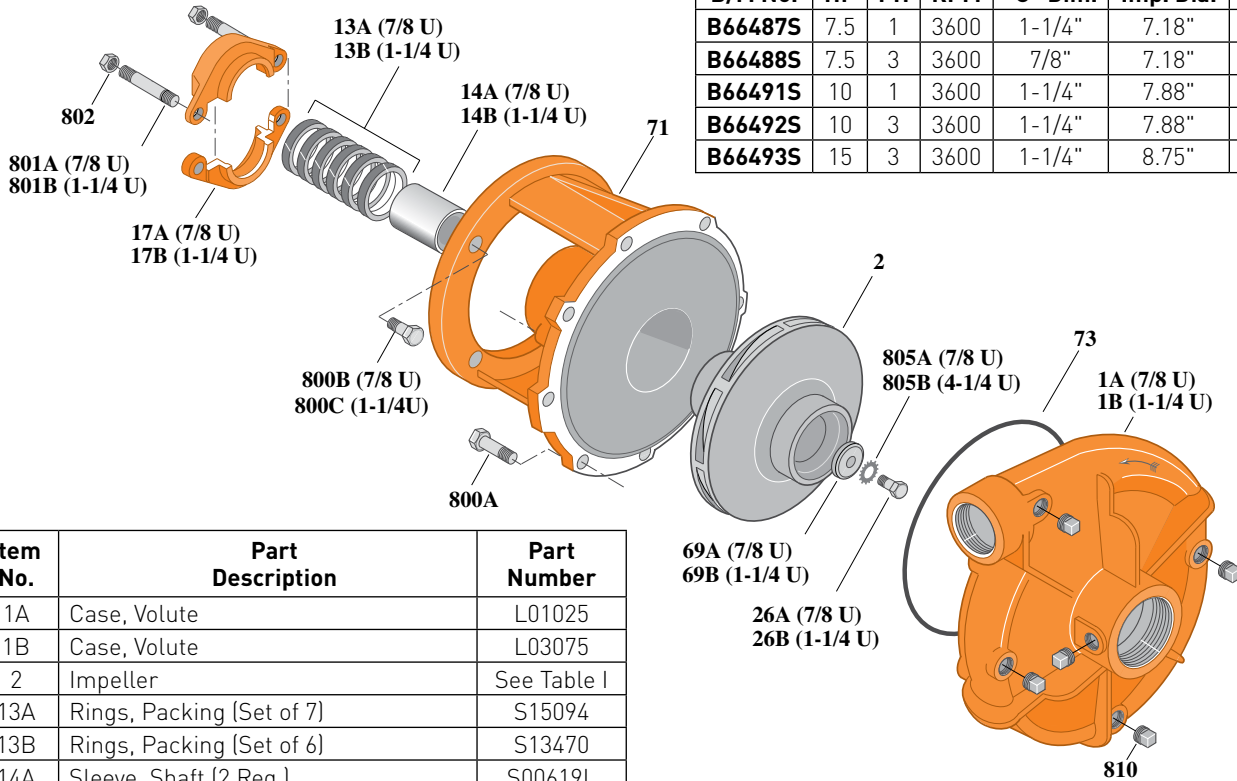
Threaded Case (NPT), Packing Construction

## ELECTRIC MOTOR DRIVE

Section	CC
Page	40.7
Date	March 4, 2013
Supersedes 07/01/11	

**Table I**

B/M No.	HP	PH	RPM	"U" Dim.	Imp. Dia.	Imp. No.
B66487S	7.5	1	3600	1-1/4"	7.18"	H05458
B66488S	7.5	3	3600	7/8"	7.18"	H05459
B66491S	10	1	3600	1-1/4"	7.88"	H05460
B66492S	10	3	3600	1-1/4"	7.88"	H05460
B66493S	15	3	3600	1-1/4"	8.75"	H05461



Item No.	Part Description	Part Number
1A	Case, Volute	L01025
1B	Case, Volute	L03075
2	Impeller	See Table I
13A	Rings, Packing [Set of 7]	S15094
13B	Rings, Packing [Set of 6]	S13470
14A	Sleeve, Shaft [2 Req.]	S00619L
14B	Sleeve, Shaft	S05149L
17A	Gland, Packing	B82469
17B	Gland, Packing	B82470
26A	Screw, Impeller 3/8 - 16 x 1"	S23566
26B	Screw, Impeller 1/2 - 13 x 1"	S23619
32A	Key, 3/16 x 1-1/4" [See Note1]	S34383
32B	Key, 1/4 x 2/14" [See Note1]	S23677
69A	Washer, Impeller	S06314
69B	Washer, Impeller	S06317
71	Bracket	See Table II
73	O-Ring [See Note 2]	M14943
800A	Capscrew, 3/8 - 16 x 1" [8 Req.]	S26826
800B	Capscrew, 3/8 - 16 x 1-1/8" [4 Req.]	S26827
800C	Capscrew, 1/2 - 13 x 1-1/2" [4 Req.]	S26916
801A	Stud, 3/8 - 16 x 3" [2 Req.]	S04439
801B	Stud, 3/8 - 16 x 4" [2 Req.]	S08303
802	Nut, Hex 3/8 - 16 [2 Req.]	S23343
805A	Washer, Lock	S23036
805B	Washer, Lock	S23038
810	Plug, Pipe 1/4" NPT [5 Req.]	S23715

**Table II**

HP	PH	Bracket No.	"AK" Fit	"U" Dim.	Motor Frame
7.5	1	L03827	8-1/2"	1-1/4"	213JP
7.5	3	H00950	4-1/2"	7/8"	184JP
10	1	L03827	8-1/2"	1-1/4"	215JP
10	3	L03827	8-1/2"	1-1/4"	213JP
15	3	L03827	8-1/2"	1-1/4"	215JP

**NOTE 1:** For an explanation of the tabulated material found on this page and for impeller key location, refer to **Supplement A** located at the beginning of this section.

**NOTE 2:** Also accepts gasket **S05126** as replacement for O-Ring. See **Supplement E** located at the beginning of this section.



# BERKELEY® B1-1/2ZPLS

## Silicon Bronze Impeller

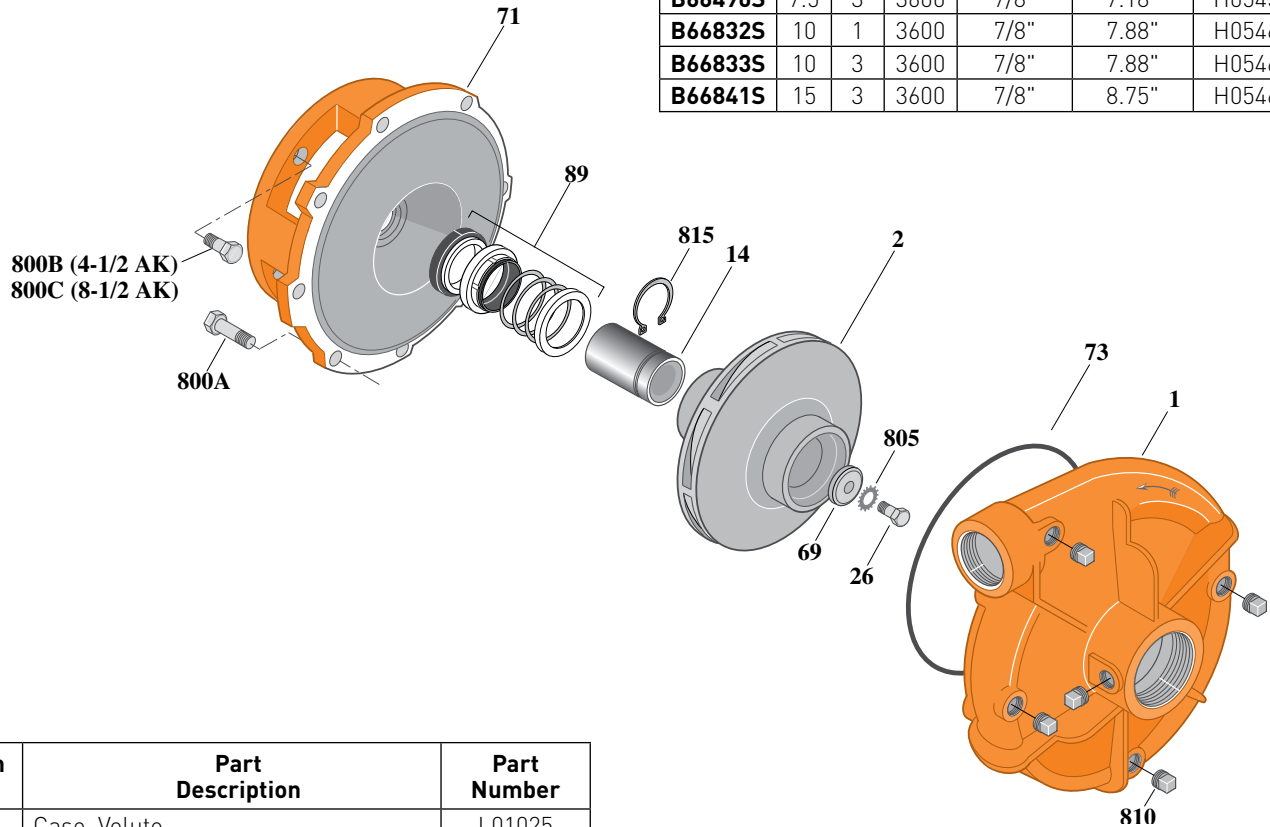
Threaded Case (NPT), Mechanical Shaft Seal Construction

ELECTRIC MOTOR DRIVE

Section	CC
Page	40.8
Date	March 4, 2013
Supersedes 07/01/11	

**Table I**

B/M No.	HP	PH	RPM	"U" Dim.	Imp. Dia.	Imp. No.
<b>B66489S</b>	7.5	1	3600	7/8"	7.18"	H05459
<b>B66490S</b>	7.5	3	3600	7/8"	7.18"	H05459
<b>B66832S</b>	10	1	3600	7/8"	7.88"	H05463
<b>B66833S</b>	10	3	3600	7/8"	7.88"	H05463
<b>B66841S</b>	15	3	3600	7/8"	8.75"	H05464



Item No.	Part Description	Part Number
1	Case, Volute	L01025
2	Impeller	See Table I
14	Sleeve, Shaft	S19310L
26	Screw, Impeller 3/8 - 16 x 1"	S23566
32	Key, 3/16 x 1-1/4" [See Note 1]	S34383
69	Washer, Impeller	S06314
71	Bracket	See Table II
73	O-Ring [See Note 3]	M14943
89	Seal, Mechanical Shaft	S32014
800A	Capscrew, 3/8 - 16 x 1" [8 Req.]	S26826
800B	Capscrew, 3/8 - 16 x 1" [4 Req.]	S26826
800C	Capscrew, 1/2 - 13 x 1" [4 Req.]	S26912
805	Washer, Lock	S23036
810	Plug, Pipe 1/4" NPT [5 Req.]	S23715
815	Ring, Retaining	S11207
•	Plug, Pipe 1/8" NPT (In Bracket)	S23714

• Not illustrated.

**Table II**

HP	PH	Bracket No.	"AK" Fit	"U" Dim.	Motor Frame
7.5	1	L05331	8-1/2"	7/8"	213JM
7.5	3	L05332	4-1/2"	7/8"	184JM
10	1	L05331	8-1/2"	7/8"	215JM
10	3	L05331	8-1/2"	7/8"	213JM
15	3	L05331	8-1/2"	7/8"	215JM

**NOTE 1:** For an explanation of the tabulated material found on this page and for impeller key location, refer to **Supplement A** located at the beginning of this section.

**NOTE 2:** For seal flush line details, see **Supplement D**.

**NOTE 3:** Also accepts gasket **S05126** as replacement for O-Ring. See **Supplement E** located at the beginning of this section.

