

# BERKELEY® B3ZRM

## Cast Iron Impeller

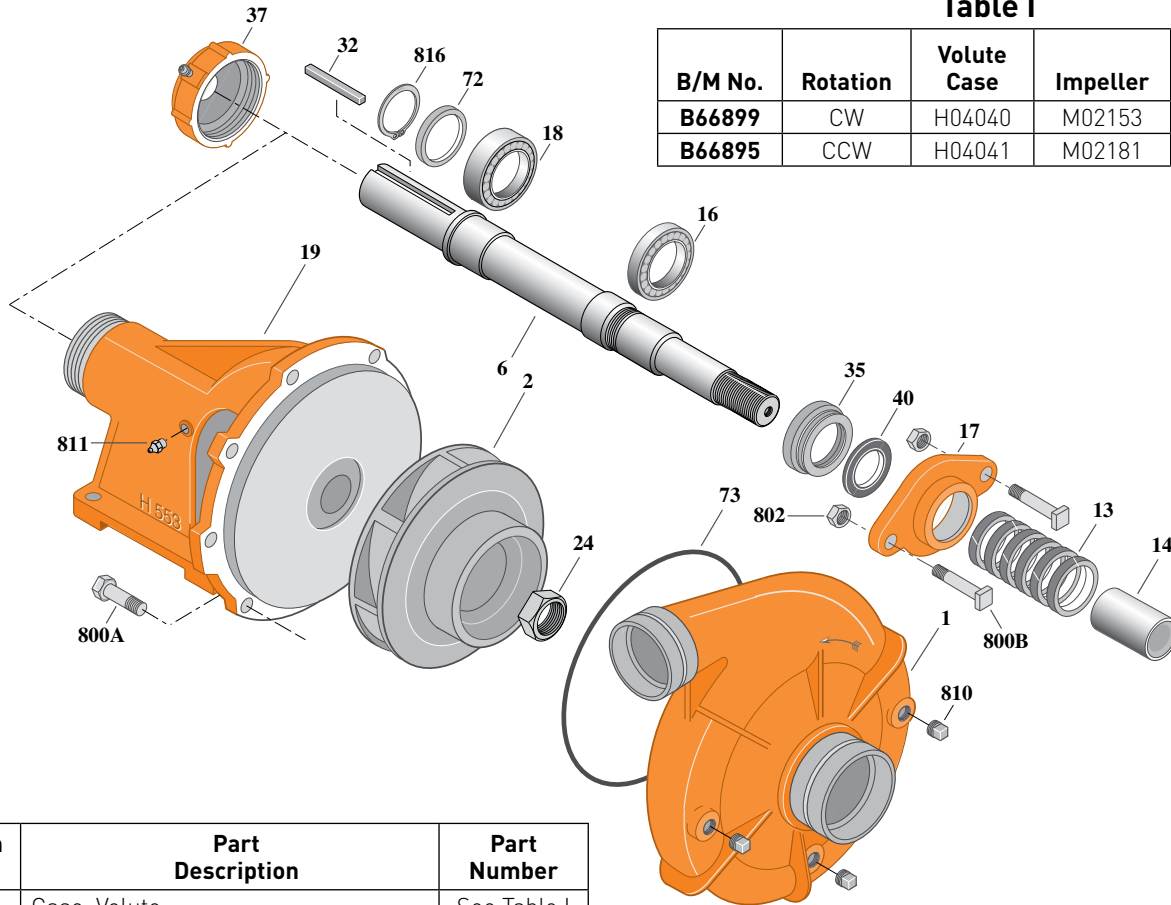
Victaulic Case, Packing Construction

### BEARING FRAME MOUNT

Section	FM
Page	130.1
Date	March 4, 2013
Supersedes 07/01/11	

Table I

B/M No.	Rotation	Volute Case	Impeller	Impeller Diameter
B66899	CW	H04040	M02153	9.00"
B66895	CCW	H04041	M02181	9.00"



Item No.	Part Description	Part Number
1	Case, Volute	See Table I
2	Impeller	See Table I
6	Shaft (Not sold separately)	See Note 2
13	Ring, Packing (Set of 6)	S14022
14	Sleeve, Shaft	S05127L
16	Bearing, Ball	S13270
17	Gland, Packing (See Note 1)	S04948
18	Bearing, Ball	S13271
19	Frame	H00553
24	Locknut, Impeller (CW)	M10220
24	Locknut, Impeller (CCW)	U36-189SS
32	Key, 1/4x2-1/8"	S24255
35	Inner Bearing Cap	S19033
37	Outer Bearing Cap Assembly*	S19914
40	Slinger, Water	S12260
72	Ring, Thrust	S29218
73	O-Ring (See Note 3)	M14943

Item No.	Part Description	Part Number
800A	Capscrew, Hex 3/8-16x7/8" [8 Req.]	S26825
800B	Bolt, Sq. Head 3/8-16x2-1/2" [2 Req.]	S23762
802	Nut, Hex 3/8-16 [2 Req.]	S23343
810	Plug, Pipe 1/4 NPT [3 Req.]	S23715
811	Fitting, Grease	S23670
816	Ring, Retaining	S23010

**NOTE 1:** A two piece (split) stainless steel packing gland is available for replacement, order part number **B82468**.

**NOTE 2:** **Shaft Replacement Kit** available for this model. Berkeley part number **B80698** for CW, **B80696** for CCW. Pump Shaft sold in shaft replacement kit only.

**NOTE 3:** Also accepts gasket **S05126** as replacement for O-Ring. See **Supplement E** located at the beginning of this section.

\* Includes grease fitting and set screw.



# BERKELEY® B3ZRM

## Cast Iron Impeller

Victaulic Case, Packing Construction

### BEARING FRAME MOUNT

Section	FM
Page	130.1.1
Date	March 4, 2013
Supersedes 03/01/07	

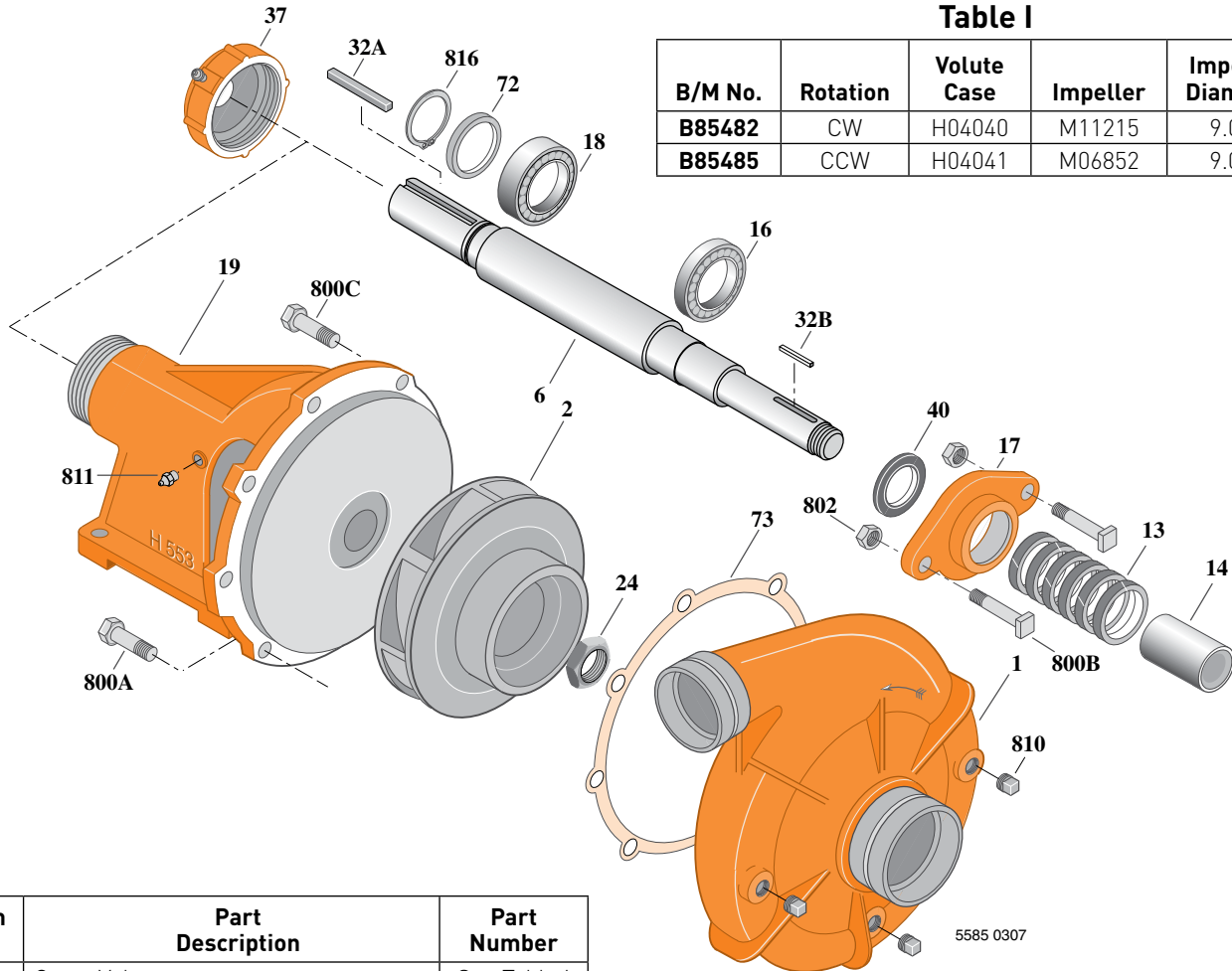


Table I

B/M No.	Rotation	Volute Case	Impeller	Impeller Diameter
B85482	CW	H04040	M11215	9.00"
B85485	CCW	H04041	M06852	9.00"

Item No.	Part Description	Part Number
1	Case, Volute	See Table I
2	Impeller	See Table I
6	Shaft (Not sold separately)	See Note 2
13	Ring, Packing (Set of 6)	S14022
14	Sleeve, Shaft	S05127L
16	Bearing, Ball	S13270
17	Gland, Packing (See Note 1)	S04948
18	Bearing, Ball	S13271
19	Frame	H00553
24	Locknut, Impeller (CW and CCW)	M10220
32A	Key, 1/4x2-1/8"	S24255
32B	Key, 3/16x1-1/4"	S34383
37	Outer Bearing Cap Assembly*	S19914
40	Slinger, Water	S12260
72	Ring, Thrust	S29218

Item No.	Part Description	Part Number
73	Gasket, Volute	S05126
800A	Capscrew, Hex 3/8-16x7/8" (6 Req.)	S26825
800B	Bolt, Sq. Head 3/8-16x2-1/2" (2 Req.)	S23762
800C	Capscrew, Hex 3/8-16x1-1/8" (2 Req.)	S26827
802	Nut, Hex 3/8-16 (2 Req.)	S23343
810	Plug, Pipe 1/4 NPT (3 Req.)	S23715
811	Fitting, Grease	S23670
816	Ring, Retaining	S23010

**NOTE 1:** A two piece (split) stainless steel packing gland is available for replacement, order part number **B82468**.

**NOTE 2: Shaft Replacement Kit** available for this model. Berkeley part number **B85540** for CW, **B85539** for CCW. Pump Shaft sold in shaft replacement kit only.

\* Includes grease fitting and set screw.



# BERKELEY® B3ZRMS

## Cast Iron Impeller

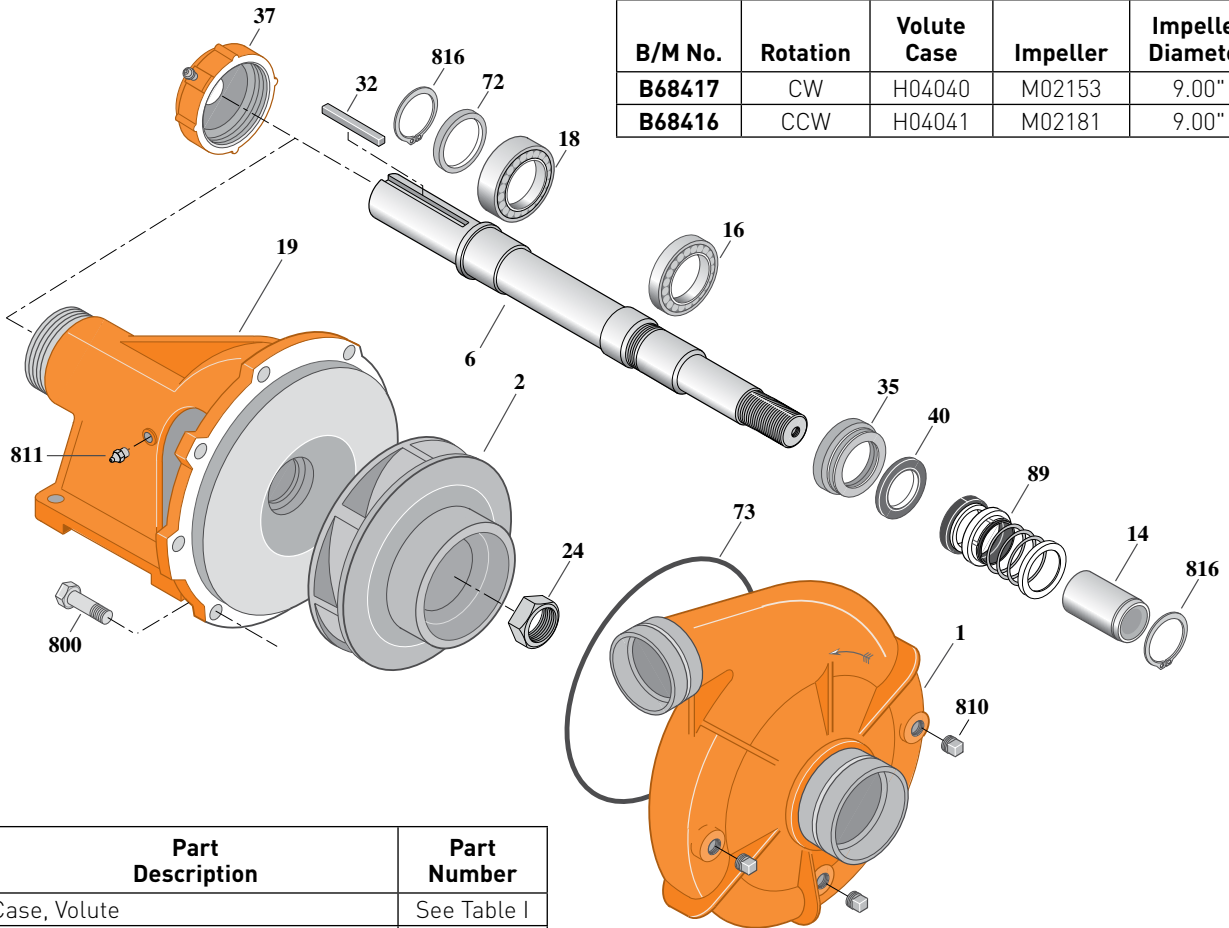
Victaulic Case, Mechanical Seal Construction

### BEARING FRAME MOUNT

Section	FM
Page	130.2
Date	March 4, 2013
Supersedes 07/01/11	

**Table I**

B/M No.	Rotation	Volute Case	Impeller	Impeller Diameter
<b>B68417</b>	CW	H04040	M02153	9.00"
<b>B68416</b>	CCW	H04041	M02181	9.00"



Item No.	Part Description	Part Number
1	Case, Volute	See Table I
2	Impeller	See Table I
6	Shaft (Not sold separately)	See Note 1
14	Sleeve, Shaft	S39242L
16	Bearing, Ball	S13270
18	Bearing, Ball	S13271
19	Frame	H04007
24	Locknut, Impeller (CW)	M10220
24	Locknut, Impeller (CCW)	U36-189SS
32	Key, 1/4x2-1/8"	S24255
35	Inner Bearing Cap	S19033
37	Outer Bearing Cap Assembly*	S19914
40	Slinger, Water	S12260
72	Ring, Thrust	S29218
73	O-Ring [See Note 2]	M14943
89	Seal, Mechanical Shaft	S32690

Item No.	Part Description	Part Number
800	Capscrew, Hex 3/8-16x7/8" (8 Req.)	S26825
810	Plug, Pipe 1/4 NPT (3 Req.)	S23715
811	Fitting, Grease	S23670
816	Ring, Retaining	S23009
816	Ring, Retaining	S23010

**NOTE 1: Shaft Replacement Kit** available for this model. Berkeley part number **B80699** for CW, **B80697** for CCW. Pump Shaft sold in shaft replacement kit only.

**NOTE 2:** Also accepts gasket **S05126** as replacement for O-Ring. See **Supplement E** located at the beginning of this section.

\* Includes grease fitting and set screw.



# BERKELEY® B3ZRMS

## Cast Iron Impeller

Victaulic Case, Mechanical Seal Construction

### BEARING FRAME MOUNT

Section	FM
Page	130.2.1
Date	March 4, 2013
Supersedes 03/01/07	

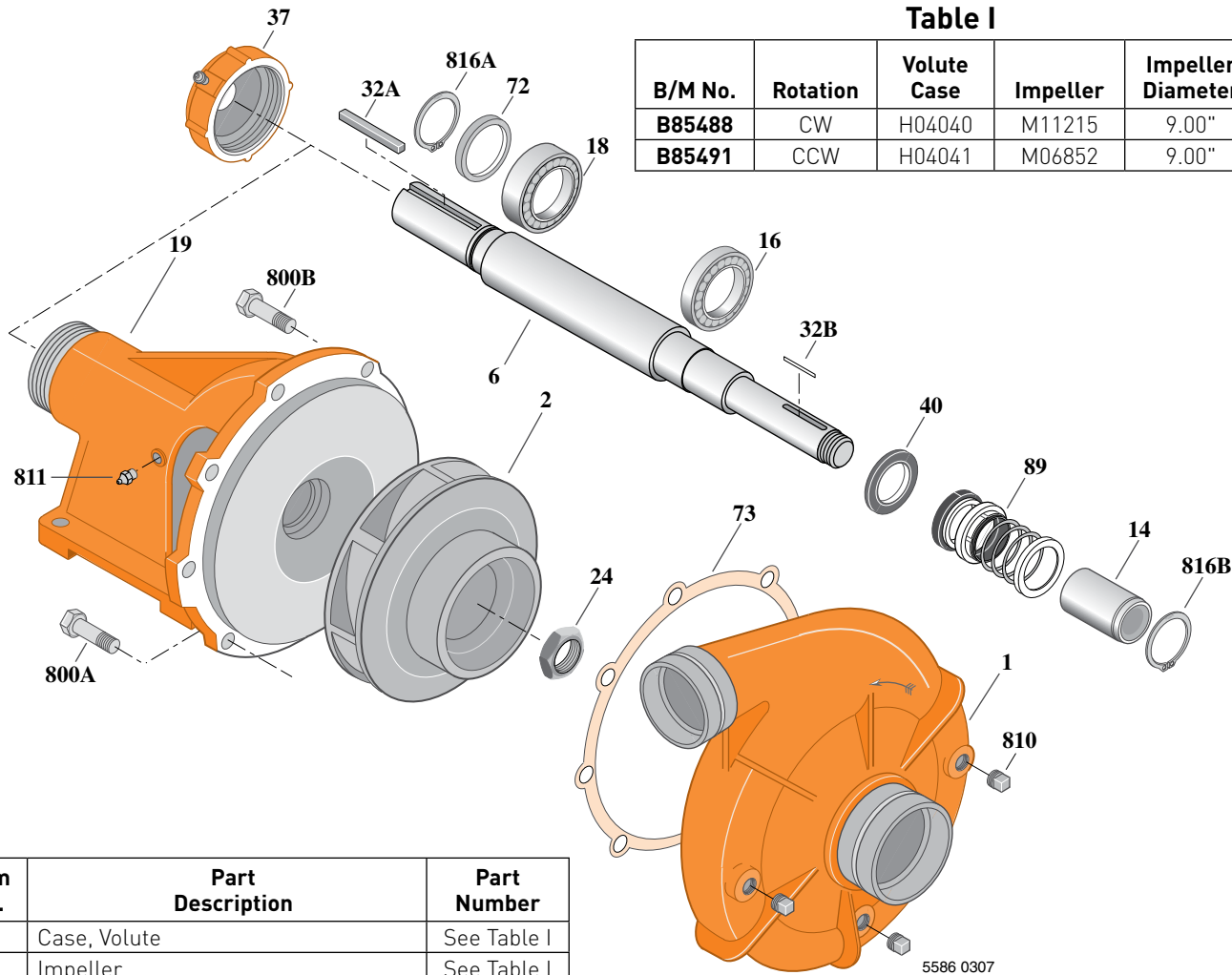


Table I

B/M No.	Rotation	Volute Case	Impeller	Impeller Diameter
<b>B85488</b>	CW	H04040	M11215	9.00"
<b>B85491</b>	CCW	H04041	M06852	9.00"

Item No.	Part Description	Part Number
1	Case, Volute	See Table I
2	Impeller	See Table I
6	Shaft (Not sold separately)	See Note 1
14	Sleeve, Shaft	M14869L
16	Bearing, Ball	S13270
18	Bearing, Ball	S13271
19	Frame	H04007
24	Locknut, Impeller (CW and CCW)	M10220
32A	Key, 1/4x2-1/8"	S24255
32B	Key, 3/16"x1-1/4"	S34383
37	Outer Bearing Cap Assembly*	S19914
40	Slinger, Water	S12260
72	Ring, Thrust	S29218
73	Gasket, Volute	S05126
89	Seal, Mechanical Shaft	S32690

Item No.	Part Description	Part Number
800A	Capscrew, Hex 3/8-16x7/8" [6 Req.]	S26825
800B	Capscrew, Hex 3/8-16x1-1/8" [2 Req.]	S26827
810	Plug, Pipe 1/4 NPT [3 Req.]	S23715
811	Fitting, Grease	S23670
816A	Ring, Retaining	S23010
816B	Ring, Retaining	S23009

**NOTE 1: Shaft Replacement Kit** available for this model. Berkeley part number **B85542** for CW, **B85543** for CCW. Pump Shaft sold in shaft replacement kit only.

\* Includes grease fitting and set screw.



# BERKELEY® B3ZRM

## Cast Iron Impeller

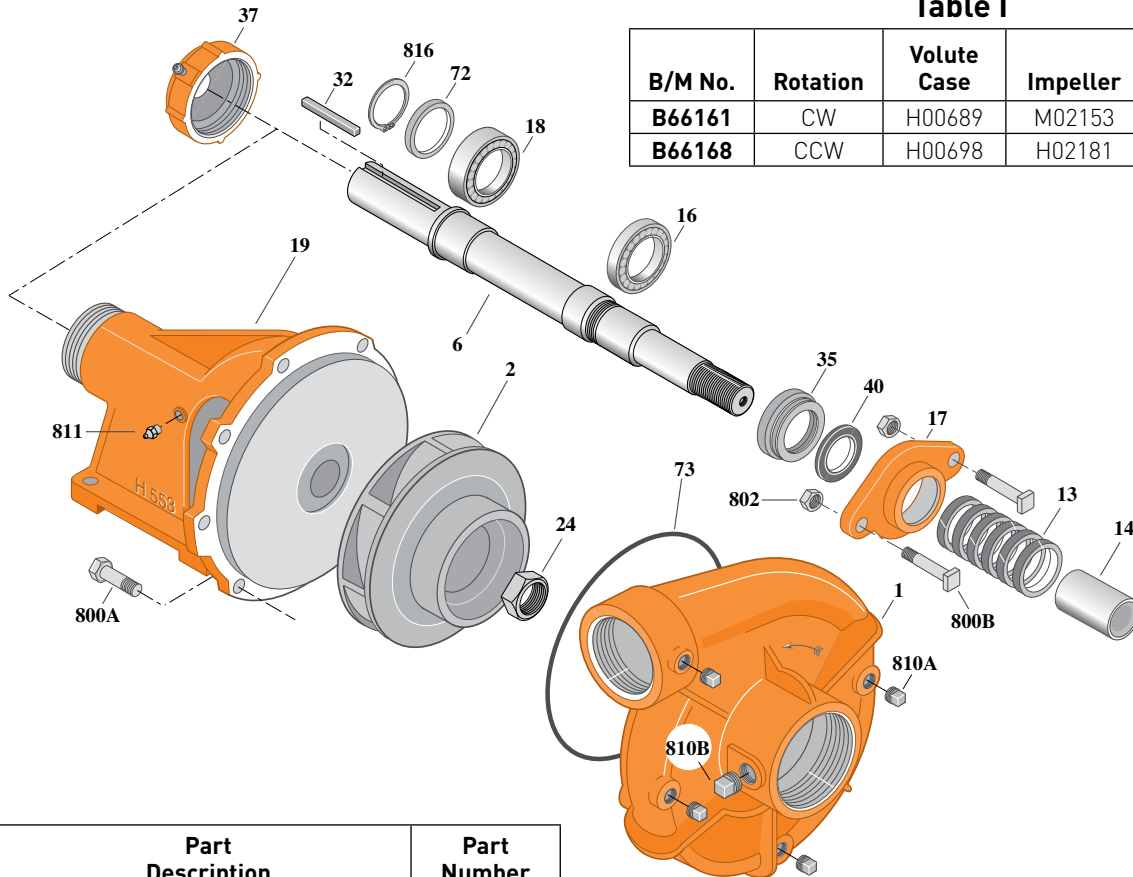
Threaded Case (NPT), Packing Construction

### BEARING FRAME MOUNT

Section	FM
Page	130.3
Date	March 4, 2013
Supersedes 07/01/11	

Table I

B/M No.	Rotation	Volute Case	Impeller	Impeller Diameter
<b>B66161</b>	CW	H00689	M02153	9.00"
<b>B66168</b>	CCW	H00698	H02181	9.00"



Item No.	Part Description	Part Number
1	Case, Volute	See Table I
2	Impeller	See Table I
6	Shaft (Not sold separately)	See Note 2
13	Ring, Packing (Set of 6)	S14022
14	Sleeve, Shaft	S05127L
16	Bearing, Ball	S13270
17	Gland, Packing (See Note 1)	S04948
18	Bearing, Ball	S13271
19	Frame	H00553
24	Locknut, Impeller (CW)	M10220
24	Locknut, Impeller (CCW)	U36-189SS
32	Key, 1/4x2-1/8"	S24255
35	Inner Bearing Cap	S19033
37	Outer Bearing Cap Assembly*	S19914
40	Slinger, Water	S12260
72	Ring, Thrust	S29218
73	O-Ring (See Note 3)	M14943

Item No.	Part Description	Part Number
800A	Capscrew, Hex 3/8-16x1" (8 Req.)	S26826
800B	Bolt, Sq. Head 3/8-16x2-1/2" (2 Req.)	S23762
802	Nut, Hex 3/8-16 (2 Req.)	S23343
810A	Plug, Pipe 1/4 NPT (4 Req.)	S23715
810B	Plug, Pipe 1/2 NPT	S23717
811	Fitting, Grease	S23670
816	Ring, Retaining	S23010

**NOTE 1:** A two piece (split) stainless steel packing gland is available for replacement, order part number **B82468**.

**NOTE 2:** **Shaft Replacement Kit** available for this model. Berkeley part number **B80698** for CW, **B80696** for CCW. Pump Shaft sold in shaft replacement kit only.

**NOTE 3:** Also accepts gasket **S05126** as replacement for O-Ring. See **Supplement E** located at the beginning of this section.

\* Includes grease fitting and set screw.



# BERKELEY® B3ZRM

## Cast Iron Impeller

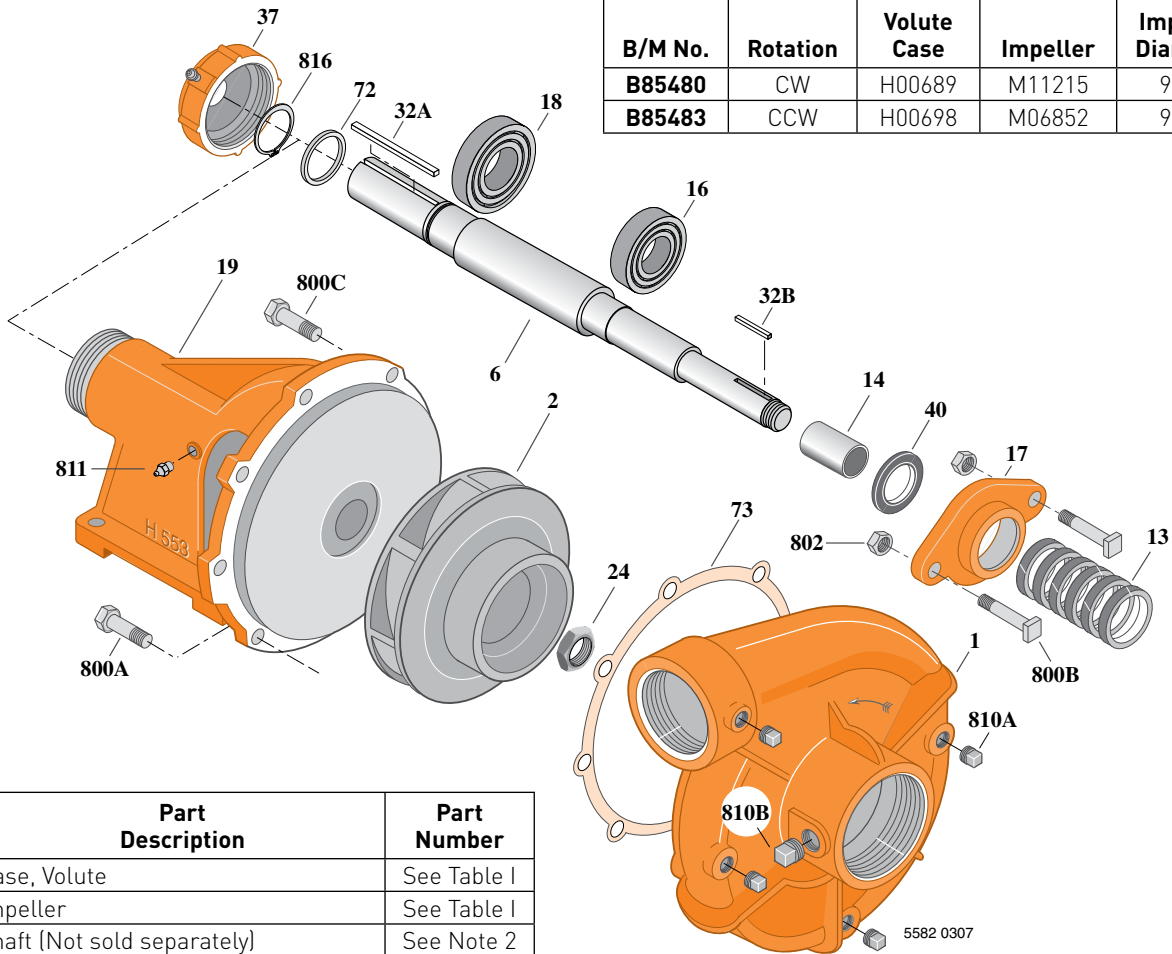
Threaded Case (NPT), Packing Construction

### BEARING FRAME MOUNT

Section	FM
Page	130.3.1
Date	March 4, 2013
Supersedes 03/01/07	

Table I

B/M No.	Rotation	Volute Case	Impeller	Impeller Diameter
B85480	CW	H00689	M11215	9.00"
B85483	CCW	H00698	M06852	9.00"



Item No.	Part Description	Part Number
1	Case, Volute	See Table I
2	Impeller	See Table I
6	Shaft (Not sold separately)	See Note 2
13	Ring, Packing (Set of 6)	S14022
14	Sleeve, Shaft	S05127L
16	Bearing, Ball	S13270
17	Gland, Packing (See Note 1)	S04948
18	Bearing, Ball	S13271
19	Frame	H00553
24	Locknut, Impeller (CW and CCW)	M10220
32A	Key, 1/4x2-1/8"	S24255
32B	Key, 3/16x1-1/4"	S34383
37	Outer Bearing Cap Assembly*	S19914
40	Slinger, Water	S12260
72	Ring, Thrust	S29218
73	Gasket, Volute	S05126
800A	Capscrew, Hex 3/8-16x7/8" (6 Req.)	S26825

Item No.	Part Description	Part Number
800B	Bolt, Sq. Head 3/8-16x2-1/2" (2 Req.)	S23762
800C	Capscrew, Hex 3/8-16x1-1/8" (2 Req.)	S26827
802	Nut, Hex 3/8-16 (2 Req.)	S23343
810A	Plug, Pipe 1/4 NPT (4 Req.)	S23715
810B	Plug, Pipe 1/2 NPT	S23717
811	Fitting, Grease	S23670
816	Ring, Retaining	S23010

**NOTE 1:** A two piece (split) stainless steel packing gland is available for replacement, order part number **B82468**.

**NOTE 2:** **Shaft Replacement Kit** available for this model. Berkeley part number **B85540** for CW, **B85539** for CCW. Pump Shaft sold in shaft replacement kit only.

\* Includes grease fitting and set screw.



# BERKELEY® B3ZRMS

## Cast Iron Impeller

Threaded Case (NPT), Mechanical Seal Construction

### BEARING FRAME MOUNT

Section	FM
Page	130.4
Date	March 4, 2013
Supersedes 07/01/11	

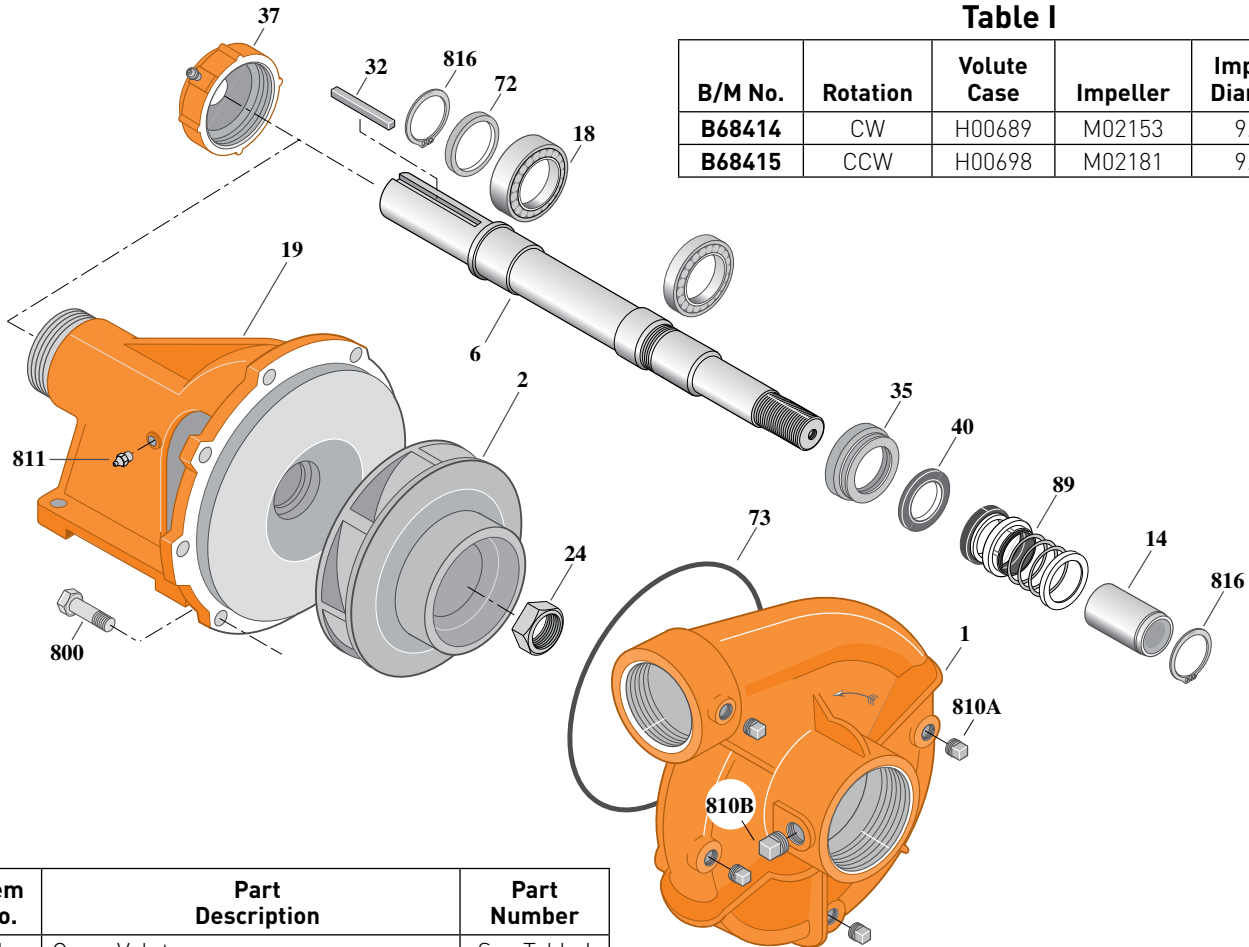


Table I

B/M No.	Rotation	Volute Case	Impeller	Impeller Diameter
<b>B68414</b>	CW	H00689	M02153	9.00"
<b>B68415</b>	CCW	H00698	M02181	9.00"

Item No.	Part Description	Part Number
1	Case, Volute	See Table I
2	Impeller	See Table I
6	Shaft (Not sold separately)	See Note 1
14	Sleeve, Shaft	S39242L
16	Bearing, Ball	S13270
18	Bearing, Ball	S13271
19	Frame	H04007
24	Locknut, Impeller (CW)	M10220
24	Locknut, Impeller (CCW)	U36-189SS
32	Key, 1/4x2-1/8"	S24255
35	Inner Bearing Cap	S19033
37	Outer Bearing Cap Assembly*	S19914
40	Slinger, Water	S12260
72	Ring, Thrust	S29218
73	O-Ring [See Note 2]	M14943
89	Seal, Mechanical Shaft	S32690

\* Includes grease fitting and set screw.

Item No.	Part Description	Part Number
800	Capscrew, Hex 3/8-16x1" (8 Req.)	S26826
810A	Plug, Pipe 1/4 NPT (4 Req.)	S23715
810B	Plug, Pipe 1/2 NPT	S23717
811	Fitting, Grease	S23670
816	Ring, Retaining	S23009
816	Ring, Retaining	S23010

**NOTE 1: Shaft Replacement Kit** available for this model. Berkeley part number **B80699** for CW, **B80697** for CCW. Pump Shaft sold in shaft replacement kit only.

**NOTE 2:** Also accepts gasket **S05126** as replacement for O-Ring. See **Supplement E** located at the beginning of this section.

1998 1210



# BERKELEY® B3ZRMS

## Cast Iron Impeller

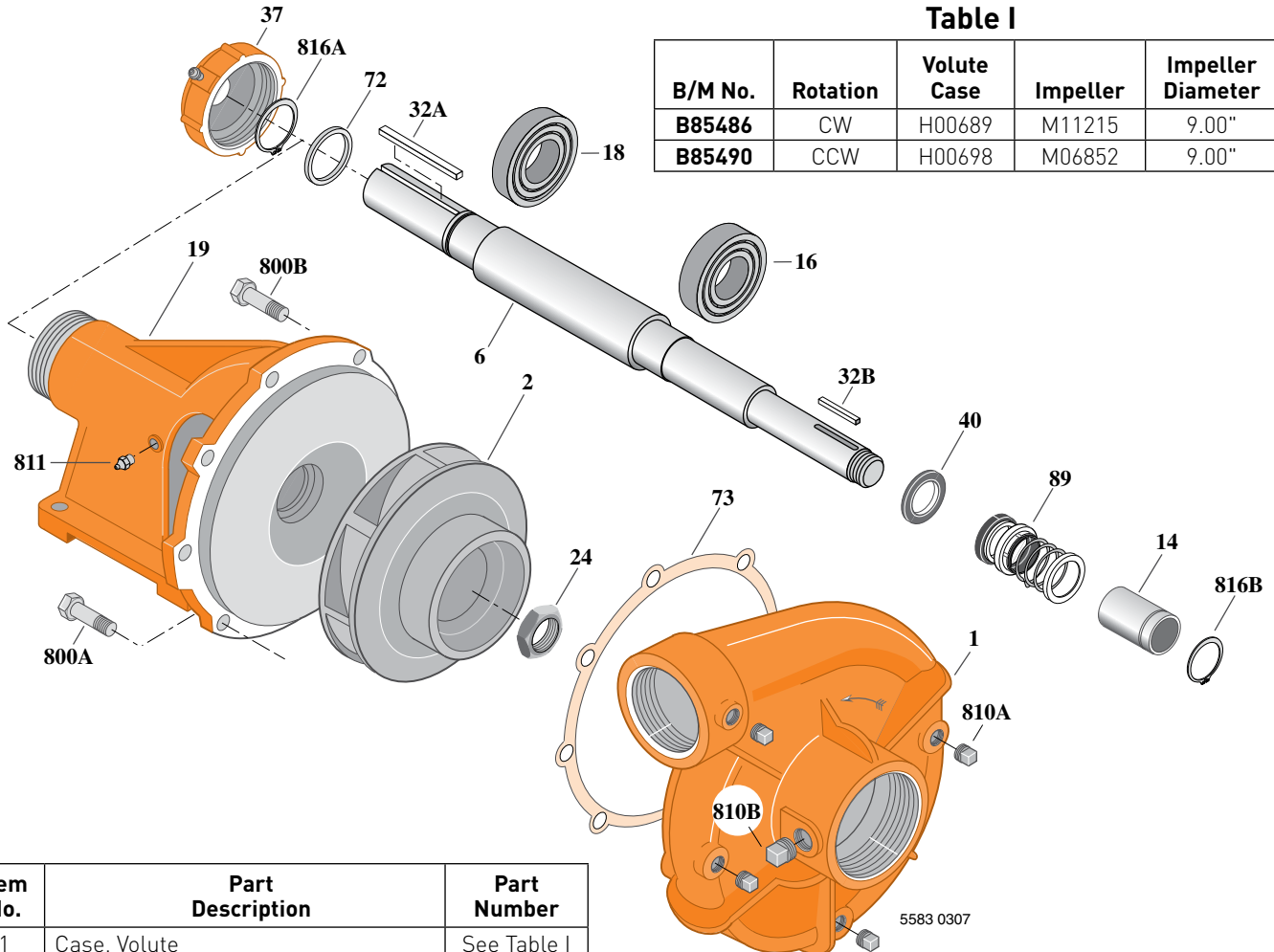
Threaded Case (NPT), Mechanical Seal Construction

### BEARING FRAME MOUNT

Section	FM
Page	130.4.1
Date	March 4, 2013
Supersedes 03/01/07	

Table I

B/M No.	Rotation	Volute Case	Impeller	Impeller Diameter
B85486	CW	H00689	M11215	9.00"
B85490	CCW	H00698	M06852	9.00"



Item No.	Part Description	Part Number
1	Case, Volute	See Table I
2	Impeller	See Table I
6	Shaft (Not sold separately)	See Note 1
14	Sleeve, Shaft	M14869L
16	Bearing, Ball	S13270
18	Bearing, Ball	S13271
19	Frame	H04007
24	Locknut, Impeller (CW and CCW)	M10220
32A	Key, 1/4x2-1/8"	S24255
32B	Key, 3/16x1"	S34383
37	Outer Bearing Cap Assembly*	S19914
40	Slinger, Water	S12260
72	Ring, Thrust	S29218
73	Gasket, Volute	S05126
89	Seal, Mechanical Shaft	S32690

Item No.	Part Description	Part Number
800A	Capscrew, Hex 3/8-16x7/8" [6 Req.]	S26825
800B	Capscrew, Hex 3/8-16x1-1/8" [2 Req.]	S26827
810A	Plug, Pipe 1/4 NPT [4 Req.]	S23715
810B	Plug, Pipe 1/2 NPT	S23717
811	Fitting, Grease	S23670
816A	Ring, Retaining	S23010
816B	Ring, Retaining	S23009

**NOTE 1: Shaft Replacement Kit** available for this model. Berkeley part number **B85542** for CW, **B85543** for CCW. Pump Shaft sold in shaft replacement kit only.

\* Includes grease fitting and set screw.



# BERKELEY® B3ZRM

## Cast Iron Impeller

Threaded Case (NPT), Packing Construction

### BEARING FRAME MOUNT

Section	FM
Page	130.5
Date	March 4, 2013
Supersedes 07/01/11	

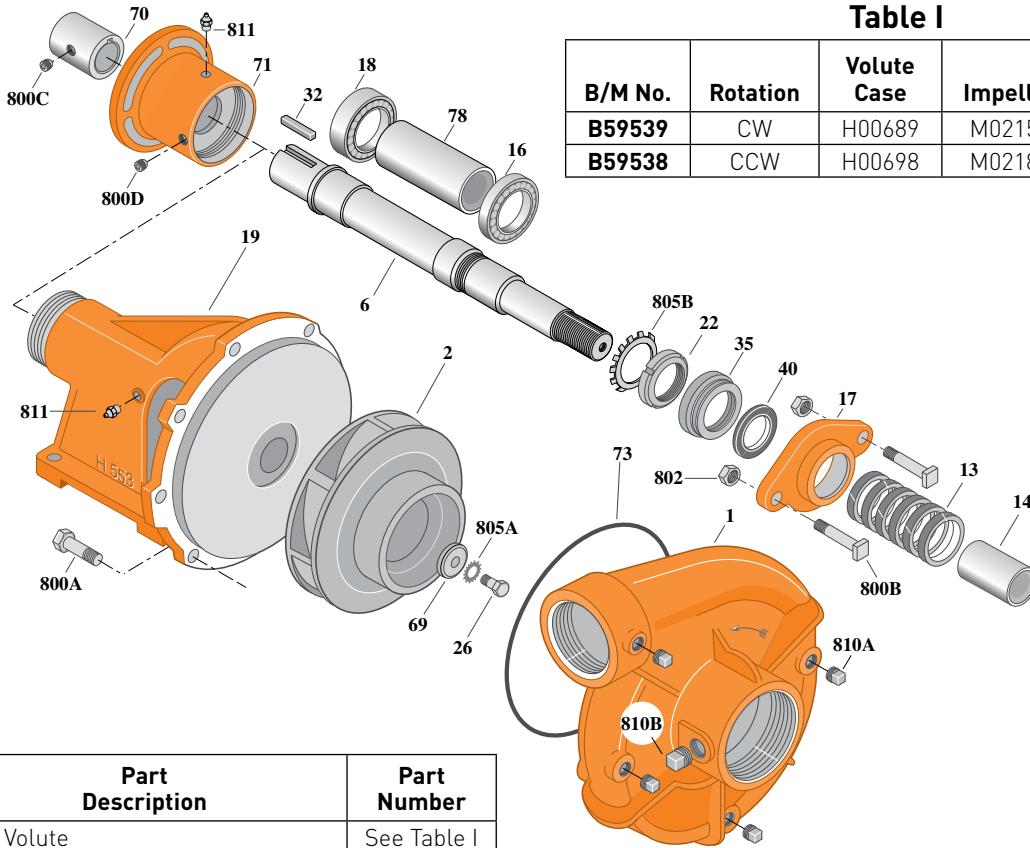


Table I

B/M No.	Rotation	Volute Case	Impeller	Impeller Diameter
B59539	CW	H00689	M02153	9.00"
B59538	CCW	H00698	M02181	9.00"

Item No.	Part Description	Part Number
1	Case, Volute	See Table I
2	Impeller	See Table I
6	Shaft (Not sold separately)	See Note 2
13	Ring, Packing (Set of 6)	S14022
14	Sleeve, Shaft	S05127L
16	Bearing, Ball	S13270
17	Gland, Packing (See Note 1)	S04948
18	Bearing, Ball	S13271
19	Frame	H00553
22	Locknut	M10221
26	Screw, Impeller 3/8-16x1"	S23566
32	Key, 1/4x1"	S24168
35	Inner Bearing Cap	S19033
40	Slinger, Water	S12260
69	Washer, Impeller	S06314
70	Coupling, Shaft	S30636
71	Bracket	L05720
73	O-Ring (See Note 3)	M14943
78	Sleeve, Spacer	S08980
800A	Capscrew, Hex 3/8-16x7/8" [8 Req.]	S26825
800B	Bolt, Sq. Head 3/8-16x2-1/2" [2 Req.]	S23762

Item No.	Part Description	Part Number
800C	Screw, Set	S23964
800D	Screw, Set [2 Req.]	S23965
802	Nut, Hex 3/8-16 [2 Req.]	S23343
805A	Washer, Lock	S23036
805B	Washer, Bearing Lock	S16181
810A	Plug, Pipe 1/4 NPT [4 Req.]	S23715
810B	Plug, Pipe 1/2 NPT	S23717
811	Fitting, Grease [3 Req.]	S23670

**NOTE 1:** A two piece (split) stainless steel packing gland is available for replacement, order part number **B82468**.

**NOTE 2: Shaft Replacement Kit** available for this model. Berkeley part number **B62436** for CW, **B62452** for CCW. Pump Shaft sold in shaft replacement kit only.

**NOTE 3:** Also accepts gasket **S05126** as replacement for O-Ring. See **Supplement E** located at the beginning of this section.



# BERKELEY® B3ZRM

## Cast Iron Impeller

Threaded Case (NPT), Packing Construction

### BEARING FRAME MOUNT

Section	FM
Page	130.5.1
Date	March 4, 2013
Supersedes 03/01/07	

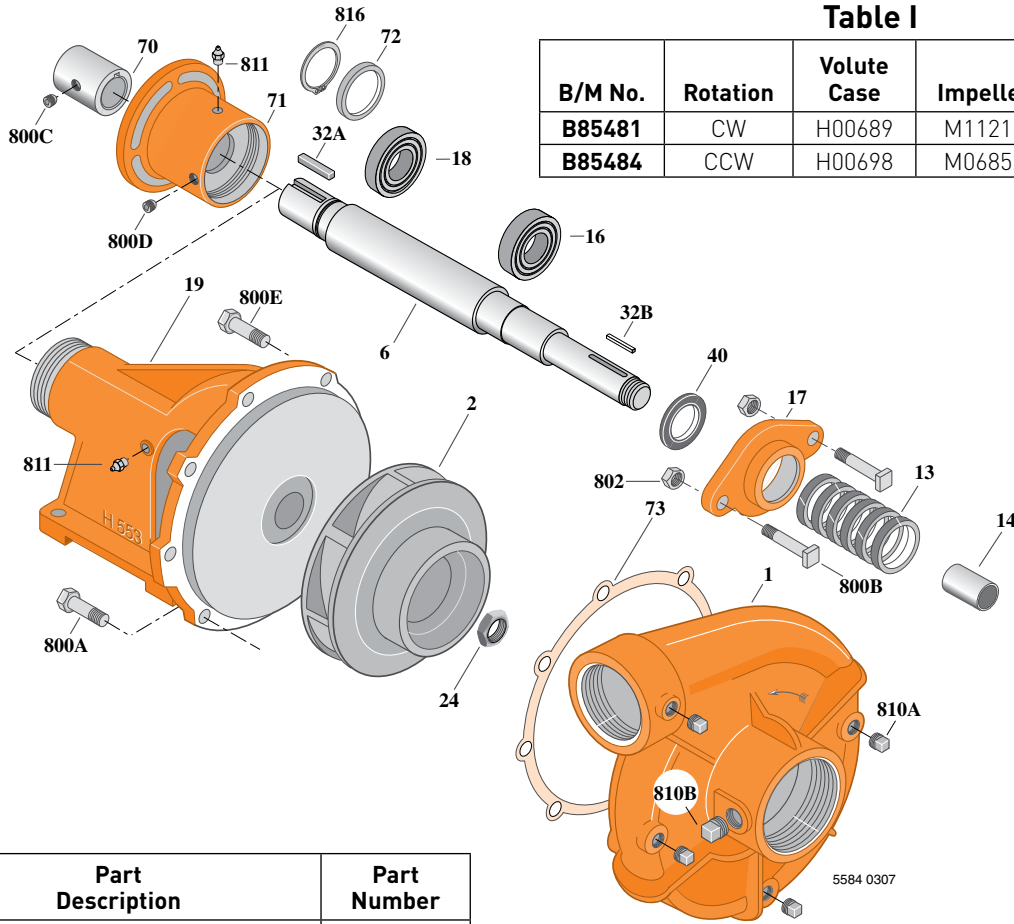


Table I

B/M No.	Rotation	Volute Case	Impeller	Impeller Diameter
<b>B85481</b>	CW	H00689	M11215	9.00"
<b>B85484</b>	CCW	H00698	M06852	9.00"

Item No.	Part Description	Part Number
1	Case, Volute	See Table I
2	Impeller	See Table I
6	Shaft (Not sold separately)	See Note 2
13	Ring, Packing (Set of 6)	S14022
14	Sleeve, Shaft	S05127
16	Bearing, Ball	S13270
17	Gland, Packing (See Note 1)	S04948
18	Bearing, Ball	S13271
19	Frame	H00553
22	Locknut	M10221
26	Screw, Impeller 3/8-16x1"	S23566
32A	Key, 1/4x1"	S24168
32B	Key, 3/16x1"	S34383
40	Slinger, Water	S12260
70	Coupling, Shaft	S30636
71	Bracket	L05720
72	Ring, Thrust	S29218
73	Gasket, Volute	S05126

Item No.	Part Description	Part Number
800A	Capscrew, Hex 3/8-16x7/8" (6 Req.)	S26825
800B	Bolt, Sq. Head 3/8-16x2-1/2" (2 Req.)	S23762
800C	Screw, Set	S23964
800D	Screw, Set (2 Req.)	S23965
800E	Capscrew, Hex 3/8-16x1-1/8" (2 Req.)	S26827
802	Nut, Hex 3/8-16 (2 Req.)	S23343
810A	Plug, Pipe 1/4 NPT (4 Req.)	S23715
810B	Plug, Pipe 1/2 NPT	S23717
811	Fitting, Grease (3 Req.)	S23670
816	Retaining Ring	S23010

**NOTE 1:** A two piece (split) bronze packing gland is available for replacement, order part number **B82468**.

**NOTE 2: Shaft Replacement Kit** available for this model. Berkeley part number **B85541** for CW and CCW. Pump Shaft sold in shaft replacement kit only.



# BERKELEY® B3ZRM

## Cast Iron Impeller

Flanged Case, Packing Construction

### BEARING FRAME MOUNT

Section	FM
Page	130.6
Date	March 4, 2013
Supersedes 07/01/11	

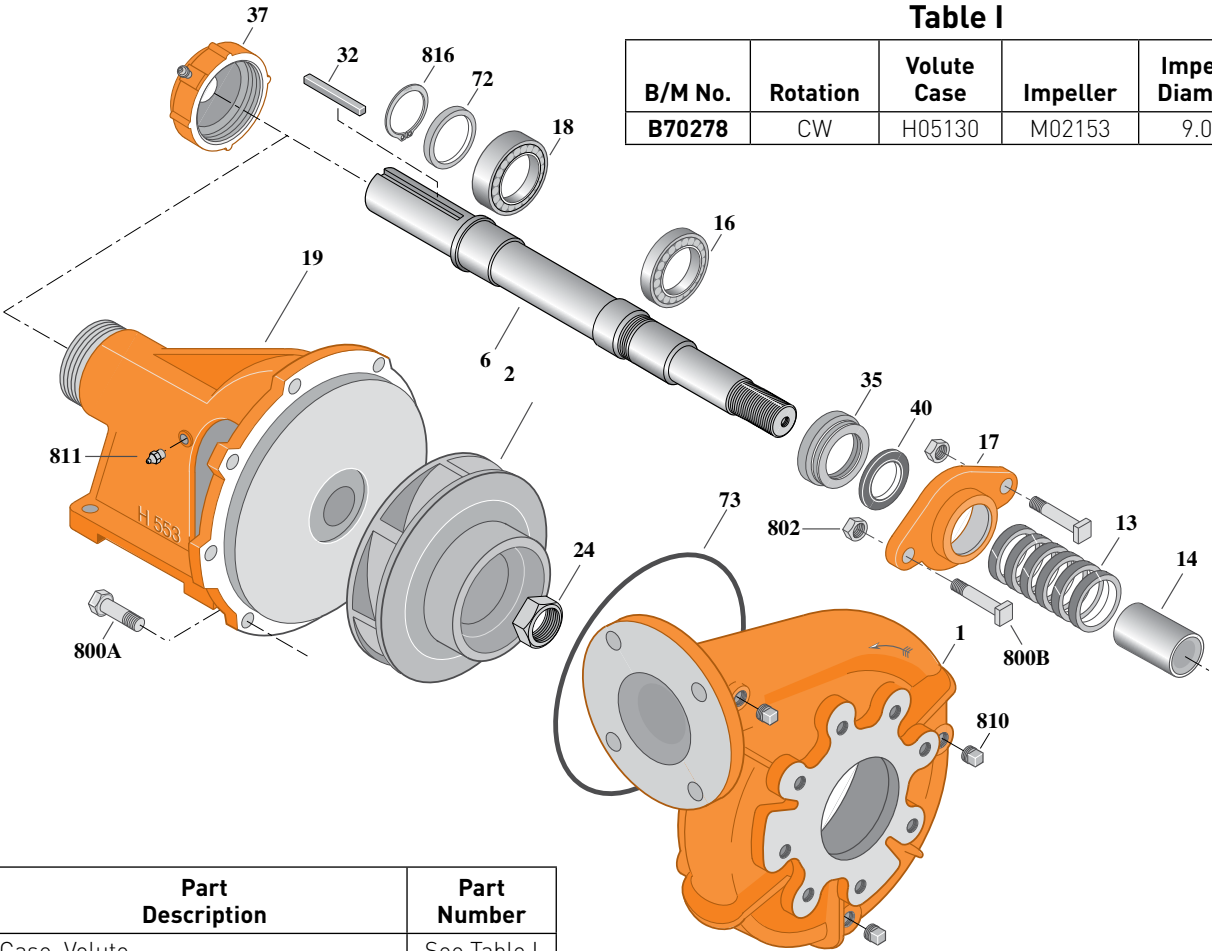


Table I

B/M No.	Rotation	Volute Case	Impeller	Impeller Diameter
B70278	CW	H05130	M02153	9.00"

Item No.	Part Description	Part Number
1	Case, Volute	See Table I
2	Impeller	See Table I
6	Shaft (Not sold separately)	See Note 2
13	Ring, Packing (Set of 6)	S14022
14	Sleeve, Shaft	S05127L
16	Bearing, Ball	S13270
17	Gland, Packing (See Note 1)	S04948
18	Bearing, Ball	S13271
19	Frame	H00553
24	Locknut, Impeller	M10220
32	Key, 1/4x2-1/8"	S24255
35	Inner Bearing Cap	S19033
37	Outer Bearing Cap Assembly*	S19914
40	Slinger, Water	S12260
72	Ring, Thrust	S29218
73	O-Ring (See Note 3)	M14943

Item No.	Part Description	Part Number
800A	Capscrew, Hex 3/8-16x1" (8 Req.)	S26826
800B	Bolt, Sq. Head 3/8-16x2-1/2" (2 Req.)	S23762
802	Nut, Hex 3/8-16 (2 Req.)	S23343
811	Fitting, Grease	S23670
816	Ring, Retaining	S23010

**NOTE 1:** A two piece (split) stainless steel packing gland is available for replacement, order part number **B82468**.

**NOTE 2:** **Shaft Replacement Kit** available for this model. Berkeley part number **B80698**. Pump Shaft sold in shaft replacement kit only.

**NOTE 3:** Also accepts gasket **S05126** as replacement for O-Ring. See **Supplement E** located at the beginning of this section.

\* Includes grease fitting and set screw.



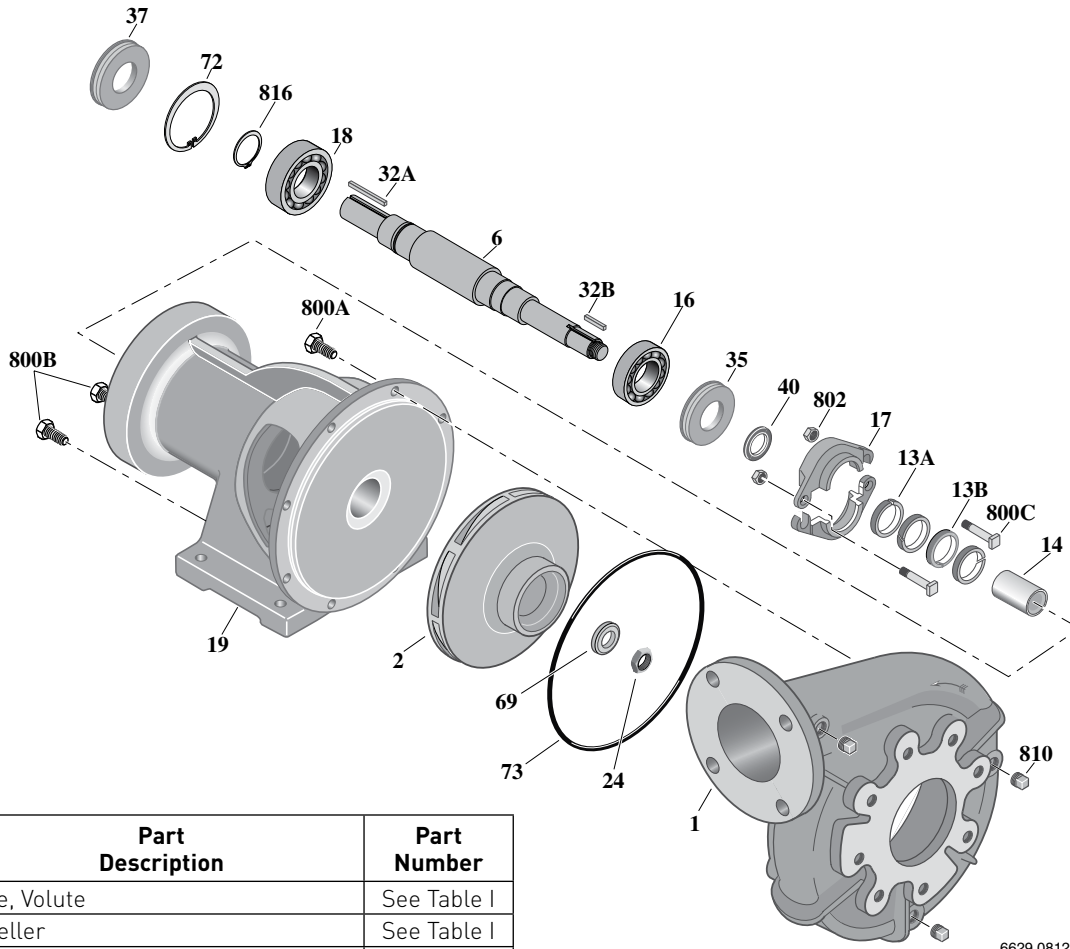
# BERKELEY® B3ZRM

## Cast Iron Impeller

Flanged Case, Packing Construction

### BEARING FRAME MOUNT

Section	FM
Page	130.6.1
Date	March 4, 2013
Supersedes 09/21/12	



Item No.	Part Description	Part Number
1	Case, Volute	See Table I
2	Impeller	See Table I
6	Shaft	See Note 1
13A	Ring, Packing (3 Req.)	S08291
13B	Ring, Packing, Metallic	S11092
14	Sleeve, Shaft	M14993
16	Bearing, Ball	M14998
17	Gland, Packing	B82470
18	Bearing, Ball	M14999
19	Bearing Frame (Bracket)	M14995
24	Locknut, Impeller	M10220
32A	Key, 3/8"x3/8"x1-3/8" Long	M15001
32B	Key, 1/4x1/4"	S23505
35	Inner Bearing Cap	M14997
37	Outer Bearing Cap Assembly*	M14996
40	Slinger, Water	S10964
69	Washer, Lock	M14990

\* Includes grease fitting and set screw.

Item No.	Part Description	Part Number
72	Ring, Thrust	S23025
73	O-Ring	M14943
800A	Capscrew, Hex 3/8-16x7/8" (6 Req.)	S26825
800B	Bolt, Sq. Head 3/8-16x1-1/8" (2 Req.)	S26827
800C	Bolt, Sq. Head 3/8-16x2-1/2" (2 Req.)	S23762
802	Nut, Hex 3/8-16 (2 Req.)	S23343
810	Plug, Pipe 1/4 NPT	See Table I
816	Ring, Retaining	M15000

**NOTE 1: Shaft Replacement Kit** available for this model: Berkeley part number **B85585**. Pump Shaft included in shaft replacement kit. Shaft not sold separately.



**BERKELEY® B3ZRM**

## Cast Iron Impeller

Flanged Case, Packing Construction

## BEARING FRAME MOUNT

Section	FM
Page	130.6.2
Date	March 4, 2013
Supersedes 09/21/12	

**TABLE 1-B3ZRM Series**

Catalog Number	Rotation	Connection	Volute	Impeller	Pipe Plugs	
					Part Number	Quantity
<b>B85578</b>	CCW	NPT	H00698	M14989	S23715	4
<b>B85579</b>	CW	NPT	H00689	M14994	S23715	4
					U78-59ZPS	1
<b>B85580</b>	CW	Flanged	H05130	M14994	S23715	3
<b>B85581</b>	CW	Victaulic	H04040	M14994	S23715	3
<b>B85582</b>	CCW	Victaulic	H04041	M14989	S23715	3

# BERKELEY® B3ZRM

## Cast Iron Impeller

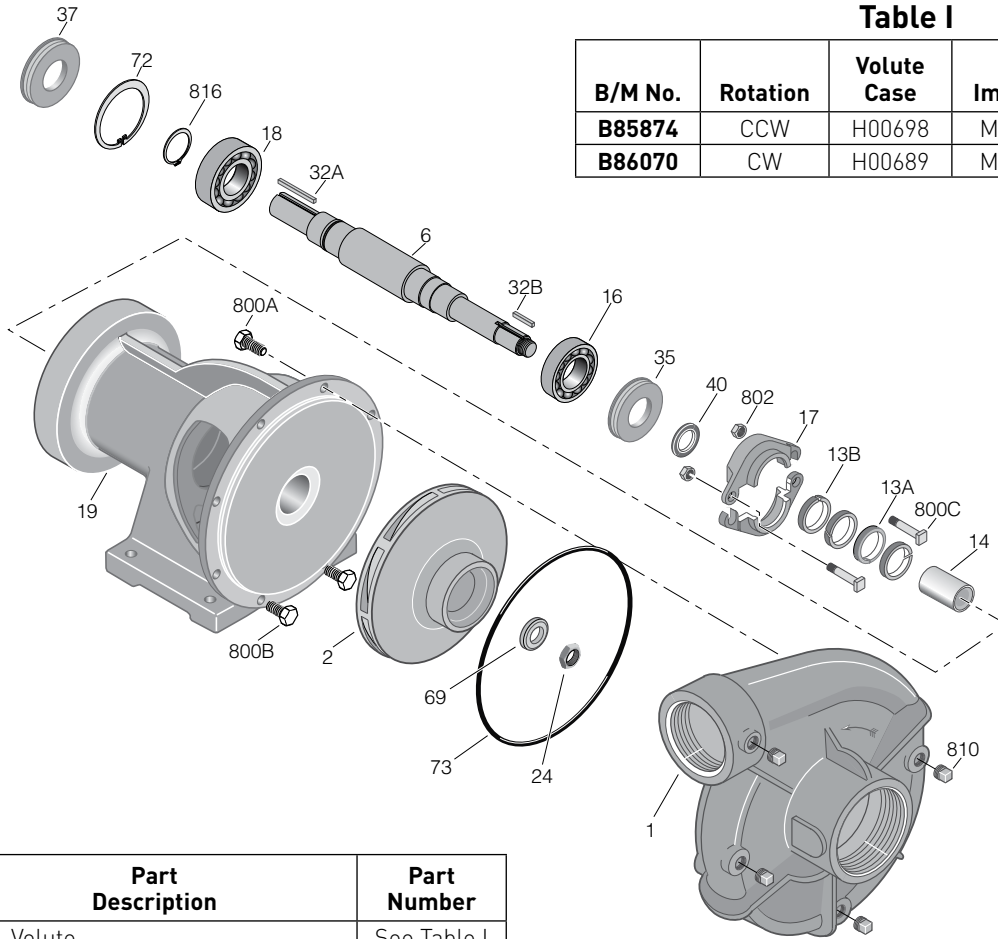
Threaded Case (NPT), Packing Construction

### BEARING FRAME MOUNT

Section	FM
Page	130.6.3
Date	March 4, 2013
Supersedes 09/21/12	

**Table I**

B/M No.	Rotation	Volute Case	Impeller	Impeller Diameter
<b>B85874</b>	CCW	H00698	M14989	9.00"
<b>B86070</b>	CW	H00689	M14994	9.00"



5790 0711

Item No.	Part Description	Part Number
1	Case, Volute	See Table I
2	Impeller	See Table I
6	Shaft	See Note 1
13A	Ring, Packing [3 Req.]	S08291
13B	Ring, Packing, Metallic	S11092
14	Sleeve, Shaft	M14993
16	Bearing, Ball	M14998
17	Gland, Packing	B82470
18	Bearing, Ball	M14999
19	Bearing Frame [Bracket]	M15690
24	Locknut, Impeller [CCW]	U36-189SS
24	Locknut, Impeller [CW]	M10220
32A	Key, 3/8"x3/8"x1-3/8"	M15001
32B	Key, 1/4x1/4"	S23505
35	Inner Bearing Cap	M14997
37	Outer Bearing Cap	M14996
40	Slinger, Water	S10964
69	Washer, Lock	M14990

Item No.	Part Description	Part Number
72	Ring, Thrust	S23025
73	O-Ring	M14943
800A	Capscrew, Hex 3/8-16x7/8" [6 Req.]	S26825
800B	Bolt, Sq. Head 3/8-16x1-1/8" [2 Req.]	S26827
800C	Bolt, Sq. Head 3/8-16x2-1/2" [2 Req.]	S23762
802	Nut, Hex 3/8-16 [2 Req.]	S23343
810	Plug, Pipe 1/4 NPT [3 Req.]	S23715
816	Ring, Retaining	M15000

**NOTE 1: Shaft Replacement Kit** available for this model. Berkeley part number **B85916** for CCW, **B85585** for CW. Pump Shaft sold in shaft replacement kit only.



# BERKELEY® B3ZRMS

## Cast Iron Impeller

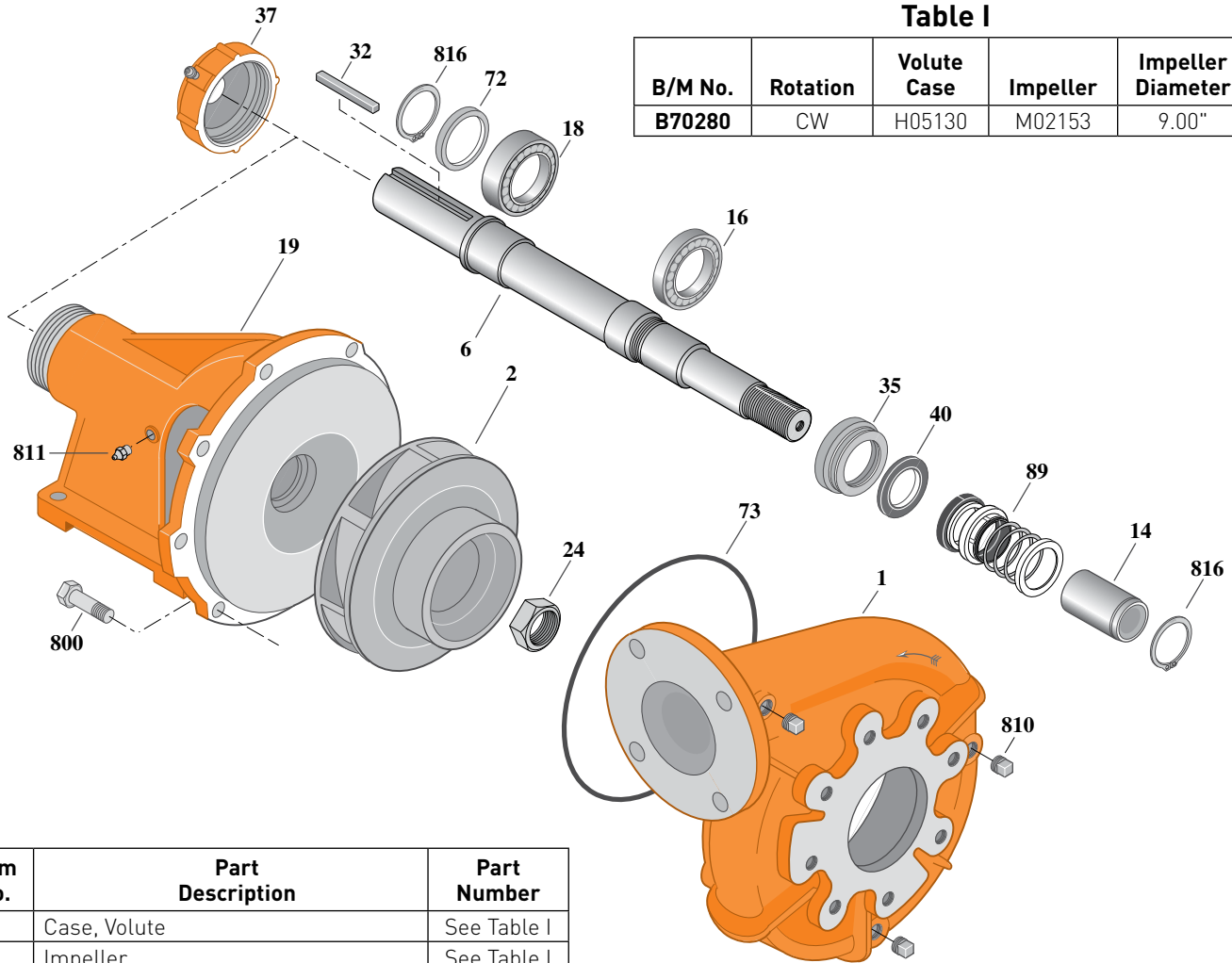
Flanged Case, Mechanical Seal Construction

### BEARING FRAME MOUNT

Section	FM
Page	130.7
Date	March 4, 2013
Supersedes 07/01/11	

Table I

B/M No.	Rotation	Volute Case	Impeller	Impeller Diameter
B70280	CW	H05130	M02153	9.00"



Item No.	Part Description	Part Number
1	Case, Volute	See Table I
2	Impeller	See Table I
6	Shaft (Not sold separately)	See Note 1
14	Sleeve, Shaft	S39242L
16	Bearing, Ball	S13270
18	Bearing, Ball	S13271
19	Frame	H04007
24	Locknut, Impeller	M10220
32	Key, 1/4x21-1/8"	S24255
35	Inner Bearing Cap	S19033
37	Outer Bearing Cap Assembly*	S19914
40	Slinger, Water	S12260
72	Ring, Thrust	S29218
73	O-Ring [See Note 2]	M14943
89	Seal, Mechanical Shaft	S32690

Item No.	Part Description	Part Number
800	Capscrew, Hex 3/8-16x1" (8 Req.)	S26826
810	Plug, Pipe 1/4 NPT (3 Req.)	S23715
811	Fitting, Grease	S23670
816	Ring, Retaining	S23009
816	Ring, Retaining	S23010

**NOTE 1: Shaft Replacement Kit** available for this model. Berkeley part number **B80699**. Pump Shaft sold in shaft replacement kit only.

**NOTE 2:** Also accepts gasket **S05126** as replacement for O-Ring. See **Supplement E** located at the beginning of this section.

\* Includes grease fitting and set screw.



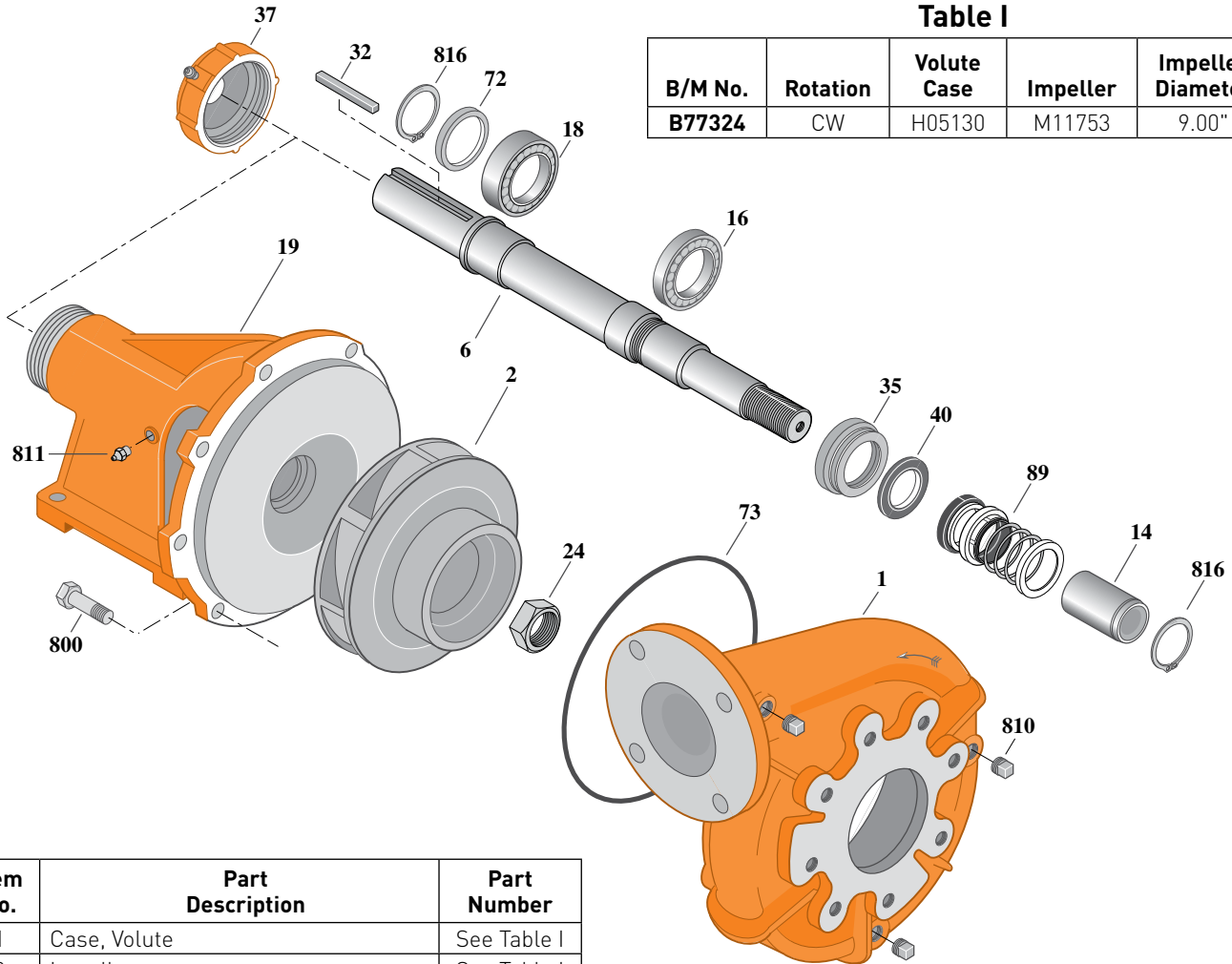
# BERKELEY® B3ZRMS

## Cast Iron Impeller

Flanged Case, Mechanical Shaft Seal Construction

### BEARING FRAME MOUNT

Section	FM
Page	130.7.1
Date	March 4, 2013
Supersedes 07/01/11	



**Table I**

B/M No.	Rotation	Volute Case	Impeller	Impeller Diameter
<b>B77324</b>	CW	H05130	M11753	9.00"

Item No.	Part Description	Part Number
1	Case, Volute	See Table I
2	Impeller	See Table I
6	Shaft (Not sold separately)	See Note 1
14	Sleeve, Shaft	S39242L
16	Bearing, Ball	S13270
18	Bearing, Ball	S13271
19	Frame	H04007
24	Locknut, Impeller	M10220
32	Key, 1/4x21-1/8"	S24255
35	Inner Bearing Cap	S19033
37	Outer Bearing Cap Assembly*	S19914
40	Slinger, Water	S12260
72	Ring, Thrust	S29218
73	O-Ring [See Note 2]	M14943
89	Seal, Mechanical Shaft	S32690

Item No.	Part Description	Part Number
800	Capscrew, Hex 3/8-16x1" (8 Req.)	S26826
810	Plug, Pipe 1/4 NPT (3 Req.)	S23715
811	Fitting, Grease	S23670
816	Ring, Retaining	S23009
816	Ring, Retaining	S23010

**NOTE 1: Shaft Replacement Kit** available for this model. Berkeley part number **B80699**. Pump Shaft sold in shaft replacement kit only.

**NOTE 2:** Also accepts gasket **S05126** as replacement for O-Ring. See **Supplement E** located at the beginning of this section.

\* Includes grease fitting and set screw.



# BERKELEY® B3ZRMS

## Bronze Impeller

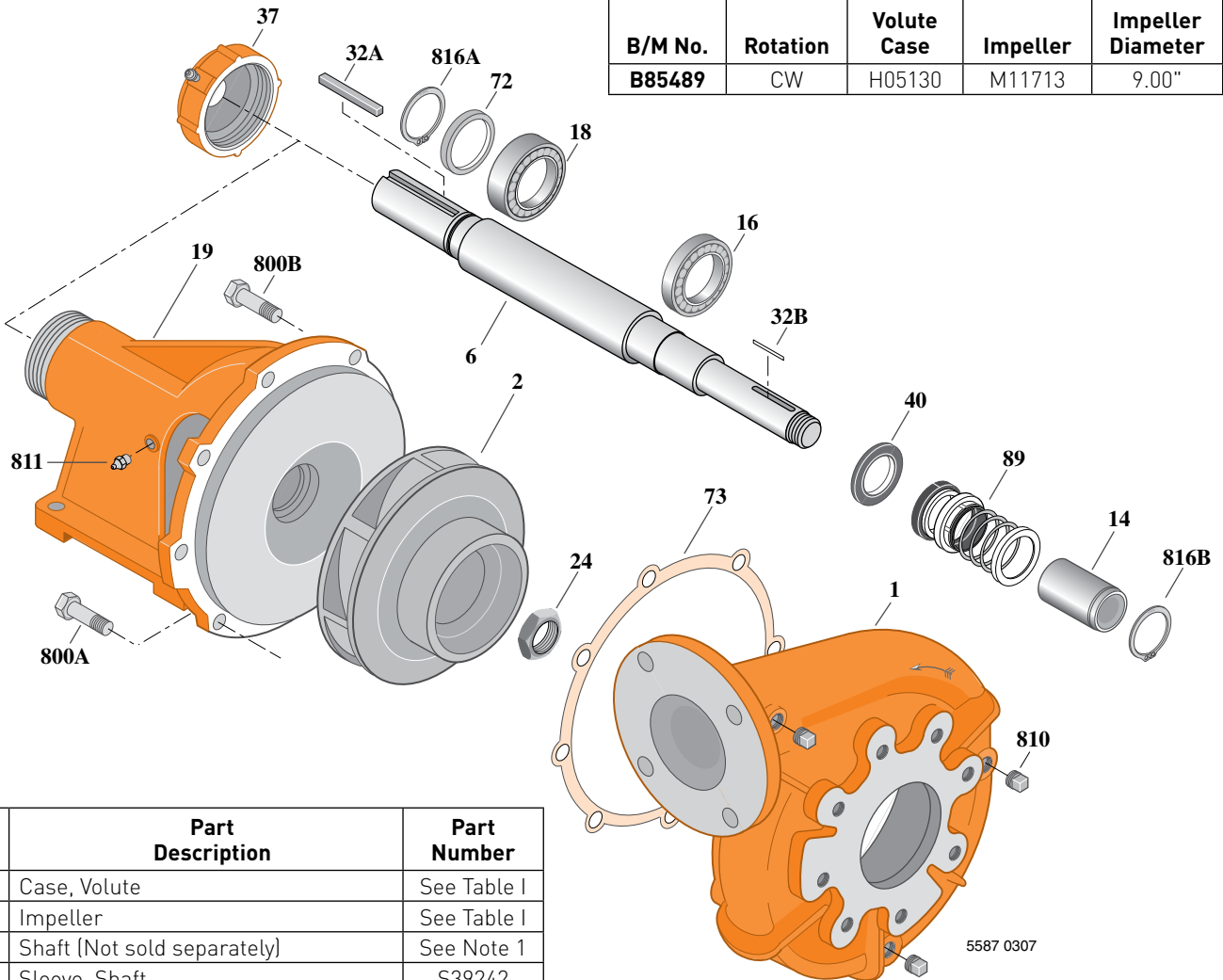
Flanged Case, Mechanical Seal Construction

### BEARING FRAME MOUNT

Section	FM
Page	130.7.1.1
Date	March 4, 2013
Supersedes 03/01/07	

**Table I**

B/M No.	Rotation	Volute Case	Impeller	Impeller Diameter
<b>B85489</b>	CW	H05130	M11713	9.00"



Item No.	Part Description	Part Number
1	Case, Volute	See Table I
2	Impeller	See Table I
6	Shaft (Not sold separately)	See Note 1
14	Sleeve, Shaft	S39242
16	Bearing, Ball	S13270
18	Bearing, Ball	S13271
19	Frame	H04007
24	Locknut, Impeller	M10220
32A	Key, 1/4x2-1/8"	S24255
32B	Key, 3/16x1"	S34383
37	Outer Bearing Cap Assembly*	S19914
40	Slinger, Water	S12260
72	Ring, Thrust	S29218
73	Gasket, Volute	S05126
89	Seal, Mechanical Shaft	S32690

Item No.	Part Description	Part Number
800A	Capscrew, Hex 3/8-16x7/8" [6 Req.]	S26825
800C	Capscrew, Hex 3/8-16x1-1/8" [2 Req.]	S26827
810	Plug, Pipe 1/4 NPT [3 Req.]	S23715
811	Fitting, Grease	S23670
816A	Ring, Retaining	S23010
816B	Ring, Retaining	S23009

**NOTE 1: Shaft Replacement Kit** available for this model. Berkeley part number **B85542**. Pump Shaft sold in shaft replacement kit only.

\* Includes grease fitting and set screw.



# BERKELEY® B3ZRMS

## Cast Iron Impeller

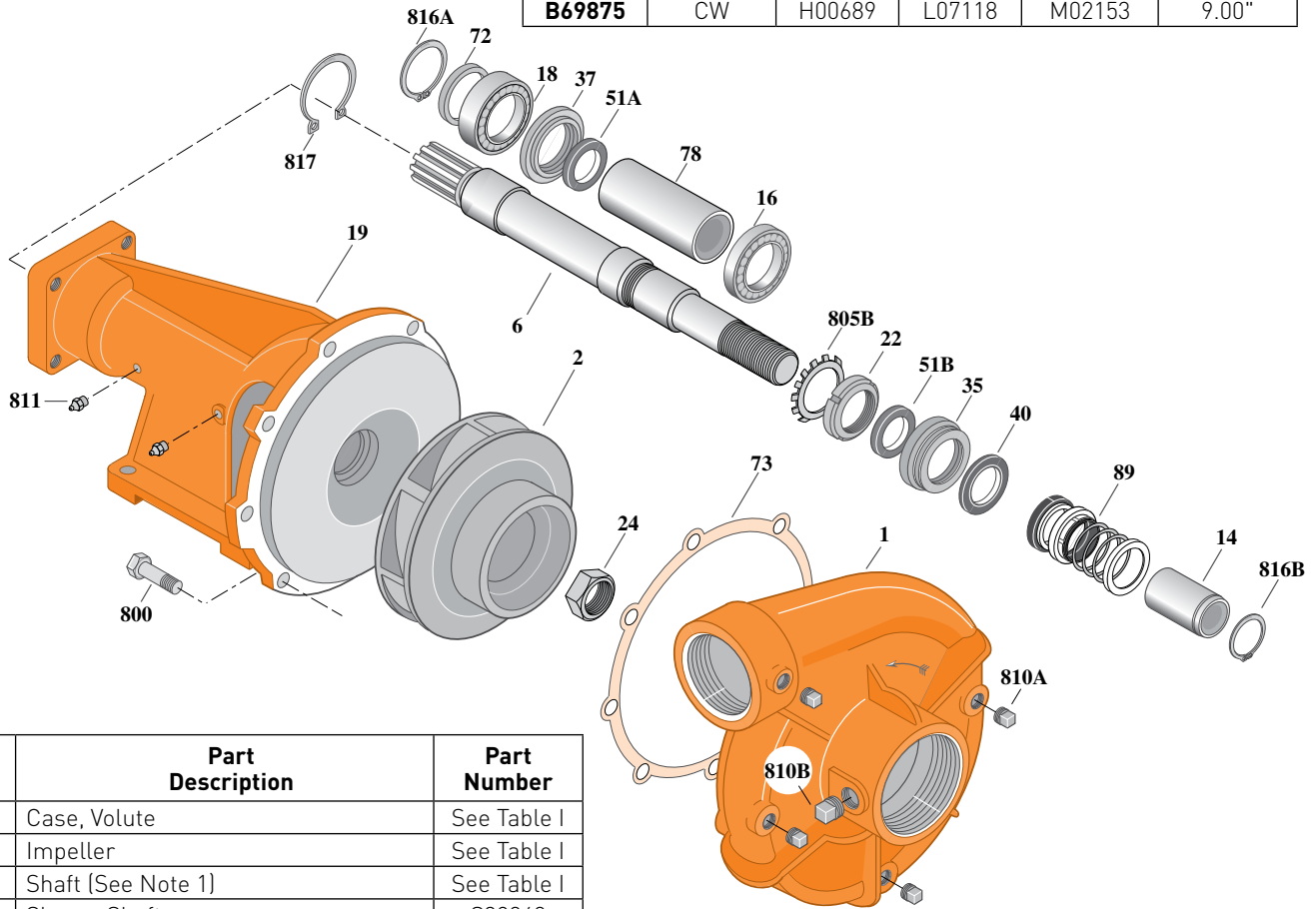
Threaded Case (NPT), Mechanical Seal Construction

### BEARING FRAME MOUNT

Section	FM
Page	130.7M
Date	March 4, 2013
Supersedes 01/01/04	

**Table I**

B/M No.	Rotation	Volute Case	Shaft No.	Impeller	Impeller Diameter
<b>B69875</b>	CW	H00689	L07118	M02153	9.00"



Item No.	Part Description	Part Number
1	Case, Volute	See Table I
2	Impeller	See Table I
6	Shaft [See Note 1]	See Table I
14	Sleeve, Shaft	S39242
16	Bearing, Ball	S13270
18	Bearing, Ball	M10218
19	Frame	H05119
22	Locknut	M10221
24	Locknut, Impeller	M10220
35	Inner Bearing Cap	M10213
37	Outer Bearing Cap	M10214
40	Slinger, Water	S12260
51A	Seal, Oil	M10217
51B	Seal, Oil	M10216
78	Sleeve, Spacer	M10215
72	Washer, Thrust	M10222
73	Gasket, Volute	S05126
89	Seal, Mechanical Shaft	S32690

1999 0995

Item No.	Part Description	Part Number
800	Capscrew, Hex 3/8-16x1" (8 Req.)	S26826
805B	Washer, Lock	S16181
810A	Plug, Pipe 1/4 NPT (4 Req.)	S23715
810B	Plug, Pipe 1/2 NPT	S23717
811	Fitting, Grease (2 Req.)	S23670
816A	Ring, Retaining	S23010
816B	Ring, Retaining	S23009
817	Ring, Retaining	S23023

**NOTE 1: Shaft Replacement Kit** is not available for this model. Order Replacement Shaft and associated components from above listing.





## BERKELEY® B3ZRM(S)

## BEARING FRAME MOUNT

Section	FM
Page	130.9
Date	March 4, 2013
Supersedes 01/01/04	

## B3ZRM(S) Series

Pump Series	Catalog Number	Rotation	Style	Volute	Pipe Plugs	Impeller	Impeller Material	Replacement Shaft
<b>B3ZRM Packing Construction</b>	B80302	CW	4" NPT Suction 3" NPT Discharge	H00689	4-S23715 1-S23717	M02911	Cast Iron	B81663
	B80307	CW		H00698		H05479	Bronze	B81663
	B80303	CCW				M12462	Cast Iron	B81663
	B80301	CW	Suction Flange 4x9" B74303 Discharge Flange 3x7-1/2" B60129	H00689	4-S23715 1-S23717	M02911	Cast Iron	B81663
	B80306	CW				H05479	Bronze	B81663
	B80304	CW	4" NPT Victaulic 3" NPT Victaulic	H04040	3-S23715	M02911	Cast Iron	B81663
	B80305	CCW		H04041		M12462	Cast Iron	B81663
	B80308	CW		H04040		H05479	Bronze	B81663
<b>B3ZRMS Mechanical Seal</b>	B80310	CW	4" NPT Suction 3" NPT Discharge	H00689	4-S23715 1-S23717	M02911	Cast Iron	B81663
	B80315	CW				H05479	Bronze	B81663
	B80311	CCW		H00698		M12462	Cast Iron	B81663
	B80309	CW	Suction Flange 4x9" B74303 Discharge Flange 3x7-1/2" B60129	H00689	4-S23715 1-S23717	M02911	Cast Iron	B81663
	B80314	CW				H05479	Bronze	B81663
	B80312	CW	4" NPT Victaulic 3" NPT Victaulic	H04040	3-S23715	M02911	Cast Iron	B81663
	B80313	CCW		H04041		M12462	Cast Iron	B81663
	B80316	CW		H04040		H05479	Bronze	B81663

Order Online: [www.PumpCatalog.com](http://www.PumpCatalog.com)

