



# TYPE "B" SINGLE STAGE CENTRIFUGAL PUMP SAE Engine Mount

Section	SAE
Page	250.1
Date	January 1, 2004
Supersedes 12/1/95	

## CAST IRON IMPELLER

## B8GQBM

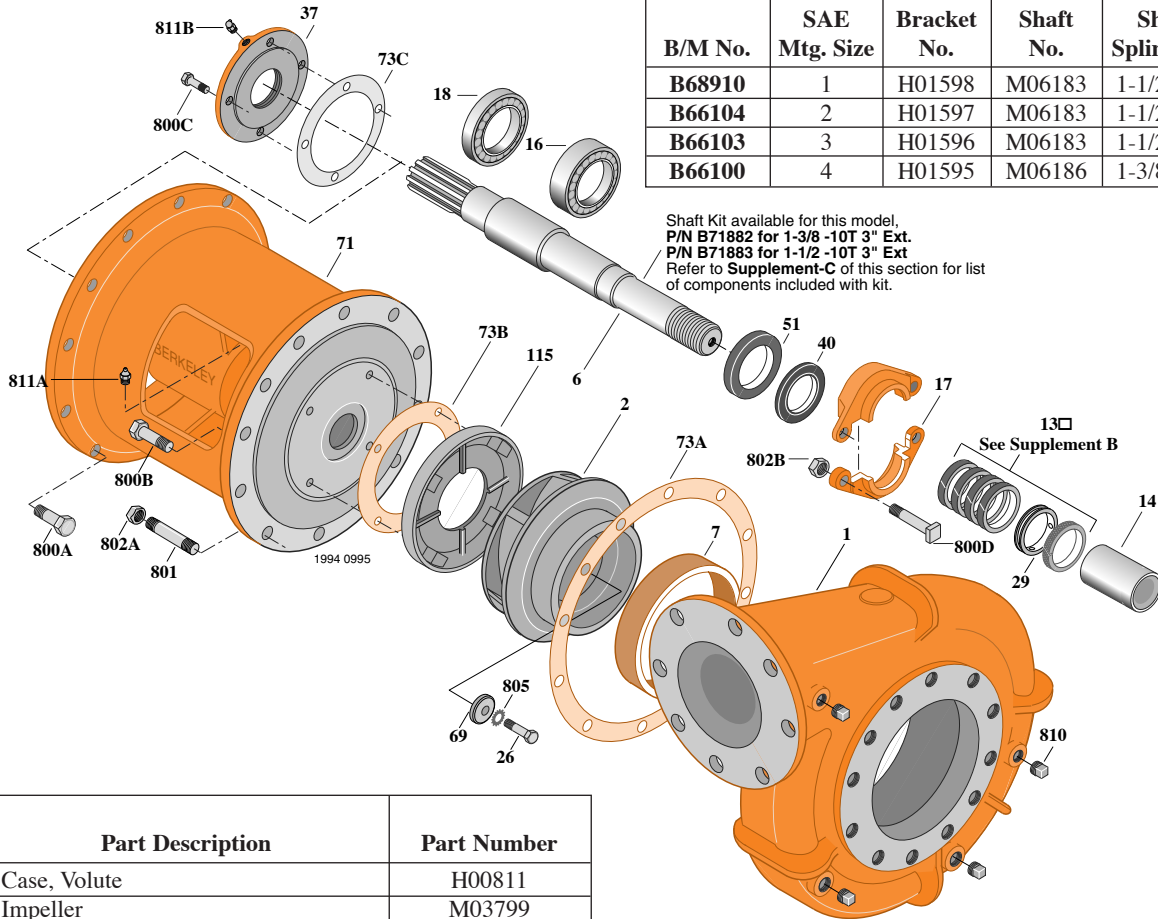
### Flanged Case

### Packing Construction

TABLE I

B/M No.	SAE Mtg. Size	Bracket No.	Shaft No.	Shaft Spline No.	Shaft Ext.
B68910	1	H01598	M06183	1-1/2-10T	3"
B66104	2	H01597	M06183	1-1/2-10T	3"
B66103	3	H01596	M06183	1-1/2-10T	3"
B66100	4	H01595	M06186	1-3/8-10T	3"

Shaft Kit available for this model,  
P/N B71882 for 1-3/8 -10T 3" Ext.  
P/N B71883 for 1-1/2 -10T 3" Ext  
Refer to Supplement-C of this section for list  
of components included with kit.



Item No.	Part Description	Part Number
1	Case, Volute	H00811
2	Impeller	M03799
6	Shaft (See Note)	See Table I
7	Ring, Wearing	S05973
13	Ring, Packing (Set of 4)	S13436
14	Sleeve, Shaft	S05974
16	Bearing, Ball	S13396
17	Gland, Packing	B82472
18	Bearing, Ball	S13395
26	Screw, Impeller 1/2-13x3"	S23631
29	Ring, Lantern	S18993
37	Outer Bearing Cap	M04998
40	Slinger, Water	S10964
51	Seal, Oil	S14765
69	Washer, Impeller	S06319
71	Bracket	See Table I
73A	Gasket, Volute	S06271
73B	Gasket, Balance Ring	S09943
73C	Gasket	S18055
115	Ring, Balance	S12335

Item No.	Part Description	Part Number
800A	Capscrew, Hex 3/8-16x1-1/4" (12 Req. - SAE 1)	S26872
800A	Capscrew, Hex 3/8-16x1-1/4" (12 Req. - SAE 2)	S26828
800B	Capscrew, Hex 3/8-16x1" (4 Req.)	S26826
800C	Capscrew, Hex 1/4-20x3/4" (4 Req.)	S23119
800D	Bolt, Sq. Head 1/2-13x2-3/4" (2 Req.)	S23794
801	Stud, 5/8-11x2-1/4" (12 Req.)	S24601
802A	Nut, Hex 5/8-11 (12 Req.)	S23109
802B	Nut, Hex 1/2-13x7/16" (2 Req.)	S23347
805	Washer, Lock	S23038
810	Plug, Pipe 1/2 NPT (5 Req.)	S23717
811A	Fitting, Grease Drive Type	S23670
811B	Fitting, Grease	S23702
•	Fitting, Grease	S23700

• Not illustrated.



# Type "B" Single Stage Centrifugal Pump SAE Engine Mount

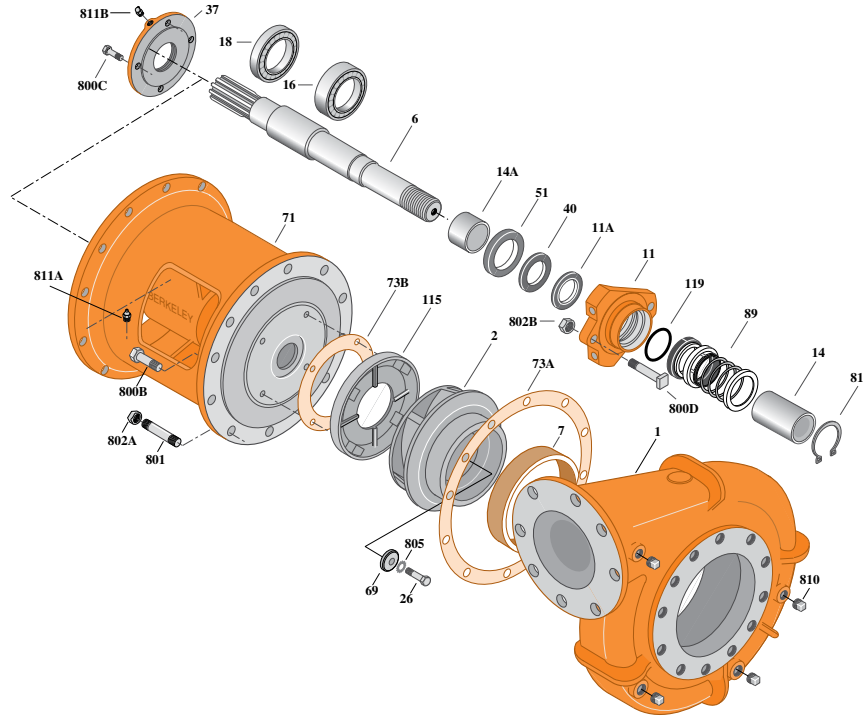
Section	SAE
Page	250.2
Date	January 1, 2012
	New

## CAST IRON IMPELLER

## B8GQBMS

### Flanged Case

### Mechanical Shaft Seal Construction



Ref.	Part Description	Part Number
1	Case, Volute	M15093
2	Impeller	M03799
6	Shaft	See Table 1
7	Ring, Wearing	S05973
11	Retainer, Mechanical Shaft Seal, Dry Run	M14959
11A	Dry run Gland Lip Seal	M12337
14	Sleeve, Shaft	S33429L
14A	Sleeve, Shaft	M14971
16	Bearing, Ball	S13396
18	Bearing, Ball	S13395
26	Screw, Impeller 1/2-13x1-1/2"	S23631
37	Outer Bearing Cap Assembly	M04998
40	Water Slinger	S10964
51	Seal, Oil	S14765
69	Washer, Impeller	S06319
71	Bracket	See Table 1
73A	Gasket, Volute	S06271
73B	Gasket, Balance Ring	S09943
89	Seal, Mechanical Shaft	S32693
115	Ring, Balance	S12335
119	O-Ring	M14972
800B	Capscrew, Hex 3/8-16x1" (4 Rqd.)	S26826
800C	Capscrew, Hex 1/4-2x3/4" (4 Rqd.)	S23119
800D	Bolt, Sq. Head 1/2-13x2-3/4" (2 Rqd.)	S23794

Ref.	Part Description	Part Number
801	Stud 5/8-11NC X 2-1/4 LG (10 Rqd.)	S24061
801	Stud 5/8-11NC X 2-1/2 LG (2 Rqd.) top ctr	S24062
802A	Nut, Hex 5/8-11 STL (12 Rqd)	S23109
802B	Nut, Hex 1/2-13 (2 Rqd.)	S23347
805	Washer, Lock	S23038
810	Plug, Pipe 1/2 NPT (4 Rqd.)	S23717
811A	Fitting, Grease	S23670
811B	Fitting, Grease	S23702
816	Ring, Retaining	S29341

**Table I**

B/M No.	SAE Mtg. Size	Bracket No.	Shaft No.	Shaft Spline No.	Shaft Ext.
B68910D	1	M14968	M06183	1-1/2-10T	3"
B66104D	2	M14967			
B66103D	3	M14966			
B78723D	4	M14965			

**NOTE 1:** Shaft Replacement Kit is available for this model. Berkeley part number B71894. Pump shaft sold in replacement kit only. Refer to Supplement "C" for shaft kit components.

**NOTE 2:** Refer to Supplement "F" for dry run tank repair parts. Dry run lubrication system requires one gallon of food grade hydraulic oil (FGHO), viscosity 150 SSU at 100 °F. Oil not supplied, purchase locally.