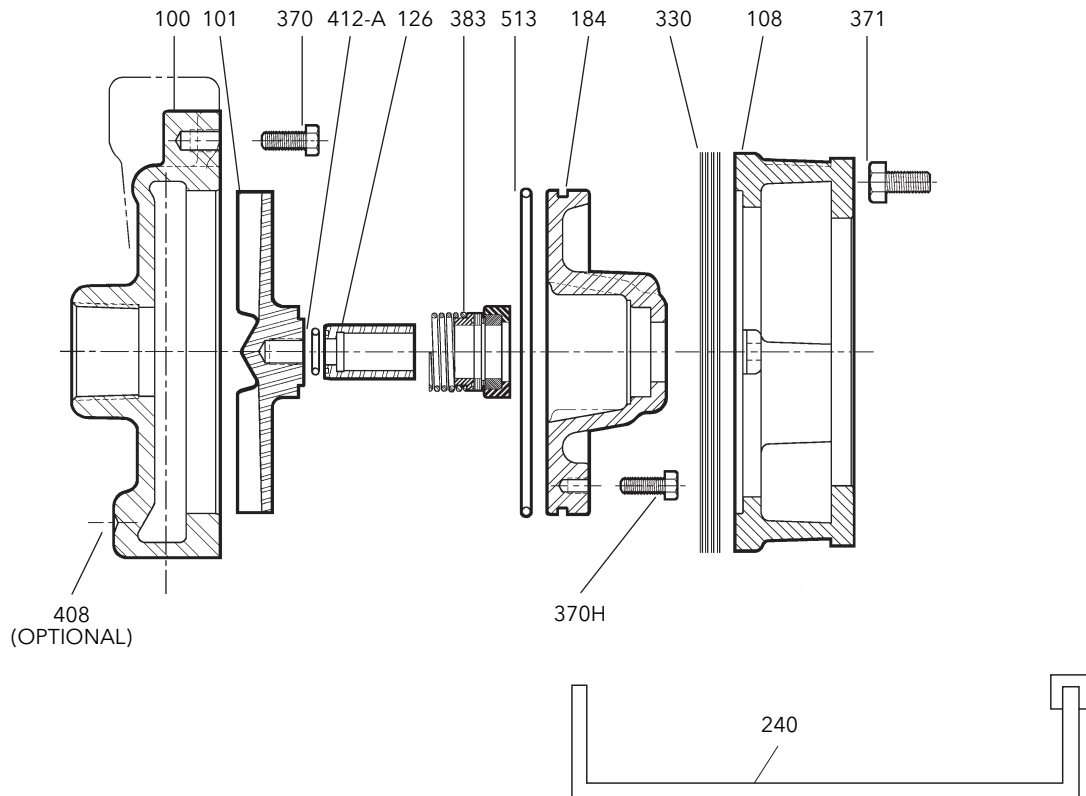


# ICS/ICS-F REPAIR PARTS



For XS-Group power frame individual parts, see XS-Group power frame repair parts page.



Replacement Parts Listing			Part Order No.	
Item No.	Description	Materials of Construction	1 SS	2 SS
			1 x 1¼ - 5	1¼ x 1½ - 5
100	Casing	AISI 316 SS	1K278	1K279
101	Impeller		See Impeller Reference Chart	
108	Adapter	Cast iron	1K281	
126	Shaft sleeve	AISI 316 SS	4K382	
184	Seal housing		1K280	
240	Motor support	Steel	9K187	
	Rubber channel	Rubber	9K188	
330	Shim pack	Plastic	4K383	
370	H.H. screw, adapter to casing	AISI 316 SS	13K157	
370H	H.H. screw, adapter to seal hsg.		13K257	
371	H.H. screw, adapter to motor		13K69	
383	Mechanical seal	standard	Carbon/sil car/viton	
		optional	Carbon/sil car/EPR	
		optional	Sil car/sil car/viton	
412A	O-ring, impeller	Viton	5K215	
		EPR	5K221	
513	O-ring, casing	Viton	5K216	
		EPR	5K222	

Impeller Reference Chart	
Part No.	Diameter
2K499	5⅜
2K500	5⅞
2K501	5
2K502	4⅞
2K503	4¾
2K504	4½
2K505	4¼
2K506	3 <sup>15</sup> / <sub>16</sub>
2K507	3¾
2K508	3½
2K509	3⅜
2K510	3 <sup>3</sup> / <sub>16</sub>
2K511	3

NOTE: For complete power frame assembly use part #14L61.

NOTE: For motor pricing see end suction price booklet.

## Xylem Inc.

2881 East Bayard Street Ext., Suite A, Seneca Falls, NY 13148

Phone: (800) 453-6777 Fax: (888) 322-5877

[www.gouldswatertechnology.com](http://www.gouldswatertechnology.com)

