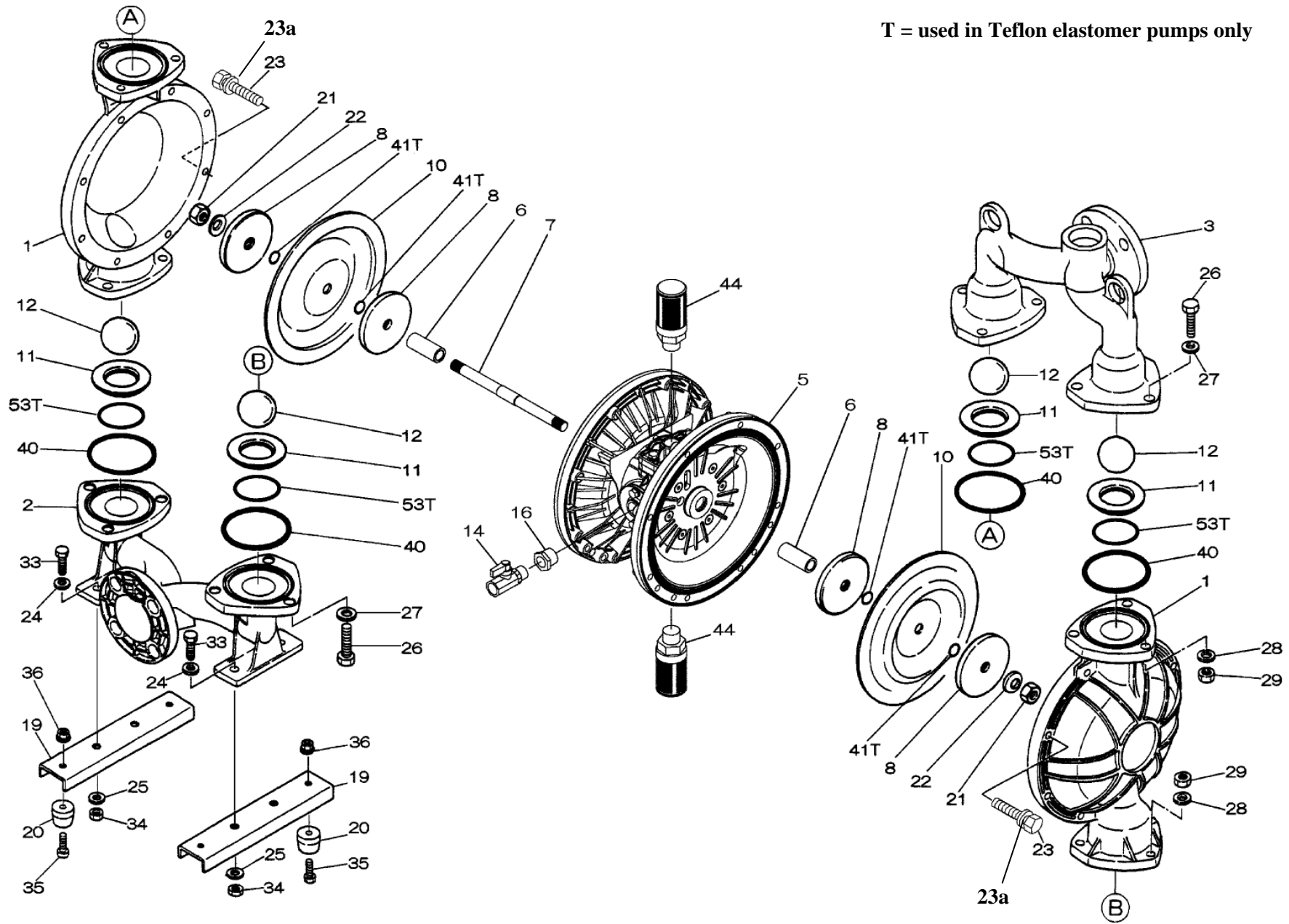


T = used in Teflon elastomer pumps only



XDP

Yamada America, Inc.
 955 East Algonquin Rd
 Arlington Heights, IL 60005
 Phone: 847.631.9200
 Fax: 847.631.9273
 www.yamadapump.com

Model: DP-40BFE-HD
 Part # 854381



| Reference No. | Description | Q'ty | Part No. |
|---------------|--------------------|------|----------|
| 1 | Out Chamber | 2 | 713156 |
| 2 | In Manifold - NPT | 1 | 713168 |
| 3 | Out Manifold - NPT | 1 | 713165 |
| 5 | Body Assembly | 1 | 804770 |
| 6 | Center Bushing | 2 | 716219 |
| 7 | Center Rod | 1 | 716218 |
| 8 | Center Disk | 2 | 711902 |
| 9 | Center Disk | 2 | 713369 |
| 10 | Diaphragm | 2 | 771854 |
| 11 | Valve Seat | 4 | 771921 |
| 12 | Ball | 4 | 770593 |
| 14 | Ball Valve | 1 | 684321 |
| 16 | Bushing | 1 | 684339 |
| 19 | Pump Base | 2 | 711911 |
| 20 | Cushion | 4 | 771402 |
| 21 | Nut | 2 | 683408 |
| 22 | Coned Disk Spring | 2 | 682740 |
| 23 | Bolt | 16 | 686160 |
| 23a | Wave Spring Washer | 16 | 631917 |
| 24 | Plain Washer | 4 | 631014 |
| 25 | Wave Spring Washer | 4 | 631917 |
| 26 | Bolt | 12 | 611202 |
| 27 | Plain Washer | 12 | 631015 |
| 28 | Spring Lock Washer | 12 | 631918 |
| 29 | Nut | 12 | 627014 |
| 33 | Bolt | 4 | 611175 |
| 34 | Nut | 4 | 627013 |
| 35 | Bolt | 4 | 611149 |
| 36 | Nut with Flange | 4 | 682276 |
| 40 | O-ring | 4 | 683999 |
| 44 | Silencer | 2 | 804697 |

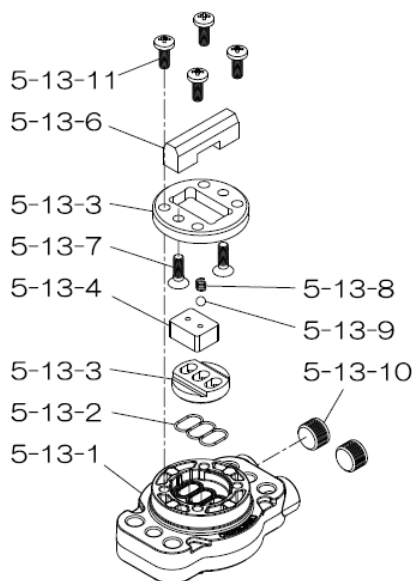
Repair Kits

K40-ME Liquid Side Kit includes the following:

| | | | |
|----|------------|---|--------|
| 10 | Diaphragm | 2 | 771854 |
| 11 | Valve Seat | 4 | 771921 |
| 40 | O-ring | 4 | 683999 |
| 12 | Ball | 4 | 770593 |

K45-AM-DP-HD Air Side Kit includes the following:

| | | | |
|------|------------------|---|--------|
| 5-3 | Throat Bearing | 2 | 773048 |
| 5-5 | Center Rod Guide | 1 | 773047 |
| 5-6 | O-ring | 2 | 640023 |
| 5-7 | O-ring | 2 | 640133 |
| 5-8 | Gasket | 2 | 773040 |
| 5-9 | Gasket | 2 | 773041 |
| 5-10 | O-ring | 2 | 640138 |
| 5-11 | O-ring | 8 | 640007 |
| 5-14 | O-ring | 2 | 640134 |
| 5-21 | Bushing | 4 | 773067 |
| 5-22 | Spring | 2 | 684537 |
| 5-24 | Pin | 2 | 700231 |



804784 Valve Body Assembly

| Reference No. | Description | Q'ty | Part No. |
|---------------|-----------------|------|----------|
| 5-13-1 | Valve Body | 1 | 716244 |
| 5-13-2 | Gasket | 1 | 773042 |
| 5-13-3 | Valve Seat | 1 | 716246 |
| 5-13-4 | Block | 1 | 773065 |
| 5-13-5 | Block Holder | 1 | 716245 |
| 5-13-6 | Valve Guide | 1 | 773064 |
| 5-13-7 | Flat Head Screw | 2 | 684384 |
| 5-13-8 | Spring | 1 | 706612 |
| 5-13-9 | Ball | 1 | 686271 |
| 5-13-10 | Plug | 2 | 772934 |
| 5-13-11 | Screw | 4 | 602299 |

XDP

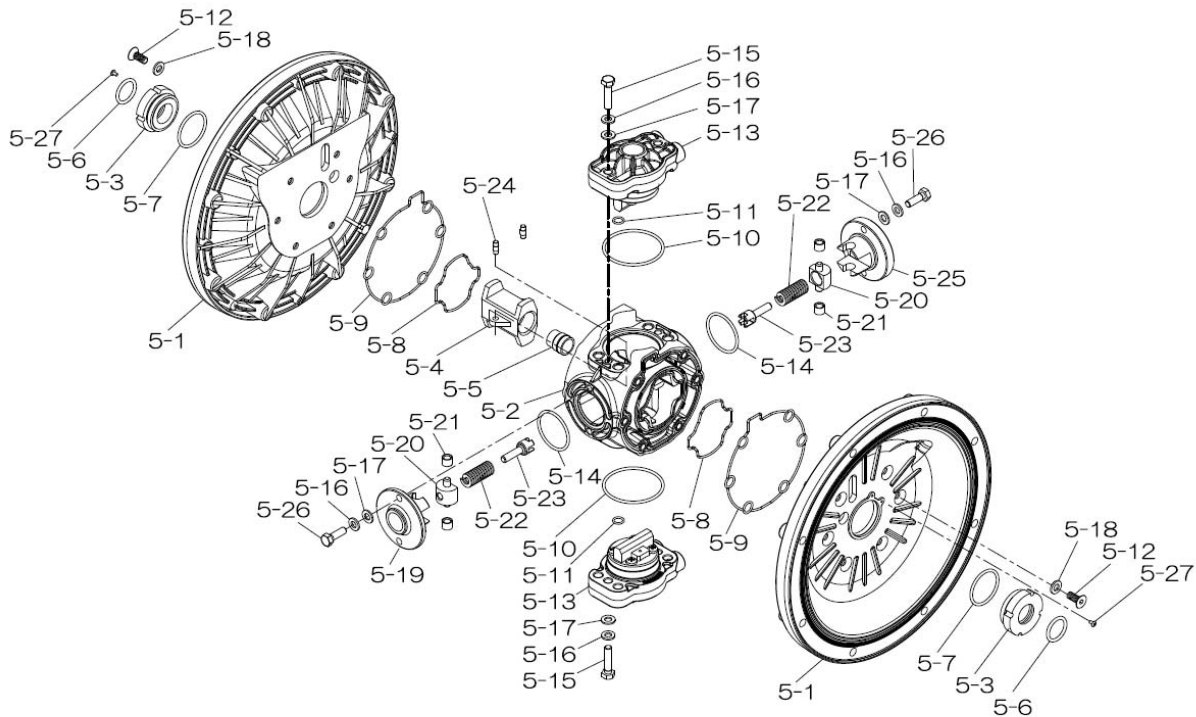
336B-00_2011

Yamada America, Inc.
 955 East Algonquin Rd
 Arlington Heights, IL 60005
 Phone: 847.631.9200
 Fax: 847.631.9273
 www.yamadapump.com



804770 Body Assembly

| Reference No. | Description | Q'ty | Part No. |
|---------------|---------------------|------|----------|
| 5-1 | Air Chamber | 2 | 716215 |
| 5-2 | Body | 1 | 716256 |
| 5-3 | Throat Bearing | 2 | 773048 |
| 5-4 | Valve Switcher | 1 | 716214 |
| 5-5 | Center Rod Guide | 1 | 773047 |
| 5-6 | O-ring | 2 | 640023 |
| 5-7 | O-ring | 2 | 640133 |
| 5-8 | Gasket | 2 | 773040 |
| 5-9 | Gasket | 2 | 773041 |
| 5-10 | O-ring | 2 | 640138 |
| 5-11 | O-ring | 8 | 640007 |
| 5-12 | Flat Head Bolt | 12 | 683812 |
| 5-13 | Valve Body Assembly | 2 | 804784 |
| 5-14 | O-ring | 2 | 640134 |
| 5-15 | Bolt | 4 | 611153 |
| 5-16 | Spring Washer | 8 | 631420 |
| 5-17 | Plain Washer | 8 | 631013 |
| 5-18 | Plain Washer | 12 | 684987 |
| 5-19 | Retainer B | 1 | 716249 |
| 5-20 | Spring Retainer | 2 | 713620 |
| 5-21 | Bushing | 4 | 773067 |
| 5-22 | Spring | 2 | 684537 |
| 5-23 | Trip Arm | 2 | 714446 |
| 5-24 | Pin | 2 | 700231 |
| 5-25 | Retainer A | 1 | 716216 |
| 5-26 | Bolt | 4 | 611149 |
| 5-27 | Tapping Screws | 2 | 686337 |



XDP

336B-00_2011

Yamada America, Inc.
 955 East Algonquin Rd
 Arlington Heights, IL 60005
 Phone: 847.631.9200
 Fax: 847.631.9273
 www.yamadapump.com

