

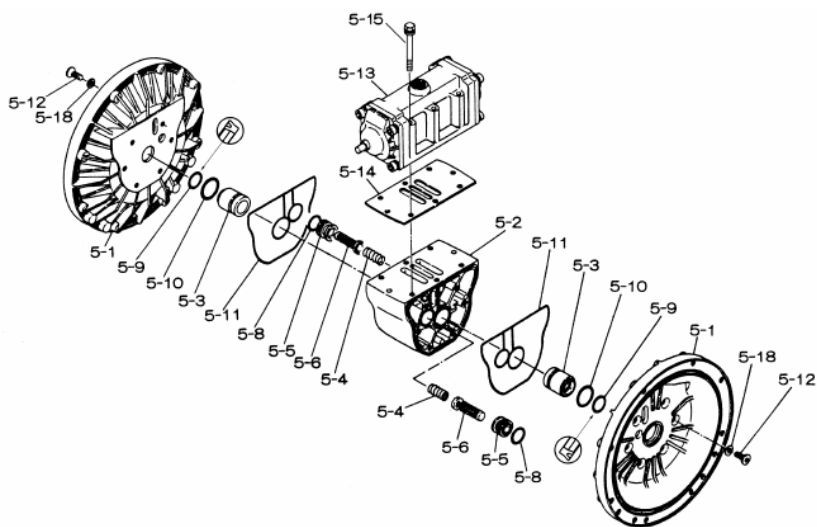
Yamada America, Inc.  
955 East Algonquin Rd  
Arlington Heights, IL 60005  
Phone: 847.631.9200  
Fax: 847.631.9273  
www.yamadapump.com

Model: NDP-50BFH  
Part # 852838



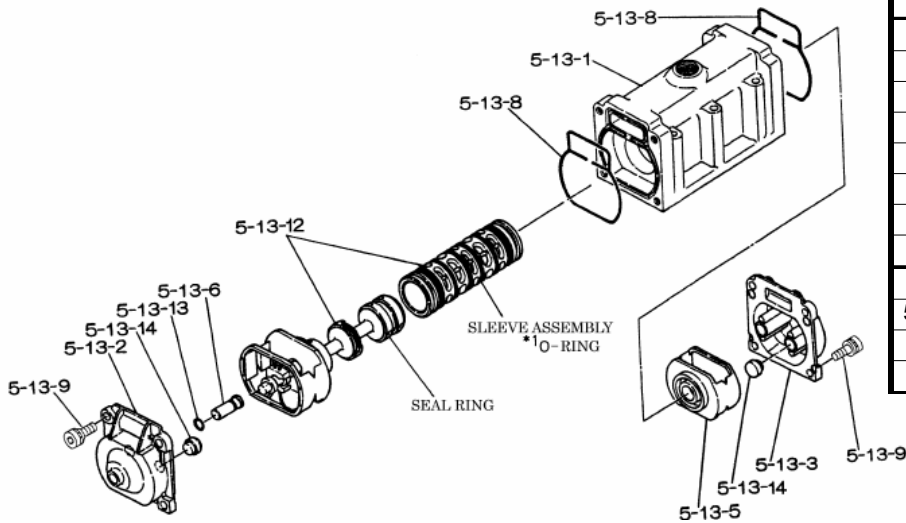
Reference No.	Description	Q'ty	Part No.
1	Out Chamber	2	713157
2	In Manifold	1	713169
3	Out Manifold	1	713166
5	Body Assembly	1	803112
7	Center Rod	1	711900
8	Center Disk	2	711904
9	Center Disk	2	713370
10	Diaphragm	2	771703
11	Valve Seat	4	771794
12	Ball	4	773143
14	Ball Valve	1	684322
15	Elbow	1	682523
19	Pump Base	2	711928
20	Cushion	4	771402
21	Nut	2	683408
22	Coned Disk Spring	2	682740
23	Bolt	16	686160
23a	Wave Spring Washer	16	631917
24	Plain Washer	4	631014
25	Wave Spring Washer	4	631917
26	Bolt	12	611202
27	Plain Washer	12	631015
28	Spring Lock Washer	12	631918
29	Nut	12	627014
33	Bolt	4	611175
34	Nut	4	627013
35	Bolt	4	611149
36	Nut with Flange	4	682276
40	O-ring	4	640069
51	Cushion	2	770582

Repair Kits			
<b>K50-MH Liquid Side Kit includes the following:</b>			
10	Diaphragm	2	771703
11	Valve Seat	4	771794
40	O-ring	4	640069
12	Ball	4	773143
<b>K45-AM Air Side Kit includes the following:</b>			
5-3	Throat Bearing	2	772689
5-4	Spring	2	711937
5-5	Valve Seat	2	771740
5-6	Pilot Valve Assembly	2	832162
5-8	O-ring	7	640020
5-9	Packing	2	685444
5-10	O-ring	2	640029
5-11	Gasket	2	771742
5-14	Gasket	1	771712
5-13-8	Gasket	2	771738
5-13-12 Seal	Seal Ring	15	771732
5-13-12 Sleeve	Sleeve Assembly	1	803675

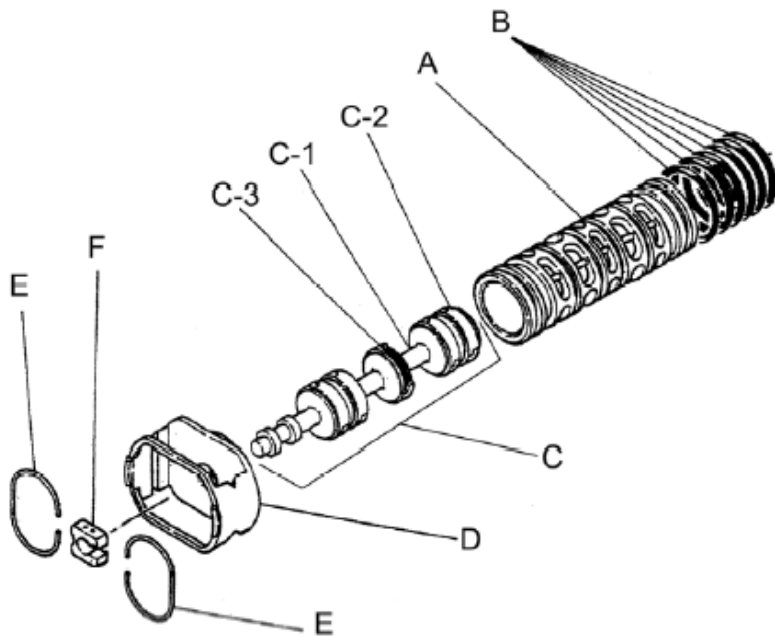


Body Assembly 803112			
Reference No.	Description	Q'ty	Part No.
5-1	Air Chamber	2	711934
5-2	Body	1	711936
5-3	Throat Bearing	2	772689
5-4	Spring	2	711937
5-5	Valve Seat	2	771740
5-6	Pilot Valve Assembly	2	832162
5-8	O-ring	2	640020
5-9	Packing	2	685444
5-10	O-ring	2	640029
5-11	Gasket	2	771742
5-12	Flat Head Bolt	12	683812
5-13	Valve Body Assembly	1	802971
5-14	Gasket	1	771712
5-15	Bolt	6	684240
5-18	Plain Washer	12	684987

Yamada America, Inc.  
 955 East Algonquin Rd  
 Arlington Heights, IL 60005  
 Phone: 847.631.9200  
 Fax: 847.631.9273  
 www.yamadapump.com



802971 Valve Body Assembly			
Reference No.	Description	Q'ty	Part No.
5-13-1	Valve Body	1	711931
5-13-2	Cap A	1	580999
5-13-3	Cap B	1	581000
5-13-5	Spring Stopper	1	771735
5-13-6	Reset Button	1	712976
5-13-8	Gasket	2	771738
5-13-9	Bolt	8	685036
5-13-12	C Spool Valve Assy.	1	803115
5-13-12 Seal	Seal Ring	15	771732
5-13-12 Sleeve	Sleeve Assembly	1	803675
5-13-13	O-ring	1	640005
5-13-14	Cushion	4	684128



803115 Air Valve Assembly (5-13-12)			
Reference No.	Description	Q'ty	Part No.
A	Sleeve	1	803675
B	O-ring	6	640036
C	Spool Assembly	1	803114
C-1	Spool	1	771733
C-2	Seal Ring	15	771732
C-3	O-ring	5	640020
D	Spring Retainer	1	771735
E	C-Spring	2	711932
F	Block	1	771734

Yamada America, Inc.  
955 East Algonquin Rd  
Arlington Heights, IL 60005  
Phone: 847.631.9200  
Fax: 847.631.9273  
www.yamadapump.com