

ELECTRONIC PRICING CATALOG NAVIGATION INSTRUCTIONS



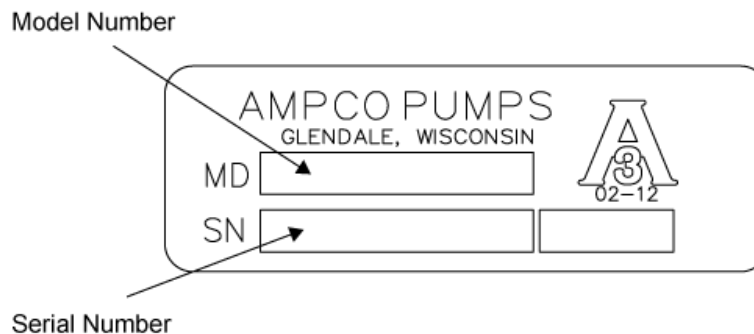
Questions? Call **1-800-810-1053**

Select by Pump Model:

If you know what pump you are looking for, you can use the 'Bookmarks' tab on the left and select the pump model which you are trying to access. Clicking in the Bookmark will take you to the page you are looking for.

If there are no tabs on the left (bookmarks, signatures, layers, pages), you can use the top menu to make them appear. Goto VIEW > SHOW/HIDE > NAVIGATION PANES > BOOKMARKS and they will appear.

Sample Pump ID Tag: See the illustration below for help identifying the location of the Model number and Serial number on the pump ID tag.



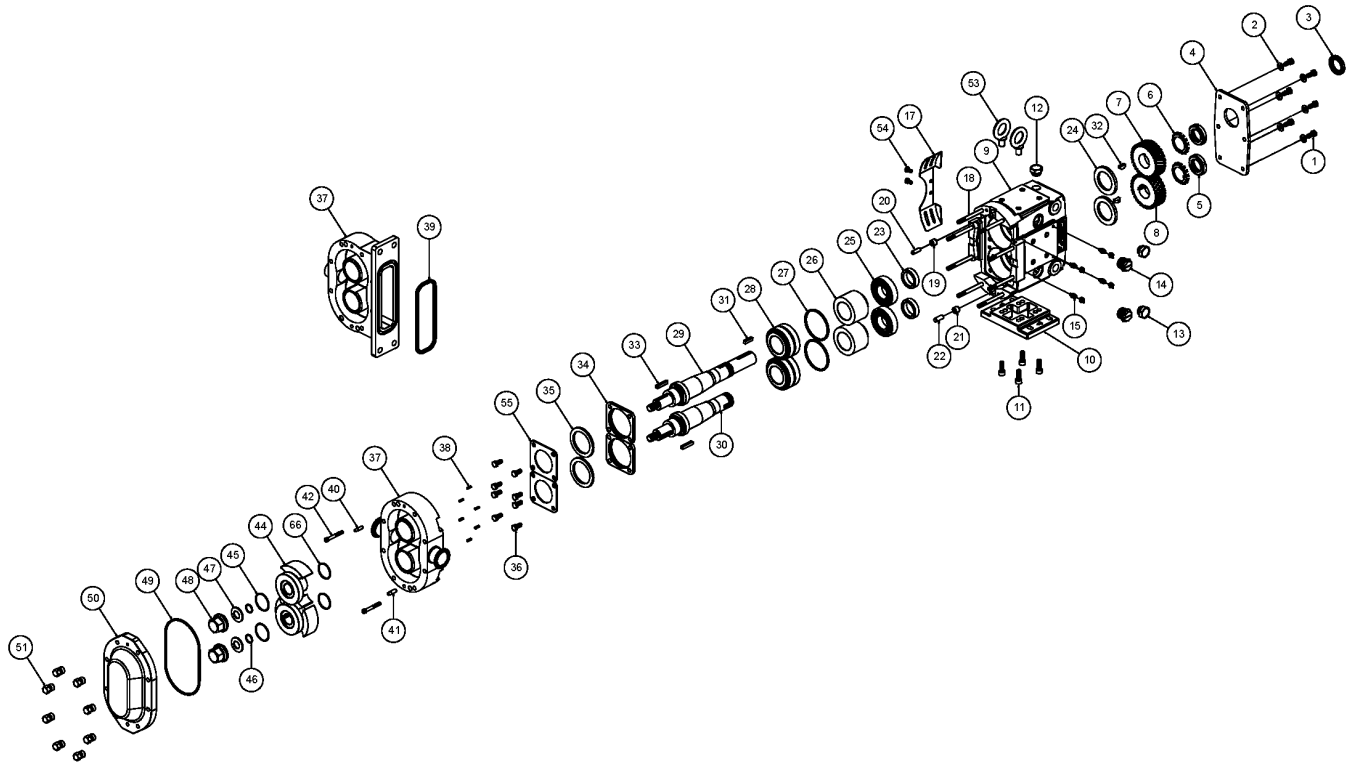
Please reference your serial number when ordering replacement parts.

Select by Part Number:

If you know an exact part number you are looking for, simply hit CONTROL+F and that will bring up the find feature. You may also use the menu, goto EDIT > FIND to bring up the same feature.

Type in your part number and it will show you all instances of that item in the catalog. If you only know some of the part number (i.e. SP328), that will also help and show all occurrences of those numbers together.

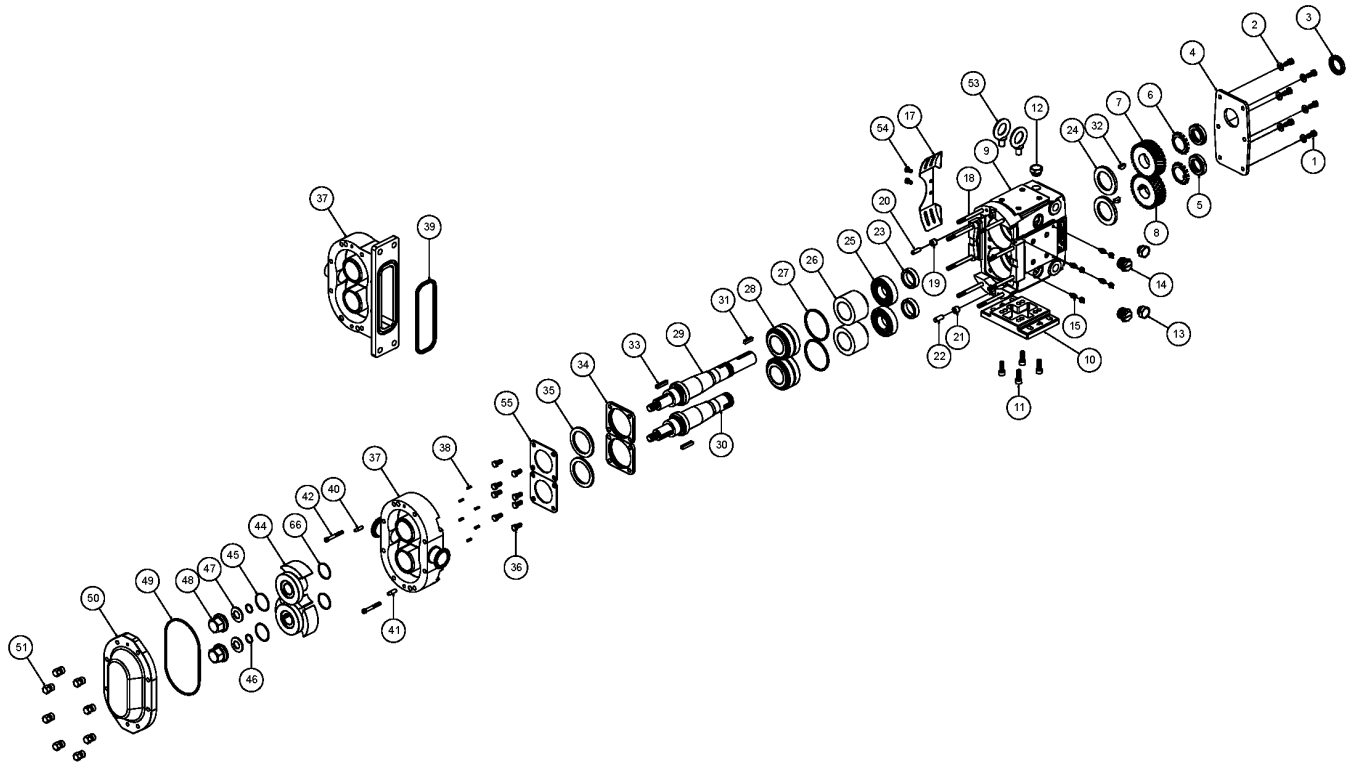
Be advised that partials of part number can return a large amount of results.



Exploded View

Optional Items Shown in ITALICS

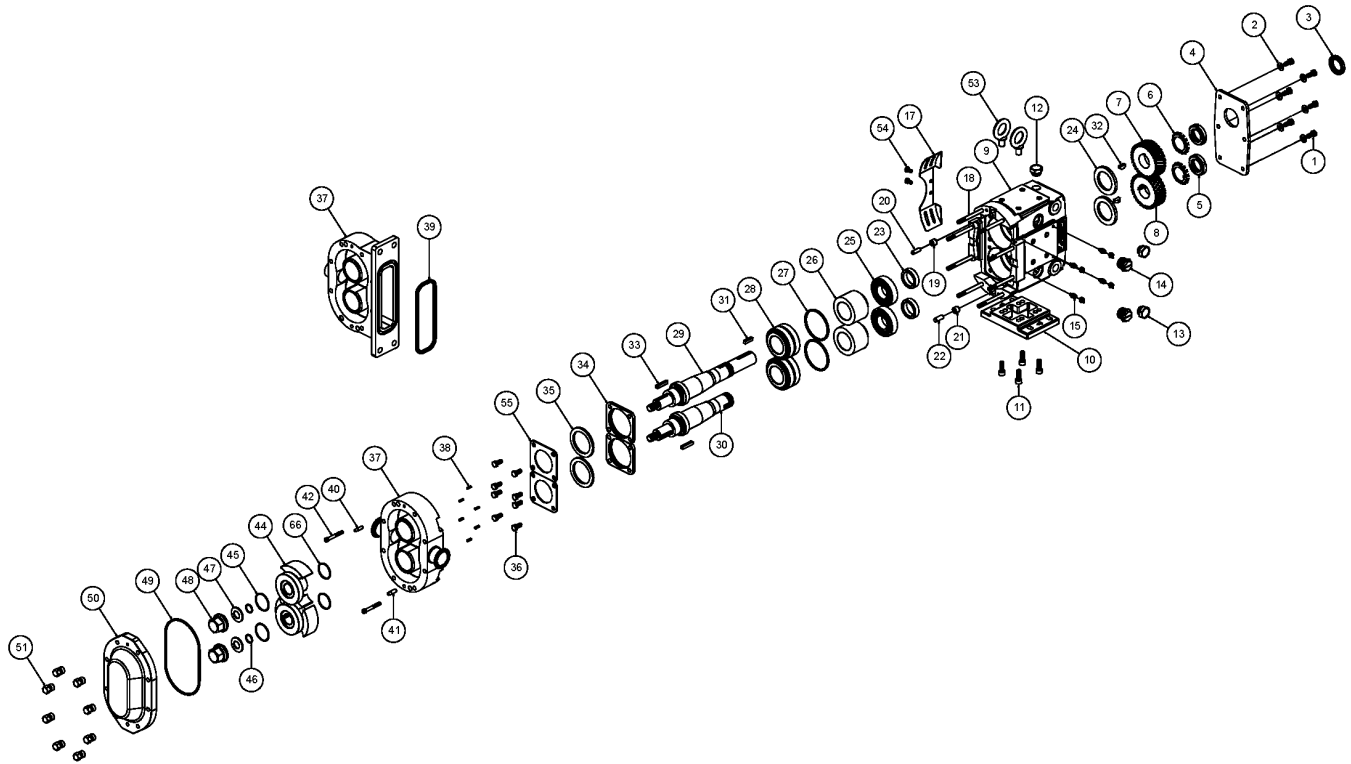
Ref #	Component Item No.	Description	Qty Per
1	P1GX30-58	1/4-20 X 3/4" HHCS, G.CASE COVER, SS - ZP3 6/15/18	6
2	P1GX43-108	FLAT WASHER, G CASE COVER, 1/4 X 5/8 OD, SS - ZP3 6/15/18	6
3	P1GX000030016	OIL SEAL, GEAR CASE COVER - ZP3 6/15/18	1
4	P1SX020106000	GEAR CASE COVER, SS - ZP3 6/15/18	1
5	P1GXSTD236005	GEAR LOCK NUT - ZP3 6/15/18	2
6	P1GXSTD136005	GEAR LOCKWASHER - ZP3 6/15/18	2
7	P1GX015007001	GEAR DRIVE SHAFT - ZP3 6/15/18	1
8	P1GX015007002	GEAR SHORT SHAFT - ZP3 6/15/18	1
9	P1SX020005000	GEAR CASE, SS - ZP3 6/15/18	1
10	P1SX020110000	GEAR CASE BASE, SS - ZP3 6/15/18	1
11	P1GX15SHCSGCB	SHCS, G. CASE BASE, (18-8 SS) 5/16-18 X 3/4 - ZP3 6/15/18	4
12	P1GX115798	PLUG,HEX,20M X1.5,W/NBR SEAL	5
13	P1GX115799	GAUGE,OIL,LVL,INDIC,M-20X1.5	1
14	P1GX20PLUG-SS	CLEANOUT PLUG, SS - ZP 6/15/18	4
15	P1GXBD0092001	GREASE FITTING, THREADED 1/4"-28 TAPER, SS	8
17	P1SX020CEGUARD	GUARD,6-24,(CE),GC,SS	2
18	P1GXAD0011000	STUD, ZP3 6/15	8
	<i>P1GXAD0011J00</i>	<i>STUD, JACKETED COVER, ZP3 6/15</i>	8
19	P1GXAD0116000	UPPER DOWEL BUSHING - ZP3 6/15/18	1
20	P1GX124581	DOWEL PIN - ZP3 6/15/18	1
21	P1GXAD0116100	LOWER DOWEL BUSHING - ZP3 6/15/18	1
22	P1GX124582	DOWEL PIN - ZP3 6/15/18	1
23	P1GX015055000	GEAR TO REAR BEARING SPACER - ZP3 6/15/18	2
24	P1GX000030017	OIL SEAL, REAR - ZP3 6/15/18	2
25	P1GX015035000	REAR BEARING - ZP3 6/15/18	2
26	P1GX101814	BEARING SPACER - ZP3 6/15/18	2
27	P1GX117889	SHIM KIT - ZP3 6/15/18	2



Exploded View

Optional Items Shown in ITALICS

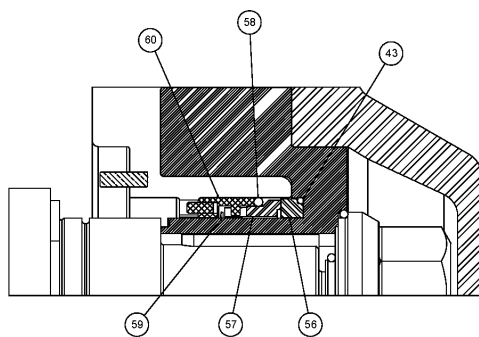
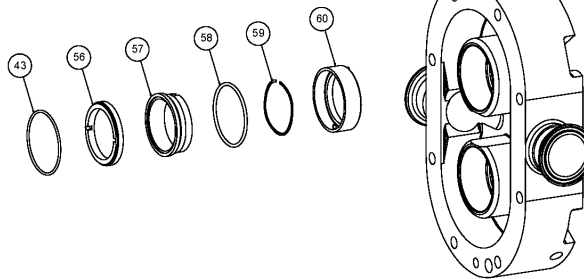
Ref #	Component Item No.	Description	Qty Per
28	P1GX101714	FRONT BEARING - ZP3 6/15/18	2
29	P2SX108405	DRIVE SHAFT (17-4PH) - ZP3 6/15	1
30	P2SX108406	SHORT SHAFT (17-4PH) - ZP3 6/15	1
31	P1GX000037001	DRIVE KEY, 3/16 SQ. X 1-1/8" - ZP3 6/15/18	1
32	P1GX015037000	GEAR KEY - ZP3 6/15/18	2
33	P2SX101817	ROTOR KEY - ZP3 6/15	2
34	P1SX120332	BEARING RETAINER, NEW STYLE 3A - ZP3 6/15/18	2
35	P1GX121679	GREASE SEAL FRONT BEARING RET. 3A - ZP3 6/15/18	2
36	P1GX30-58	CAPSCRW,HX,1/4-20X3/4,18-8SS	8
37	P3BDY006001002	BODY - ZP3 6	1
	<i>P3BDY006001F02</i>	<i>BODY - ZP3 6 - FLUSHED</i>	1
38	P2GX101718	STOP PIN,SEAL - ZP3 6/15/18	6
40	P1GX124581	DOWEL PIN - ZP3 6/15/18	1
41	P1GX124582	DOWEL PIN - ZP3 6/15/18	1
42	P1GX30-523	1/4-20 X 1.25" SHCS (18-8 SS) - ZP3 6/15	2
44	P3RTB006010C00	ROTOR TWIN BLADE - ZP3 6 (STD-CIP) - ALLOY 88	2
	<i>P3RTB006010C0H</i>	<i>ROTOR TWIN BLADE - ZP3 6 (STD-CIP) - ALLOY 88 - HOT CLEARANCE</i>	2
	<i>P3RTB0060102C0</i>	<i>ROTOR TWIN BLADE - ZP3 6 (STD-CIP) - 316L</i>	2
45	V70126	O-RING, ROTOR NUT (VITON) - ZP3 6/15/18	2
	<i>N70126</i>	<i>O-RING, ROTOR NUT (BUNA) - ZP3 6/15/18</i>	2
	<i>E70126</i>	<i>O-RING, ROTOR NUT (EPDM) - ZP3 6/15/18</i>	2
46	V70112	O-RING, RETAINER (VITON) - ZP3 6/15/18	2
	<i>N70112</i>	<i>O-RING, RETAINER (BUNA) - ZP3 6/15/18</i>	2
	<i>E70112</i>	<i>O-RING, RETAINER (EPDM) - ZP3 6/15/18</i>	2
47	P2GX101691	BELLEVILLE WASHER, SS - ZP3 6/15/18	2
48	P2SX101804	ROTOR NUT - ZP3 6/15/18	2
49	V70249	O-RING, COVER (VION) - ZP3 6/15/18	2



Exploded View

Optional Items Shown in ITALICS

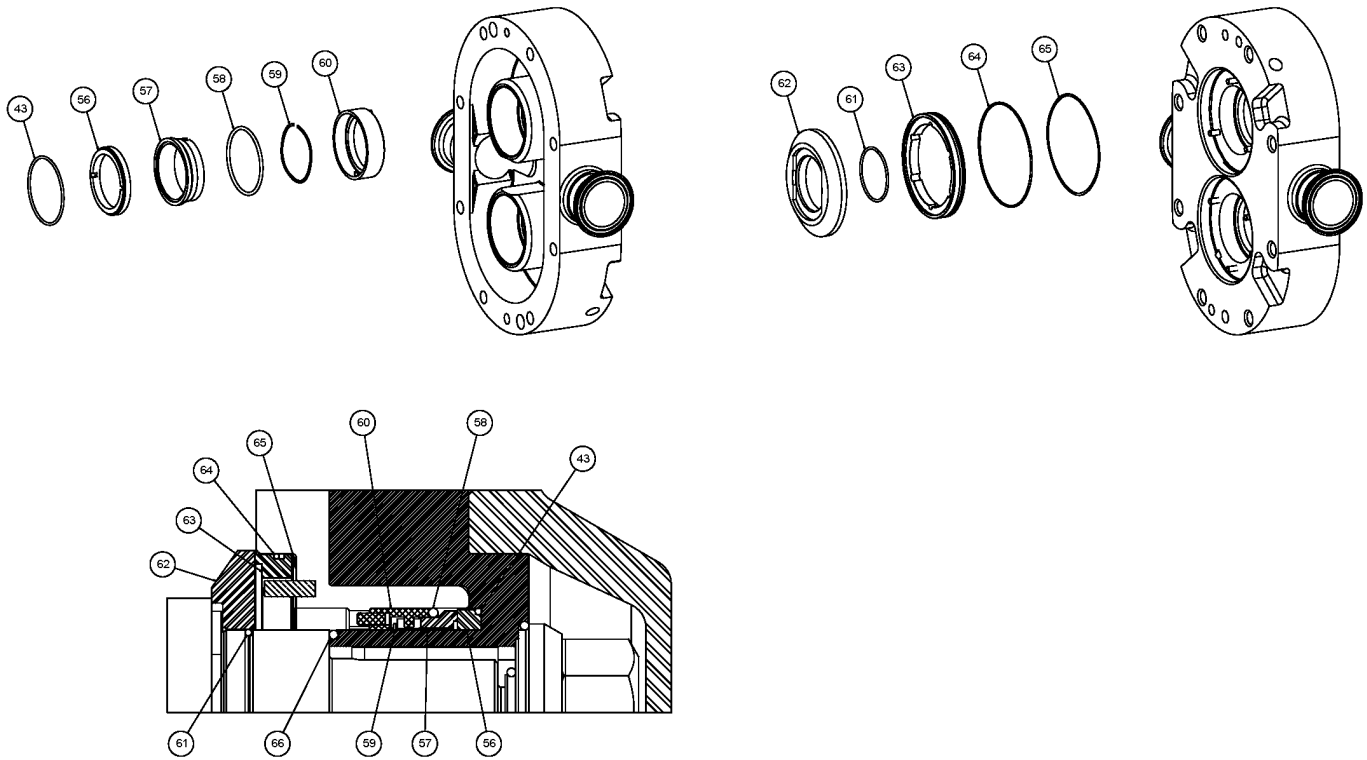
Ref #	Component Item No.	Description	Qty Per
49	<i>N70249</i>	<i>O-RING, COVER (BUNA) - ZP3 6/15/18</i>	2
	<i>E70249</i>	<i>O-RING, COVER (EPDM) - ZP3 6/15/18</i>	2
	<i>SE70249</i>	<i>O-RING, COVER (FEP ENCAPSULATED SILICONE) - ZP3 6/15/18</i>	2
50	P3CVR101842	COVER - ZP3 6/15/18	2
	<i>P3CVR107664</i>	<i>COVER, JACKETED - ZP3 6/15/18</i>	2
51	P1SX108369	COVER HEX NUT - ZP3 6/15/18	2
	<i>P1GX105850</i>	<i>WING NUT - ZP1 6/15/18</i>	2
54	P1GX000CENAIL	DRIVENAIL,ZP,GEAR CASE GUARDS	2
55	P1SX020SPLATE	BEARING RETAINER SPLASH PLATE - ZP3 6/15/18	2
60	P3SX020098000	SEAL SLEEVE, NEW DESIGN - ZP3 6/15/18	2
66	V70121	O-RING, ROTOR HUB (VITON) - ZP3 6/15/18	2
	<i>N70121</i>	<i>O-RING, ROTOR HUB (BUNA) - ZP3 6/15/18</i>	2
	<i>E70121</i>	<i>O-RING, ROTOR HUB (EPDM) - ZP3 6/15/18</i>	2



Single Mechanical Seal

Optional Items Shown in ITALICS

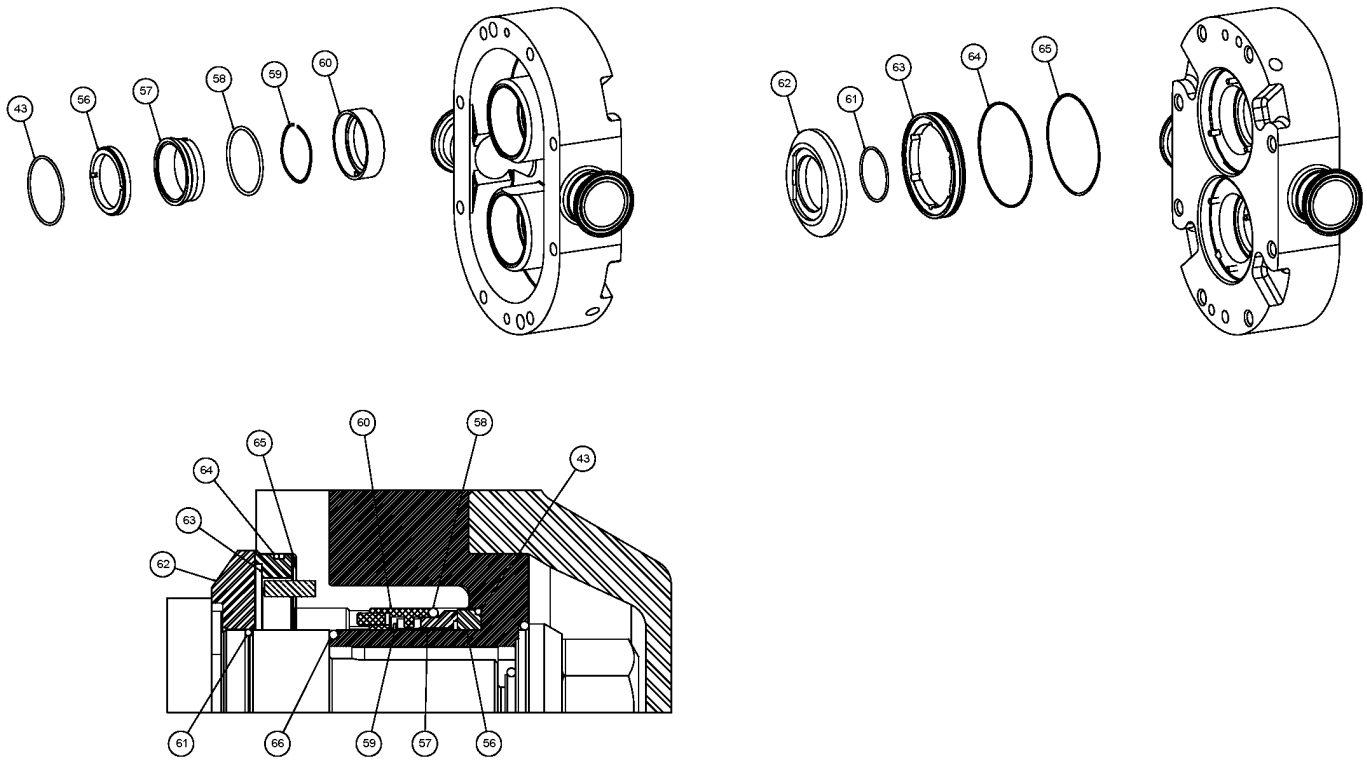
Ref #	Component Item No.	Description	Qty Per
43	V70028	O-RING, ROTOR SEAL FACE (VITON) ZP3 6/15/18	2
	<i>N70028</i>	<i>O-RING, ROTOR SEAL FACE (BUNA) ZP3 6/15/18</i>	<i>2</i>
	<i>E70028</i>	<i>O-RING, ROTOR SEAL FACE (EPDM) ZP3 6/15/18</i>	<i>2</i>
56	P3GS015014009	ROTOR SEAL FACE (C) - ZP3 6/15/18	2
	<i>P3GS015014000</i>	<i>ROTOR SEAL FACE (TC) - ZP3 6/15/18</i>	<i>2</i>
57	P3GS015306000	BODY SEAL FACE (TC) - ZP3 6/15/18	2
58	V70M2X36	O-RING, BODY SEAL FACE (VITON) - ZP3 6/15/18	2
	<i>N70M2X36</i>	<i>O-RING, BODY SEAL FACE (BUNA) - ZP3 6/15/18</i>	<i>2</i>
	<i>E70M2X36</i>	<i>O-RING, BODY SEAL FACE (EPDM) - ZP3 6/15/18</i>	<i>2</i>
59	P3GS015304000	SEAL WAVE SPRING - ZP3 6/15/18	2
60	P3SX020098000	SEAL SLEEVE, NEW DESIGN - ZP3 6/15/18	2



Double Mechanical Seal

Optional Items Shown in ITALICS

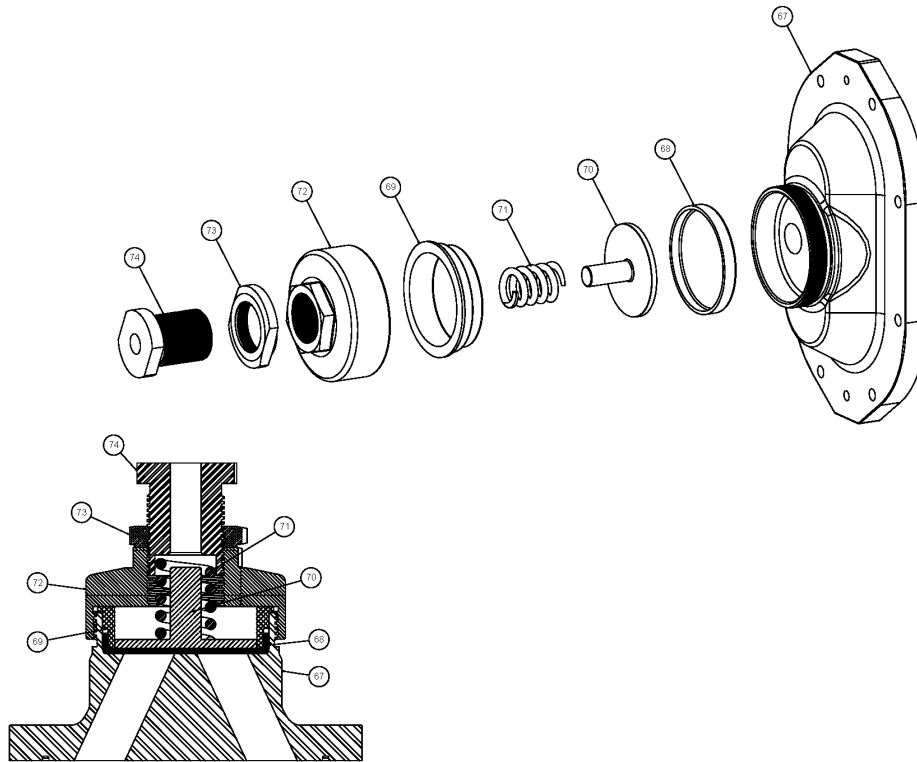
Ref #	Component Item No.	Description	Qty Per
43	V70028	O-RING, ROTOR SEAL FACE (VITON) ZP3 6/15/18	2
	<i>N70028</i>	<i>O-RING, ROTOR SEAL FACE (BUNA) ZP3 6/15/18</i>	2
	<i>E70028</i>	<i>O-RING, ROTOR SEAL FACE (EPDM) ZP3 6/15/18</i>	2
44	P3RTB006010C00	ROTOR TWIN BLADE - ZP3 6 (STD-CIP) - ALLOY 88	2
	<i>P3RTB006010C0H</i>	<i>ROTOR TWIN BLADE - ZP3 6 (STD-CIP) - ALLOY 88 - HOT CLEARANCE</i>	2
	<i>P3RTB0060102C0</i>	<i>ROTOR TWIN BLADE - ZP3 6 (STD-CIP) - 316L</i>	2
45	V70126	O-RING, ROTOR NUT (VITON) - ZP3 6/15/18	2
	<i>N70126</i>	<i>O-RING, ROTOR NUT (BUNA) - ZP3 6/15/18</i>	2
	<i>E70126</i>	<i>O-RING, ROTOR NUT (EPDM) - ZP3 6/15/18</i>	2
46	V70112	O-RING, RETAINER (VITON) - ZP3 6/15/18	2
	<i>N70112</i>	<i>O-RING, RETAINER (BUNA) - ZP3 6/15/18</i>	2
	<i>E70112</i>	<i>O-RING, RETAINER (EPDM) - ZP3 6/15/18</i>	2
47	P2GX101691	BELLEVILLE WASHER, SS - ZP3 6/15/18	2
48	P2SX101804	ROTOR NUT - ZP3 6/15/18	2
49	V70249	O-RING, COVER (VION) - ZP3 6/15/18	2
	<i>N70249</i>	<i>O-RING, COVER (BUNA) - ZP3 6/15/18</i>	2
	<i>E70249</i>	<i>O-RING, COVER (EPDM) - ZP3 6/15/18</i>	2
	<i>SE70249</i>	<i>O-RING, COVER (FEP ENCAPSULATED SILICONE) - ZP3 6/15/18</i>	2
56	P3GS015014009	ROTOR SEAL FACE (C) - ZP3 6/15/18	2
	<i>P3GS015014000</i>	<i>ROTOR SEAL FACE (TC) - ZP3 6/15/18</i>	2
57	P3GS015306000	BODY SEAL FACE (TC) - ZP3 6/15/18	2
58	V70M2X36	O-RING, BODY SEAL FACE (VITON) - ZP3 6/15/18	2
	<i>N70M2X36</i>	<i>O-RING, BODY SEAL FACE (BUNA) - ZP3 6/15/18</i>	2
	<i>E70M2X36</i>	<i>O-RING, BODY SEAL FACE (EPDM) - ZP3 6/15/18</i>	2
59	P3GS015304000	SEAL WAVE SPRING - ZP3 6/15/18	2
60	P3SX020098000	SEAL SLEEVE, NEW DESIGN - ZP3 6/15/18	2
61	V70024	O-RING, SHAFT (VITON) - ZP3 6/15/18	2



Double Mechanical Seal

Optional Items Shown in ITALICS

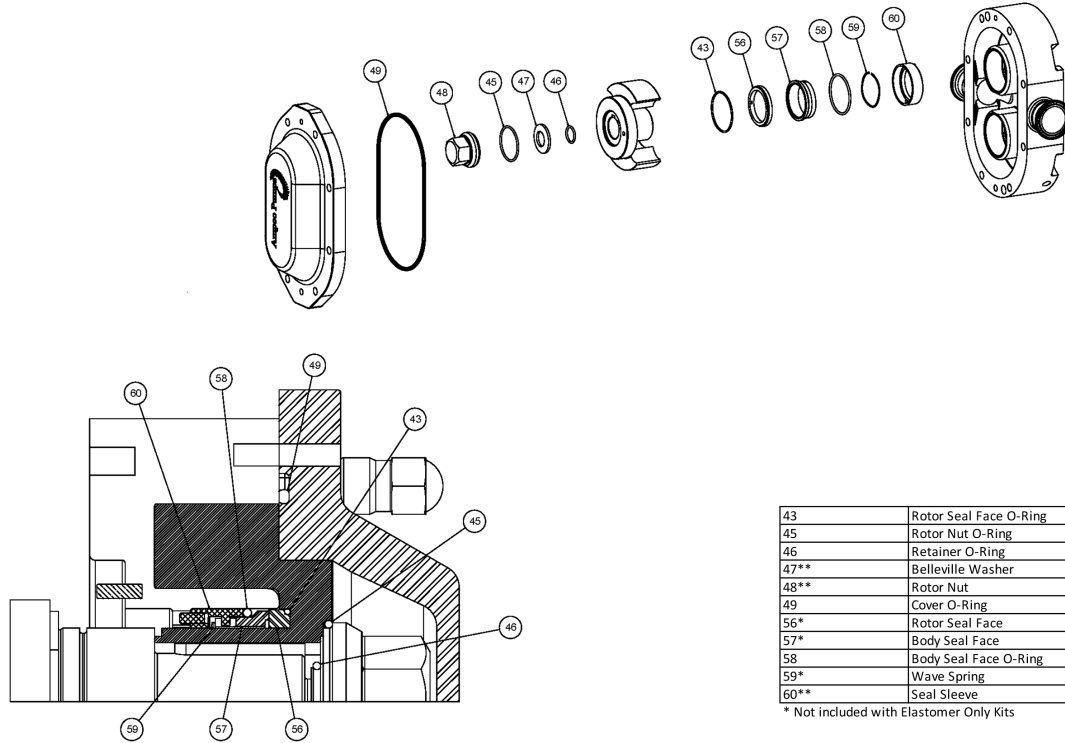
Ref #	Component Item No.	Description	Qty Per
61	<i>N70024</i>	<i>O-RING, SHAFT (BUNA) - ZP3 6/15/18</i>	2
	<i>E70024</i>	<i>O-RING, SHAFT (EPDM) - ZP3 6/15/18</i>	2
62	P2GS101667	SEAL SEAT (K) - ZP3 6/15/18	2
	<i>P2GS101668</i>	<i>SEAL SEAT (C) - ZP3 6/15/18</i>	2
63	P2GS101679	OUTER SEAL (N) - ZP3 6/15/18	2
64	V70035	O-RING, OUTER SEAL (VITON) - ZP3 6/15/18	2
	<i>N70035</i>	<i>O-RING, OUTER SEAL (BUNA) - ZP3 6/15/18</i>	2
	<i>E70035</i>	<i>O-RING, OUTER SEAL (EPDM) - ZP3 6/15/18</i>	2
65	P2GS101684	OUTER SEAL WAVE SPRING - ZP3 6/15/18	2
66	V70121	O-RING, ROTOR HUB (VITON) - ZP3 6/15/18	2
	<i>N70121</i>	<i>O-RING, ROTOR HUB (BUNA) - ZP3 6/15/18</i>	2
	<i>E70121</i>	<i>O-RING, ROTOR HUB (EPDM) - ZP3 6/15/18</i>	2



Pressure Relief Cover

Optional Items Shown in ITALICS

Ref #	Component Item No.	Description	Qty Per
67	P3CVR103669	VENTED FRONT COVER, ZP3 - 6/15/18	1
68	P1GXAD0078V00	RUBBER DIAPHRAGM, VITON, ZP1 & ZP2 & ZP3 - 6/15/18/30/34/40	1
	<i>P1GXAD0078000</i>	<i>RUBBER DIAPHRAGM, BUNA, ZP1 & ZP2 & ZP3 - 6/15/18/30/34/40</i>	1
	<i>P1GXAD0078EP0</i>	<i>RUBBER DIAPHRAGM, EPDM, ZP1 & ZP2 & ZP3 - 6/15/18/30/34/40</i>	1
69	P1SXAD0077000	DIAPHRAGM BUSHING, ZP1 & ZP2 & ZP3 - 6/15/18/30/34/40	1
70	P1SXAD0073000	SPRING PLUNGER, ZP1 & ZP2 & ZP3 - 6/15/18/30/34/40	1
71	P1SXAD0076000	SPRING, MEDIUM, (LESS THAN 150 PSI), ZP1 & ZP2 & ZP3 - 6/15/18/30/34/40	1
	<i>P1SXABB076100</i>	<i>SPRING, HIGH, (MORE THAN 150 PSI), ZP1 & ZP2 & ZP3 - 6/15/18/30/34/40</i>	1
72	P1SXAD0075000	COVER NUT, ZP1 & ZP2 & ZP3 - 6/15/18/30/34/40	1
73	P1SXAD0074000	LOCKNUT, ZP1 & ZP2 & ZP3 - 6/15/18/30/34/40	1
74	P1SXAD0072000	ADJUSTING SCREW, ZP1 & ZP2 & ZP3 - 6/15/18/30/34/40	1



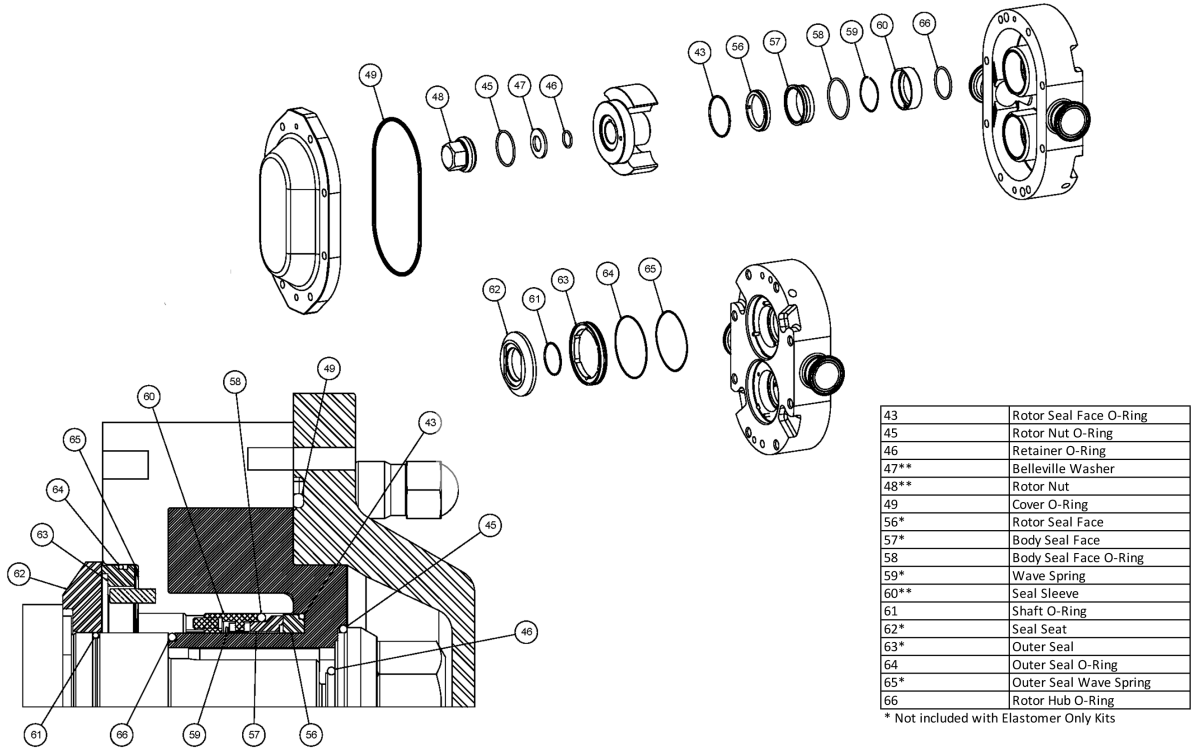
43	Rotor Seal Face O-Ring
45	Rotor Nut O-Ring
46	Retainer O-Ring
47**	Belleville Washer
48**	Rotor Nut
49	Cover O-Ring
56*	Rotor Seal Face
57*	Body Seal Face
58	Body Seal Face O-Ring
59*	Wave Spring
60**	Seal Sleeve

* Not included with Elastomer Only Kits

Single Mechanical Seal Kit

Optional Items Shown in ITALICS

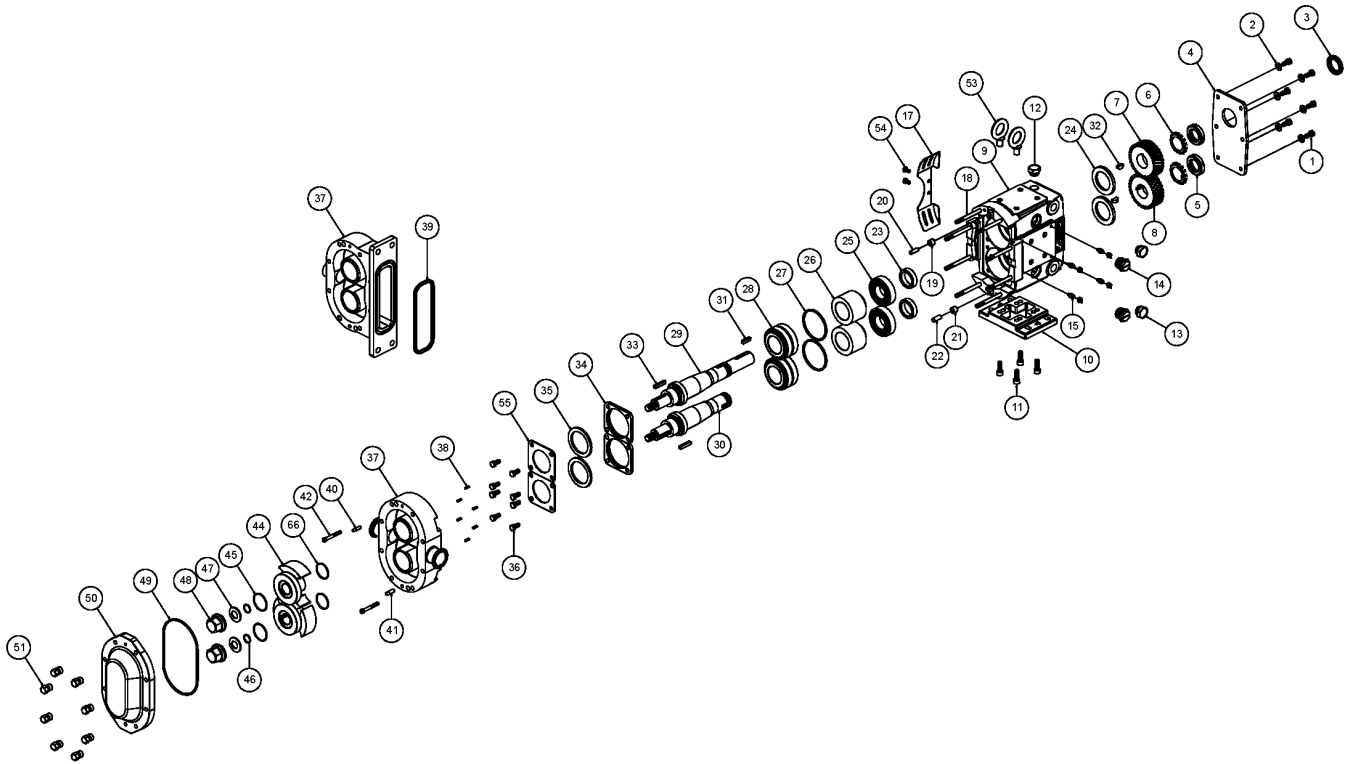
Ref #	Component Item No.	Description	Qty Per
3	P3GS015000-V	SEAL KIT, SGL MECH, TC/SC, VITON - ZP3 6/15/18	1
	<i>P3GS015000-N</i>	<i>SEAL KIT, SGL MECH, TC/SC, BUNA - ZP3 6/15/18</i>	<i>1</i>
	<i>P3GS015000-E</i>	<i>SEAL KIT, SGL MECH, TC/SC, EPDM - ZP3 6/15/18</i>	<i>1</i>
47	P2GX101691	BELLEVILLE WASHER, SS - ZP3 6/15/18	2
48	P2SX101804	ROTOR NUT - ZP3 6/15/18	2
60	P3SX020098000	SEAL SLEEVE, NEW DESIGN - ZP3 6/15/18	2



Double Mechanical Seal Kit

Optional Items Shown in ITALICS

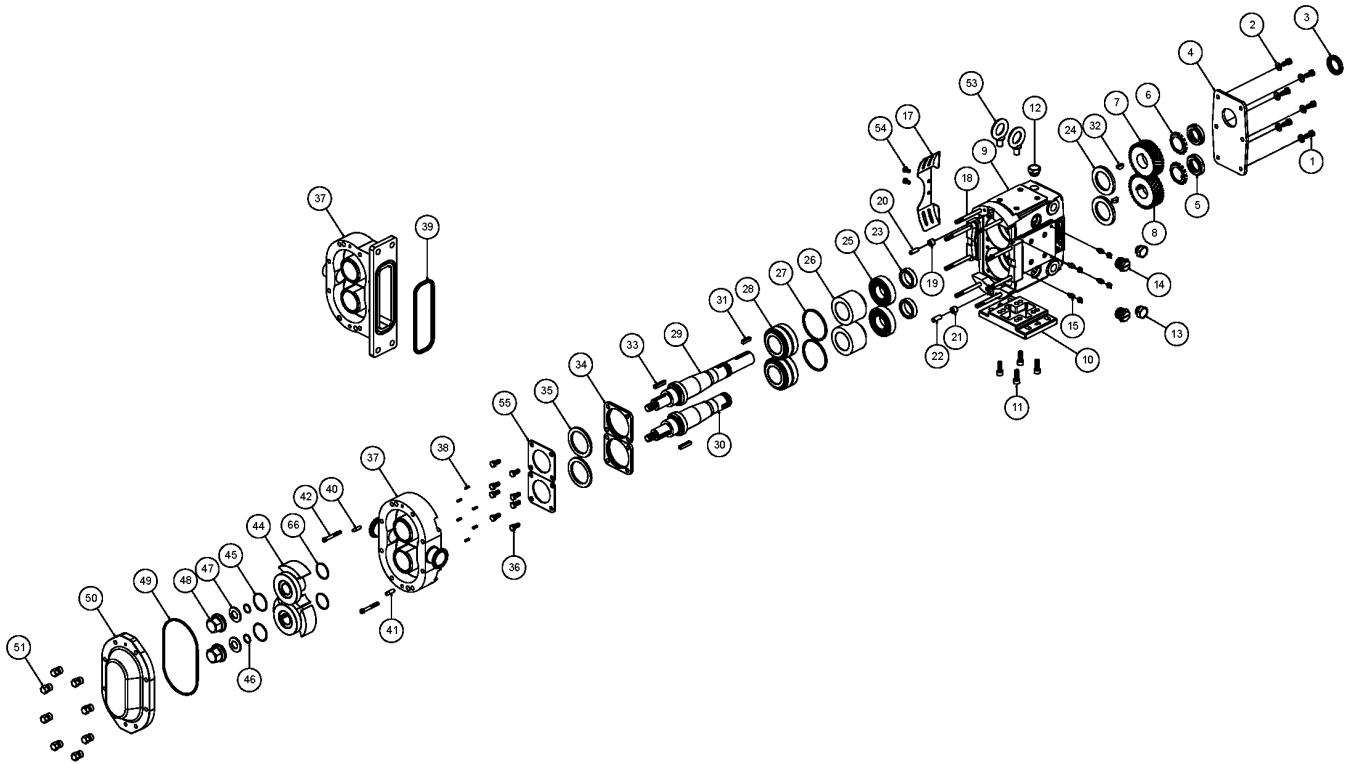
Ref #	Component Item No.	Description	Qty Per
3	P3GS015000-V	SEAL KIT, DBL MECH, TC/SC - CE/CA, VITON - ZP3 6/15/18	1
	<i>P3GS015000-N</i>	<i>SEAL KIT, DBL MECH, TC/SC - CE/CA, BUNA - ZP3 6/15/18</i>	<i>1</i>
	<i>P3GS015000-E</i>	<i>SEAL KIT, DBL MECH, TC/SC - CE/CA, EPDM - ZP3 6/15/18</i>	<i>1</i>
5	P3GS015000-V	SEAL KIT, DBL MECH, TC/SC - SC/CA, VITON - ZP3 6/15/18	1
	<i>P3GS015000-N</i>	<i>SEAL KIT, DBL MECH, TC/SC - SC/CA, BUNA - ZP3 6/15/18</i>	<i>1</i>
	<i>P3GS015000-E</i>	<i>SEAL KIT, DBL MECH, TC/SC - SC/CA, EPDM - ZP3 6/15/18</i>	<i>1</i>
47	P2GX101691	BELLEVILLE WASHER, SS - ZP3 6/15/18	2
48	P2SX101804	ROTOR NUT - ZP3 6/15/18	2
60	P3SX020098000	SEAL SLEEVE, NEW DESIGN - ZP3 6/15/18	2



Exploded View

Optional Items Shown in ITALICS

Ref #	Component Item No.	Description	Qty Per
1	P1GX30-58	1/4-20 X 3/4" HHCS, G.CASE COVER, SS - ZP3 6/15/18	6
2	P1GX43-108	FLAT WASHER, G CASE COVER, 1/4 X 5/8 OD, SS - ZP3 6/15/18	6
3	P1GX000030016	OIL SEAL, GEAR CASE COVER - ZP3 6/15/18	1
4	P1SX020106000	GEAR CASE COVER, SS - ZP3 6/15/18	1
5	P1GXSTD236005	GEAR LOCK NUT - ZP3 6/15/18	2
6	P1GXSTD136005	GEAR LOCKWASHER - ZP3 6/15/18	2
7	P1GX015007001	GEAR DRIVE SHAFT - ZP3 6/15/18	1
8	P1GX015007002	GEAR SHORT SHAFT - ZP3 6/15/18	1
9	P1SX020005000	GEAR CASE, SS - ZP3 6/15/18	1
10	P1SX020110000	GEAR CASE BASE, SS - ZP3 6/15/18	1
11	P1GX15SHCSGCB	SHCS, G. CASE BASE, (18-8 SS) 5/16-18 X 3/4 - ZP3 6/15/18	4
12	P1GX115798	PLUG,HEX,20M X1.5,W/NBR SEAL	5
13	P1GX115799	GAUGE,OIL,LVL,INDIC,M-20X1.5	1
14	P1GX20PLUG-SS	CLEANOUT PLUG, SS - ZP 6/15/18	4
15	P1GXBD0092001	GREASE FITTING, THREADED 1/4"-28 TAPER, SS	8
17	P1SX020CEGUARD	GUARD,6-24,(CE),GC,SS	2
18	P1GXAD0011000	STUD, ZP3 6/15	8
	<i>P1GXAD0011J00</i>	<i>STUD, JACKETED COVER, ZP3 6/15</i>	8
19	P1GXAD0116000	UPPER DOWEL BUSHING - ZP3 6/15/18	1
20	P1GX124581	DOWEL PIN - ZP3 6/15/18	1
21	P1GXAD0116100	LOWER DOWEL BUSHING - ZP3 6/15/18	1
22	P1GX124582	DOWEL PIN - ZP3 6/15/18	1
23	P1GX015055000	GEAR TO REAR BEARING SPACER - ZP3 6/15/18	2
24	P1GX000030017	OIL SEAL, REAR - ZP3 6/15/18	2
25	P1GX015035000	REAR BEARING - ZP3 6/15/18	2
26	P1GX101814	BEARING SPACER - ZP3 6/15/18	2
27	P1GX117889	SHIM KIT - ZP3 6/15/18	2



Exploded View

Optional Items Shown in ITALICS

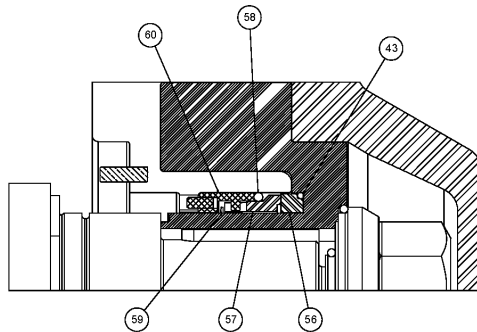
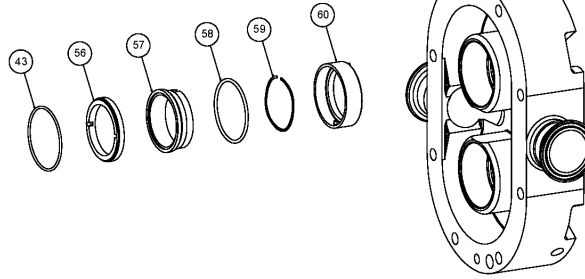
Ref #	Component Item No.	Description	Qty Per
28	P1GX101714	FRONT BEARING - ZP3 6/15/18	2
29	P2SX108405	DRIVE SHAFT (17-4PH) - ZP3 6/15	1
30	P2SX108406	SHORT SHAFT (17-4PH) - ZP3 6/15	1
31	P1GX000037001	DRIVE KEY, 3/16 SQ. X 1-1/8" - ZP3 6/15/18	1
32	P1GX015037000	GEAR KEY - ZP3 6/15/18	2
33	P2SX101817	ROTOR KEY - ZP3 6/15	2
34	P1SX120332	BEARING RETAINER, NEW STYLE 3A - ZP3 6/15/18	2
35	P1GX121679	GREASE SEAL FRONT BEARING RET. 3A - ZP3 6/15/18	2
36	P1GX30-58	CAPSCRW,HX,1/4-20X3/4,18-8SS	8
37	P3BDY015001002	BODY - ZP3 15	1
	<i>P3BDY015001F02</i>	<i>BODY - ZP3 15 - FLUSHED</i>	1
38	P2GX101718	STOP PIN,SEAL - ZP3 6/15/18	6
40	P1GX124581	DOWEL PIN - ZP3 6/15/18	1
41	P1GX124582	DOWEL PIN - ZP3 6/15/18	1
42	P1GX30-523	1/4-20 X 1.25" SHCS (18-8 SS) - ZP3 6/15	2
44	P3RTB015010C00	ROTOR TWIN BLADE - ZP3 15 (STD-CIP) - ALLOY 88	2
	<i>P3RTB015010C0H</i>	<i>ROTOR TWIN BLADE - ZP3 15 (STD-CIP) - ALLOY 88 - HOT CLEARANCE</i>	2
45	V70126	O-RING, ROTOR NUT (VITON) - ZP3 6/15/18	2
	<i>N70126</i>	<i>O-RING, ROTOR NUT (BUNA) - ZP3 6/15/18</i>	2
	<i>E70126</i>	<i>O-RING, ROTOR NUT (EPDM) - ZP3 6/15/18</i>	2
46	V70112	O-RING, RETAINER (VITON) - ZP3 6/15/18	2
	<i>N70112</i>	<i>O-RING, RETAINER (BUNA) - ZP3 6/15/18</i>	2
	<i>E70112</i>	<i>O-RING, RETAINER (EPDM) - ZP3 6/15/18</i>	2
47	P2GX101691	BELLEVILLE WASHER, SS - ZP3 6/15/18	2
48	P2SX101804	ROTOR NUT - ZP3 6/15/18	2
49	V70249	O-RING, COVER (VION) - ZP3 6/15/18	2
	<i>N70249</i>	<i>O-RING, COVER (BUNA) - ZP3 6/15/18</i>	2



Exploded View

Optional Items Shown in ITALICS

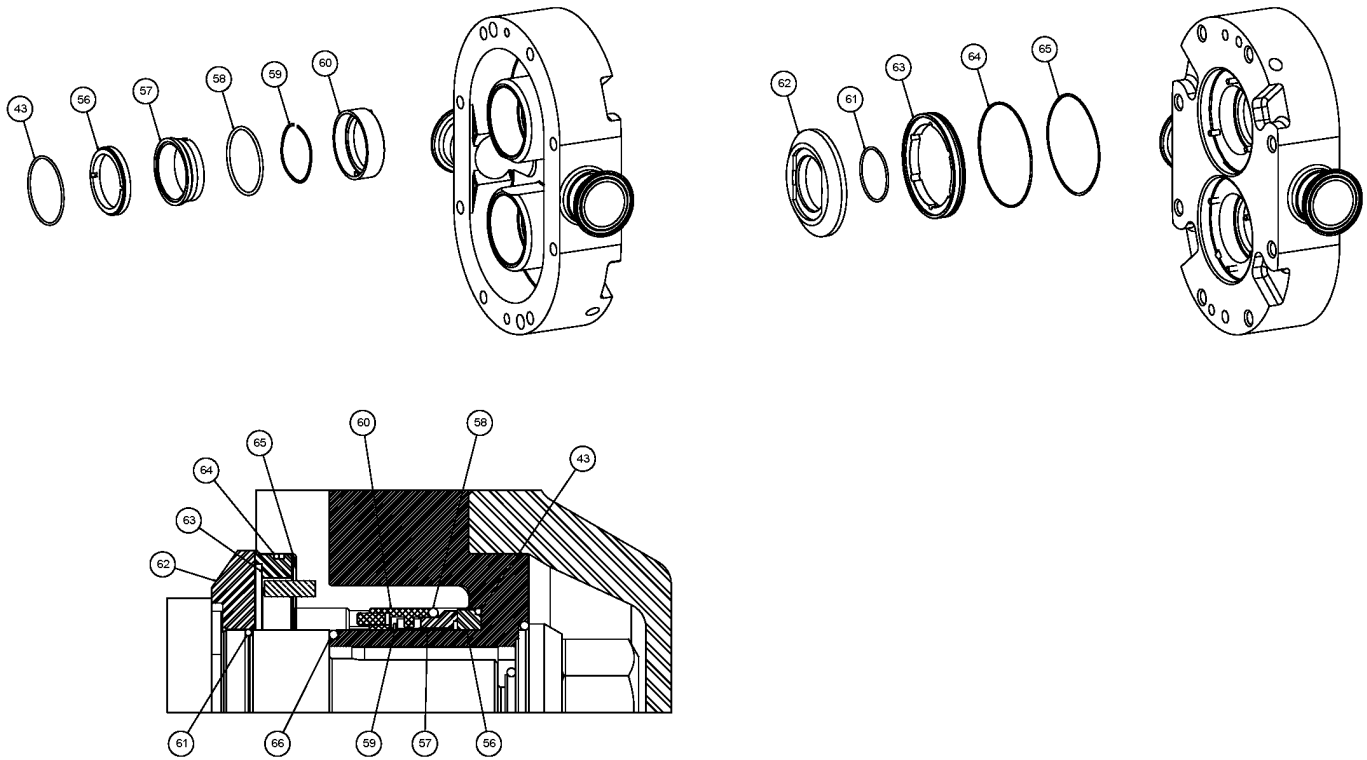
Ref #	Component Item No.	Description	Qty Per
49	<i>E70249</i>	<i>O-RING, COVER (EPDM) - ZP3 6/15/18</i>	2
	<i>SE70249</i>	<i>O-RING, COVER (FEP ENCAPSULATED SILICONE) - ZP3 6/15/18</i>	2
50	P3CVR101842	COVER - ZP3 6/15/18	2
	<i>P3CVR107664</i>	<i>COVER, JACKETED - ZP3 6/15/18</i>	2
51	P1SX108369	COVER HEX NUT - ZP3 6/15/18	2
	<i>P1GX105850</i>	<i>WING NUT - ZP1 6/15/18</i>	2
54	P1GX000CENAIL	DRIVENAIL,ZP,GEAR CASE GUARDS	2
55	P1SX020SPLATE	BEARING RETAINER SPLASH PLATE - ZP3 6/15/18	2
60	P3SX020098000	SEAL SLEEVE, NEW DESIGN - ZP3 6/15/18	2
66	V70121	O-RING, ROTOR HUB (VITON) - ZP3 6/15/18	2
	<i>N70121</i>	<i>O-RING, ROTOR HUB (BUNA) - ZP3 6/15/18</i>	2
	<i>E70121</i>	<i>O-RING, ROTOR HUB (EPDM) - ZP3 6/15/18</i>	2



Single Mechanical Seal

Optional Items Shown in ITALICS

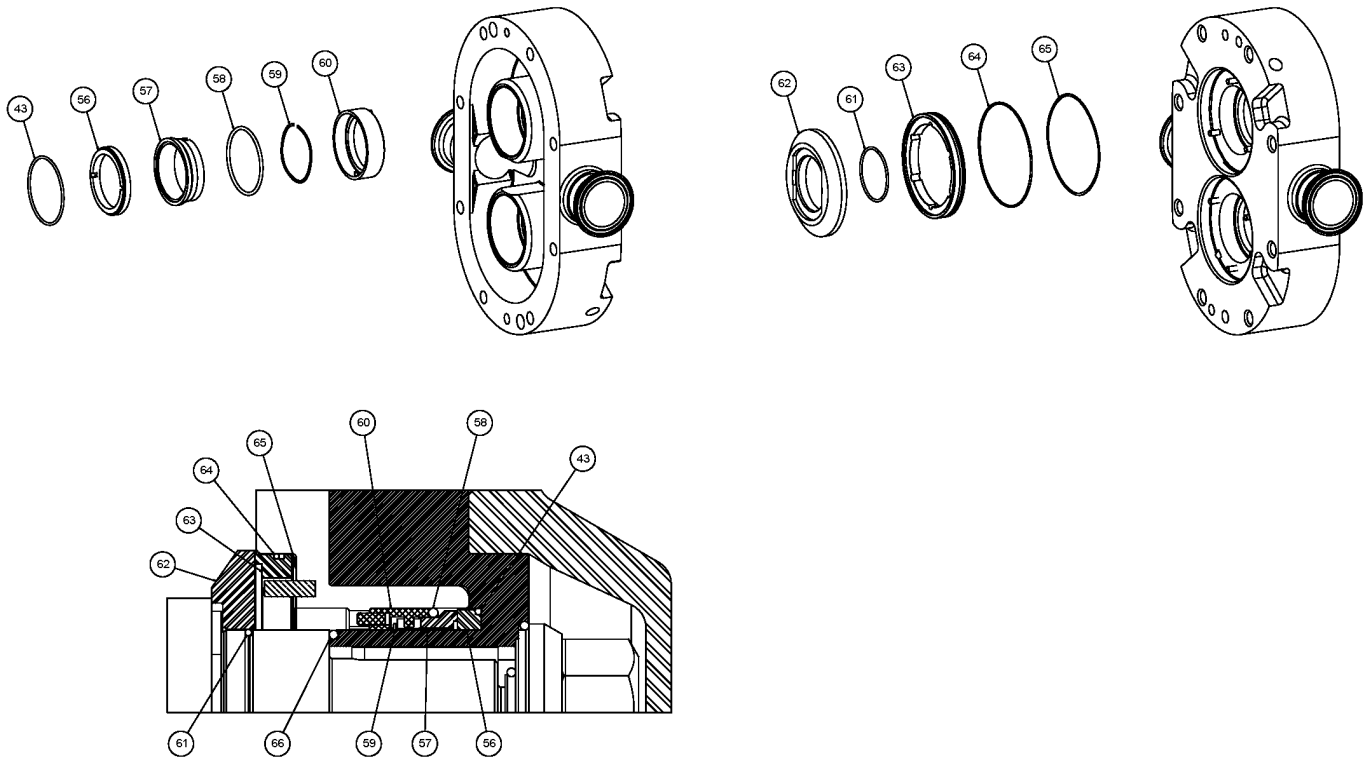
Ref #	Component Item No.	Description	Qty Per
43	V70028	O-RING, ROTOR SEAL FACE (VITON) ZP3 6/15/18	2
	<i>N70028</i>	<i>O-RING, ROTOR SEAL FACE (BUNA) ZP3 6/15/18</i>	<i>2</i>
	<i>E70028</i>	<i>O-RING, ROTOR SEAL FACE (EPDM) ZP3 6/15/18</i>	<i>2</i>
56	P3GS015014009	ROTOR SEAL FACE (C) - ZP3 6/15/18	2
	<i>P3GS015014000</i>	<i>ROTOR SEAL FACE (TC) - ZP3 6/15/18</i>	<i>2</i>
57	P3GS015306000	BODY SEAL FACE (TC) - ZP3 6/15/18	2
58	V70M2X36	O-RING, BODY SEAL FACE (VITON) - ZP3 6/15/18	2
	<i>N70M2X36</i>	<i>O-RING, BODY SEAL FACE (BUNA) - ZP3 6/15/18</i>	<i>2</i>
	<i>E70M2X36</i>	<i>O-RING, BODY SEAL FACE (EPDM) - ZP3 6/15/18</i>	<i>2</i>
59	P3GS015304000	SEAL WAVE SPRING - ZP3 6/15/18	2
60	P3SX020098000	SEAL SLEEVE, NEW DESIGN - ZP3 6/15/18	2



Double Mechanical Seal

Optional Items Shown in ITALICS

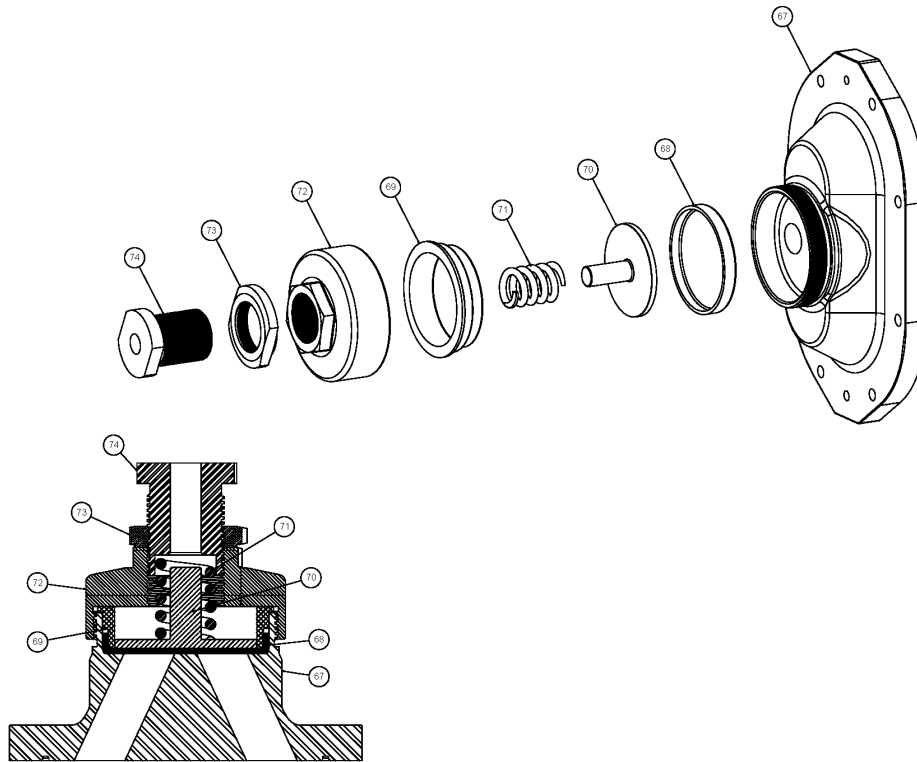
Ref #	Component Item No.	Description	Qty Per
43	V70028	O-RING, ROTOR SEAL FACE (VITON) ZP3 6/15/18	2
	<i>N70028</i>	<i>O-RING, ROTOR SEAL FACE (BUNA) ZP3 6/15/18</i>	2
	<i>E70028</i>	<i>O-RING, ROTOR SEAL FACE (EPDM) ZP3 6/15/18</i>	2
44	P3RTB015010C00	ROTOR TWIN BLADE - ZP3 15 (STD-CIP) - ALLOY 88	2
	<i>P3RTB015010C0H</i>	<i>ROTOR TWIN BLADE - ZP3 15 (STD-CIP) - ALLOY 88 - HOT CLEARANCE</i>	2
45	V70126	O-RING, ROTOR NUT (VITON) - ZP3 6/15/18	2
	<i>N70126</i>	<i>O-RING, ROTOR NUT (BUNA) - ZP3 6/15/18</i>	2
	<i>E70126</i>	<i>O-RING, ROTOR NUT (EPDM) - ZP3 6/15/18</i>	2
46	V70112	O-RING, RETAINER (VITON) - ZP3 6/15/18	2
	<i>N70112</i>	<i>O-RING, RETAINER (BUNA) - ZP3 6/15/18</i>	2
	<i>E70112</i>	<i>O-RING, RETAINER (EPDM) - ZP3 6/15/18</i>	2
47	P2GX101691	BELLEVILLE WASHER, SS - ZP3 6/15/18	2
48	P2SX101804	ROTOR NUT - ZP3 6/15/18	2
49	V70249	O-RING, COVER (VION) - ZP3 6/15/18	2
	<i>N70249</i>	<i>O-RING, COVER (BUNA) - ZP3 6/15/18</i>	2
	<i>E70249</i>	<i>O-RING, COVER (EPDM) - ZP3 6/15/18</i>	2
	<i>SE70249</i>	<i>O-RING, COVER (FEP ENCAPSULATED SILICONE) - ZP3 6/15/18</i>	2
56	P3GS015014009	ROTOR SEAL FACE (C) - ZP3 6/15/18	2
	<i>P3GS015014000</i>	<i>ROTOR SEAL FACE (TC) - ZP3 6/15/18</i>	2
57	P3GS015306000	BODY SEAL FACE (TC) - ZP3 6/15/18	2
58	V70M2X36	O-RING, BODY SEAL FACE (VITON) - ZP3 6/15/18	2
	<i>N70M2X36</i>	<i>O-RING, BODY SEAL FACE (BUNA) - ZP3 6/15/18</i>	2
	<i>E70M2X36</i>	<i>O-RING, BODY SEAL FACE (EPDM) - ZP3 6/15/18</i>	2
59	P3GS015304000	SEAL WAVE SPRING - ZP3 6/15/18	2
60	P3SX020098000	SEAL SLEEVE, NEW DESIGN - ZP3 6/15/18	2
61	V70024	O-RING, SHAFT (VITON) - ZP3 6/15/18	2
	<i>N70024</i>	<i>O-RING, SHAFT (BUNA) - ZP3 6/15/18</i>	2



Double Mechanical Seal

Optional Items Shown in ITALICS

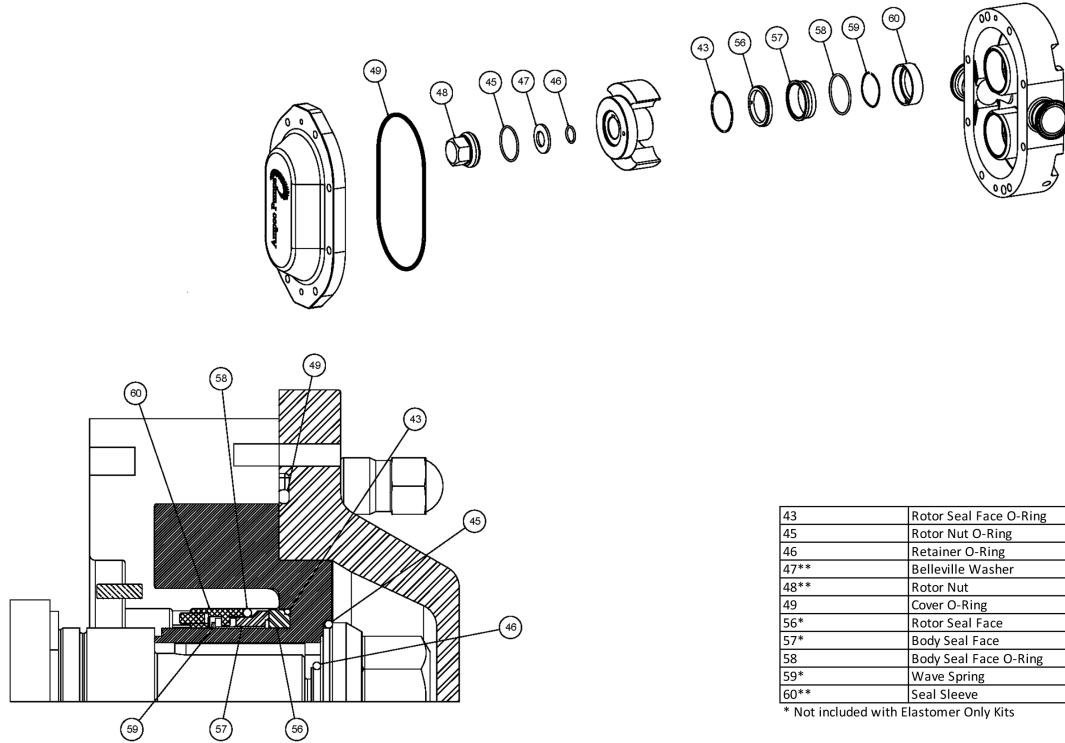
Ref #	Component Item No.	Description	Qty Per
61	<i>E70024</i>	<i>O-RING, SHAFT (EPDM) - ZP3 6/15/18</i>	2
62	P2GS101667	SEAL SEAT (K) - ZP3 6/15/18	2
	<i>P2GS101668</i>	<i>SEAL SEAT (C) - ZP3 6/15/18</i>	2
63	P2GS101679	OUTER SEAL (N) - ZP3 6/15/18	2
64	V70035	O-RING, OUTER SEAL (VITON) - ZP3 6/15/18	2
	<i>N70035</i>	<i>O-RING, OUTER SEAL (BUNA) - ZP3 6/15/18</i>	2
	<i>E70035</i>	<i>O-RING, OUTER SEAL (EPDM) - ZP3 6/15/18</i>	2
65	P2GS101684	OUTER SEAL WAVE SPRING - ZP3 6/15/18	2
66	V70121	O-RING, ROTOR HUB (VITON) - ZP3 6/15/18	2
	<i>N70121</i>	<i>O-RING, ROTOR HUB (BUNA) - ZP3 6/15/18</i>	2
	<i>E70121</i>	<i>O-RING, ROTOR HUB (EPDM) - ZP3 6/15/18</i>	2



Pressure Relief Cover

Optional Items Shown in ITALICS

Ref #	Component Item No.	Description	Qty Per
67	P3CVR103669	VENTED FRONT COVER, ZP3 - 6/15/18	1
68	P1GXAD0078V00	RUBBER DIAPHRAGM, VITON, ZP1 & ZP2 & ZP3 - 6/15/18/30/34/40	1
	<i>P1GXAD0078000</i>	<i>RUBBER DIAPHRAGM, BUNA, ZP1 & ZP2 & ZP3 - 6/15/18/30/34/40</i>	1
	<i>P1GXAD0078EP0</i>	<i>RUBBER DIAPHRAGM, EPDM, ZP1 & ZP2 & ZP3 - 6/15/18/30/34/40</i>	1
69	P1SXAD0077000	DIAPHRAGM BUSHING, ZP1 & ZP2 & ZP3 - 6/15/18/30/34/40	1
70	P1SXAD0073000	SPRING PLUNGER, ZP1 & ZP2 & ZP3 - 6/15/18/30/34/40	1
71	P1SXAD0076000	SPRING, MEDIUM, (LESS THAN 150 PSI), ZP1 & ZP2 & ZP3 - 6/15/18/30/34/40	1
	<i>P1SXABB076100</i>	<i>SPRING, HIGH, (MORE THAN 150 PSI), ZP1 & ZP2 & ZP3 - 6/15/18/30/34/40</i>	1
72	P1SXAD0075000	COVER NUT, ZP1 & ZP2 & ZP3 - 6/15/18/30/34/40	1
73	P1SXAD0074000	LOCKNUT, ZP1 & ZP2 & ZP3 - 6/15/18/30/34/40	1
74	P1SXAD0072000	ADJUSTING SCREW, ZP1 & ZP2 & ZP3 - 6/15/18/30/34/40	1



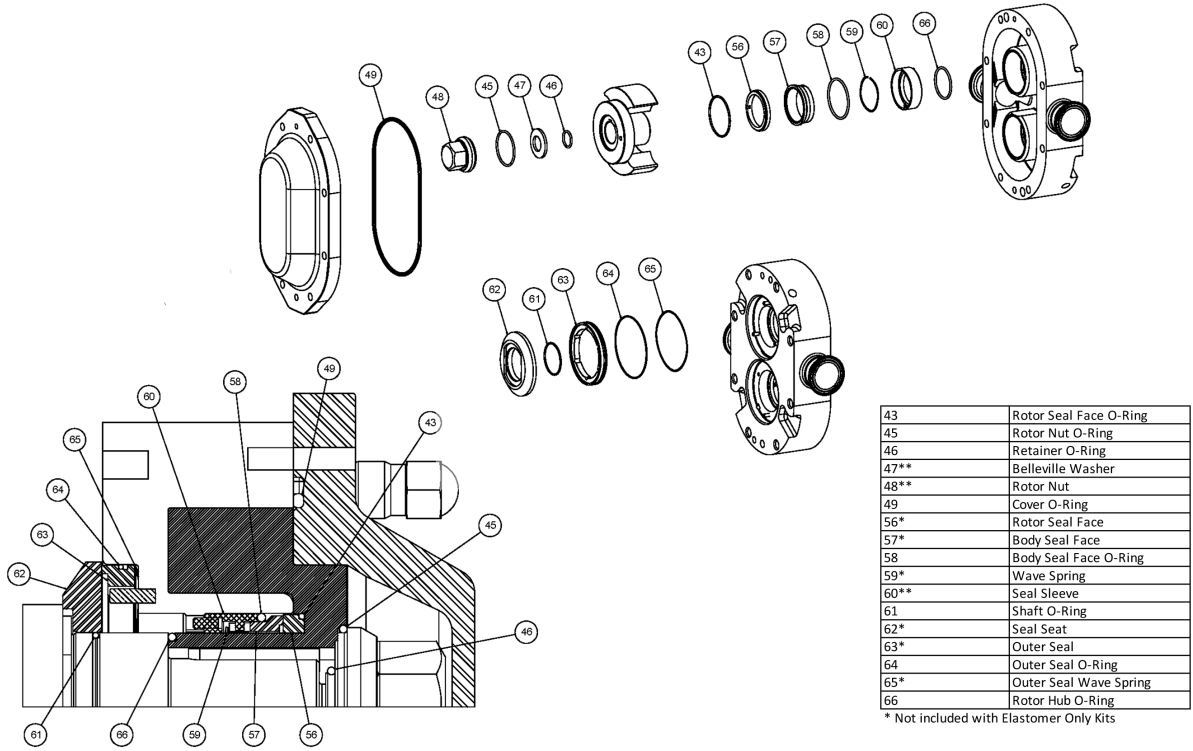
43	Rotor Seal Face O-Ring
45	Rotor Nut O-Ring
46	Retainer O-Ring
47**	Belleville Washer
48**	Rotor Nut
49	Cover O-Ring
56*	Rotor Seal Face
57*	Body Seal Face
58	Body Seal Face O-Ring
59*	Wave Spring
60**	Seal Sleeve

* Not included with Elastomer Only Kits

Single Mechanical Seal Kit

Optional Items Shown in ITALICS

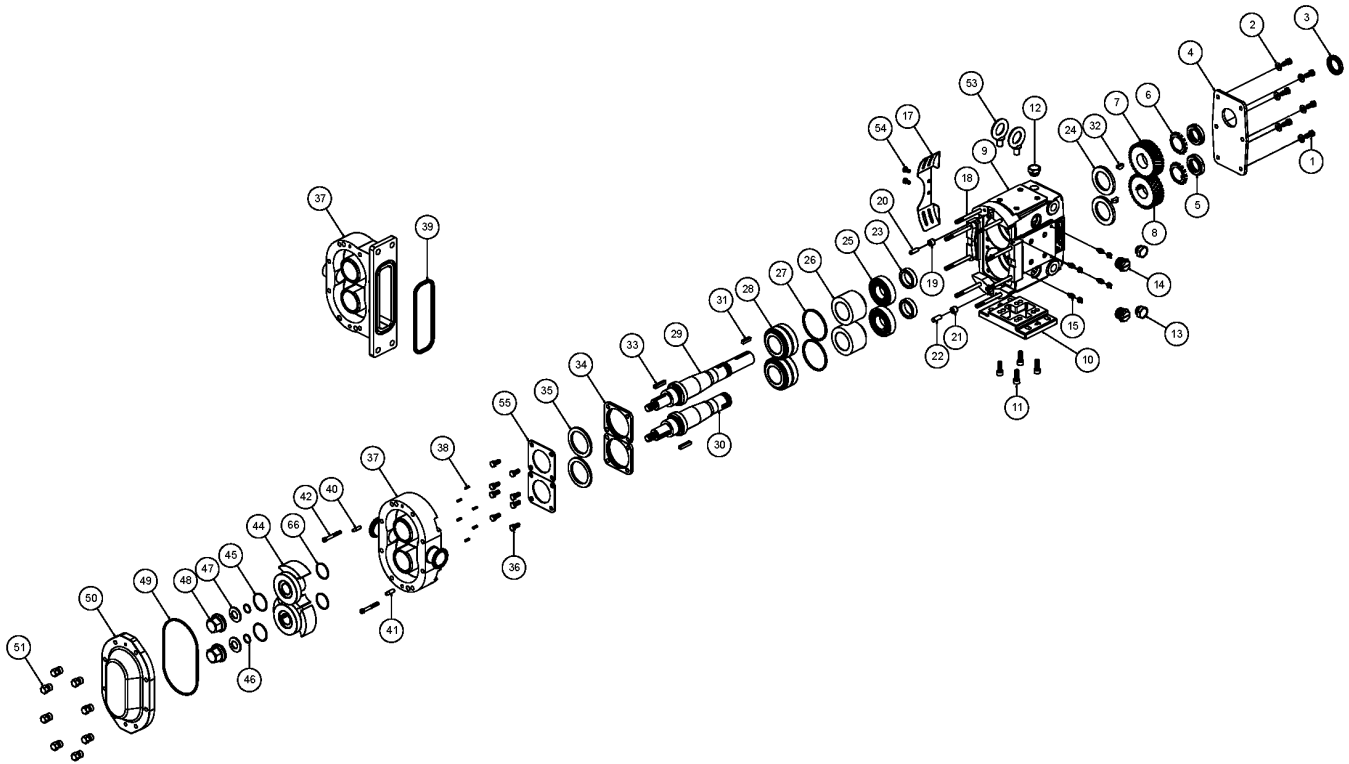
Ref #	Component Item No.	Description	Qty Per
3	P3GS015000-V	SEAL KIT, SGL MECH, TC/SC, VITON - ZP3 6/15/18	1
	<i>P3GS015000-N</i>	<i>SEAL KIT, SGL MECH, TC/SC, BUNA - ZP3 6/15/18</i>	<i>1</i>
	<i>P3GS015000-E</i>	<i>SEAL KIT, SGL MECH, TC/SC, EPDM - ZP3 6/15/18</i>	<i>1</i>
47	P2GX101691	BELLEVILLE WASHER, SS - ZP3 6/15/18	2
48	P2SX101804	ROTOR NUT - ZP3 6/15/18	2
60	P3SX020098000	SEAL SLEEVE, NEW DESIGN - ZP3 6/15/18	2



Double Mechanical Seal Kit

Optional Items Shown in ITALICS

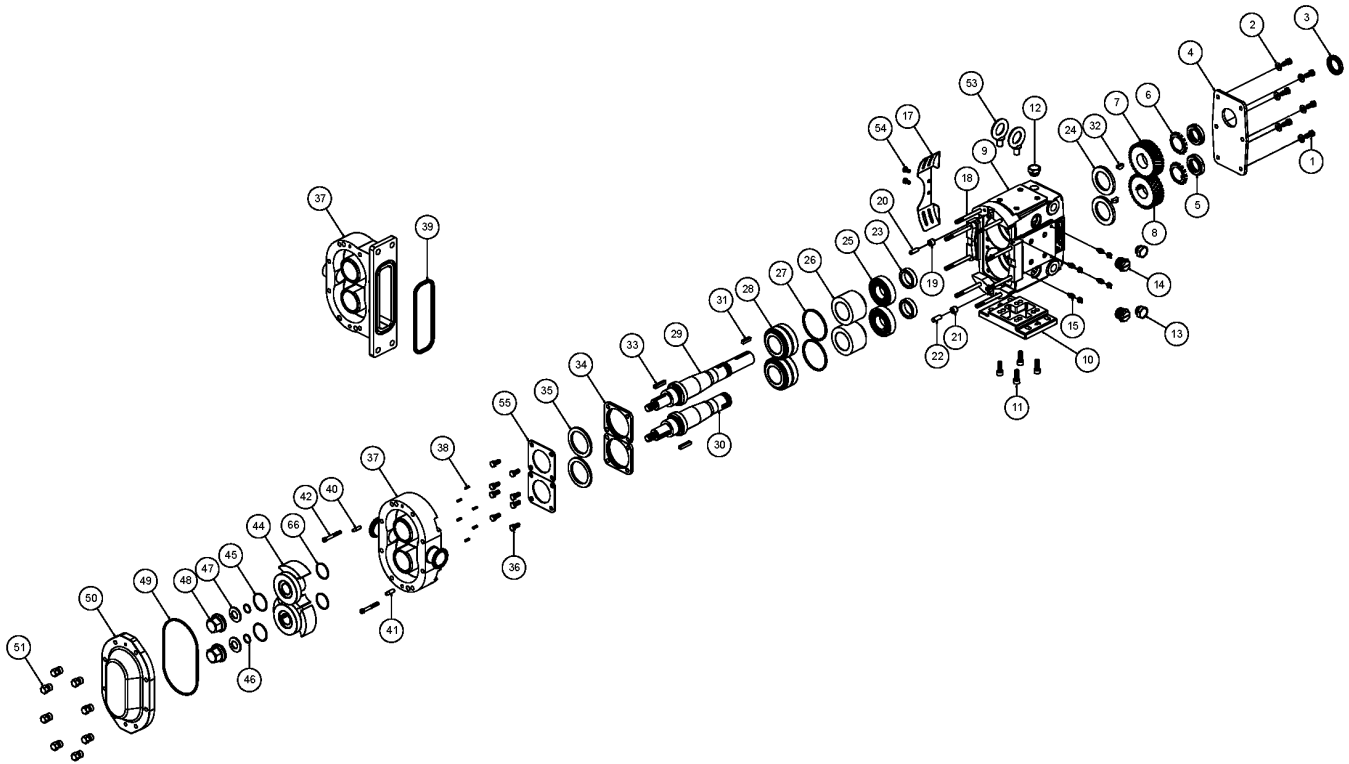
Ref #	Component Item No.	Description	Qty Per
3	P3GS015000-V	SEAL KIT, DBL MECH, TC/SC - CE/CA, VITON - ZP3 6/15/18	1
	<i>P3GS015000-N</i>	<i>SEAL KIT, DBL MECH, TC/SC - CE/CA, BUNA - ZP3 6/15/18</i>	<i>1</i>
	<i>P3GS015000-E</i>	<i>SEAL KIT, DBL MECH, TC/SC - CE/CA, EPDM - ZP3 6/15/18</i>	<i>1</i>
5	P3GS015000-V	SEAL KIT, DBL MECH, TC/SC - SC/CA, VITON - ZP3 6/15/18	1
	<i>P3GS015000-N</i>	<i>SEAL KIT, DBL MECH, TC/SC - SC/CA, BUNA - ZP3 6/15/18</i>	<i>1</i>
	<i>P3GS015000-E</i>	<i>SEAL KIT, DBL MECH, TC/SC - SC/CA, EPDM - ZP3 6/15/18</i>	<i>1</i>
47	P2GX101691	BELLEVILLE WASHER, SS - ZP3 6/15/18	2
48	P2SX101804	ROTOR NUT - ZP3 6/15/18	2
60	P3SX020098000	SEAL SLEEVE, NEW DESIGN - ZP3 6/15/18	2



Exploded View

Optional Items Shown in ITALICS

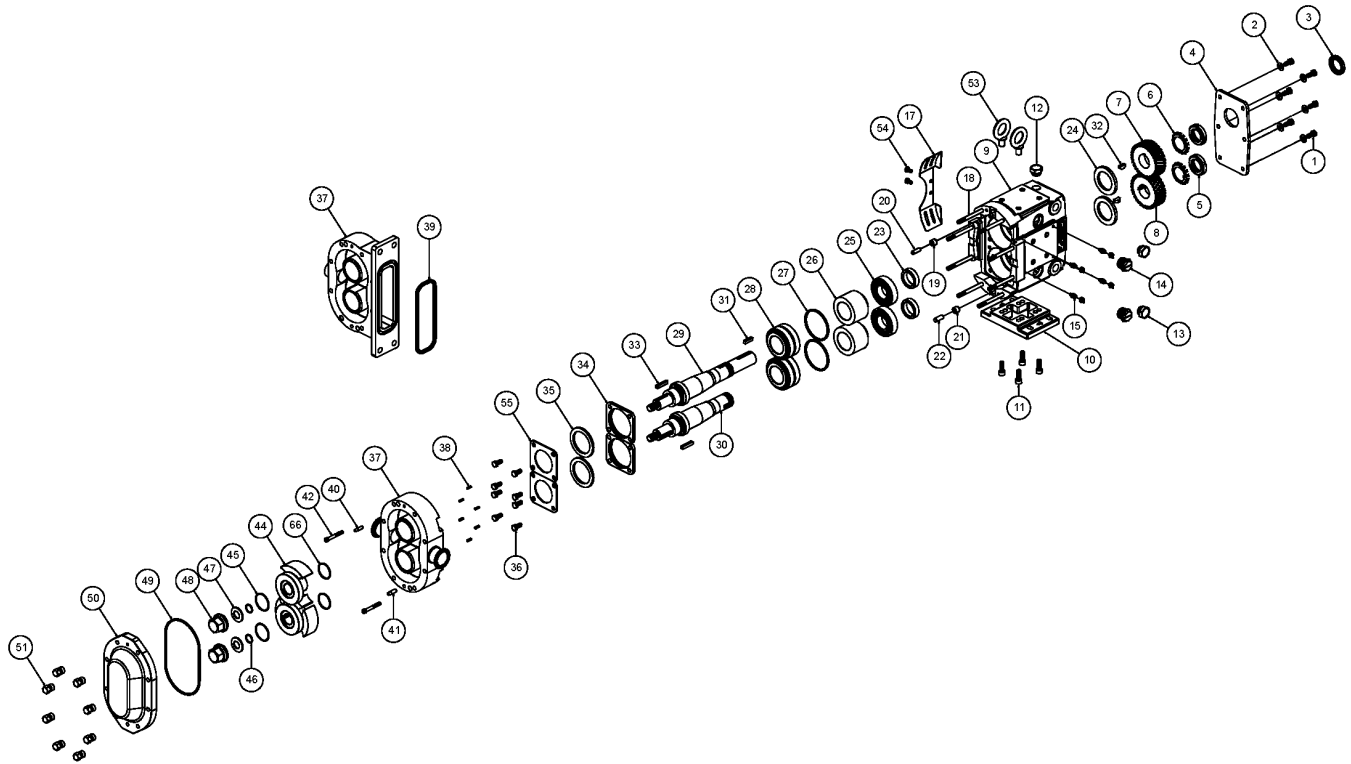
Ref #	Component Item No.	Description	Qty Per
1	P1GX30-58	1/4-20 X 3/4" HHCS, G.CASE COVER, SS - ZP3 6/15/18	6
2	P1GX43-108	FLAT WASHER, G CASE COVER, 1/4 X 5/8 OD, SS - ZP3 6/15/18	6
3	P1GX000030016	OIL SEAL, GEAR CASE COVER - ZP3 6/15/18	1
4	P1SX020106000	GEAR CASE COVER, SS - ZP3 6/15/18	1
5	P1GXSTD236005	GEAR LOCK NUT - ZP3 6/15/18	2
6	P1GXSTD136005	GEAR LOCKWASHER - ZP3 6/15/18	2
7	P1GX015007001	GEAR DRIVE SHAFT - ZP3 6/15/18	1
8	P1GX015007002	GEAR SHORT SHAFT - ZP3 6/15/18	1
9	P1SX020005000	GEAR CASE, SS - ZP3 6/15/18	1
10	P1SX020110000	GEAR CASE BASE, SS - ZP3 6/15/18	1
11	P1GX15SHCSGCB	SHCS, G. CASE BASE, (18-8 SS) 5/16-18 X 3/4 - ZP3 6/15/18	4
12	P1GX115798	PLUG,HEX,20M X1.5,W/NBR SEAL	5
13	P1GX115799	GAUGE,OIL,LVL,INDIC,M-20X1.5	1
14	P1GX20PLUG-SS	CLEANOUT PLUG, SS - ZP 6/15/18	4
15	P1GXBD0092001	GREASE FITTING, THREADED 1/4"-28 TAPER, SS	8
17	P1SX020CEGUARD	GUARD,6-24,(CE),GC,SS	2
18	P2GX101721	STUD, ZP3 18	8
	<i>P1GXAD0011100</i>	<i>STUD, JACKETED COVER, ZP3 18</i>	8
19	P1GXAD0116000	UPPER DOWEL BUSHING - ZP3 6/15/18	1
20	P1GX124581	DOWEL PIN - ZP3 6/15/18	1
21	P1GXAD0116100	LOWER DOWEL BUSHING - ZP3 6/15/18	1
22	P1GX124582	DOWEL PIN - ZP3 6/15/18	1
23	P1GX015055000	GEAR TO REAR BEARING SPACER - ZP3 6/15/18	2
24	P1GX000030017	OIL SEAL, REAR - ZP3 6/15/18	2
25	P1GX015035000	REAR BEARING - ZP3 6/15/18	2
26	P1GX101814	BEARING SPACER - ZP3 6/15/18	2
27	P1GX117889	SHIM KIT - ZP3 6/15/18	2



Exploded View

Optional Items Shown in ITALICS

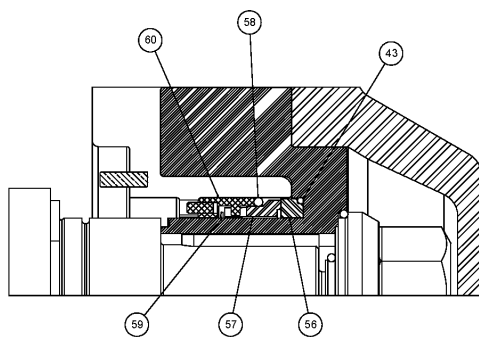
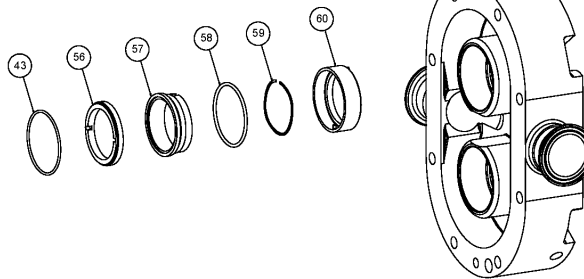
Ref #	Component Item No.	Description	Qty Per
28	P1GX101714	FRONT BEARING - ZP3 6/15/18	2
29	P2SX108407	DRIVE SHAFT (17-4PH) - ZP3 18	1
30	P2SX108408	SHORT SHAFT (17-4PH) - ZP3 18	1
31	P1GX000037001	DRIVE KEY, 3/16 SQ. X 1-1/8" - ZP3 6/15/18	1
32	P1GX015037000	GEAR KEY - ZP3 6/15/18	2
33	P2SX101819	ROTOR KEY - ZP3 18	1
34	P1SX120332	BEARING RETAINER, NEW STYLE 3A - ZP3 6/15/18	2
35	P1GX121679	GREASE SEAL FRONT BEARING RET. 3A - ZP3 6/15/18	2
36	P1GX30-58	CAPSCRW,HX,1/4-20X3/4,18-8SS	8
37	P3BDY018001002	BODY - ZP3 18	1
	<i>P3BDY018001F02</i>	<i>BODY - ZP3 18 - FLUSHED</i>	1
38	P2GX101718	STOP PIN,SEAL - ZP3 6/15/18	6
40	P1GX124581	DOWEL PIN - ZP3 6/15/18	1
41	P1GX124582	DOWEL PIN - ZP3 6/15/18	1
42	P1GX18RETSCREW	1/4-20 X 1 1/2" SHCS (18-8 SS) - ZP3 18	2
44	P3RTB018010C00	ROTOR TWIN BLADE - ZP3 18 (STD-CIP) - ALLOY 88	2
	<i>P3RTB018010C0H</i>	<i>ROTOR TWIN BLADE - ZP3 18 (STD-CIP) - ALLOY 88 - HOT CLEARANCE</i>	2
	<i>P3RTB0180102C0</i>	<i>ROTOR TWIN BLADE - ZP3 18 (STD-CIP) - 316L</i>	2
45	V70126	O-RING, ROTOR NUT (VITON) - ZP3 6/15/18	2
	<i>N70126</i>	<i>O-RING, ROTOR NUT (BUNA) - ZP3 6/15/18</i>	2
	<i>E70126</i>	<i>O-RING, ROTOR NUT (EPDM) - ZP3 6/15/18</i>	2
46	V70112	O-RING, RETAINER (VITON) - ZP3 6/15/18	2
	<i>N70112</i>	<i>O-RING, RETAINER (BUNA) - ZP3 6/15/18</i>	2
	<i>E70112</i>	<i>O-RING, RETAINER (EPDM) - ZP3 6/15/18</i>	2
47	P2GX101691	BELLEVILLE WASHER, SS - ZP3 6/15/18	2
48	P2SX101804	ROTOR NUT - ZP3 6/15/18	2
49	V70249	O-RING, COVER (VION) - ZP3 6/15/18	2



Exploded View

Optional Items Shown in ITALICS

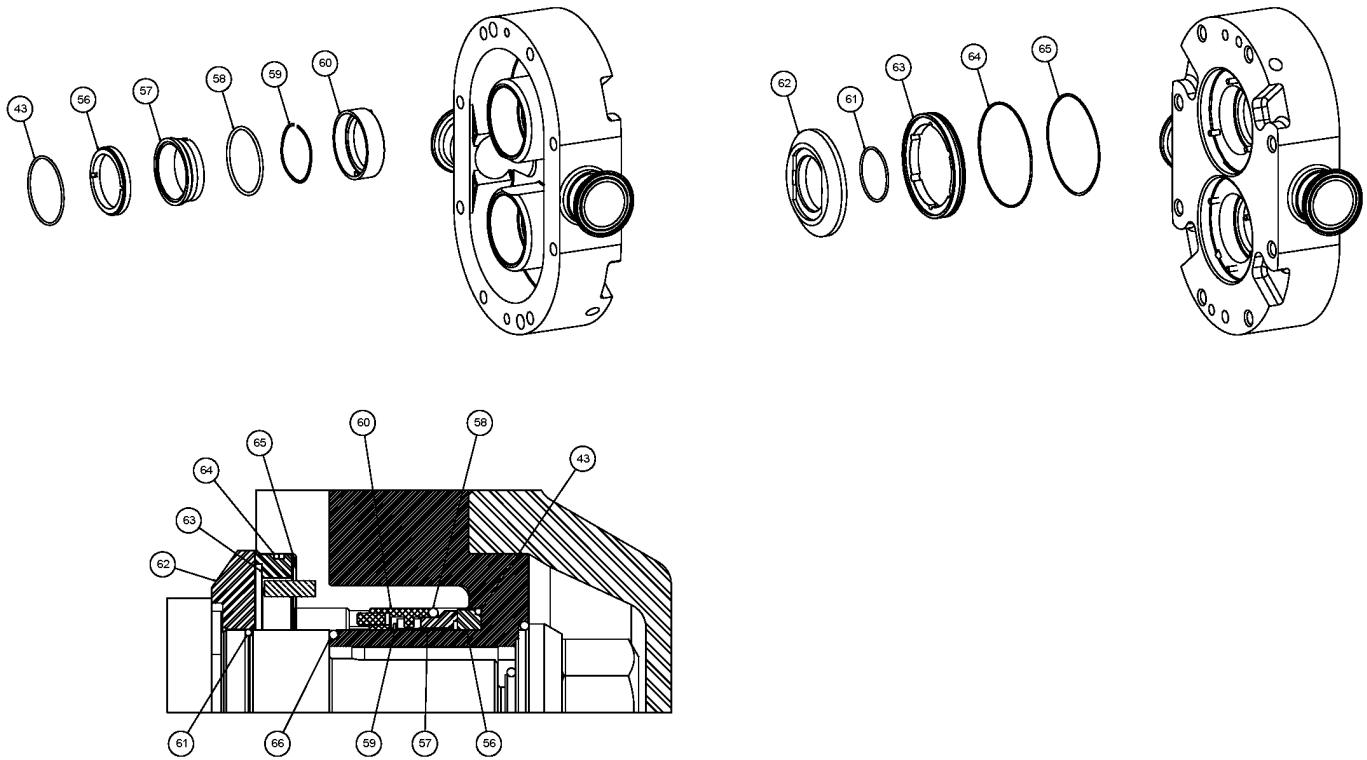
Ref #	Component Item No.	Description	Qty Per
49	<i>N70249</i>	<i>O-RING, COVER (BUNA) - ZP3 6/15/18</i>	2
	<i>E70249</i>	<i>O-RING, COVER (EPDM) - ZP3 6/15/18</i>	2
	<i>SE70249</i>	<i>O-RING, COVER (FEP ENCAPSULATED SILICONE) - ZP3 6/15/18</i>	2
50	P3CVR101842	COVER - ZP3 6/15/18	2
	<i>P3CVR107664</i>	<i>COVER, JACKETED - ZP3 6/15/18</i>	2
51	P1SX108369	COVER HEX NUT - ZP3 6/15/18	2
	<i>P1GX105850</i>	<i>WING NUT - ZP1 6/15/18</i>	2
54	P1GX000CENAIL	DRIVENAIL,ZP,GEAR CASE GUARDS	2
55	P1SX020SPLATE	BEARING RETAINER SPLASH PLATE - ZP3 6/15/18	2
60	P3SX020098000	SEAL SLEEVE, NEW DESIGN - ZP3 6/15/18	2
66	V70121	O-RING, ROTOR HUB (VITON) - ZP3 6/15/18	2
	<i>N70121</i>	<i>O-RING, ROTOR HUB (BUNA) - ZP3 6/15/18</i>	2
	<i>E70121</i>	<i>O-RING, ROTOR HUB (EPDM) - ZP3 6/15/18</i>	2



Single Mechanical Seal

Optional Items Shown in ITALICS

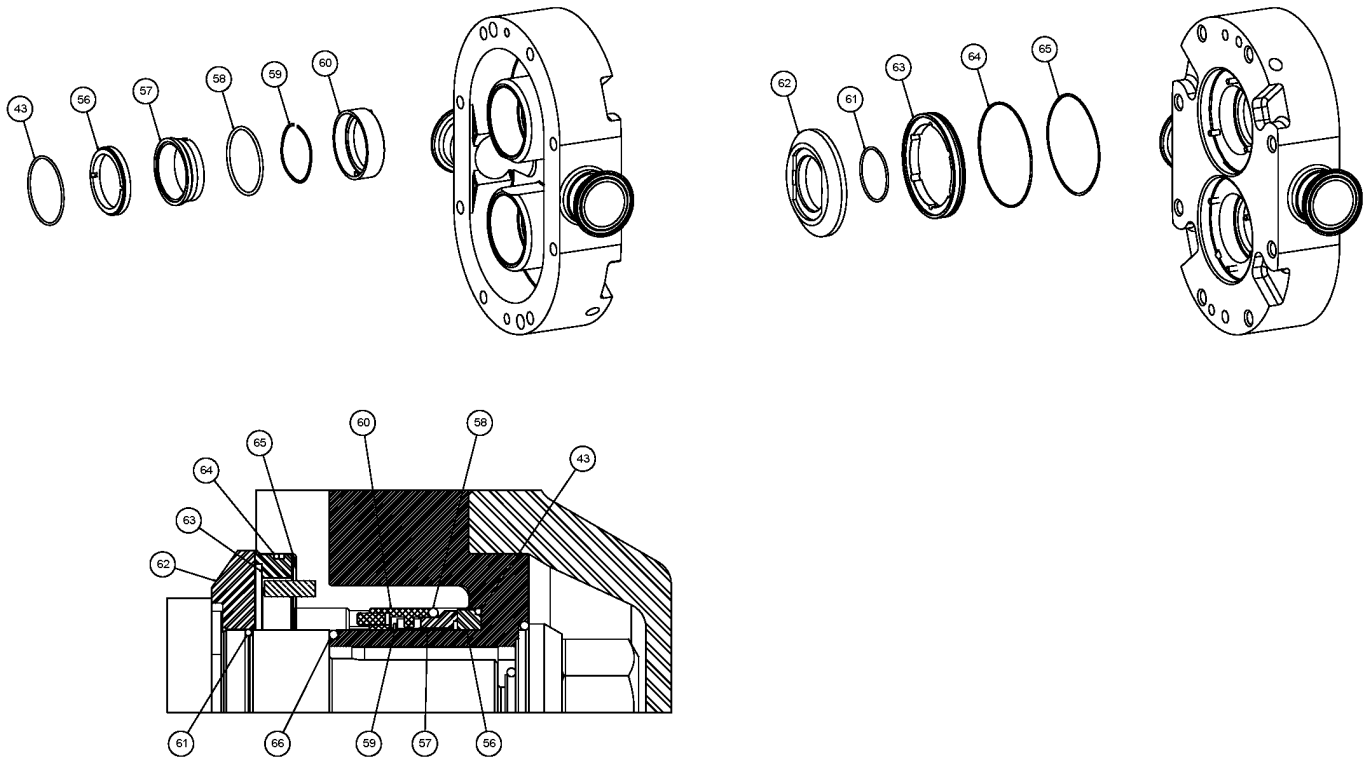
Ref #	Component Item No.	Description	Qty Per
43	V70028	O-RING, ROTOR SEAL FACE (VITON) ZP3 6/15/18	2
	<i>N70028</i>	<i>O-RING, ROTOR SEAL FACE (BUNA) ZP3 6/15/18</i>	<i>2</i>
	<i>E70028</i>	<i>O-RING, ROTOR SEAL FACE (EPDM) ZP3 6/15/18</i>	<i>2</i>
56	P3GS015014009	ROTOR SEAL FACE (C) - ZP3 6/15/18	2
	<i>P3GS015014000</i>	<i>ROTOR SEAL FACE (TC) - ZP3 6/15/18</i>	<i>2</i>
57	P3GS015306000	BODY SEAL FACE (TC) - ZP3 6/15/18	2
58	V70M2X36	O-RING, BODY SEAL FACE (VITON) - ZP3 6/15/18	2
	<i>N70M2X36</i>	<i>O-RING, BODY SEAL FACE (BUNA) - ZP3 6/15/18</i>	<i>2</i>
	<i>E70M2X36</i>	<i>O-RING, BODY SEAL FACE (EPDM) - ZP3 6/15/18</i>	<i>2</i>
59	P3GS015304000	SEAL WAVE SPRING - ZP3 6/15/18	2
60	P3SX020098000	SEAL SLEEVE, NEW DESIGN - ZP3 6/15/18	2



Double Mechanical Seal

Optional Items Shown in ITALICS

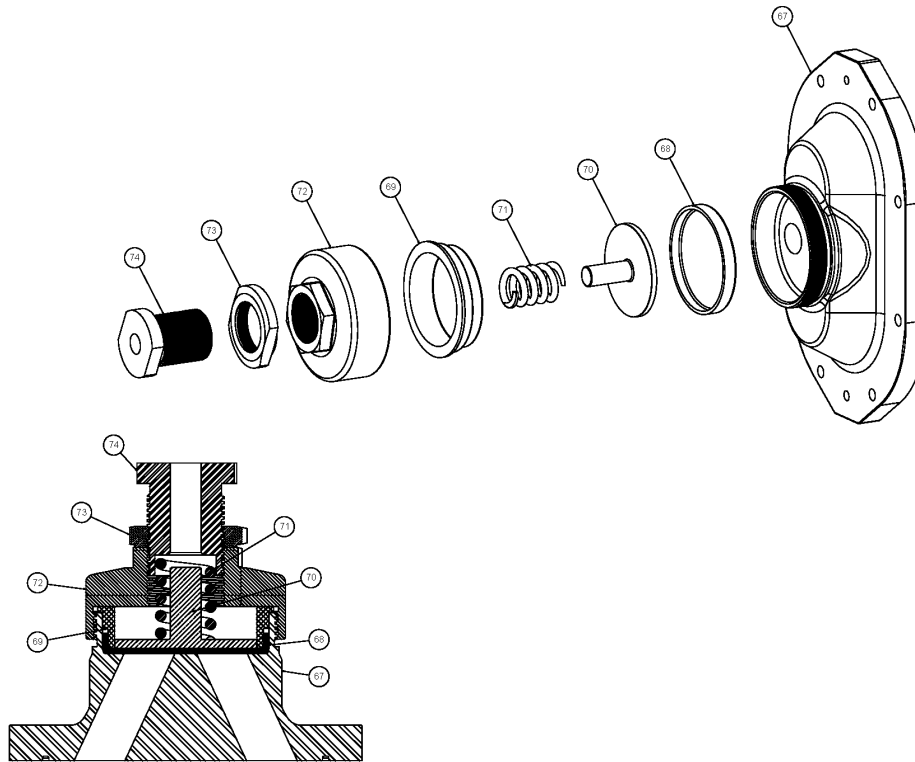
Ref #	Component Item No.	Description	Qty Per
43	V70028	O-RING, ROTOR SEAL FACE (VITON) ZP3 6/15/18	2
	<i>N70028</i>	<i>O-RING, ROTOR SEAL FACE (BUNA) ZP3 6/15/18</i>	2
	<i>E70028</i>	<i>O-RING, ROTOR SEAL FACE (EPDM) ZP3 6/15/18</i>	2
44	P3RTB018010C00	ROTOR TWIN BLADE - ZP3 18 (STD-CIP) - ALLOY 88	2
	<i>P3RTB018010C0H</i>	<i>ROTOR TWIN BLADE - ZP3 18 (STD-CIP) - ALLOY 88 - HOT CLEARANCE</i>	2
	<i>P3RTB0180102C0</i>	<i>ROTOR TWIN BLADE - ZP3 18 (STD-CIP) - 316L</i>	2
45	V70126	O-RING, ROTOR NUT (VITON) - ZP3 6/15/18	2
	<i>N70126</i>	<i>O-RING, ROTOR NUT (BUNA) - ZP3 6/15/18</i>	2
	<i>E70126</i>	<i>O-RING, ROTOR NUT (EPDM) - ZP3 6/15/18</i>	2
46	V70112	O-RING, RETAINER (VITON) - ZP3 6/15/18	2
	<i>N70112</i>	<i>O-RING, RETAINER (BUNA) - ZP3 6/15/18</i>	2
	<i>E70112</i>	<i>O-RING, RETAINER (EPDM) - ZP3 6/15/18</i>	2
47	P2GX101691	BELLEVILLE WASHER, SS - ZP3 6/15/18	2
48	P2SX101804	ROTOR NUT - ZP3 6/15/18	2
49	V70249	O-RING, COVER (VION) - ZP3 6/15/18	2
	<i>N70249</i>	<i>O-RING, COVER (BUNA) - ZP3 6/15/18</i>	2
	<i>E70249</i>	<i>O-RING, COVER (EPDM) - ZP3 6/15/18</i>	2
	<i>SE70249</i>	<i>O-RING, COVER (FEP ENCAPSULATED SILICONE) - ZP3 6/15/18</i>	2
56	P3GS015014009	ROTOR SEAL FACE (C) - ZP3 6/15/18	2
	<i>P3GS015014000</i>	<i>ROTOR SEAL FACE (TC) - ZP3 6/15/18</i>	2
57	P3GS015306000	BODY SEAL FACE (TC) - ZP3 6/15/18	2
58	V70M2X36	O-RING, BODY SEAL FACE (VITON) - ZP3 6/15/18	2
	<i>N70M2X36</i>	<i>O-RING, BODY SEAL FACE (BUNA) - ZP3 6/15/18</i>	2
	<i>E70M2X36</i>	<i>O-RING, BODY SEAL FACE (EPDM) - ZP3 6/15/18</i>	2
59	P3GS015304000	SEAL WAVE SPRING - ZP3 6/15/18	2
60	P3SX020098000	SEAL SLEEVE, NEW DESIGN - ZP3 6/15/18	2
61	V70024	O-RING, SHAFT (VITON) - ZP3 6/15/18	2



Double Mechanical Seal

Optional Items Shown in ITALICS

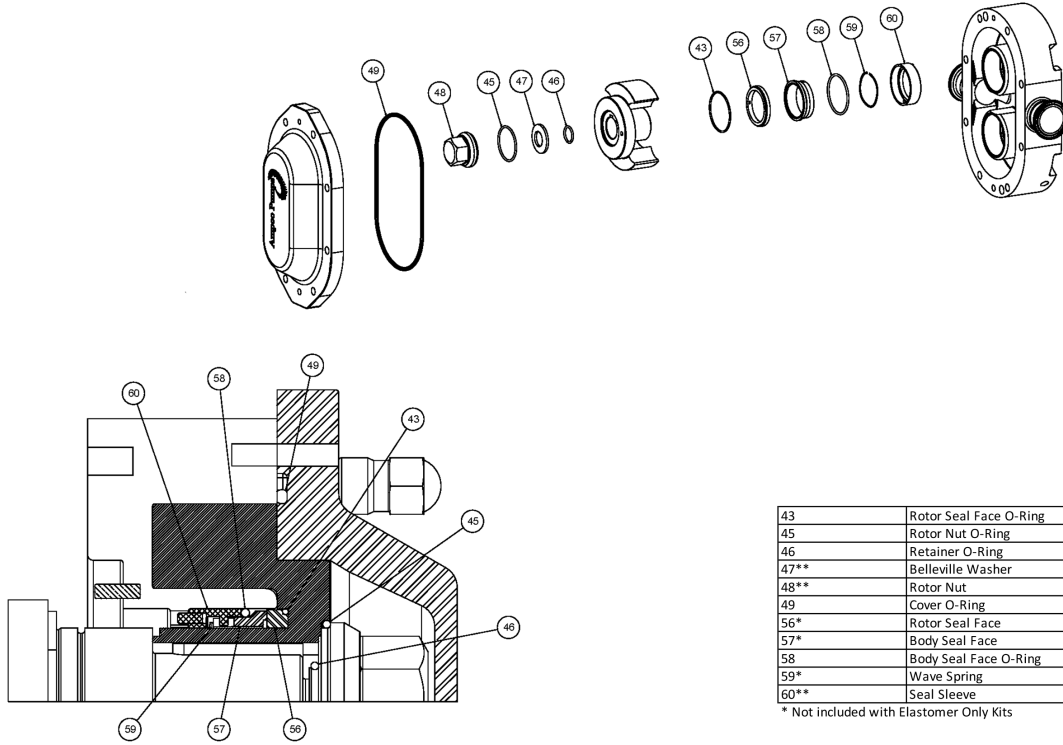
Ref #	Component Item No.	Description	Qty Per
61	<i>N70024</i>	<i>O-RING, SHAFT (BUNA) - ZP3 6/15/18</i>	2
	<i>E70024</i>	<i>O-RING, SHAFT (EPDM) - ZP3 6/15/18</i>	2
62	P2GS101667	SEAL SEAT (K) - ZP3 6/15/18	2
	<i>P2GS101668</i>	<i>SEAL SEAT (C) - ZP3 6/15/18</i>	2
63	P2GS101679	OUTER SEAL (N) - ZP3 6/15/18	2
64	V70035	O-RING, OUTER SEAL (VITON) - ZP3 6/15/18	2
	<i>N70035</i>	<i>O-RING, OUTER SEAL (BUNA) - ZP3 6/15/18</i>	2
	<i>E70035</i>	<i>O-RING, OUTER SEAL (EPDM) - ZP3 6/15/18</i>	2
65	P2GS101684	OUTER SEAL WAVE SPRING - ZP3 6/15/18	2
66	V70121	O-RING, ROTOR HUB (VITON) - ZP3 6/15/18	2
	<i>N70121</i>	<i>O-RING, ROTOR HUB (BUNA) - ZP3 6/15/18</i>	2
	<i>E70121</i>	<i>O-RING, ROTOR HUB (EPDM) - ZP3 6/15/18</i>	2



Pressure Relief Cover

Optional Items Shown in ITALICS

Ref #	Component Item No.	Description	Qty Per
67	P3CVR103669	VENTED FRONT COVER, ZP3 - 6/15/18	1
68	P1GXAD0078V00	RUBBER DIAPHRAGM, VITON, ZP1 & ZP2 & ZP3 - 6/15/18/30/34/40	1
	<i>P1GXAD0078000</i>	<i>RUBBER DIAPHRAGM, BUNA, ZP1 & ZP2 & ZP3 - 6/15/18/30/34/40</i>	1
	<i>P1GXAD0078EP0</i>	<i>RUBBER DIAPHRAGM, EPDM, ZP1 & ZP2 & ZP3 - 6/15/18/30/34/40</i>	1
69	P1SXAD0077000	DIAPHRAGM BUSHING, ZP1 & ZP2 & ZP3 - 6/15/18/30/34/40	1
70	P1SXAD0073000	SPRING PLUNGER, ZP1 & ZP2 & ZP3 - 6/15/18/30/34/40	1
71	P1SXAD0076000	SPRING, MEDIUM, (LESS THAN 150 PSI), ZP1 & ZP2 & ZP3 - 6/15/18/30/34/40	1
	<i>P1SXABB076100</i>	<i>SPRING, HIGH, (MORE THAN 150 PSI), ZP1 & ZP2 & ZP3 - 6/15/18/30/34/40</i>	1
72	P1SXAD0075000	COVER NUT, ZP1 & ZP2 & ZP3 - 6/15/18/30/34/40	1
73	P1SXAD0074000	LOCKNUT, ZP1 & ZP2 & ZP3 - 6/15/18/30/34/40	1
74	P1SXAD0072000	ADJUSTING SCREW, ZP1 & ZP2 & ZP3 - 6/15/18/30/34/40	1



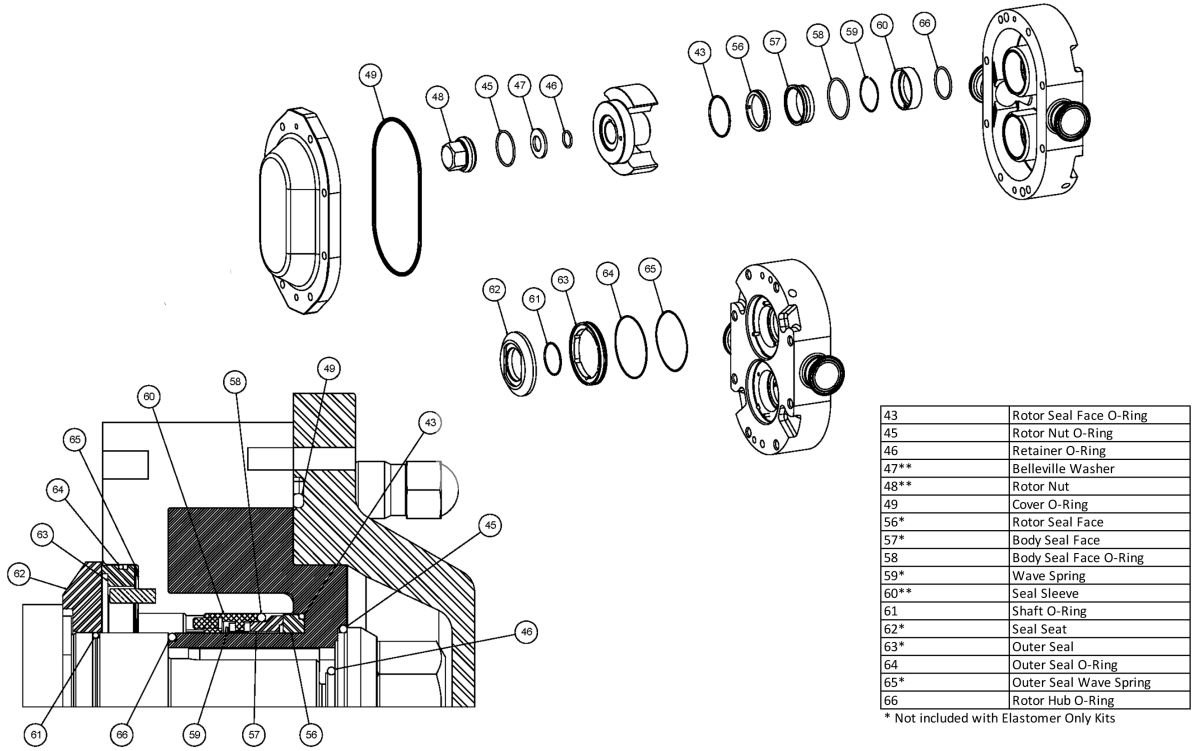
43	Rotor Seal Face O-Ring
45	Rotor Nut O-Ring
46	Retainer O-Ring
47**	Belleville Washer
48**	Rotor Nut
49	Cover O-Ring
56*	Rotor Seal Face
57*	Body Seal Face
58	Body Seal Face O-Ring
59*	Wave Spring
60**	Seal Sleeve

* Not included with Elastomer Only Kits

Single Mechanical Seal Kit

Optional Items Shown in ITALICS

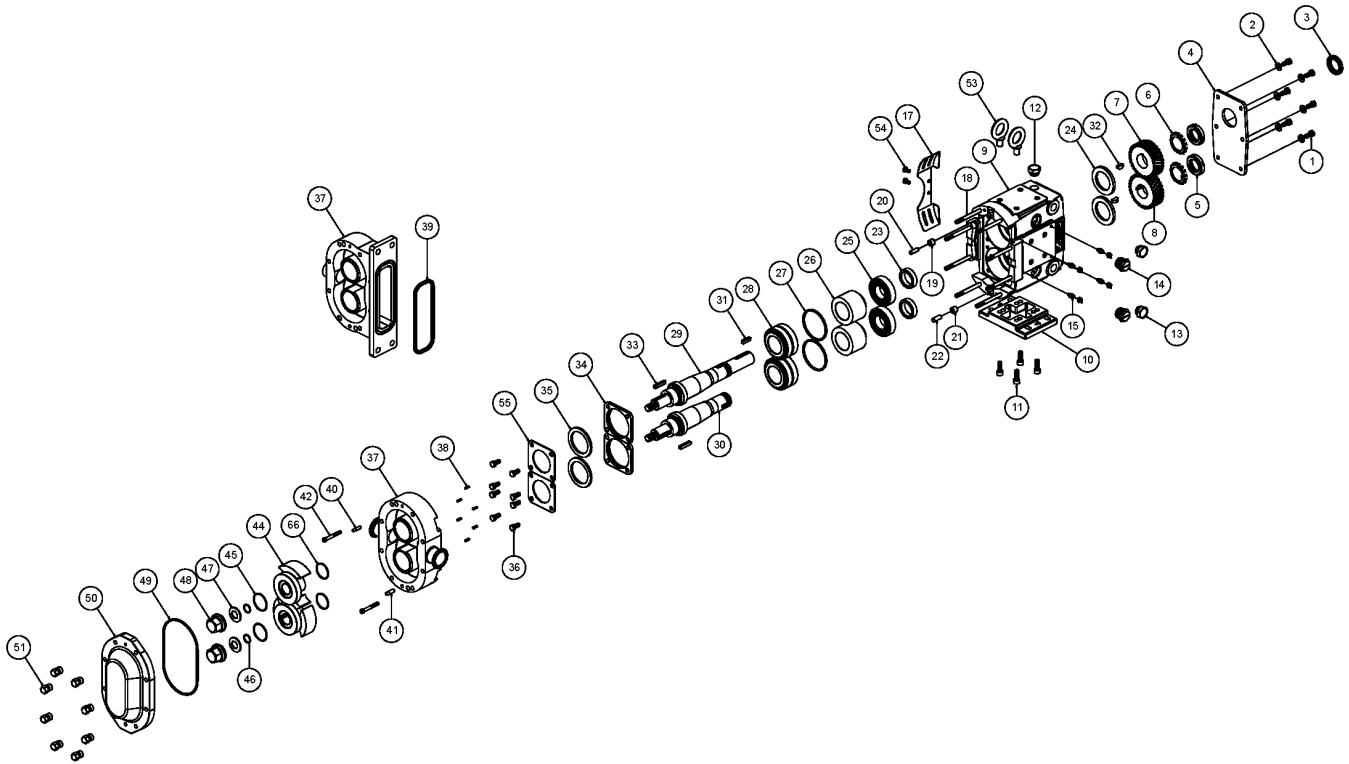
Ref #	Component Item No.	Description	Qty Per
3	P3GS015000-V	SEAL KIT, SGL MECH, TC/SC, VITON - ZP3 6/15/18	1
	<i>P3GS015000-N</i>	<i>SEAL KIT, SGL MECH, TC/SC, BUNA - ZP3 6/15/18</i>	<i>1</i>
	<i>P3GS015000-E</i>	<i>SEAL KIT, SGL MECH, TC/SC, EPDM - ZP3 6/15/18</i>	<i>1</i>
47	P2GX101691	BELLEVILLE WASHER, SS - ZP3 6/15/18	2
48	P2SX101804	ROTOR NUT - ZP3 6/15/18	2
60	P3SX020098000	SEAL SLEEVE, NEW DESIGN - ZP3 6/15/18	2



Double Mechanical Seal Kit

Optional Items Shown in ITALICS

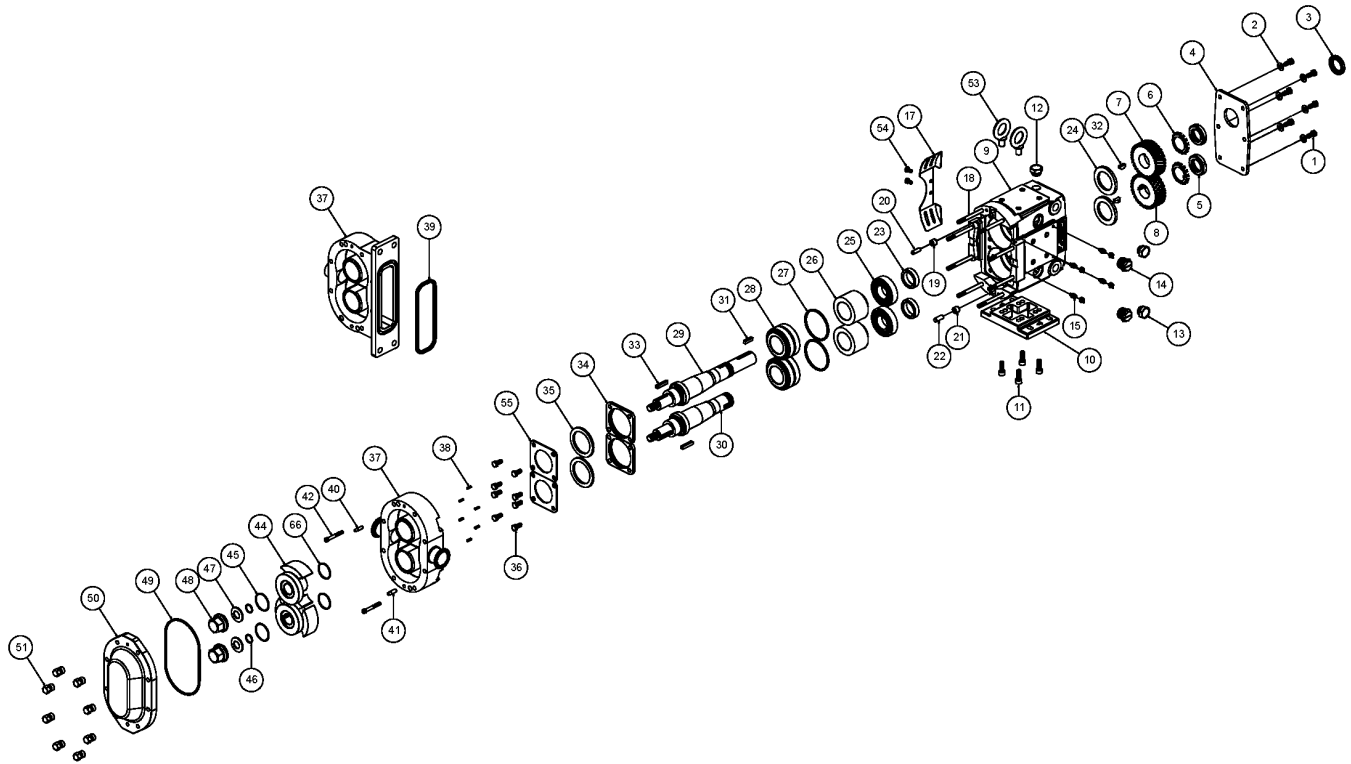
Ref #	Component Item No.	Description	Qty Per
3	P3GS015000-V	SEAL KIT, DBL MECH, TC/SC - CE/CA, VITON - ZP3 6/15/18	1
	<i>P3GS015000-N</i>	<i>SEAL KIT, DBL MECH, TC/SC - CE/CA, BUNA - ZP3 6/15/18</i>	<i>1</i>
	<i>P3GS015000-E</i>	<i>SEAL KIT, DBL MECH, TC/SC - CE/CA, EPDM - ZP3 6/15/18</i>	<i>1</i>
5	P3GS015000-V	SEAL KIT, DBL MECH, TC/SC - SC/CA, VITON - ZP3 6/15/18	1
	<i>P3GS015000-N</i>	<i>SEAL KIT, DBL MECH, TC/SC - SC/CA, BUNA - ZP3 6/15/18</i>	<i>1</i>
	<i>P3GS015000-E</i>	<i>SEAL KIT, DBL MECH, TC/SC - SC/CA, EPDM - ZP3 6/15/18</i>	<i>1</i>
47	P2GX101691	BELLEVILLE WASHER, SS - ZP3 6/15/18	2
48	P2SX101804	ROTOR NUT - ZP3 6/15/18	2
60	P3SX020098000	SEAL SLEEVE, NEW DESIGN - ZP3 6/15/18	2



Exploded View

Optional Items Shown in ITALICS

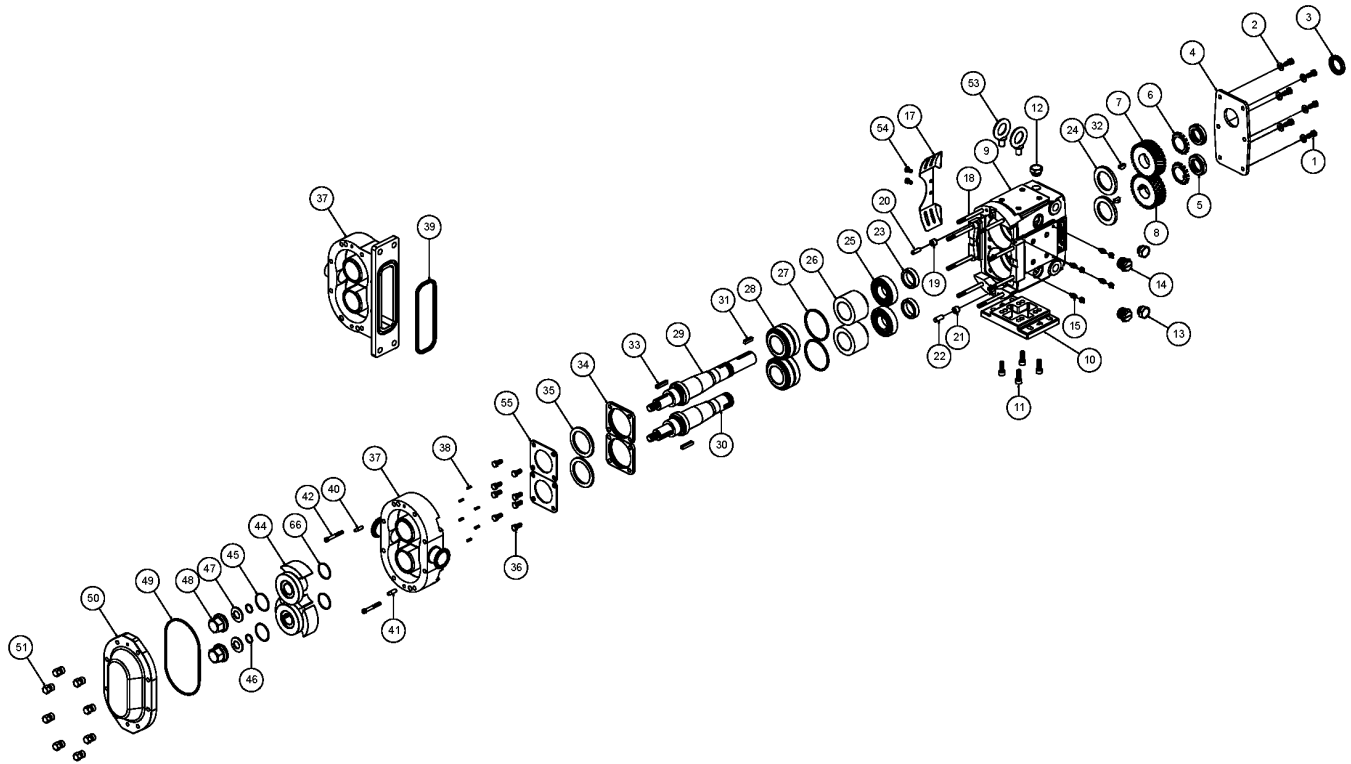
Ref #	Component Item No.	Description	Qty Per
1	P1GX30-58	1/4-20 X 3/4" HHCS, G.CASE COVER, SS - ZP3 30/34/40	6
2	P1GX43-108	FLAT WASHER, G CASE COVER, 1/4 X 5/8 OD, SS - ZP3 30/34/40	6
3	P1GX000030013	OIL SEAL, GEAR CASE COVER - ZP3 30/34/40	1
4	P1SX040106000	GEAR CASE COVER, SS - ZP3 30/34/40	1
5	P1GXCD0036N00	GEAR LOCKNUT - ZP3 30/34/40	2
6	P1GXCD0036W00	GEAR LOCKWASHER - ZP3 30/34/40	2
7	P1GX030007001	GEAR DRIVE SHAFT - ZP3 30/34/40	1
8	P1GX030007002	GEAR SHORT SHAFT - ZP3 30/34/40	1
9	P1SX040005000	GEAR CASE, SS - ZP3 30/34/40	1
10	P1SX040110000	GEAR CASE BASE, SS - ZP3 30/34/40	1
11	P1GX30SHCSGCB	SHCS, G. CASE BASE, (18-8 SS) 3/8-16 X 1 - ZP3 30/34/40	4
12	P1GX115798	PLUG,HEX,20M X1.5,W/NBR SEAL	5
13	P1GX115799	GAUGE,OIL,LVL,INDIC,M-20X1.5	1
14	P1GX70PLUG-SS	CLEAN OUT PLUG, SS - ZP3 30/34/40	4
15	P1GXBD0092001	GREASE FITTING, THREADED 1/4"-28 TAPER, SS	8
17	P1SX040CEGUARD	GUARD,30/34,(CE),GC,,SS	2
18	P1GX108842	STUD, ZP3 30	8
	<i>P1GX108845</i>	<i>STUD, JACKETED COVER, ZP3 30</i>	8
19	P1GXBD0116000	UPPER DOWEL BUSHING - ZP3 30/34/40	1
20	P1GX124582	DOWEL PIN - ZP3 30/34/40	1
21	P1GXBD0116100	LOWER DOWEL BUSHING - ZP3 30/34/40	1
22	P1GX124583	DOWEL PIN - ZP3 30/34/40	1
23	P1GX030055000	GEAR TO REAR BEARING SPACER - ZP3 30/34/40	2
24	P1GX000030014	OIL SEAL, REAR - ZP3 30/34/40	2
25	P1GX030035000	REAR BEARING - ZP3 30/34/40	2
26	P1GX101815	BEARING SPACER - ZP3 30/34/40	2
27	P1GX117890	SHIM KIT - ZP3 30/34/40	2



Exploded View

Optional Items Shown in ITALICS

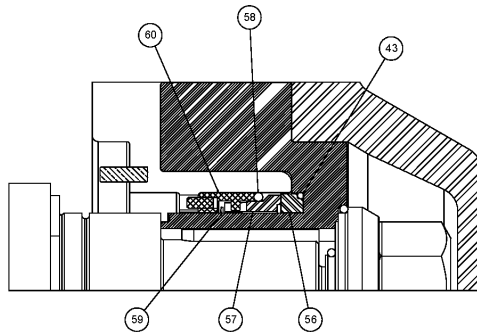
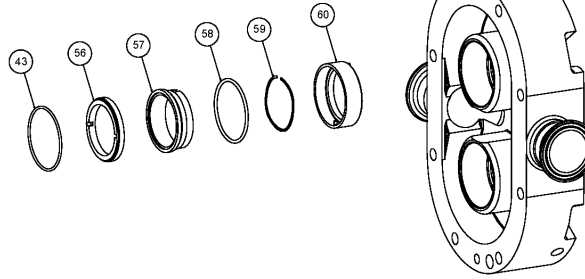
Ref #	Component Item No.	Description	Qty Per
28	P1GX101715	FRONT BEARING - ZP3 30/34/40	2
29	P2SX108409	DRIVE SHAFT (17-4PH) - ZP3 30/34	1
30	P2SX108410	SHORT SHAFT (17-4PH) - ZP3 30/34	1
31	P1GX000037002	DRIVE KEY, 1/4" SQ. X 1" - ZP3 30/34/40	1
32	P1GXBD0037000	GEAR KEY - ZP3 30/34/40	2
33	P2SX101821	ROTOR KEY - ZP3 30/34/40	2
34	P1SX120333	BEARING RETAINER, NEW STYLE - ZP3 30/34/40	2
35	P1GX121680	GREASE SEAL FRONT BEARING RET. 3A - ZP3 30/34/40	2
36	P1GX30-283	5/16-18 X 3/4" HHCS, BRG RTR & G.CASE COVER - ZP3 30/34/40	8
37	P3BDY030001002	BODY - ZP3 30	1
	<i>P3BDY030001F02</i>	<i>BODY - ZP3 30 - FLUSHED</i>	1
38	P2GX101719	STOP PIN,SEAL - ZP3 30/34/40	6
40	P1GX124581	DOWEL PIN - ZP3 30/34/40	1
41	P1GX124582	DOWEL PIN - ZP3 30/34/40	1
42	P1GX30-211	BODY RETAINING SCREW, 1/4-20 X 2" - ZP3 30/34	2
44	P3RTB030010C00	ROTOR TWIN BLADE - ZP3 30/34 (STD - CIP) - ALLOY 88	2
	<i>P3RTB030010C0H</i>	<i>ROTOR TWIN BLADE - ZP3 30/34 (STD - CIP) - ALLOY 88 - HOT CLEARANCE</i>	2
	<i>P3RTB030010CHC</i>	<i>ROTOR TWIN BLADE - ZP3 30/34 (STD - CIP) - ALLOY 88 - HOT CHOCOLATE</i>	2
	<i>P3RTB0300102C0</i>	<i>ROTOR TWIN BLADE - ZP3 30/34 (STD - CIP) - 316L</i>	2
45	V70130	O-RING, ROTOR NUT (VITON) - ZP3 30/34/40	2
	<i>N70130</i>	<i>O-RING, ROTOR NUT (BUNA) - ZP3 30/34/40</i>	2
	<i>E70130</i>	<i>O-RING, ROTOR NUT (EPDM) - ZP3 30/34/40</i>	2
46	V70115	O-RING, RETAINER (VITON) - ZP3 30/34/40	2
	<i>N70115</i>	<i>O-RING, RETAINER (BUNA) - ZP3 30/34/40</i>	2
	<i>E70115</i>	<i>O-RING, RETAINER (EPDM) - ZP3 30/34/40</i>	2
47	P2GX101692	BELLEVILLE WASHER, SS - ZP3 30/34/40	2
48	P2SX101805	ROTOR NUT - ZP3 30/34/40	2



Exploded View

Optional Items Shown in ITALICS

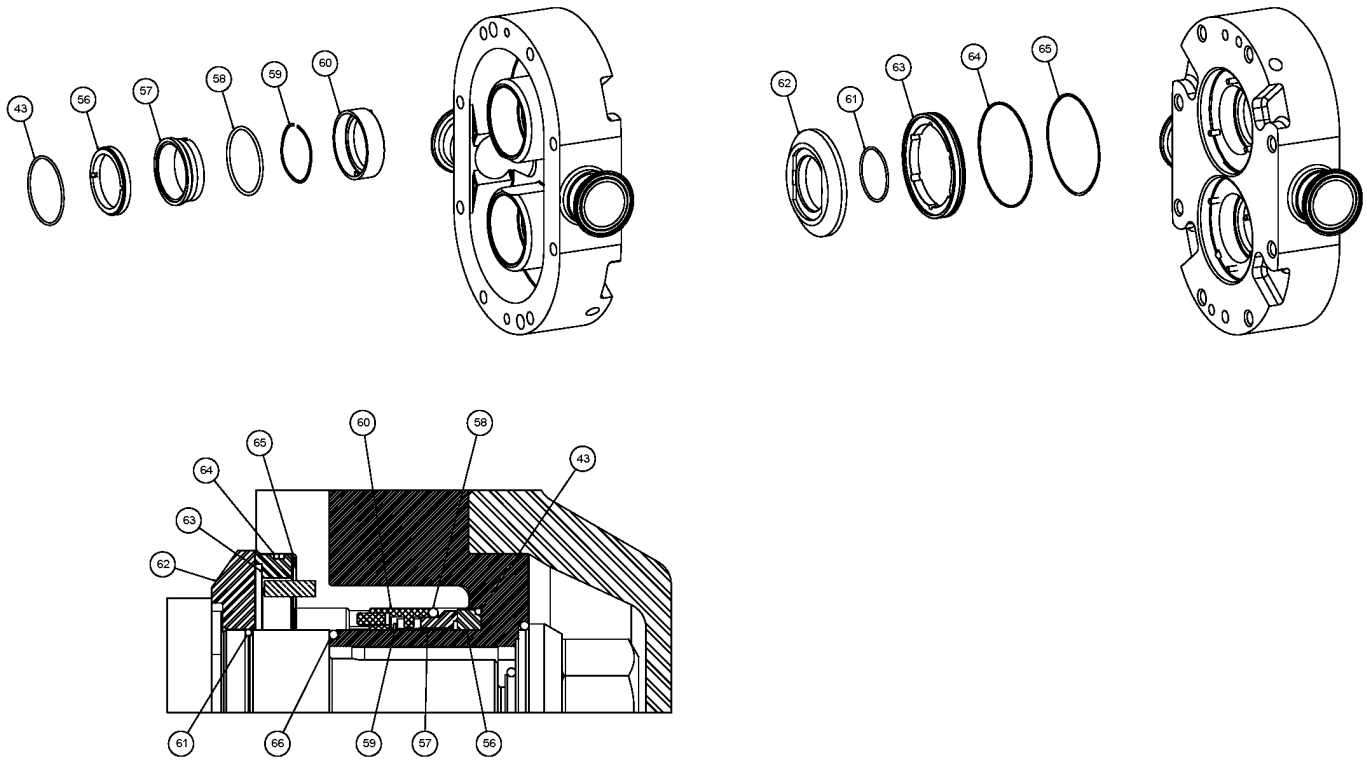
Ref #	Component Item No.	Description	Qty Per
49	V70259	O-RING, COVER (VITON) - ZP3 30/34/40	1
	<i>N70259</i>	<i>O-RING, COVER (BUNA) - ZP3 30/34/40</i>	1
	<i>E70259</i>	<i>O-RING, COVER (EPDM) - ZP3 30/34/40</i>	1
	<i>SE70259</i>	<i>O-RING, COVER (FEP ENCAPSULATED SILICONE) - ZP3 30/34/40</i>	1
50	P3CVR101845	COVER - ZP3 30/34/40	1
	<i>P3CVR107666</i>	<i>COVER, JACKETED - ZP3 30/34/40</i>	1
51	P1SX108370	COVER HEX NUT - ZP3 30/34/40	8
	<i>P1GX105851</i>	<i>WING NUT - ZP1 30/34/40</i>	8
54	P1GX000CENAIL	DRIVENAIL,ZP,GEAR CASE GUARDS	4
55	P1SX040SPLATE	BEARING RETAINER SPLASH PLATE - ZP3 30/34/40	2
60	P3SX040098000	SEAL SLEEVE, NEW DESIGN - ZP3 30/40	2
66	V70127	O-RING, ROTOR HUB (VITON) - ZP3 30/34/40	2
	<i>N70127</i>	<i>O-RING, ROTOR HUB (BUNA) - ZP3 30/34/40</i>	2
	<i>E70127</i>	<i>O-RING, ROTOR HUB (EPDM) - ZP3 30/34/40</i>	2



Single Mechanical Seal

Optional Items Shown in ITALICS

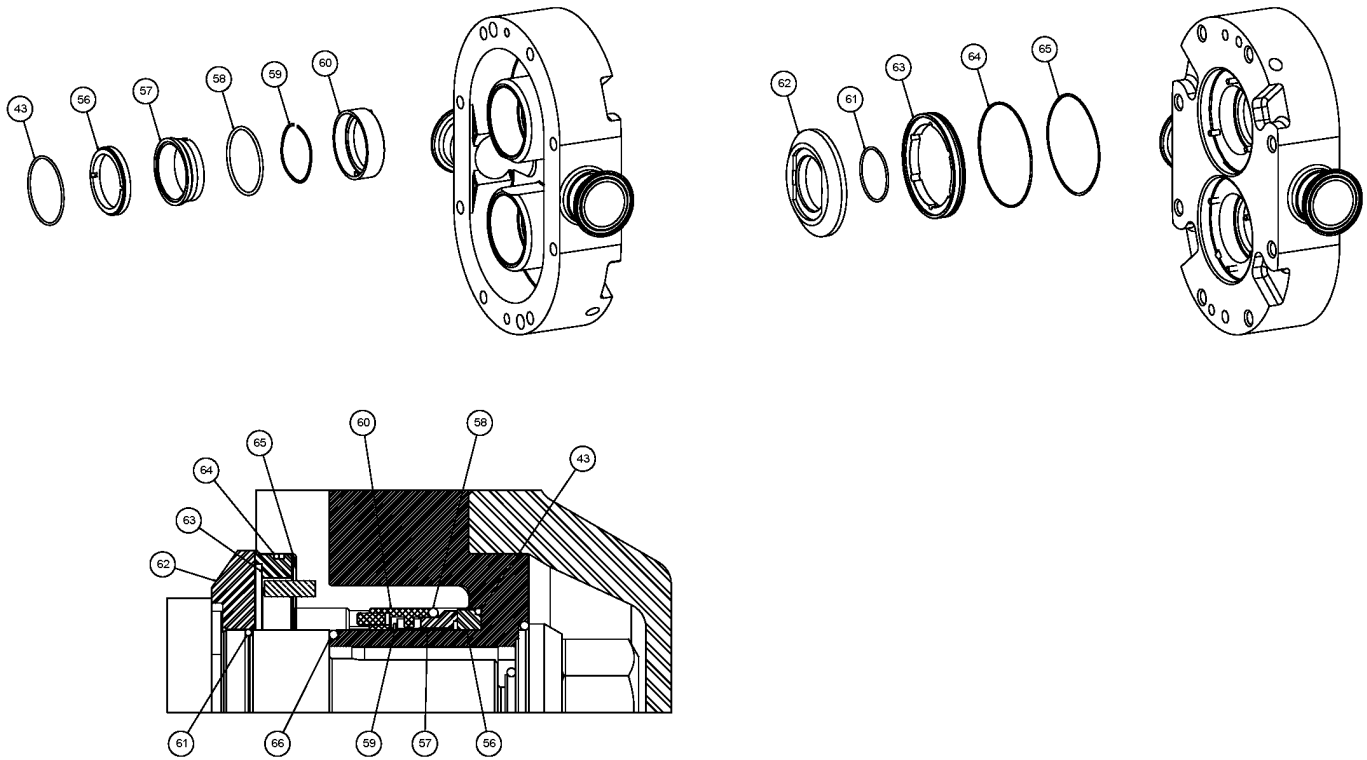
Ref #	Component Item No.	Description	Qty Per
43	V70032	O-RING, ROTOR SEAL FACE (VITON) ZP3 30/34/40	2
	<i>N70032</i>	<i>O-RING, ROTOR SEAL FACE (BUNA) ZP3 30/34/40</i>	2
	<i>E70032</i>	<i>O-RING, ROTOR SEAL FACE (EPDM) ZP3 30/34/40</i>	2
56	P3GS030014009	ROTOR SEAL FACE (C) - ZP3 30/34/40	2
	<i>P3GS030014000</i>	<i>ROTOR SEAL FACE (TC) - ZP3 30/34/40</i>	2
57	P3GS030306000	BODY SEAL FACE (TC) - ZP3 30/34/40	2
58	V70134	O-RING, BODY SEAL FACE (VITON) - ZP3 30/34/40	2
	<i>N70134</i>	<i>O-RING, BODY SEAL FACE (BUNA) - ZP3 30/34/40</i>	2
	<i>E70134</i>	<i>O-RING, BODY SEAL FACE (EPDM) - ZP3 30/34/40</i>	2
59	P3GS030304000	SEAL WAVE SPRING - ZP3 30/34/40	2



Double Mechanical Seal

Optional Items Shown in ITALICS

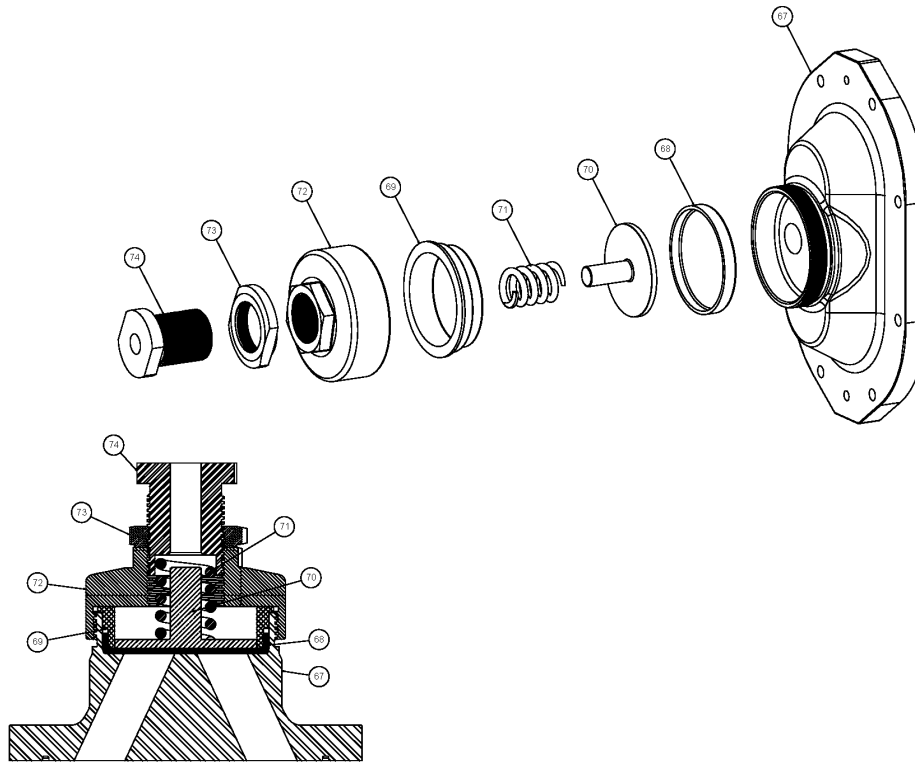
Ref #	Component Item No.	Description	Qty Per
43	V70032	O-RING, ROTOR SEAL FACE (VITON) ZP3 30/34/40	2
	<i>N70032</i>	<i>O-RING, ROTOR SEAL FACE (BUNA) ZP3 30/34/40</i>	2
	<i>E70032</i>	<i>O-RING, ROTOR SEAL FACE (EPDM) ZP3 30/34/40</i>	2
44	P3RTB030010C00	ROTOR TWIN BLADE - ZP3 30/34 (STD - CIP) - ALLOY 88	2
	<i>P3RTB030010C0H</i>	<i>ROTOR TWIN BLADE - ZP3 30/34 (STD - CIP) - ALLOY 88 - HOT CLEARANCE</i>	2
	<i>P3RTB030010CHC</i>	<i>ROTOR TWIN BLADE - ZP3 30/34 (STD - CIP) - ALLOY 88 - HOT CHOCOLATE</i>	2
	<i>P3RTB0300102C0</i>	<i>ROTOR TWIN BLADE - ZP3 30/34 (STD - CIP) - 316L</i>	2
45	V70130	O-RING, ROTOR NUT (VITON) - ZP3 30/34/40	2
	<i>N70130</i>	<i>O-RING, ROTOR NUT (BUNA) - ZP3 30/34/40</i>	2
	<i>E70130</i>	<i>O-RING, ROTOR NUT (EPDM) - ZP3 30/34/40</i>	2
46	V70115	O-RING, RETAINER (VITON) - ZP3 30/34/40	2
	<i>N70115</i>	<i>O-RING, RETAINER (BUNA) - ZP3 30/34/40</i>	2
	<i>E70115</i>	<i>O-RING, RETAINER (EPDM) - ZP3 30/34/40</i>	2
47	P2GX101692	BELLEVILLE WASHER, SS - ZP3 30/34/40	2
48	P2SX101805	ROTOR NUT - ZP3 30/34/40	2
49	V70259	O-RING, COVER (VITON) - ZP3 30/34/40	1
	<i>N70259</i>	<i>O-RING, COVER (BUNA) - ZP3 30/34/40</i>	1
	<i>E70259</i>	<i>O-RING, COVER (EPDM) - ZP3 30/34/40</i>	1
	<i>SE70259</i>	<i>O-RING, COVER (FEP ENCAPSULATED SILICONE) - ZP3 30/34/40</i>	1
56	P3GS030014009	ROTOR SEAL FACE (C) - ZP3 30/34/40	2
	<i>P3GS030014000</i>	<i>ROTOR SEAL FACE (TC) - ZP3 30/34/40</i>	2
57	P3GS030306000	BODY SEAL FACE (TC) - ZP3 30/34/40	2
58	V70134	O-RING, BODY SEAL FACE (VITON) - ZP3 30/34/40	2
	<i>N70134</i>	<i>O-RING, BODY SEAL FACE (BUNA) - ZP3 30/34/40</i>	2
	<i>E70134</i>	<i>O-RING, BODY SEAL FACE (EPDM) - ZP3 30/34/40</i>	2
59	P3GS030304000	SEAL WAVE SPRING - ZP3 30/34/40	2
61	V70029	O-RING, SHAFT (VITON) - ZP3 30/34/40	2



Double Mechanical Seal

Optional Items Shown in ITALICS

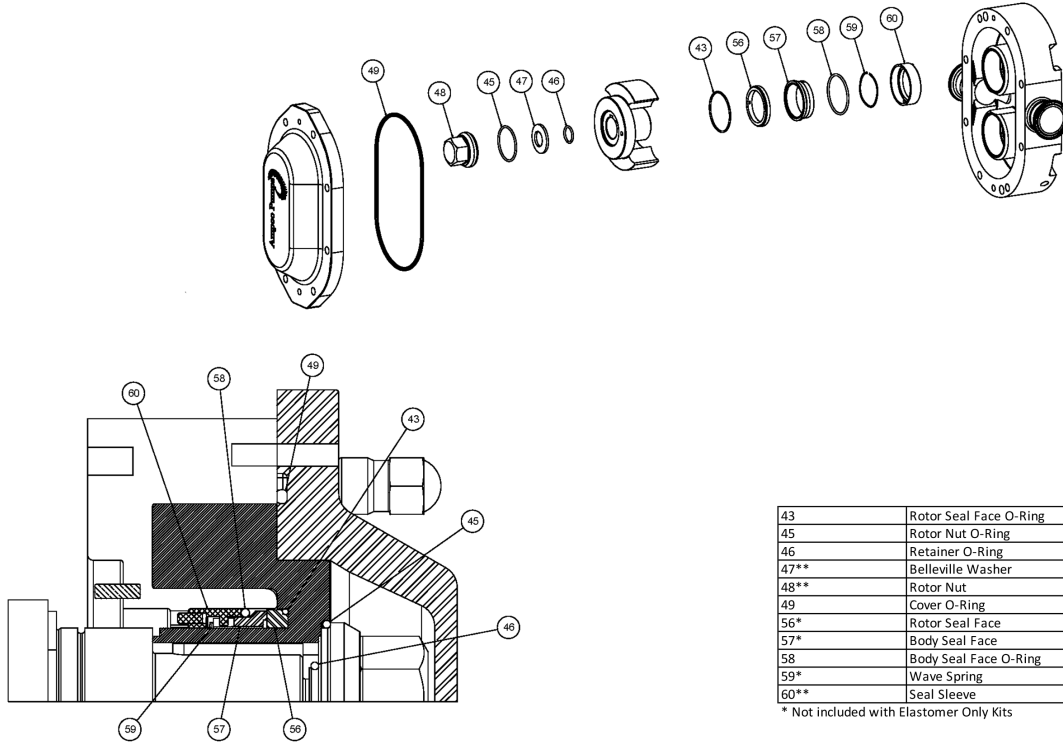
Ref #	Component Item No.	Description	Qty Per
61	<i>N70029</i>	<i>O-RING, SHAFT (BUNA) - ZP3 30/34/40</i>	2
	<i>E70029</i>	<i>O-RING, SHAFT (EPDM) - ZP3 30/34/40</i>	2
62	P2GS101670	SEAL SEAT (K) - ZP3 30/34/40	2
	<i>P2GS101671</i>	<i>SEAL SEAT (C) - ZP3 30/34/40</i>	2
63	P2GS101680	OUTER SEAL (N) - ZP3 30/34/40	2
64	V70041	O-RING, OUTER SEAL (VITON) - ZP3 30/34/40	2
	<i>N70041</i>	<i>O-RING, OUTER SEAL (BUNA) - ZP3 30/34/40</i>	2
	<i>E70041</i>	<i>O-RING, OUTER SEAL (EPDM) - ZP3 30/34/40</i>	2
65	P2GS101686	OUTER SEAL WAVE SPRING - ZP3 30/34/40	2
66	V70127	O-RING, ROTOR HUB (VITON) - ZP3 30/34/40	2
	<i>N70127</i>	<i>O-RING, ROTOR HUB (BUNA) - ZP3 30/34/40</i>	2
	<i>E70127</i>	<i>O-RING, ROTOR HUB (EPDM) - ZP3 30/34/40</i>	2



Pressure Relief Cover

Optional Items Shown in ITALICS

Ref #	Component Item No.	Description	Qty Per
67	P3CVR103670	VENTED FRONT COVER, ZP3 - 30/34/40	1
68	P1GXAD0078V00	RUBBER DIAPHRAGM, VITON, ZP1 & ZP2 & ZP3 - 6/15/18/30/34/40	1
	<i>P1GXAD0078000</i>	<i>RUBBER DIAPHRAGM, BUNA, ZP1 & ZP2 & ZP3 - 6/15/18/30/34/40</i>	1
	<i>P1GXAD0078EP0</i>	<i>RUBBER DIAPHRAGM, EPDM, ZP1 & ZP2 & ZP3 - 6/15/18/30/34/40</i>	1
69	P1SXAD0077000	DIAPHRAGM BUSHING, ZP1 & ZP2 & ZP3 - 6/15/18/30/34/40	1
70	P1SXAD0073000	SPRING PLUNGER, ZP1 & ZP2 & ZP3 - 6/15/18/30/34/40	1
71	P1SXAD0076000	SPRING, MEDIUM, (LESS THAN 150 PSI), ZP1 & ZP2 & ZP3 - 6/15/18/30/34/40	1
	<i>P1SXABB076100</i>	<i>SPRING, HIGH, (MORE THAN 150 PSI), ZP1 & ZP2 & ZP3 - 6/15/18/30/34/40</i>	1
72	P1SXAD0075000	COVER NUT, ZP1 & ZP2 & ZP3 - 6/15/18/30/34/40	1
73	P1SXAD0074000	LOCKNUT, ZP1 & ZP2 & ZP3 - 6/15/18/30/34/40	1
74	P1SXAD0072000	ADJUSTING SCREW, ZP1 & ZP2 & ZP3 - 6/15/18/30/34/40	1



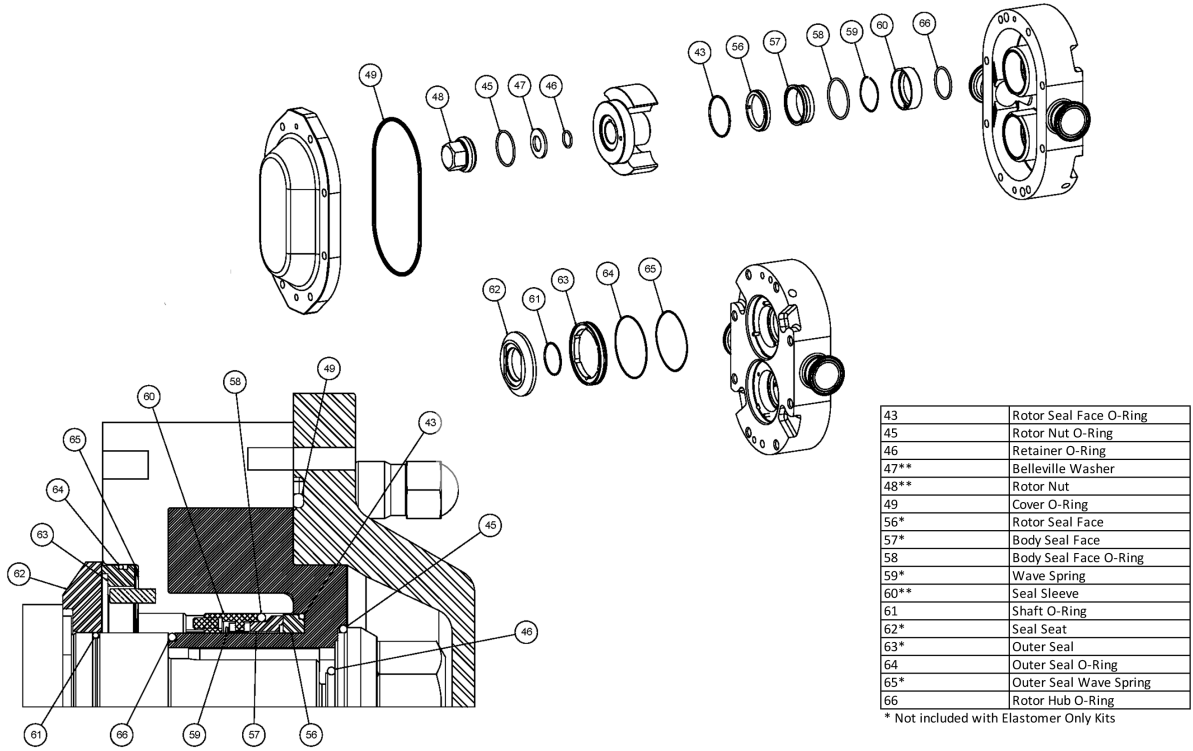
43	Rotor Seal Face O-Ring
45	Rotor Nut O-Ring
46	Retainer O-Ring
47**	Belleville Washer
48**	Rotor Nut
49	Cover O-Ring
56*	Rotor Seal Face
57*	Body Seal Face
58	Body Seal Face O-Ring
59*	Wave Spring
60**	Seal Sleeve

* Not included with Elastomer Only Kits

Single Mechanical Seal Kit

Optional Items Shown in ITALICS

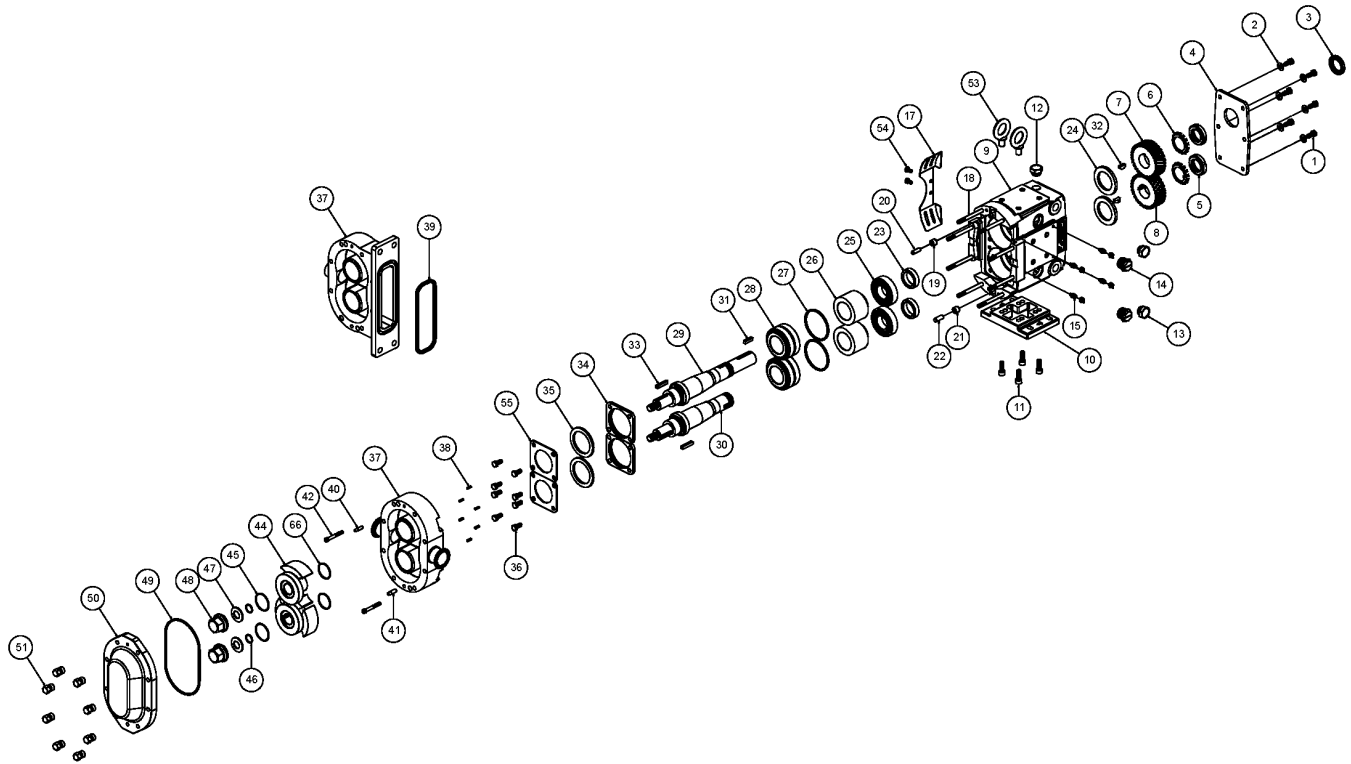
Ref #	Component Item No.	Description	Qty Per
1	P3GX030000-V	SEAL KIT, SGL MECH, ELASTOMERS ONLY, VITON - ZP3 30/34/40	1
	<i>P3GX030000-N</i>	<i>SEAL KIT, SGL MECH, ELASTOMERS ONLY, BUNA - ZP3 30/34/40</i>	<i>1</i>
	<i>P3GX030000-E</i>	<i>SEAL KIT, SGL MECH, ELASTOMERS ONLY, EPDM - ZP3 30/34/40</i>	<i>1</i>
3	P3GS030000-V	SEAL KIT, SGL MECH, TC/SC, VITON - ZP3 30/34/40	1
	<i>P3GS030000-N</i>	<i>SEAL KIT, SGL MECH, TC/SC, BUNA - ZP3 30/34/40</i>	<i>1</i>
	<i>P3GS030000-E</i>	<i>SEAL KIT, SGL MECH, TC/SC, EPDM - ZP3 30/34/40</i>	<i>1</i>
47	P2GX101692	BELLEVILLE WASHER, SS - ZP3 30/34/40	2
48	P2SX101805	ROTOR NUT - ZP3 30/34/40	2
60	P3SX040098000	SEAL SLEEVE, NEW DESIGN - ZP3 30/40	2



Double Mechanical Seal Kit

Optional Items Shown in ITALICS

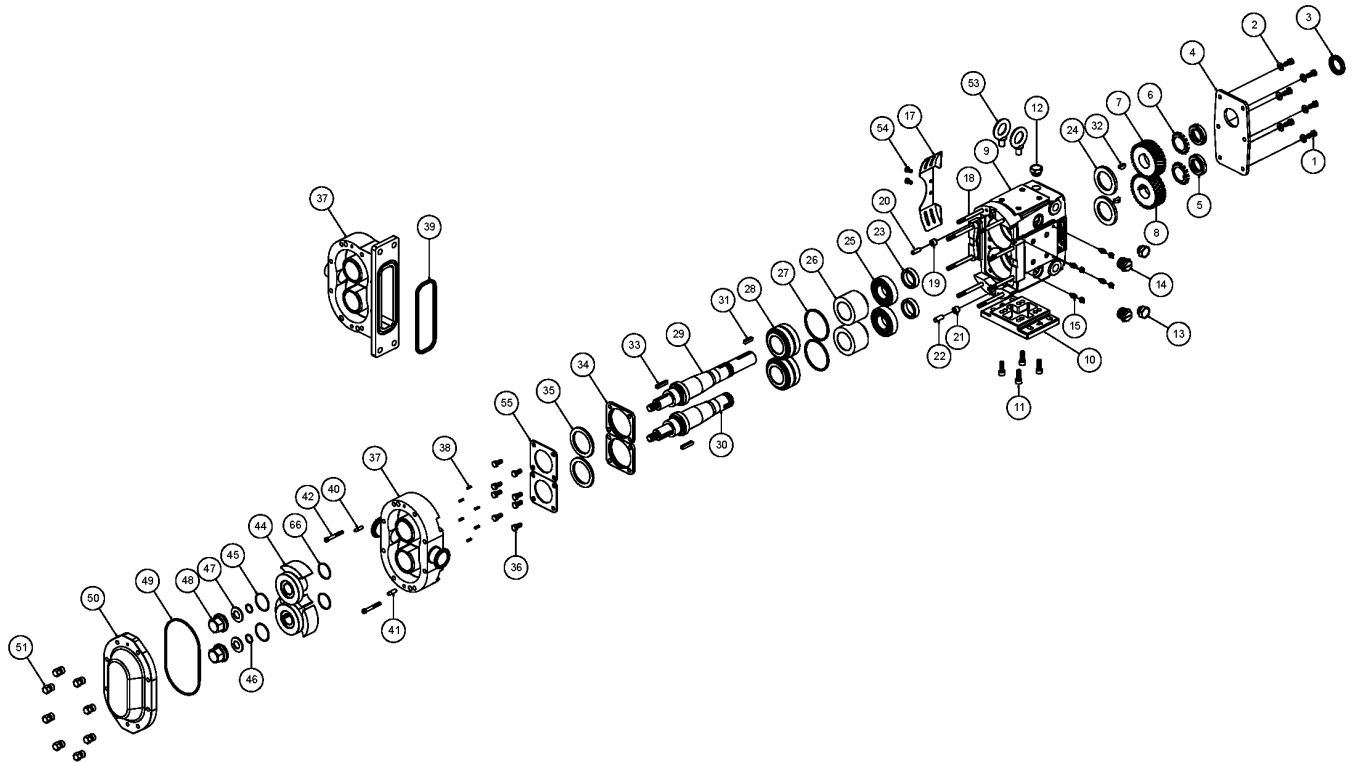
Ref #	Component Item No.	Description	Qty Per
1	P3GX030000-V	SEAL KIT, DBL MECH, ELASTOMERS ONLY, VITON - ZP3 30/34/40	1
	<i>P3GX030000-N</i>	<i>SEAL KIT, DBL MECH, ELASTOMERS ONLY, BUNA - ZP3 30/34/40</i>	<i>1</i>
	<i>P3GX030000-E</i>	<i>SEAL KIT, DBL MECH, ELASTOMERS ONLY, EPDM - ZP3 30/34/40</i>	<i>1</i>
3	P3GS030000-V	SEAL KIT, DBL MECH, TC/SC - CE/CA, VITON - ZP3 30/34/40	1
	<i>P3GS030000-N</i>	<i>SEAL KIT, DBL MECH, TC/SC - CE/CA, BUNA - ZP3 30/34/40</i>	<i>1</i>
	<i>P3GS030000-E</i>	<i>SEAL KIT, DBL MECH, TC/SC - CE/CA, EPDM - ZP3 30/34/40</i>	<i>1</i>
5	P3GS030000-V	SEAL KIT, DBL MECH, TC/SC - SC/CA, VITON - ZP3 30/34/40	1
	<i>P3GS030000-N</i>	<i>SEAL KIT, DBL MECH, TC/SC - SC/CA, BUNA - ZP3 30/34/40</i>	<i>1</i>
	<i>P3GS030000-E</i>	<i>SEAL KIT, DBL MECH, TC/SC - SC/CA, EPDM - ZP3 30/34/40</i>	<i>1</i>
47	P2GX101692	BELLEVILLE WASHER, SS - ZP3 30/34/40	2
48	P2SX101805	ROTOR NUT - ZP3 30/34/40	2
60	P3SX040098000	SEAL SLEEVE, NEW DESIGN - ZP3 30/40	2



Exploded View

Optional Items Shown in ITALICS

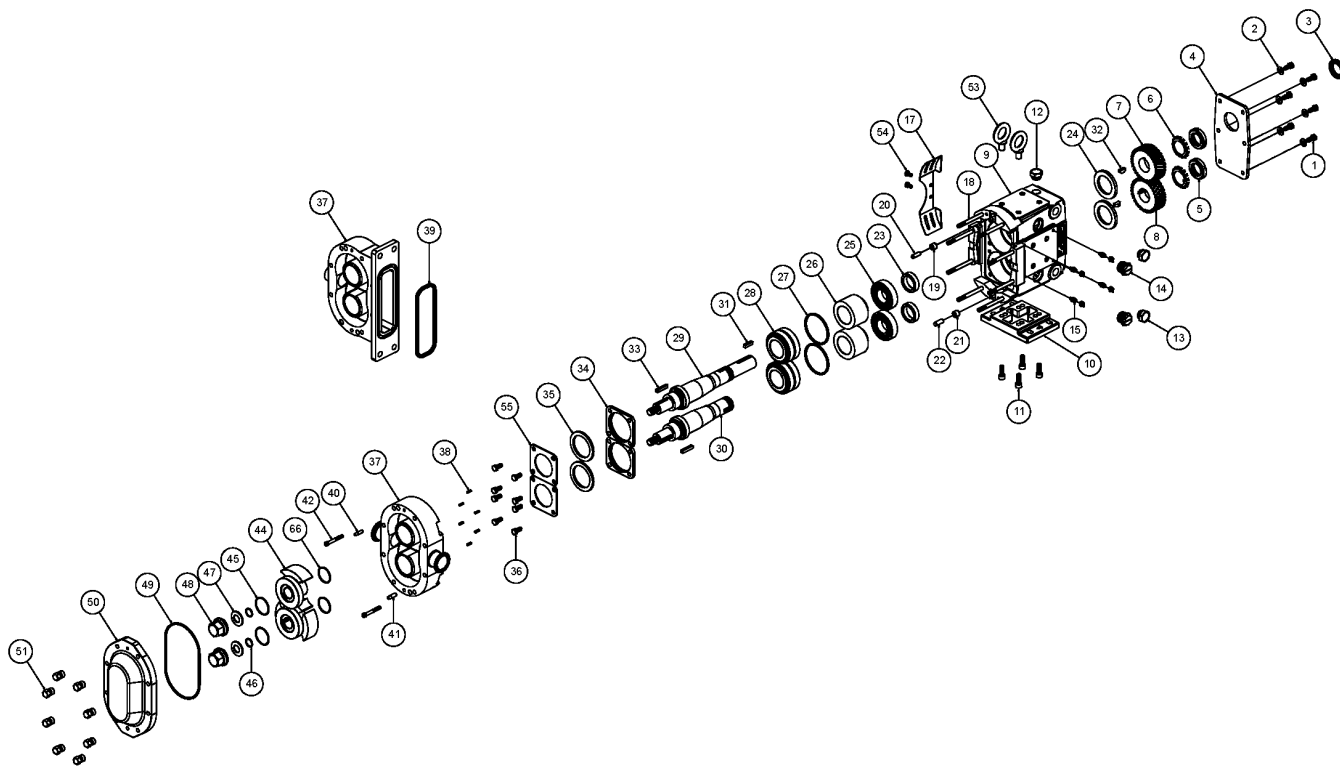
Ref #	Component Item No.	Description	Qty Per
1	P1GX30-58	1/4-20 X 3/4" HHCS, G.CASE COVER, SS - ZP3 30/34/40	6
2	P1GX43-108	FLAT WASHER, G CASE COVER, 1/4 X 5/8 OD, SS - ZP3 30/34/40	6
3	P1GX000030013	OIL SEAL, GEAR CASE COVER - ZP3 30/34/40	1
4	P1SX040106000	GEAR CASE COVER, SS - ZP3 30/34/40	1
5	P1GXCD0036N00	GEAR LOCKNUT - ZP3 30/34/40	2
6	P1GXCD0036W00	GEAR LOCKWASHER - ZP3 30/34/40	2
7	P1GX030007001	GEAR DRIVE SHAFT - ZP3 30/34/40	1
8	P1GX030007002	GEAR SHORT SHAFT - ZP3 30/34/40	1
9	P1SX040005000	GEAR CASE, SS - ZP3 30/34/40	1
10	P1SX040110000	GEAR CASE BASE, SS - ZP3 30/34/40	1
11	P1GX30SHCSGCB	SHCS, G. CASE BASE, (18-8 SS) 3/8-16 X 1 - ZP3 30/34/40	4
12	P1GX115798	PLUG,HEX,20M X1.5,W/NBR SEAL	5
13	P1GX115799	GAUGE,OIL,LVL,INDIC,M-20X1.5	1
14	P1GX70PLUG-SS	CLEAN OUT PLUG, SS - ZP3 30/34/40	4
15	P1GXBD0092001	GREASE FITTING, THREADED 1/4"-28 TAPER, SS	8
17	P1SX040CEGUARD	GUARD,30/34,(CE),GC,,SS	2
18	P1GX35555	STUD, SHORT, ZP3 34	2
	P1GX108842	STUD, ZP3 34	6
	<i>P1GX35549</i>	<i>STUD, SHORT, JACKETED COVER, ZP3 34</i>	2
	<i>P1GX108845</i>	<i>STUD, JACKETED COVER, ZP3 34</i>	6
19	P1GXBD0116000	UPPER DOWEL BUSHING - ZP3 30/34/40	1
20	P1GX124582	DOWEL PIN - ZP3 30/34/40	1
21	P1GXBD0116100	LOWER DOWEL BUSHING - ZP3 30/34/40	1
22	P1GX124583	DOWEL PIN - ZP3 30/34/40	1
23	P1GX030055000	GEAR TO REAR BEARING SPACER - ZP3 30/34/40	2
24	P1GX000030014	OIL SEAL, REAR - ZP3 30/34/40	2
25	P1GX030035000	REAR BEARING - ZP3 30/34/40	2



Exploded View

Optional Items Shown in ITALICS

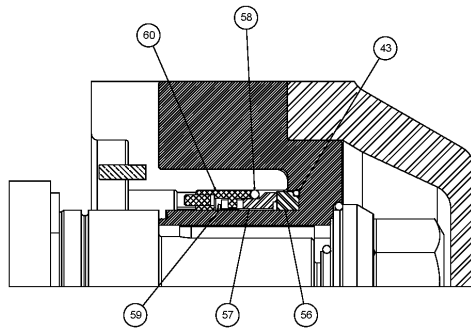
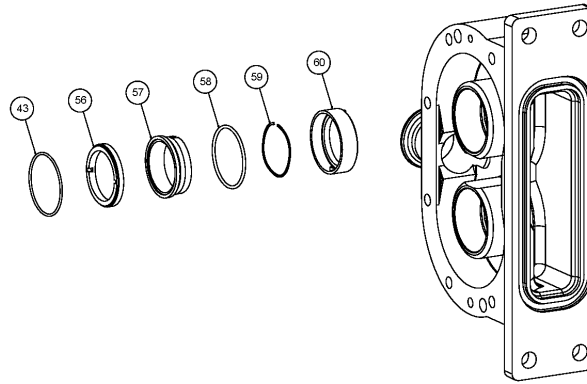
Ref #	Component Item No.	Description	Qty Per
26	P1GX101815	BEARING SPACER - ZP3 30/34/40	2
27	P1GX117890	SHIM KIT - ZP3 30/34/40	2
28	P1GX101715	FRONT BEARING - ZP3 30/34/40	2
29	P2SX108409	DRIVE SHAFT (17-4PH) - ZP3 30/34	1
30	P2SX108410	SHORT SHAFT (17-4PH) - ZP3 30/34	1
31	P1GX000037002	DRIVE KEY, 1/4" SQ. X 1" - ZP3 30/34/40	1
32	P1GXBD0037000	GEAR KEY - ZP3 30/34/40	2
33	P2SX101821	ROTOR KEY - ZP3 30/34/40	2
34	P1SX120333	BEARING RETAINER, NEW STYLE - ZP3 30/34/40	2
35	P1GX121680	GREASE SEAL FRONT BEARING RET. 3A - ZP3 30/34/40	2
36	P1GX30-283	5/16-18 X 3/4" HHCS, BRG RTR & G.CASE COVER - ZP3 30/34/40	8
37	P3BDY034001002	BODY - ZP3 34	1
38	P2GX101719	STOP PIN,SEAL - ZP3 30/34/40	6
39	V70357	O-RING, RECTANGULAR FLANGE (VITON) - ZP3 34	1
	<i>N70357</i>	<i>O-RING, RECTANGULAR FLANGE (BUNA) - ZP3 34</i>	<i>1</i>
	<i>E70357</i>	<i>O-RING, RECTANGULAR FLANGE (EPDM) - ZP3 34</i>	<i>1</i>
40	P1GX124581	DOWEL PIN - ZP3 30/34/40	1
41	P1GX124582	DOWEL PIN - ZP3 30/34/40	1
42	P1GX30-211	BODY RETAINING SCREW, 1/4-20 X 2" - ZP3 30/34	2
44	P3RTB030010C00	ROTOR TWIN BLADE - ZP3 30/34 (STD - CIP) - ALLOY 88	2
	<i>P3RTB030010C0H</i>	<i>ROTOR TWIN BLADE - ZP3 30/34 (STD - CIP) - ALLOY 88 - HOT CLEARANCE</i>	<i>2</i>
	<i>P3RTB030010CHC</i>	<i>ROTOR TWIN BLADE - ZP3 30/34 (STD - CIP) - ALLOY 88 - HOT CHOCOLATE</i>	<i>2</i>
	<i>P3RTB0300102C0</i>	<i>ROTOR TWIN BLADE - ZP3 30/34 (STD - CIP) - 316L</i>	<i>2</i>
45	V70130	O-RING, ROTOR NUT (VITON) - ZP3 30/34/40	2
	<i>N70130</i>	<i>O-RING, ROTOR NUT (BUNA) - ZP3 30/34/40</i>	<i>2</i>
	<i>E70130</i>	<i>O-RING, ROTOR NUT (EPDM) - ZP3 30/34/40</i>	<i>2</i>
46	V70115	O-RING, RETAINER (VITON) - ZP3 30/34/40	2



Exploded View

Optional Items Shown in ITALICS

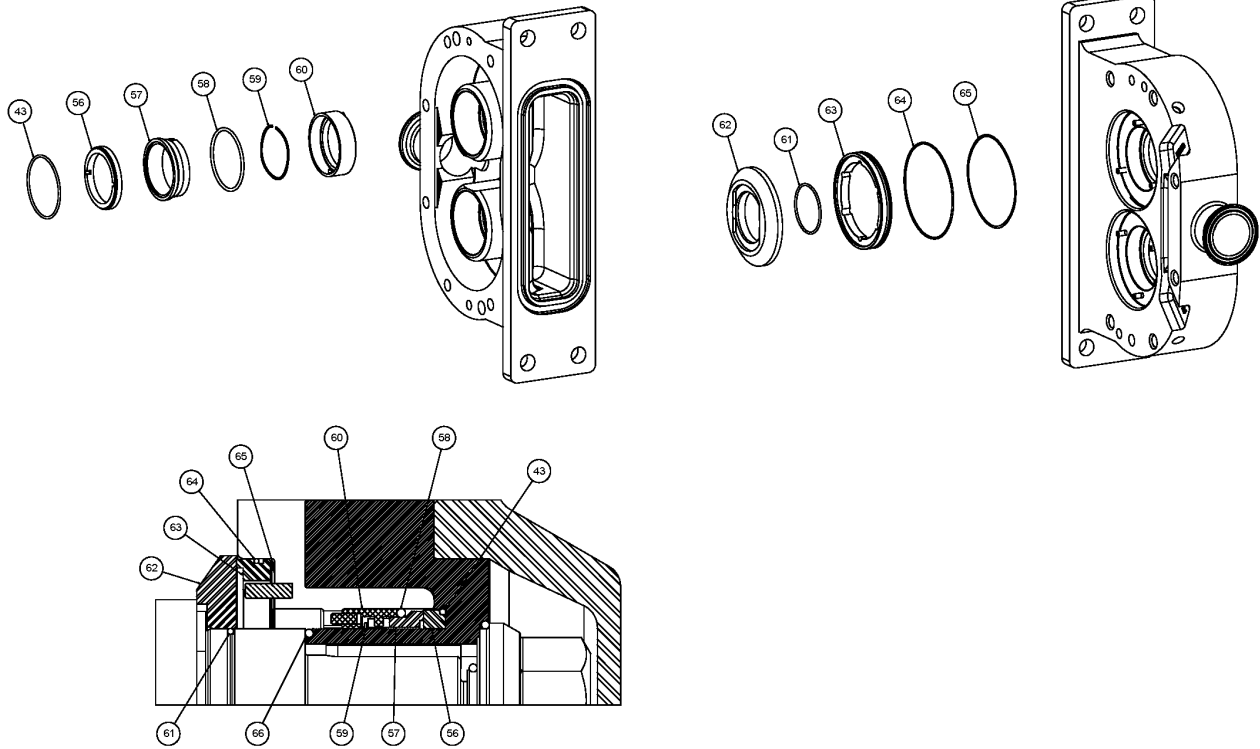
Ref #	Component Item No.	Description	Qty Per
46	<i>N70115</i>	<i>O-RING, RETAINER (BUNA) - ZP3 30/34/40</i>	2
	<i>E70115</i>	<i>O-RING, RETAINER (EPDM) - ZP3 30/34/40</i>	2
47	P2GX101692	BELLEVILLE WASHER, SS - ZP3 30/34/40	2
48	P2SX101805	ROTOR NUT - ZP3 30/34/40	2
49	V70259	O-RING, COVER (VITON) - ZP3 30/34/40	1
	<i>N70259</i>	<i>O-RING, COVER (BUNA) - ZP3 30/34/40</i>	1
	<i>E70259</i>	<i>O-RING, COVER (EPDM) - ZP3 30/34/40</i>	1
	<i>SE70259</i>	<i>O-RING, COVER (FEP ENCAPSULATED SILICONE) - ZP3 30/34/40</i>	1
50	P3CVR101845	COVER - ZP3 30/34/40	1
	<i>P3CVR107666</i>	<i>COVER, JACKETED - ZP3 30/34/40</i>	1
51	P1SX108370	COVER HEX NUT - ZP3 30/34/40	8
	<i>P1GX105851</i>	<i>WING NUT - ZP1 30/34/40</i>	8
54	P1GX000CENAIL	DRIVENAIL,ZP,GEAR CASE GUARDS	4
55	P1SX040SPATE	BEARING RETAINER SPLASH PLATE - ZP3 30/34/40	2
60	P3SX030098000	SEAL SLEEVE, OLD DESIGN - ZP3 034	2
66	V70127	O-RING, ROTOR HUB (VITON) - ZP3 30/34/40	2
	<i>N70127</i>	<i>O-RING, ROTOR HUB (BUNA) - ZP3 30/34/40</i>	2
	<i>E70127</i>	<i>O-RING, ROTOR HUB (EPDM) - ZP3 30/34/40</i>	2



Single Mechanical Seal

Optional Items Shown in ITALICS

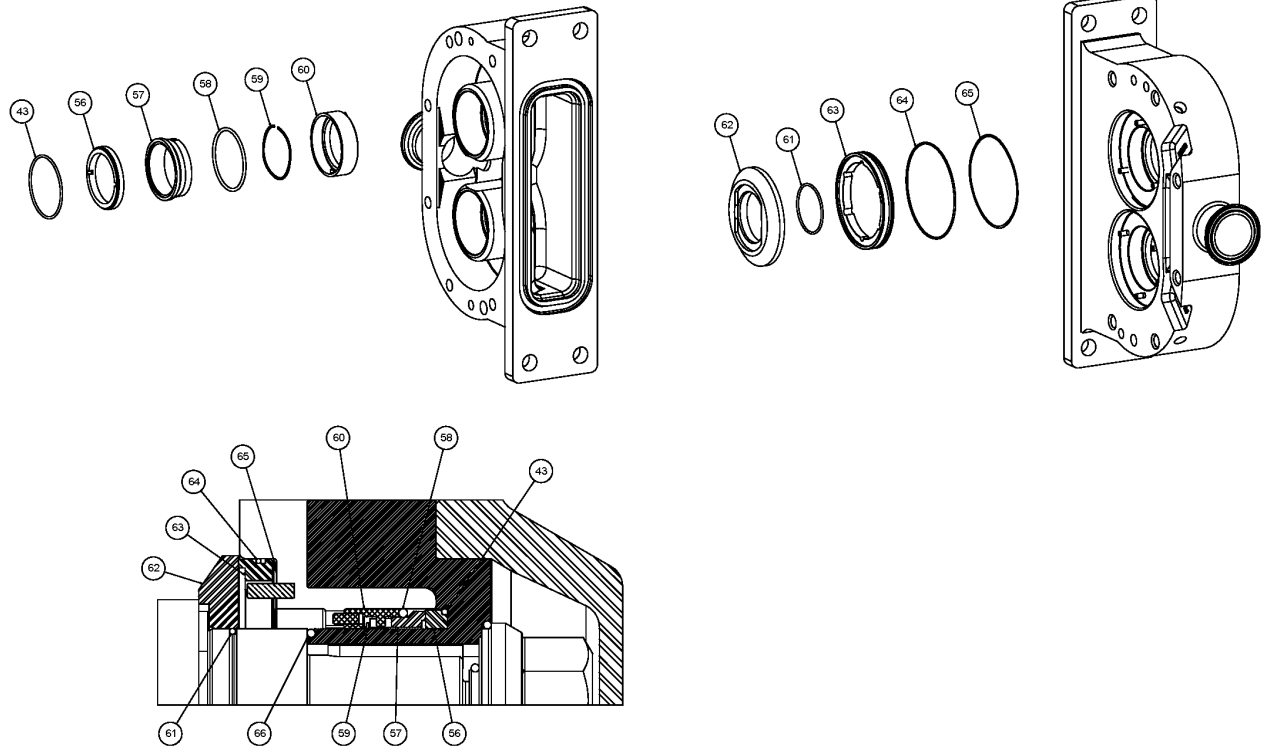
Ref #	Component Item No.	Description	Qty Per
43	V70032	O-RING, ROTOR SEAL FACE (VITON) ZP3 30/34/40	2
	<i>N70032</i>	<i>O-RING, ROTOR SEAL FACE (BUNA) ZP3 30/34/40</i>	<i>2</i>
	<i>E70032</i>	<i>O-RING, ROTOR SEAL FACE (EPDM) ZP3 30/34/40</i>	<i>2</i>
56	P3GS030014009	ROTOR SEAL FACE (C) - ZP3 30/34/40	2
	<i>P3GS030014000</i>	<i>ROTOR SEAL FACE (TC) - ZP3 30/34/40</i>	<i>2</i>
57	P3GS030306000	BODY SEAL FACE (TC) - ZP3 30/34/40	2
58	V70134	O-RING, BODY SEAL FACE (VITON) - ZP3 30/34/40	2
	<i>N70134</i>	<i>O-RING, BODY SEAL FACE (BUNA) - ZP3 30/34/40</i>	<i>2</i>
	<i>E70134</i>	<i>O-RING, BODY SEAL FACE (EPDM) - ZP3 30/34/40</i>	<i>2</i>
59	P3GS030304000	SEAL WAVE SPRING - ZP3 30/34/40	2
60	P3SX030098000	SEAL SLEEVE, OLD DESIGN - ZP3 034	2



Double Mechanical Seal

Optional Items Shown in ITALICS

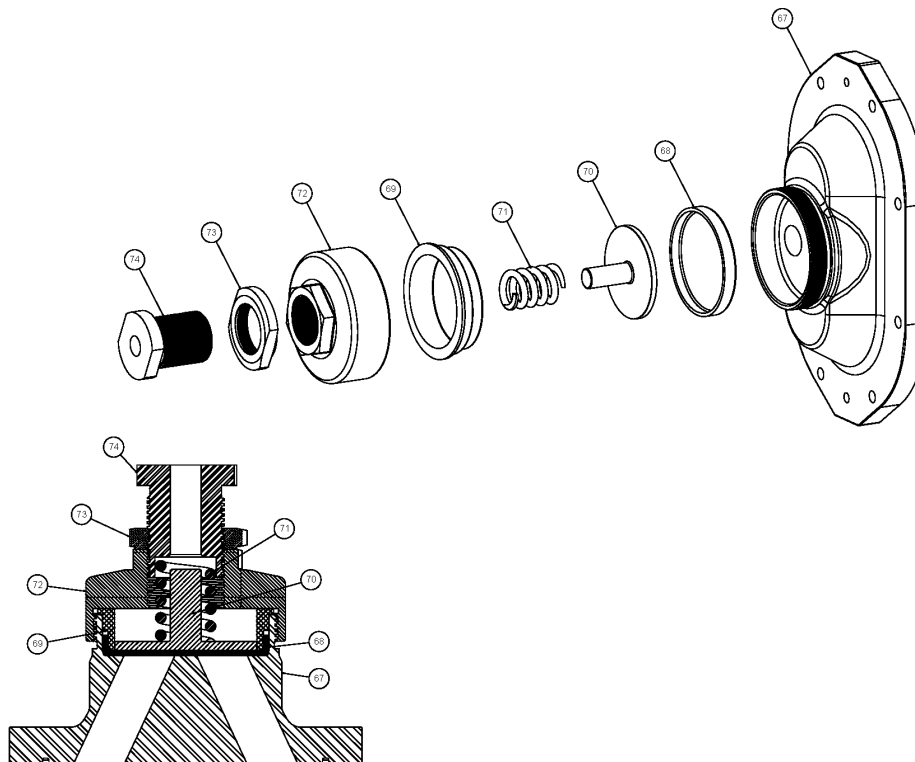
Ref #	Component Item No.	Description	Qty Per
43	<i>N70032</i>	<i>O-RING, ROTOR SEAL FACE (BUNA) ZP3 30/34/40</i>	2
	<i>E70032</i>	<i>O-RING, ROTOR SEAL FACE (EPDM) ZP3 30/34/40</i>	2
	<i>V70032</i>	<i>O-RING, ROTOR SEAL FACE (VITON) ZP3 30/34/40</i>	2
44	P3RTB030010C00	ROTOR TWIN BLADE - ZP3 30/34 (STD - CIP) - ALLOY 88	2
	<i>P3RTB030010C0H</i>	<i>ROTOR TWIN BLADE - ZP3 30/34 (STD - CIP) - ALLOY 88 - HOT CLEARANCE</i>	2
	<i>P3RTB030010CHC</i>	<i>ROTOR TWIN BLADE - ZP3 30/34 (STD - CIP) - ALLOY 88 - HOT CHOCOLATE</i>	2
	<i>P3RTB0300102C0</i>	<i>ROTOR TWIN BLADE - ZP3 30/34 (STD - CIP) - 316L</i>	2
45	V70130	O-RING, ROTOR NUT (VITON) - ZP3 30/34/40	2
	<i>N70130</i>	<i>O-RING, ROTOR NUT (BUNA) - ZP3 30/34/40</i>	2
	<i>E70130</i>	<i>O-RING, ROTOR NUT (EPDM) - ZP3 30/34/40</i>	2
46	V70115	O-RING, RETAINER (VITON) - ZP3 30/34/40	2
	<i>N70115</i>	<i>O-RING, RETAINER (BUNA) - ZP3 30/34/40</i>	2
	<i>E70115</i>	<i>O-RING, RETAINER (EPDM) - ZP3 30/34/40</i>	2
47	P2GX101692	BELLEVILLE WASHER, SS - ZP3 30/34/40	2
48	P2SX101805	ROTOR NUT - ZP3 30/34/40	2
49	V70259	O-RING, COVER (VITON) - ZP3 30/34/40	1
	<i>N70259</i>	<i>O-RING, COVER (BUNA) - ZP3 30/34/40</i>	1
	<i>E70259</i>	<i>O-RING, COVER (EPDM) - ZP3 30/34/40</i>	1
	<i>SE70259</i>	<i>O-RING, COVER (FEP ENCAPSULATED SILICONE) - ZP3 30/34/40</i>	1
56	P3GS030014009	ROTOR SEAL FACE (C) - ZP3 30/34/40	2
	<i>P3GS030014000</i>	<i>ROTOR SEAL FACE (TC) - ZP3 30/34/40</i>	2
57	P3GS030306000	BODY SEAL FACE (TC) - ZP3 30/34/40	2
58	V70134	O-RING, BODY SEAL FACE (VITON) - ZP3 30/34/40	2
	<i>N70134</i>	<i>O-RING, BODY SEAL FACE (BUNA) - ZP3 30/34/40</i>	2
	<i>E70134</i>	<i>O-RING, BODY SEAL FACE (EPDM) - ZP3 30/34/40</i>	2
59	P3GS030304000	SEAL WAVE SPRING - ZP3 30/34/40	2
60	P3SX030098000	SEAL SLEEVE, OLD DESIGN - ZP3 034	2



Double Mechanical Seal

Optional Items Shown in ITALICS

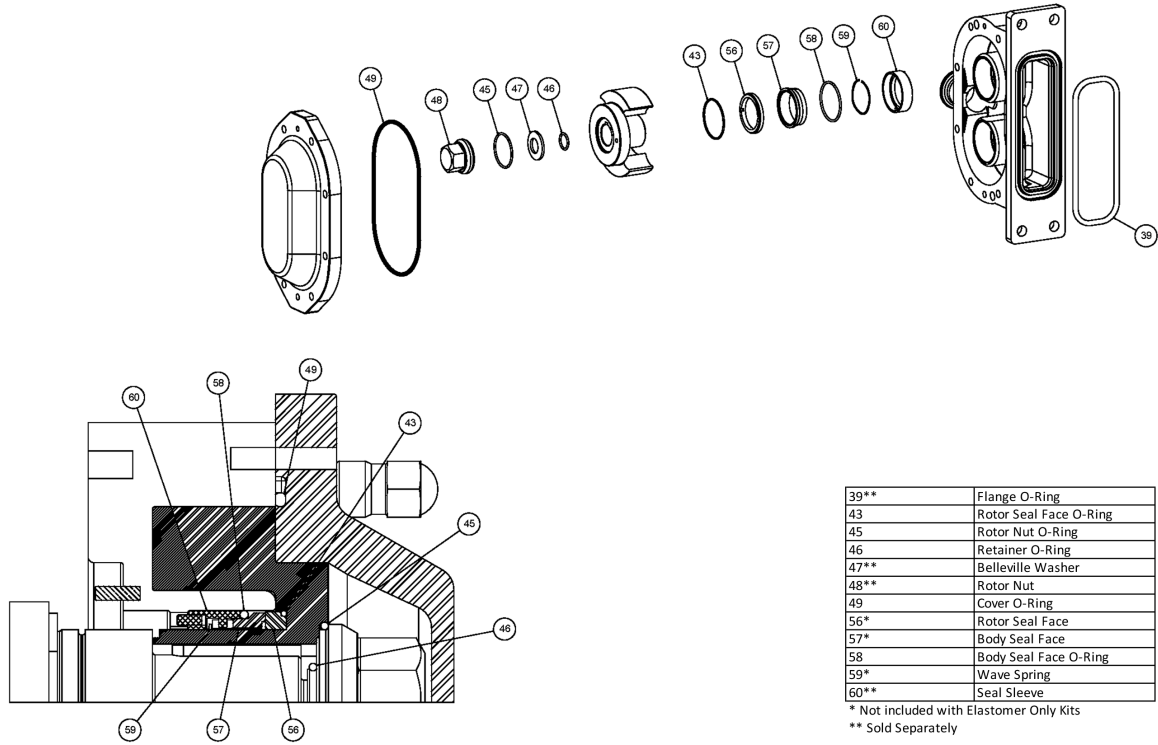
Ref #	Component Item No.	Description	Qty Per
61	V70029	O-RING, SHAFT (VITON) - ZP3 30/34/40	2
	<i>N70029</i>	<i>O-RING, SHAFT (BUNA) - ZP3 30/34/40</i>	2
	<i>E70029</i>	<i>O-RING, SHAFT (EPDM) - ZP3 30/34/40</i>	2
62	P2GS101670	SEAL SEAT (K) - ZP3 30/34/40	2
	<i>P2GS101671</i>	<i>SEAL SEAT (C) - ZP3 30/34/40</i>	2
63	P2GS101680	OUTER SEAL (N) - ZP3 30/34/40	2
64	V70041	O-RING, OUTER SEAL (VITON) - ZP3 30/34/40	2
	<i>N70041</i>	<i>O-RING, OUTER SEAL (BUNA) - ZP3 30/34/40</i>	2
	<i>E70041</i>	<i>O-RING, OUTER SEAL (EPDM) - ZP3 30/34/40</i>	2
65	P2GS101686	OUTER SEAL WAVE SPRING - ZP3 30/34/40	2
66	V70127	O-RING, ROTOR HUB (VITON) - ZP3 30/34/40	2
	<i>N70127</i>	<i>O-RING, ROTOR HUB (BUNA) - ZP3 30/34/40</i>	2
	<i>E70127</i>	<i>O-RING, ROTOR HUB (EPDM) - ZP3 30/34/40</i>	2



Pressure Relief Cover

Optional Items Shown in ITALICS

Ref #	Component Item No.	Description	Qty Per
67	P3CVR103670	VENTED FRONT COVER, ZP3 - 30/34/40	1
68	P1GXAD0078V00	RUBBER DIAPHRAGM, VITON, ZP1 & ZP2 & ZP3 - 6/15/18/30/34/40	1
	<i>P1GXAD0078000</i>	<i>RUBBER DIAPHRAGM, BUNA, ZP1 & ZP2 & ZP3 - 6/15/18/30/34/40</i>	1
	<i>P1GXAD0078EP0</i>	<i>RUBBER DIAPHRAGM, EPDM, ZP1 & ZP2 & ZP3 - 6/15/18/30/34/40</i>	1
69	P1SXAD0077000	DIAPHRAGM BUSHING, ZP1 & ZP2 & ZP3 - 6/15/18/30/34/40	1
70	P1SXAD0073000	SPRING PLUNGER, ZP1 & ZP2 & ZP3 - 6/15/18/30/34/40	1
71	P1SXAD0076000	SPRING, MEDIUM, (LESS THAN 150 PSI), ZP1 & ZP2 & ZP3 - 6/15/18/30/34/40	1
	<i>P1SXABB076100</i>	<i>SPRING, HIGH, (MORE THAN 150 PSI), ZP1 & ZP2 & ZP3 - 6/15/18/30/34/40</i>	1
72	P1SXAD0075000	COVER NUT, ZP1 & ZP2 & ZP3 - 6/15/18/30/34/40	1
73	P1SXAD0074000	LOCKNUT, ZP1 & ZP2 & ZP3 - 6/15/18/30/34/40	1
74	P1SXAD0072000	ADJUSTING SCREW, ZP1 & ZP2 & ZP3 - 6/15/18/30/34/40	1



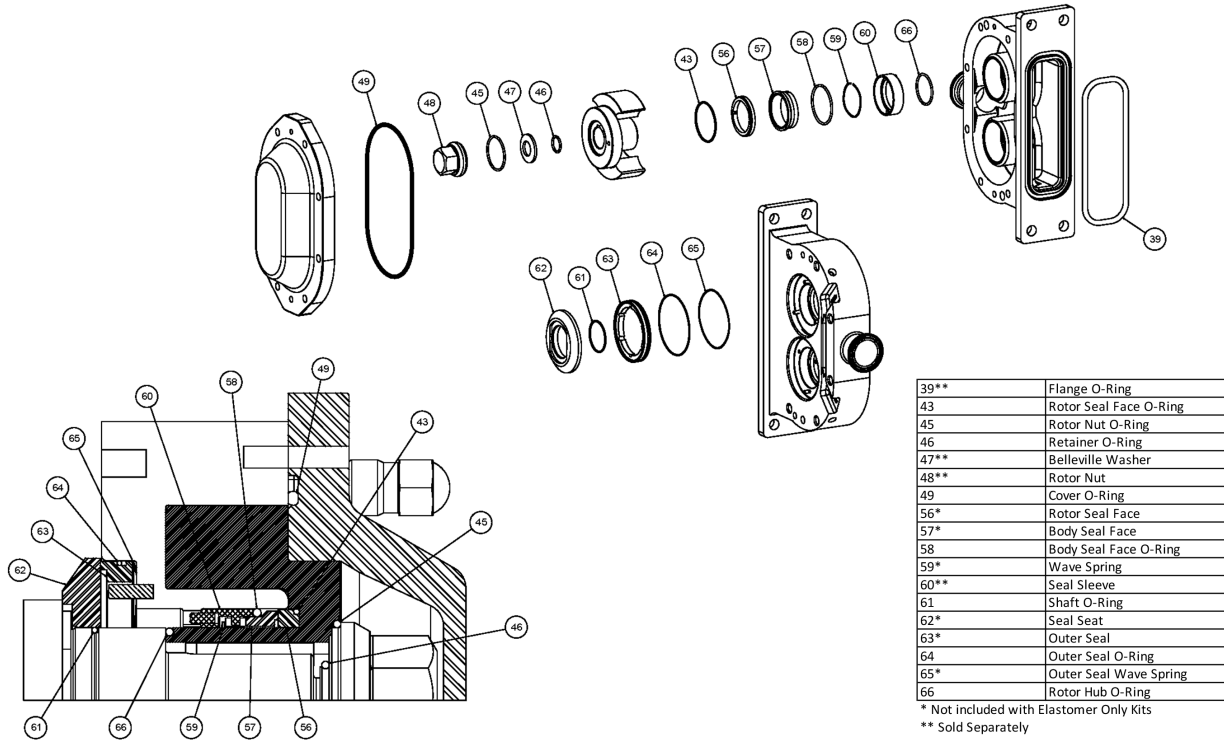
39**	Flange O-Ring
43	Rotor Seal Face O-Ring
45	Rotor Nut O-Ring
46	Retainer O-Ring
47**	Belleville Washer
48**	Rotor Nut
49	Cover O-Ring
56*	Rotor Seal Face
57*	Body Seal Face
58	Body Seal Face O-Ring
59*	Wave Spring
60**	Seal Sleeve

* Not included with Elastomer Only Kits
** Sold Separately

Single Mechanical Seal Kit

Optional Items Shown in ITALICS

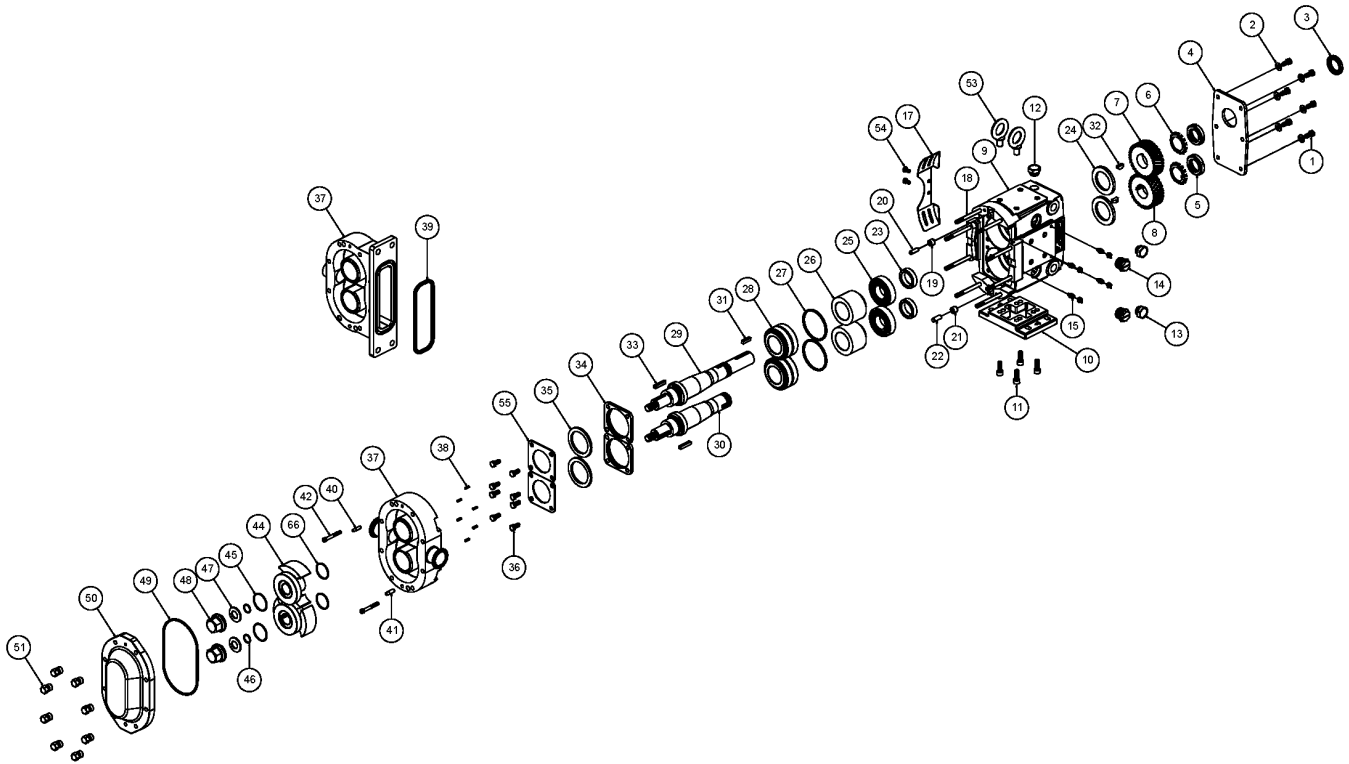
Ref #	Component Item No.	Description	Qty Per
1	P3GX030000-V	SEAL KIT, SGL MECH, ELASTOMERS ONLY, VITON - ZP3 30/34/40	1
	<i>P3GX030000-N</i>	<i>SEAL KIT, SGL MECH, ELASTOMERS ONLY, BUNA - ZP3 30/34/40</i>	<i>1</i>
	<i>P3GX030000-E</i>	<i>SEAL KIT, SGL MECH, ELASTOMERS ONLY, EPDM - ZP3 30/34/40</i>	<i>1</i>
3	P3GS030000-V	SEAL KIT, SGL MECH, TC/SC, VITON - ZP3 30/34/40	1
	<i>P3GS030000-N</i>	<i>SEAL KIT, SGL MECH, TC/SC, BUNA - ZP3 30/34/40</i>	<i>1</i>
	<i>P3GS030000-E</i>	<i>SEAL KIT, SGL MECH, TC/SC, EPDM - ZP3 30/34/40</i>	<i>1</i>
47	P2GX101692	BELLEVILLE WASHER, SS - ZP3 30/34/40	2
48	P2SX101805	ROTOR NUT - ZP3 30/34/40	2
60	P3SX030098000	SEAL SLEEVE, OLD DESIGN - ZP3 034	2



Double Mechanical Seal Kit

Optional Items Shown in ITALICS

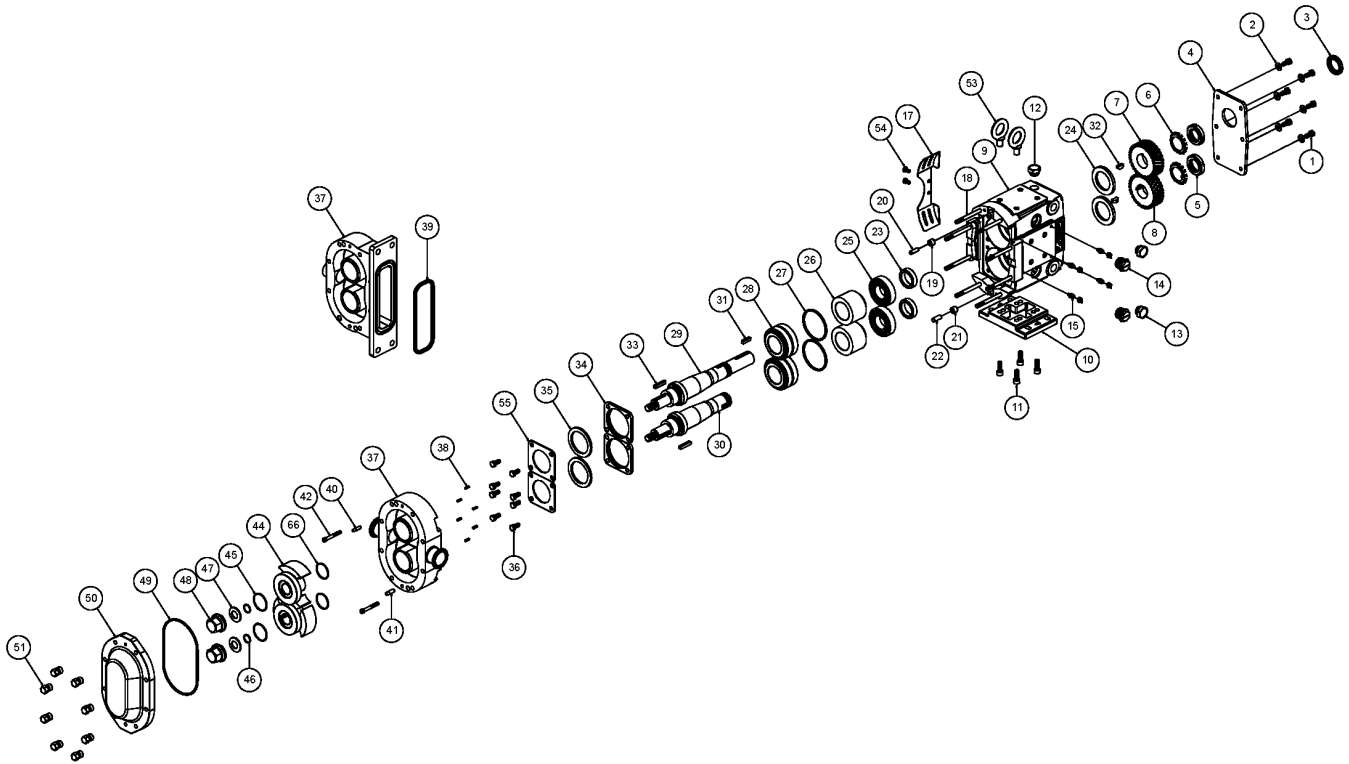
Ref #	Component Item No.	Description	Qty Per
1	P3GX030000-V	SEAL KIT, DBL MECH, ELASTOMERS ONLY, VITON - ZP3 30/34/40	1
	<i>P3GX030000-N</i>	<i>SEAL KIT, DBL MECH, ELASTOMERS ONLY, BUNA - ZP3 30/34/40</i>	<i>1</i>
	<i>P3GX030000-E</i>	<i>SEAL KIT, DBL MECH, ELASTOMERS ONLY, EPDM - ZP3 30/34/40</i>	<i>1</i>
3	P3GS030000-V	SEAL KIT, DBL MECH, TC/SC - CE/CA, VITON - ZP3 30/34/40	1
	<i>P3GS030000-N</i>	<i>SEAL KIT, DBL MECH, TC/SC - CE/CA, BUNA - ZP3 30/34/40</i>	<i>1</i>
	<i>P3GS030000-E</i>	<i>SEAL KIT, DBL MECH, TC/SC - CE/CA, EPDM - ZP3 30/34/40</i>	<i>1</i>
5	P3GS030000-V	SEAL KIT, DBL MECH, TC/SC - SC/CA, VITON - ZP3 30/34/40	1
	<i>P3GS030000-N</i>	<i>SEAL KIT, DBL MECH, TC/SC - SC/CA, BUNA - ZP3 30/34/40</i>	<i>1</i>
	<i>P3GS030000-E</i>	<i>SEAL KIT, DBL MECH, TC/SC - SC/CA, EPDM - ZP3 30/34/40</i>	<i>1</i>
47	P2GX101692	BELLEVILLE WASHER, SS - ZP3 30/34/40	2
48	P2SX101805	ROTOR NUT - ZP3 30/34/40	2
60	P3SX030098000	SEAL SLEEVE, OLD DESIGN - ZP3 034	2



Exploded View

Optional Items Shown in ITALICS

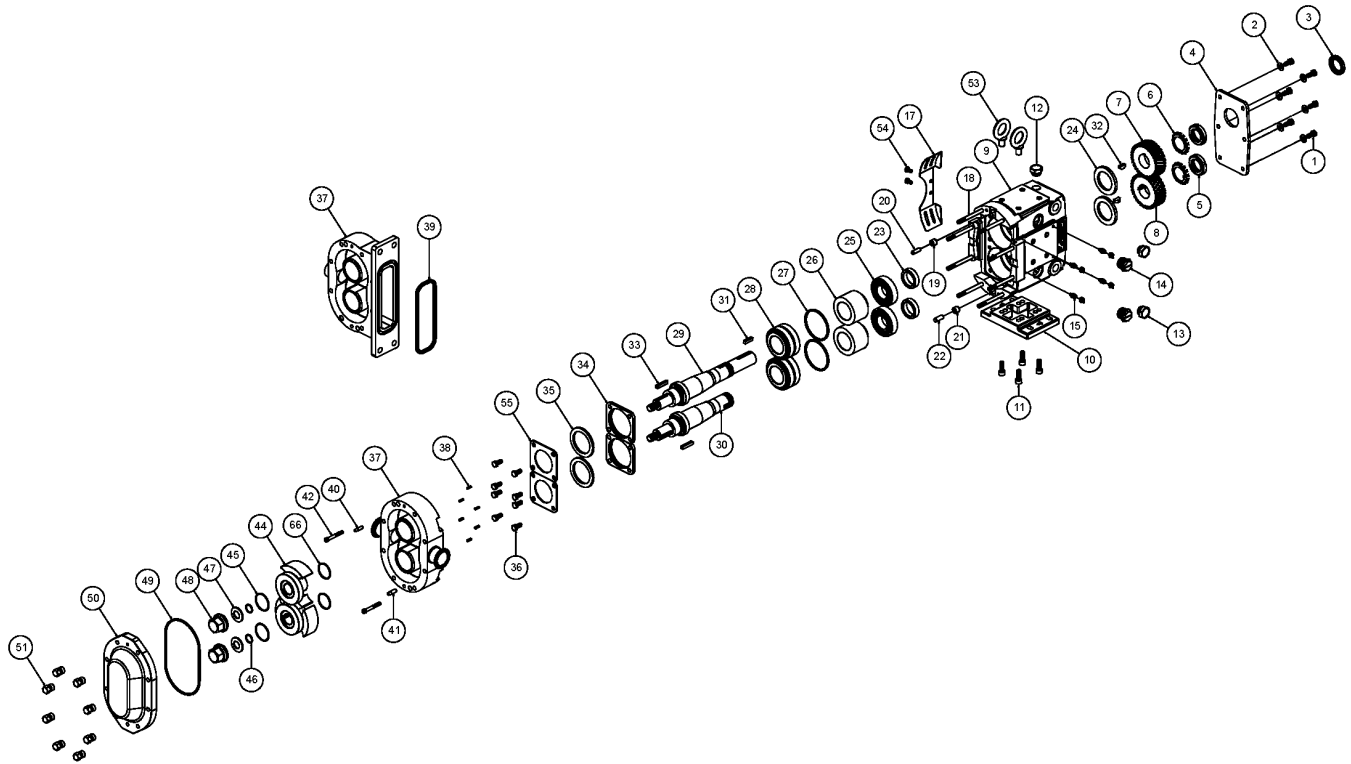
Ref #	Component Item No.	Description	Qty Per
1	P1GX30-58	1/4-20 X 3/4" HHCS, G.CASE COVER, SS - ZP3 30/34/40	6
2	P1GX43-108	FLAT WASHER, G CASE COVER, 1/4 X 5/8 OD, SS - ZP3 30/34/40	6
3	P1GX000030013	OIL SEAL, GEAR CASE COVER - ZP3 30/34/40	1
4	P1SX040106000	GEAR CASE COVER, SS - ZP3 30/34/40	1
5	P1GXCD0036N00	GEAR LOCKNUT - ZP3 30/34/40	2
6	P1GXCD0036W00	GEAR LOCKWASHER - ZP3 30/34/40	2
7	P1GX030007001	GEAR DRIVE SHAFT - ZP3 30/34/40	1
8	P1GX030007002	GEAR SHORT SHAFT - ZP3 30/34/40	1
9	P1SX040005000	GEAR CASE, SS - ZP3 30/34/40	1
10	P1SX040110000	GEAR CASE BASE, SS - ZP3 30/34/40	1
11	P1GX30SHCSGCB	SHCS, G. CASE BASE, (18-8 SS) 3/8-16 X 1 - ZP3 30/34/40	4
12	P1GX115798	PLUG,HEX,20M X1.5,W/NBR SEAL	5
13	P1GX115799	GAUGE,OIL,LVL,INDIC,M-20X1.5	1
14	P1GX70PLUG-SS	CLEAN OUT PLUG, SS - ZP3 30/34/40	4
15	P1GXBD0092001	GREASE FITTING, THREADED 1/4"-28 TAPER, SS	8
17	P1SX040CEGUARD	GUARD,30/34,(CE),GC,,SS	2
18	P1GX118897	STUD, ZP3 40	8
	<i>P1GX118898</i>	<i>STUD, JACKETED COVER, ZP3 40</i>	8
19	P1GXBD0116000	UPPER DOWEL BUSHING - ZP3 30/34/40	1
20	P1GX124582	DOWEL PIN - ZP3 30/34/40	1
21	P1GXBD0116100	LOWER DOWEL BUSHING - ZP3 30/34/40	1
22	P1GX124583	DOWEL PIN - ZP3 30/34/40	1
23	P1GX030055000	GEAR TO REAR BEARING SPACER - ZP3 30/34/40	2
24	P1GX000030014	OIL SEAL, REAR - ZP3 30/34/40	2
25	P1GX030035000	REAR BEARING - ZP3 30/34/40	2
26	P1GX101815	BEARING SPACER - ZP3 30/34/40	2
27	P1GX117890	SHIM KIT - ZP3 30/34/40	2



Exploded View

Optional Items Shown in ITALICS

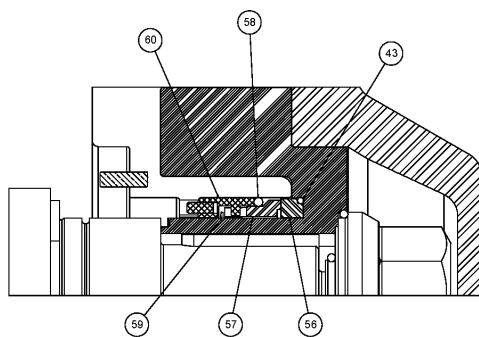
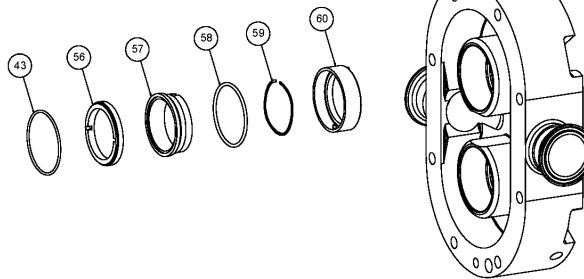
Ref #	Component Item No.	Description	Qty Per
28	P1GX101715	FRONT BEARING - ZP3 30/34/40	2
29	P2SX118722	DRIVE SHAFT (17-4PH) - ZP3 40	1
30	P2SX118723	SHORT SHAFT (17-4PH) - ZP3 40	1
31	P1GX000037002	DRIVE KEY, 1/4" SQ. X 1" - ZP3 30/34/40	1
32	P1GXBD0037000	GEAR KEY - ZP3 30/34/40	2
33	P2SX101821	ROTOR KEY - ZP3 30/34/40	2
34	P1SX120333	BEARING RETAINER, NEW STYLE - ZP3 30/34/40	2
35	P1GX121680	GREASE SEAL FRONT BEARING RET. 3A - ZP3 30/34/40	2
36	P1GX30-283	5/16-18 X 3/4" HHCS, BRG RTR & G.CASE COVER - ZP3 30/34/40	8
37	P3BDY040001002	BODY - ZP3 40	1
	<i>P3BDY040001F02</i>	<i>BODY - ZP3 40 - FLUSHED</i>	1
38	P2GX101719	STOP PIN,SEAL - ZP3 30/34/40	6
40	P1GX124581	DOWEL PIN - ZP3 30/34/40	1
41	P1GX124582	DOWEL PIN - ZP3 30/34/40	1
42	P1GX40RETSCREW	BODY RETAINING SCREW, 1/4-20 X 2.5" - ZP3 40	2
44	P3RTB040010C00	ROTOR TWIN BLADE - ZP3 40 (STD - CIP) - ALLOY 88	2
	<i>P3RTB040010C0H</i>	<i>ROTOR TWIN BLADE - ZP3 40 (STD - CIP) - ALLOY 88 - HOT CLEARANCE</i>	2
45	V70130	O-RING, ROTOR NUT (VITON) - ZP3 30/34/40	2
	<i>N70130</i>	<i>O-RING, ROTOR NUT (BUNA) - ZP3 30/34/40</i>	2
	<i>E70130</i>	<i>O-RING, ROTOR NUT (EPDM) - ZP3 30/34/40</i>	2
46	V70115	O-RING, RETAINER (VITON) - ZP3 30/34/40	2
	<i>N70115</i>	<i>O-RING, RETAINER (BUNA) - ZP3 30/34/40</i>	2
	<i>E70115</i>	<i>O-RING, RETAINER (EPDM) - ZP3 30/34/40</i>	2
47	P2GX101692	BELLEVILLE WASHER, SS - ZP3 30/34/40	2
48	P2SX101805	ROTOR NUT - ZP3 30/34/40	2
49	V70259	O-RING, COVER (VITON) - ZP3 30/34/40	1
	<i>N70259</i>	<i>O-RING, COVER (BUNA) - ZP3 30/34/40</i>	1



Exploded View

Optional Items Shown in ITALICS

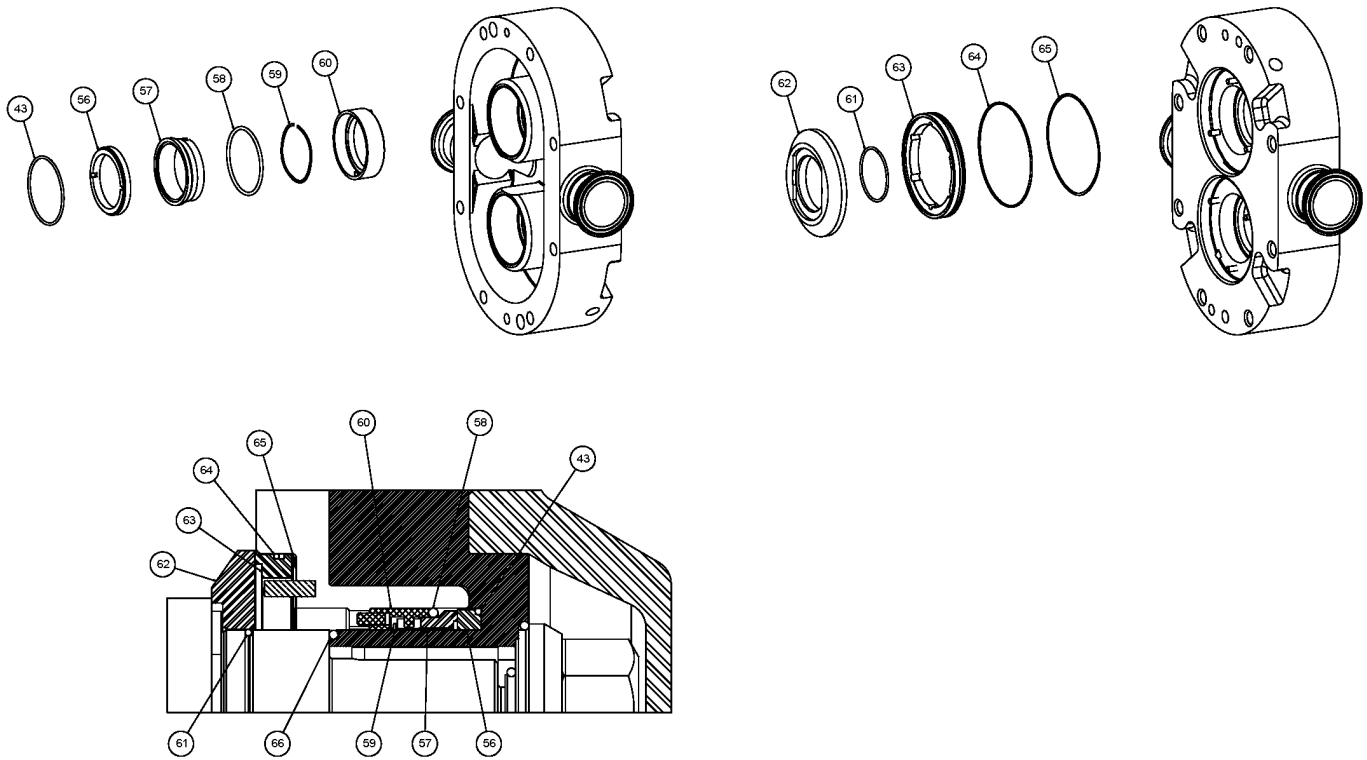
Ref #	Component Item No.	Description	Qty Per
49	<i>E70259</i>	<i>O-RING, COVER (EPDM) - ZP3 30/34/40</i>	1
	<i>SE70259</i>	<i>O-RING, COVER (FEP ENCAPSULATED SILICONE) - ZP3 30/34/40</i>	1
50	P3CVR101845	COVER - ZP3 30/34/40	1
	<i>P3CVR107666</i>	<i>COVER, JACKETED - ZP3 30/34/40</i>	1
51	P1SX108370	COVER HEX NUT - ZP3 30/34/40	8
	<i>P1GX105851</i>	<i>WING NUT - ZP1 30/34/40</i>	8
54	P1GX000CENAIL	DRIVENAIL,ZP,GEAR CASE GUARDS	4
55	P1SX040SPLATE	BEARING RETAINER SPLASH PLATE - ZP3 30/34/40	2
60	P3SX040098000	SEAL SLEEVE, NEW DESIGN - ZP3 30/40	2
66	V70127	O-RING, ROTOR HUB (VITON) - ZP3 30/34/40	2
	<i>N70127</i>	<i>O-RING, ROTOR HUB (BUNA) - ZP3 30/34/40</i>	2
	<i>E70127</i>	<i>O-RING, ROTOR HUB (EPDM) - ZP3 30/34/40</i>	2



Single Mechanical Seal

Optional Items Shown in ITALICS

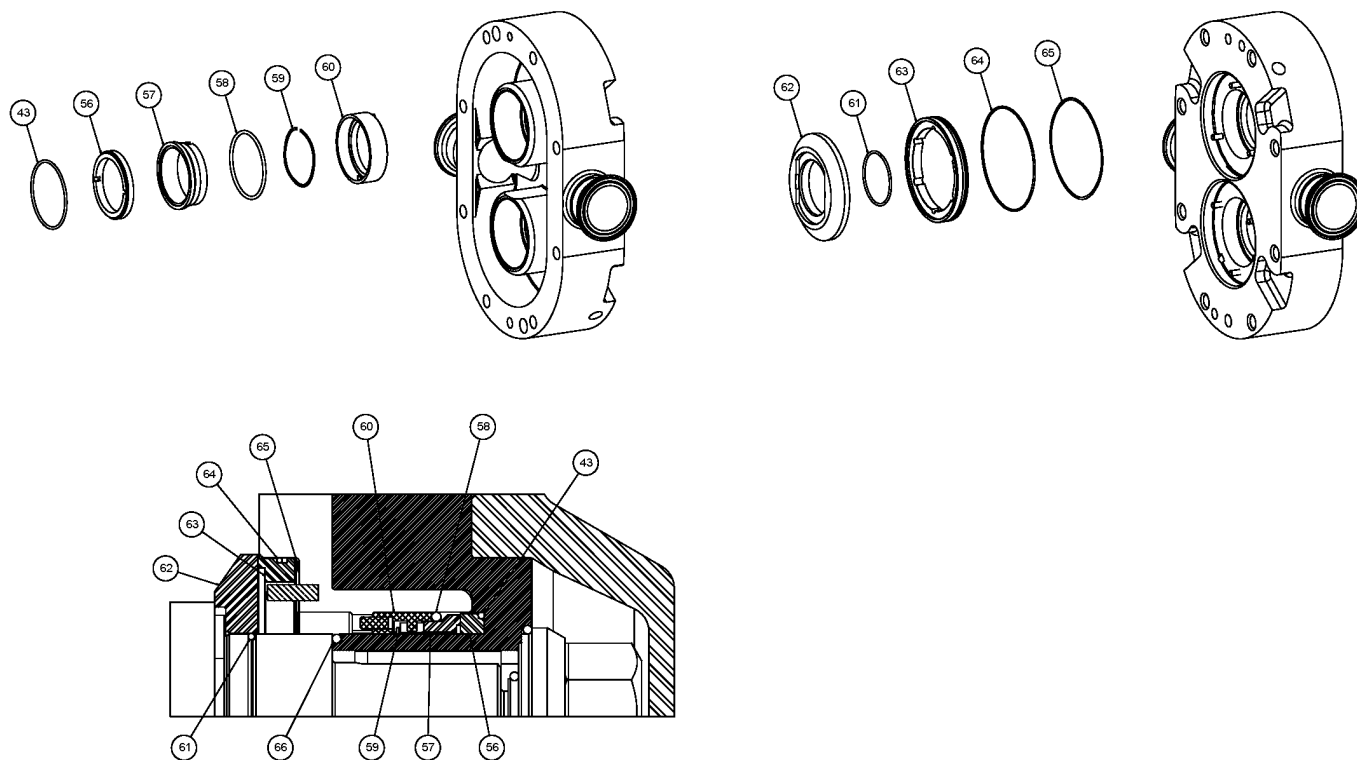
Ref #	Component Item No.	Description	Qty Per
43	V70032	O-RING, ROTOR SEAL FACE (VITON) ZP3 30/34/40	2
	<i>N70032</i>	<i>O-RING, ROTOR SEAL FACE (BUNA) ZP3 30/34/40</i>	2
	<i>E70032</i>	<i>O-RING, ROTOR SEAL FACE (EPDM) ZP3 30/34/40</i>	2
56	P3GS030014009	ROTOR SEAL FACE (C) - ZP3 30/34/40	2
	<i>P3GS030014000</i>	<i>ROTOR SEAL FACE (TC) - ZP3 30/34/40</i>	2
57	P3GS030306000	BODY SEAL FACE (TC) - ZP3 30/34/40	2
58	V70134	O-RING, BODY SEAL FACE (VITON) - ZP3 30/34/40	2
	<i>N70134</i>	<i>O-RING, BODY SEAL FACE (BUNA) - ZP3 30/34/40</i>	2
	<i>E70134</i>	<i>O-RING, BODY SEAL FACE (EPDM) - ZP3 30/34/40</i>	2
59	P3GS030304000	SEAL WAVE SPRING - ZP3 30/34/40	2



Double Mechanical Seal

Optional Items Shown in ITALICS

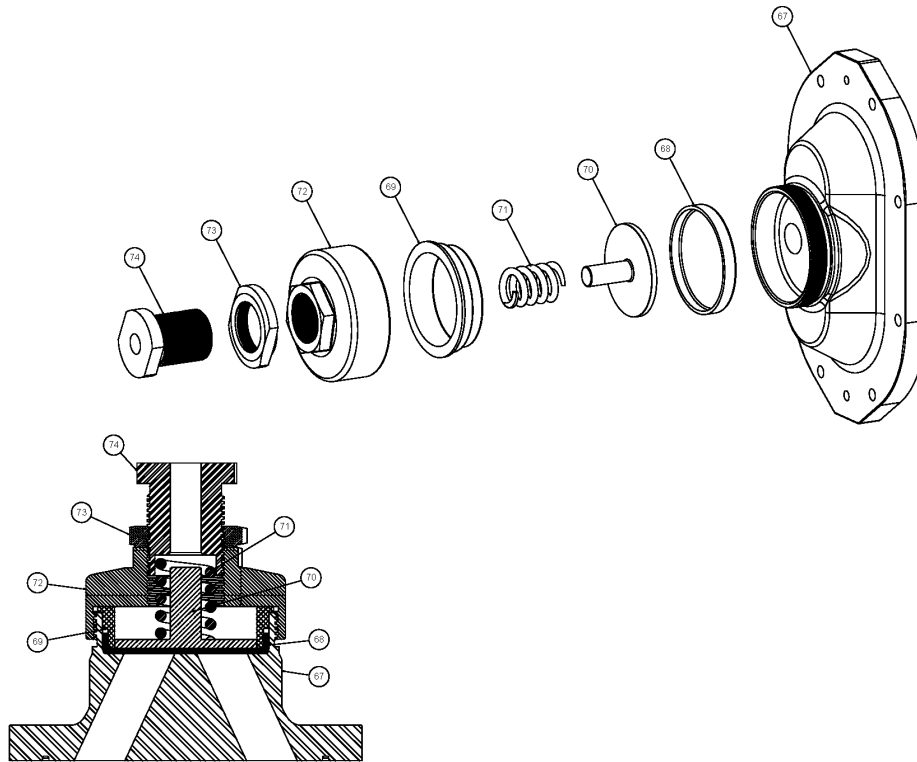
Ref #	Component Item No.	Description	Qty Per
43	V70032	O-RING, ROTOR SEAL FACE (VITON) ZP3 30/34/40	2
	<i>N70032</i>	<i>O-RING, ROTOR SEAL FACE (BUNA) ZP3 30/34/40</i>	2
	<i>E70032</i>	<i>O-RING, ROTOR SEAL FACE (EPDM) ZP3 30/34/40</i>	2
44	P3RTB040010C00	ROTOR TWIN BLADE - ZP3 40 (STD - CIP) - ALLOY 88	2
	<i>P3RTB040010C0H</i>	<i>ROTOR TWIN BLADE - ZP3 40 (STD - CIP) - ALLOY 88 - HOT CLEARANCE</i>	2
45	V70130	O-RING, ROTOR NUT (VITON) - ZP3 30/34/40	2
	<i>N70130</i>	<i>O-RING, ROTOR NUT (BUNA) - ZP3 30/34/40</i>	2
	<i>E70130</i>	<i>O-RING, ROTOR NUT (EPDM) - ZP3 30/34/40</i>	2
46	V70115	O-RING, RETAINER (VITON) - ZP3 30/34/40	2
	<i>N70115</i>	<i>O-RING, RETAINER (BUNA) - ZP3 30/34/40</i>	2
	<i>E70115</i>	<i>O-RING, RETAINER (EPDM) - ZP3 30/34/40</i>	2
47	P2GX101692	BELLEVILLE WASHER, SS - ZP3 30/34/40	2
48	P2SX101805	ROTOR NUT - ZP3 30/34/40	2
49	V70259	O-RING, COVER (VITON) - ZP3 30/34/40	1
	<i>N70259</i>	<i>O-RING, COVER (BUNA) - ZP3 30/34/40</i>	1
	<i>E70259</i>	<i>O-RING, COVER (EPDM) - ZP3 30/34/40</i>	1
	<i>SE70259</i>	<i>O-RING, COVER (FEP ENCAPSULATED SILICONE) - ZP3 30/34/40</i>	1
56	P3GS030014009	ROTOR SEAL FACE (C) - ZP3 30/34/40	2
	<i>P3GS030014000</i>	<i>ROTOR SEAL FACE (TC) - ZP3 30/34/40</i>	2
57	P3GS030306000	BODY SEAL FACE (TC) - ZP3 30/34/40	2
58	V70134	O-RING, BODY SEAL FACE (VITON) - ZP3 30/34/40	2
	<i>N70134</i>	<i>O-RING, BODY SEAL FACE (BUNA) - ZP3 30/34/40</i>	2
	<i>E70134</i>	<i>O-RING, BODY SEAL FACE (EPDM) - ZP3 30/34/40</i>	2
59	P3GS030304000	SEAL WAVE SPRING - ZP3 30/34/40	2
61	V70029	O-RING, SHAFT (VITON) - ZP3 30/34/40	2
	<i>N70029</i>	<i>O-RING, SHAFT (BUNA) - ZP3 30/34/40</i>	2
	<i>E70029</i>	<i>O-RING, SHAFT (EPDM) - ZP3 30/34/40</i>	2



Double Mechanical Seal

Optional Items Shown in ITALICS

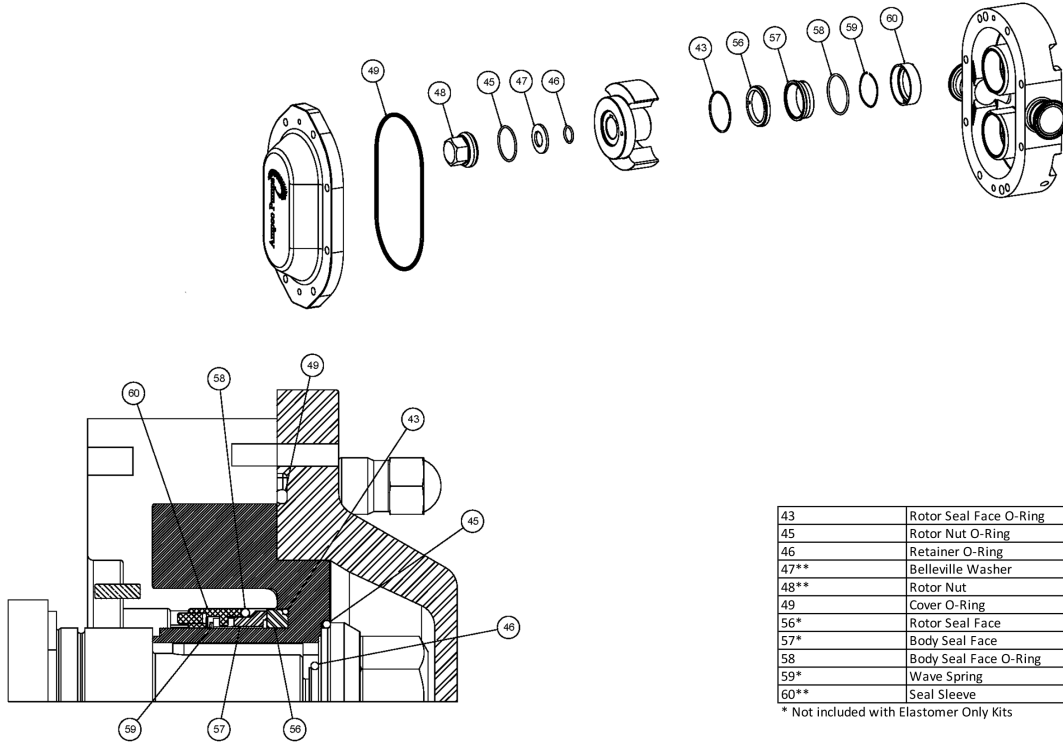
Ref #	Component Item No.	Description	Qty Per
62	P2GS101670	SEAL SEAT (K) - ZP3 30/34/40	2
	<i>P2GS101671</i>	<i>SEAL SEAT (C) - ZP3 30/34/40</i>	2
63	P2GS101680	OUTER SEAL (N) - ZP3 30/34/40	2
64	V70041	O-RING, OUTER SEAL (VITON) - ZP3 30/34/40	2
	<i>N70041</i>	<i>O-RING, OUTER SEAL (BUNA) - ZP3 30/34/40</i>	2
	<i>E70041</i>	<i>O-RING, OUTER SEAL (EPDM) - ZP3 30/34/40</i>	2
65	P2GS101686	OUTER SEAL WAVE SPRING - ZP3 30/34/40	2
66	V70127	O-RING, ROTOR HUB (VITON) - ZP3 30/34/40	2
	<i>N70127</i>	<i>O-RING, ROTOR HUB (BUNA) - ZP3 30/34/40</i>	2
	<i>E70127</i>	<i>O-RING, ROTOR HUB (EPDM) - ZP3 30/34/40</i>	2



Pressure Relief Cover

Optional Items Shown in ITALICS

Ref #	Component Item No.	Description	Qty Per
67	P3CVR103670	VENTED FRONT COVER, ZP3 - 30/34/40	1
68	P1GXAD0078V00	RUBBER DIAPHRAGM, VITON, ZP1 & ZP2 & ZP3 - 6/15/18/30/34/40	1
	<i>P1GXAD0078000</i>	<i>RUBBER DIAPHRAGM, BUNA, ZP1 & ZP2 & ZP3 - 6/15/18/30/34/40</i>	1
	<i>P1GXAD0078EP0</i>	<i>RUBBER DIAPHRAGM, EPDM, ZP1 & ZP2 & ZP3 - 6/15/18/30/34/40</i>	1
69	P1SXAD0077000	DIAPHRAGM BUSHING, ZP1 & ZP2 & ZP3 - 6/15/18/30/34/40	1
70	P1SXAD0073000	SPRING PLUNGER, ZP1 & ZP2 & ZP3 - 6/15/18/30/34/40	1
71	P1SXAD0076000	SPRING, MEDIUM, (LESS THAN 150 PSI), ZP1 & ZP2 & ZP3 - 6/15/18/30/34/40	1
	<i>P1SXABB076100</i>	<i>SPRING, HIGH, (MORE THAN 150 PSI), ZP1 & ZP2 & ZP3 - 6/15/18/30/34/40</i>	1
72	P1SXAD0075000	COVER NUT, ZP1 & ZP2 & ZP3 - 6/15/18/30/34/40	1
73	P1SXAD0074000	LOCKNUT, ZP1 & ZP2 & ZP3 - 6/15/18/30/34/40	1
74	P1SXAD0072000	ADJUSTING SCREW, ZP1 & ZP2 & ZP3 - 6/15/18/30/34/40	1



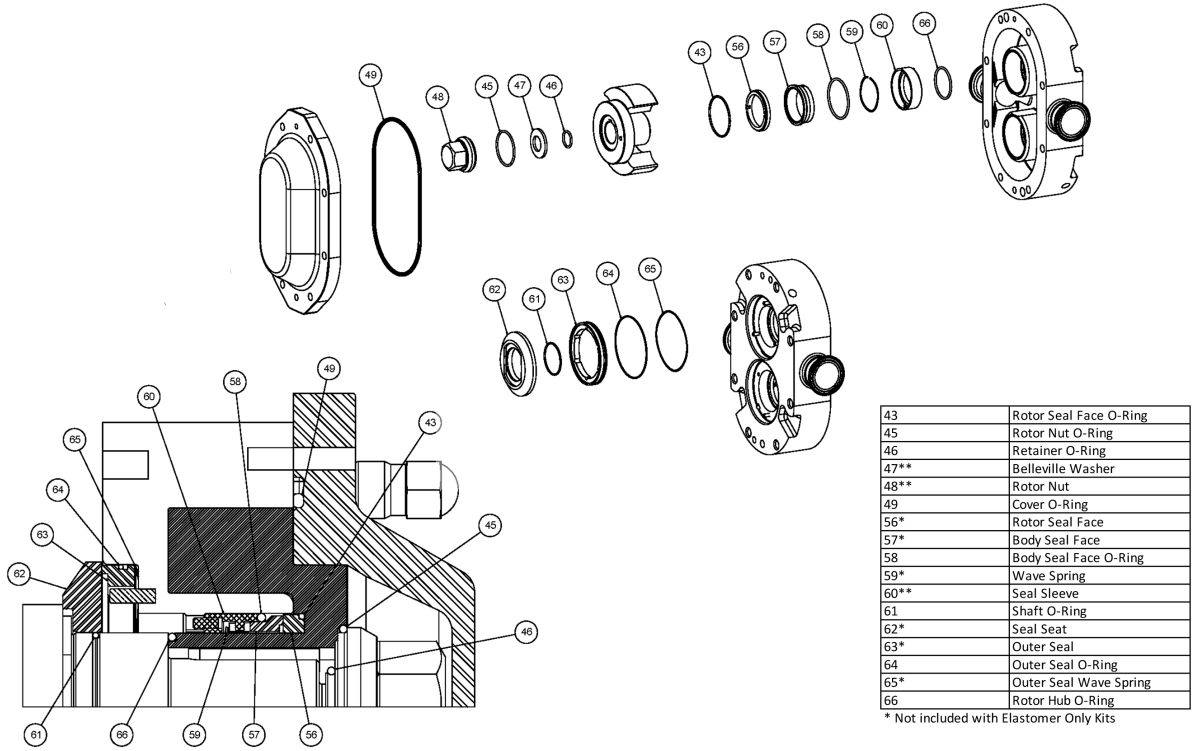
43	Rotor Seal Face O-Ring
45	Rotor Nut O-Ring
46	Retainer O-Ring
47**	Belleville Washer
48**	Rotor Nut
49	Cover O-Ring
56*	Rotor Seal Face
57*	Body Seal Face
58	Body Seal Face O-Ring
59*	Wave Spring
60**	Seal Sleeve

* Not included with Elastomer Only Kits

Single Mechanical Seal Kit

Optional Items Shown in ITALICS

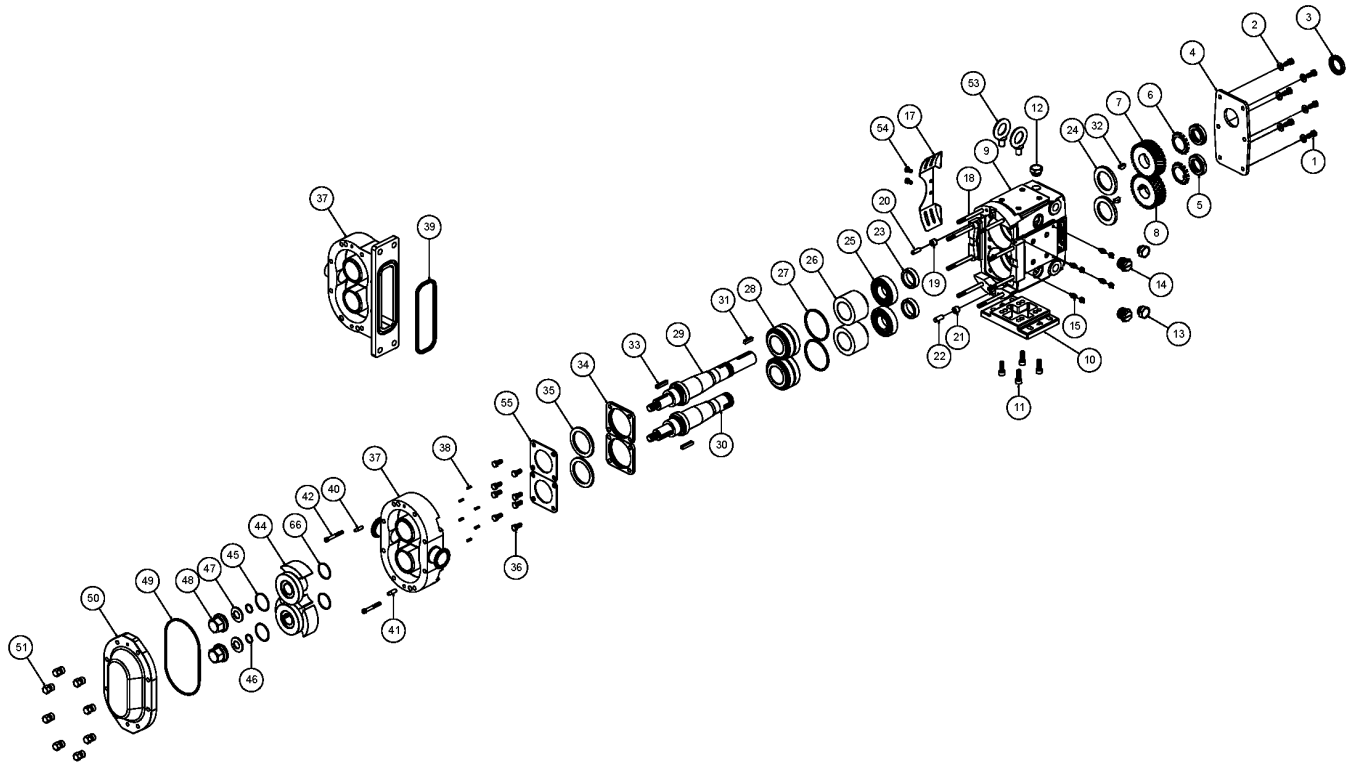
Ref #	Component Item No.	Description	Qty Per
1	P3GX030000-V	SEAL KIT, SGL MECH, ELASTOMERS ONLY, VITON - ZP3 30/34/40	1
	<i>P3GX030000-N</i>	<i>SEAL KIT, SGL MECH, ELASTOMERS ONLY, BUNA - ZP3 30/34/40</i>	<i>1</i>
	<i>P3GX030000-E</i>	<i>SEAL KIT, SGL MECH, ELASTOMERS ONLY, EPDM - ZP3 30/34/40</i>	<i>1</i>
3	P3GS030000-V	SEAL KIT, SGL MECH, TC/SC, VITON - ZP3 30/34/40	1
	<i>P3GS030000-N</i>	<i>SEAL KIT, SGL MECH, TC/SC, BUNA - ZP3 30/34/40</i>	<i>1</i>
	<i>P3GS030000-E</i>	<i>SEAL KIT, SGL MECH, TC/SC, EPDM - ZP3 30/34/40</i>	<i>1</i>
47	P2GX101692	BELLEVILLE WASHER, SS - ZP3 30/34/40	2
48	P2SX101805	ROTOR NUT - ZP3 30/34/40	2
60	P3SX040098000	SEAL SLEEVE, NEW DESIGN - ZP3 30/40	2



Double Mechanical Seal Kit

Optional Items Shown in ITALICS

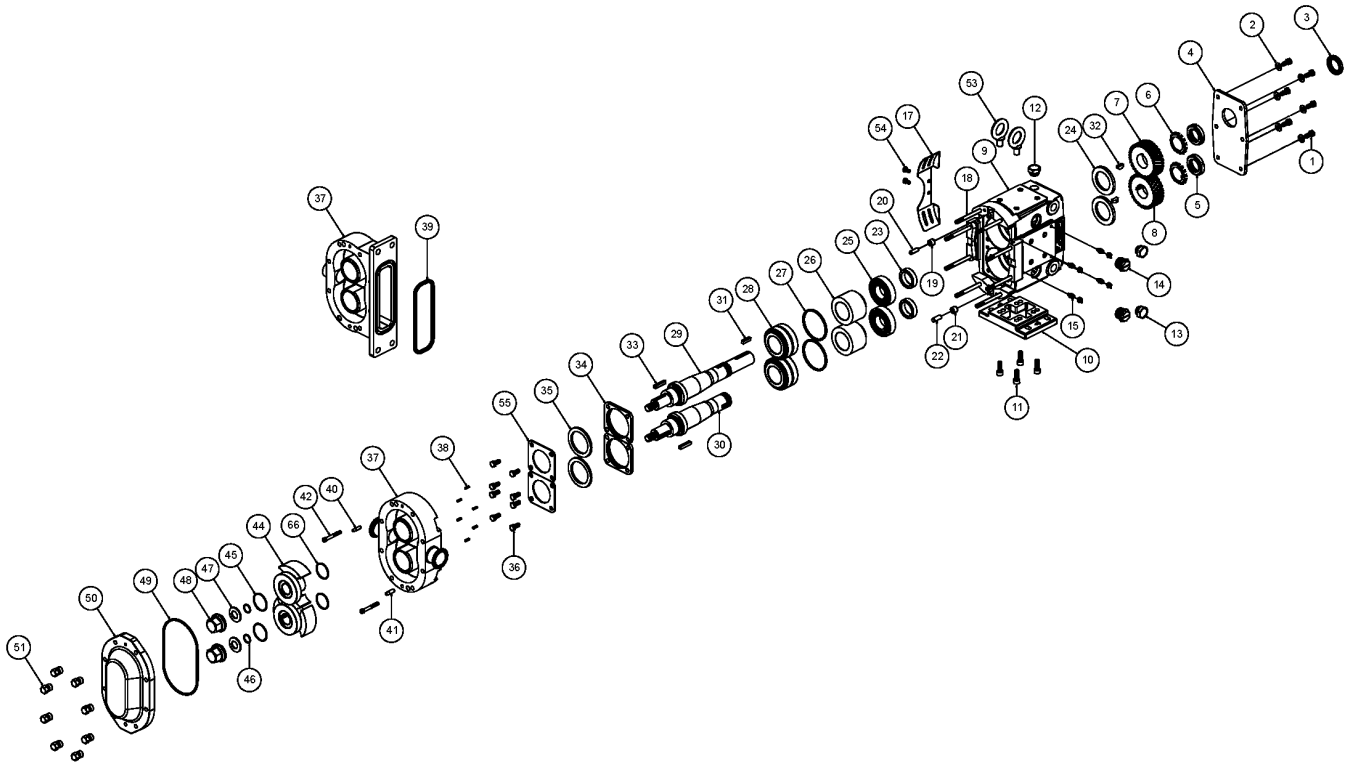
Ref #	Component Item No.	Description	Qty Per
1	P3GX030000-V	SEAL KIT, DBL MECH, ELASTOMERS ONLY, VITON - ZP3 30/34/40	1
	<i>P3GX030000-N</i>	<i>SEAL KIT, DBL MECH, ELASTOMERS ONLY, BUNA - ZP3 30/34/40</i>	<i>1</i>
	<i>P3GX030000-E</i>	<i>SEAL KIT, DBL MECH, ELASTOMERS ONLY, EPDM - ZP3 30/34/40</i>	<i>1</i>
3	P3GS030000-V	SEAL KIT, DBL MECH, TC/SC - CE/CA, VITON - ZP3 30/34/40	1
	<i>P3GS030000-N</i>	<i>SEAL KIT, DBL MECH, TC/SC - CE/CA, BUNA - ZP3 30/34/40</i>	<i>1</i>
	<i>P3GS030000-E</i>	<i>SEAL KIT, DBL MECH, TC/SC - CE/CA, EPDM - ZP3 30/34/40</i>	<i>1</i>
5	P3GS030000-V	SEAL KIT, DBL MECH, TC/SC - SC/CA, VITON - ZP3 30/34/40	1
	<i>P3GS030000-N</i>	<i>SEAL KIT, DBL MECH, TC/SC - SC/CA, BUNA - ZP3 30/34/40</i>	<i>1</i>
	<i>P3GS030000-E</i>	<i>SEAL KIT, DBL MECH, TC/SC - SC/CA, EPDM - ZP3 30/34/40</i>	<i>1</i>
47	P2GX101692	BELLEVILLE WASHER, SS - ZP3 30/34/40	2
48	P2SX101805	ROTOR NUT - ZP3 30/34/40	2
60	P3SX040098000	SEAL SLEEVE, NEW DESIGN - ZP3 30/40	2



Exploded View

Optional Items Shown in ITALICS

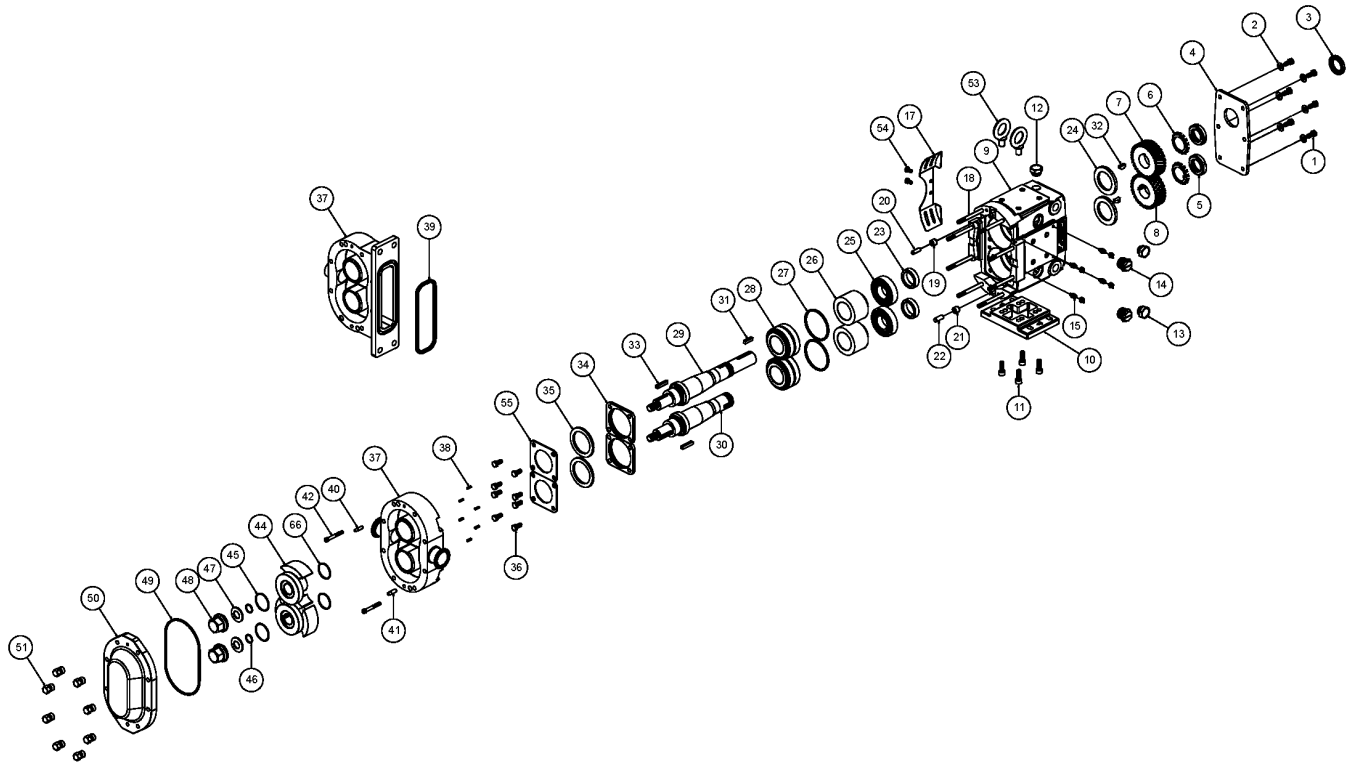
Ref #	Component Item No.	Description	Qty Per
1	P1GX30-50	GEAR CASE COVER BOLT - 3/8-16 X 3/4 HHCS (18-8 SS)	6
2	P1GX43-189	GEAR CASE COVER WASHER - 3/8 FLAT WASHER (18-8 SS)	6
3	P1GX000030012	OIL SEAL, GEAR CASE COVER - ZP3 45/60/64/130/134	1
4	P1SX070106000	GEAR CASE COVER, SS - ZP3 45/60/64/130/134	1
5	P1GXSTD236009	GEAR LOCKNUT - ZP3 45/60/64/130/134	2
6	P1GXSTD136009	GEAR LOCKWASHER - ZP3 45/60/64/130/134	2
7	P1GX060007001	GEAR DRIVE SHAFT - ZP3 45/60/64/130/134	1
8	P1GX060007002	GEAR SHORT SHAFT - ZP3 45/60/64/130/134	1
9	P1SX070005000	GEAR CASE, SS - ZP3 45/60/64/130/134	1
10	P1SX070110000	GEAR CASE BASE, SS - ZP3 45/60/64/130/134	1
11	P1GX60SHCSGCB	SHCS, G. CASE BASE, (18-8 SS) 1/2-13 X 1.5" - ZP3 45/60/64/130/134	4
12	P1GX115798	PLUG,HEX,20M X1.5,W/NBR SEAL	5
13	P1GX115799	GAUGE,OIL,LVL,INDIC,M-20X1.5	1
14	P1GX70PLUG-SS	CLEAN OUT PLUG, SS - ZP3 45/60/64/130/134	4
15	P1GXBD0092001	GREASE FITTING, THREADED 1/4"-28 TAPER, SS	8
17	P1SX070CEGUARD	GUARD,45-134,(CE),GC,SS	2
18	P2GX107242	STUD, ZP3 45	8
	<i>P2GX111584</i>	<i>STUD, JACKETED COVER, ZP3 45</i>	8
19	P1GXCD0116000	UPPER DOWEL BUSHING - ZP3 45/60/64/130/134	1
20	P1GX124584	DOWEL PIN - ZP3 45/60/64/130/134	1
21	P1GXCD0116100	LOWER DOWEL BUSHING - ZP3 45/60/64/130/134	1
22	P1GX124586	DOWEL PIN - ZP3 45/60/64/130/134	1
23	P1GX107187	GEAR TO REAR BEARING SPACER - ZP3 45/60/64/130/134	2
24	P1GX000030011	OIL SEAL REAR - ZP3 45/60/64/130/134	2
25	P1GX107186	REAR BEARING - ZP3 45/60/64/130/134	2
26	P1GX060055003	BEARING SPACER - ZP3 45/60/64/130/134	2
27	P1GX117891	SHIM KIT - ZP3 45/60/64/130/134	2



Exploded View

Optional Items Shown in ITALICS

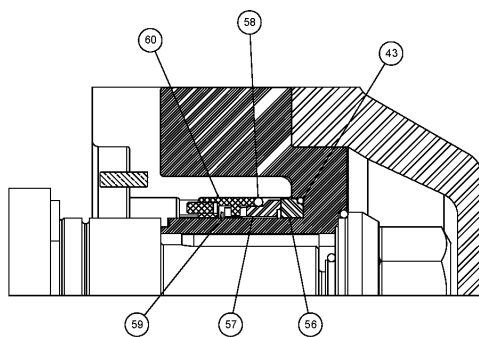
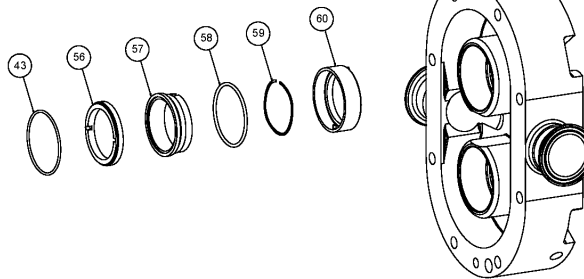
Ref #	Component Item No.	Description	Qty Per
28	P1GX060036000	FRONT BEARING - ZP3 45/60/64/130/134	2
29	P2SX110021	DRIVE SHAFT (17-4PH) - ZP3 45	1
30	P2SX110022	SHORT SHAFT (17-4PH) - ZP3 45	1
31	P1GX000037003	DRIVE KEY, 3/8" SQ. X 1-5/8" - ZP3 45/60/64/130/134	1
32	P1GX060037000	GEAR KEY - ZP3 45/60/64/130/134	2
33	P2SX110926	ROTOR KEY - ZP3 45	2
34	P1SX121828	BEARING RETAINER, NEW STYLE 3A - ZP3 45/60/64/130/134	2
35	P2GX101829	BEARING RETAINER GREASE SEAL - ZP3 45/60/64/130/134	2
36	GX5077200	BEARING RETAINER BOLT - 3/8-16 X 1-1/4 HHCS (18-8 SS)	8
37	P3BDY045001002	BODY - ZP3 45	1
	<i>P3BDY045001F02</i>	<i>BODY - ZP3 45 - FLUSHED</i>	1
38	P2GX101720	STOP PIN,SEAL - ZP3 45/60/64/130/134	6
40	P1GX124582	DOWEL PIN - ZP3 45/60/64/130/134	1
41	P1GX124583	DOWEL PIN - ZP3 45/60/64/130/134	1
42	P2GX45RETSCREW	BODY RETAINING SCREW, 3/8-16 X 2.5" SHCS SS - ZP3 45	2
44	P3RTB045010C00	ROTOR TWIN BLADE - ZP3 45 (STD-CIP) - ALLOY 88	2
	<i>P3RTB045010C0H</i>	<i>ROTOR TWIN BLADE - ZP3 45 (STD-CIP) - ALLOY 88 - HOT CLEARANCE</i>	2
	<i>P3RTB045010CHC</i>	<i>ROTOR TWIN BLADE - ZP3 45 (STD-CIP) - ALLOY 88 - HOT CHOCOLATE</i>	2
	<i>P3RTB0450102C0</i>	<i>ROTOR TWIN BLADE - ZP3 45 (STD-CIP) - 316L</i>	2
45	V70227	O-RING, ROTOR NUT (VITON) - ZP3 45/60/64/130/134	2
	<i>N70227</i>	<i>O-RING, ROTOR NUT (BUNA) - ZP3 45/60/64/130/134</i>	2
	<i>E70227</i>	<i>O-RING, ROTOR NUT (EPDM) - ZP3 45/60/64/130/134</i>	2
46	V70119	O-RING, RETAINER (VITON) - ZP3 45/60/64/130/134	2
	<i>N70119</i>	<i>O-RING, RETAINER (BUNA) - ZP3 45/60/64/130/134</i>	2
	<i>E70119</i>	<i>O-RING, RETAINER (EPDM) - ZP3 45/60/64/130/134</i>	2
47	P2GX101693	BELLEVILLE WASHER, SS - ZP3 45/60/64/130/134	2
48	P2SX101806	ROTOR NUT - ZP3 45/60/64/130/134	2



Exploded View

Optional Items Shown in ITALICS

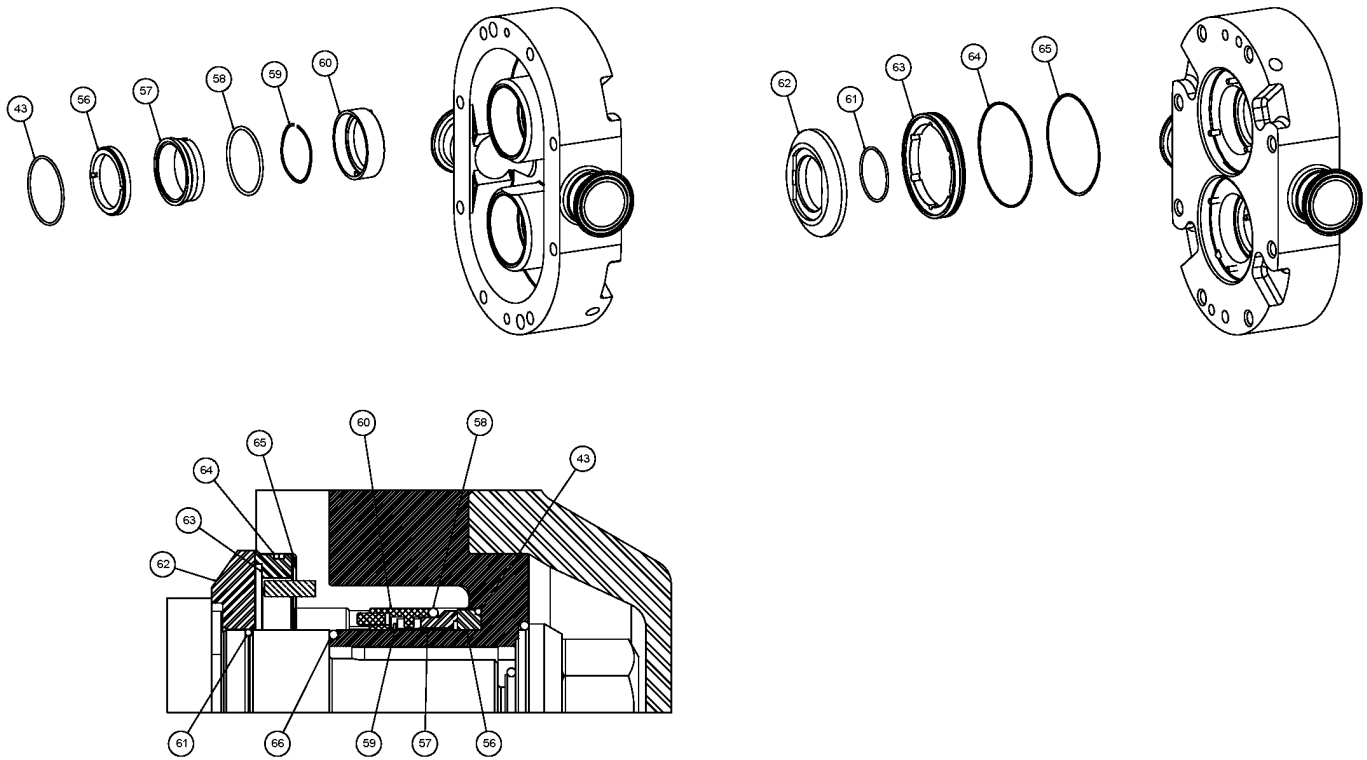
Ref #	Component Item No.	Description	Qty Per
49	V70373	O-RING, COVER (VITON) - ZP3 45/60/64/130/134	1
	<i>N70373</i>	<i>O-RING, COVER (BUNA) - ZP3 45/60/64/130/134</i>	<i>1</i>
	<i>E70373</i>	<i>O-RING, COVER (EPDM) - ZP3 45/60/64/130/134</i>	<i>1</i>
	<i>SE70373</i>	<i>O-RING, COVER (FEP ENCAPSULATED SILICONE) - ZP3 45/60/64/130/134</i>	<i>1</i>
50	P3CVR101848	COVER - ZP3 45/60/64/130/134	1
	<i>P3CVR107668</i>	<i>COVER, JACKETED - ZP3 45/60/64/130/134</i>	<i>1</i>
51	P1SX108371	COVER HEX NUT - ZP3 45/60/64/130/134	8
	<i>P1GX105852</i>	<i>WING NUT - ZP1 45/60/64/130/134</i>	<i>8</i>
53	P1GXEYEBOLT-SS	EYE BOLT,60-224,SS	2
54	P1GX000CENAIL	DRIVENAIL,ZP,GEAR CASE GUARDS	4
55	P2SX070SPLATE	BEARING RETAINER SPLASH PLATE - ZP3 45/60/64/130/134	2
60	P3SX070098000	SEAL SLEEVE, NEW DESIGN - ZP3 45/60/130	2
66	V70224	O-RING, ROTOR HUB (VITON) - ZP3 45/60/64/130/134	2
	<i>N70224</i>	<i>O-RING, ROTOR HUB (BUNA) - ZP3 45/60/64/130/134</i>	<i>2</i>
	<i>E70224</i>	<i>O-RING, ROTOR HUB (EPDM) - ZP3 45/60/64/130/134</i>	<i>2</i>



Single Mechanical Seal

Optional Items Shown in ITALICS

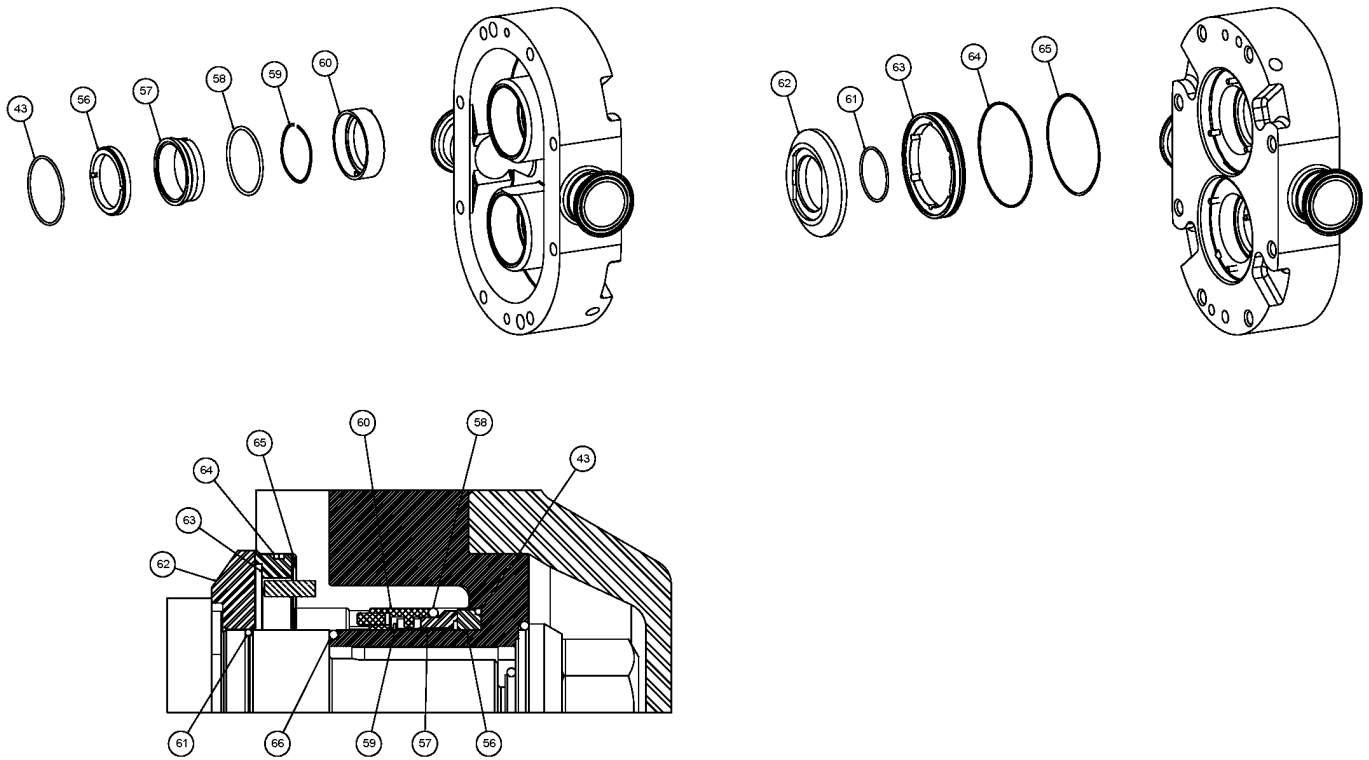
Ref #	Component Item No.	Description	Qty Per
43	V70036	O-RING, ROTOR SEAL FACE (VITON) - ZP3 45/60/64/130/134	2
	<i>N70036</i>	<i>O-RING, ROTOR SEAL FACE (BUNA) - ZP3 45/60/64/130/134</i>	2
	<i>E70036</i>	<i>O-RING, ROTOR SEAL FACE (EPDM) - ZP3 45/60/64/130/134</i>	2
56	P3GS060014009	ROTOR SEAL FACE (C) - ZP3 45/60/64/130/134	2
	<i>P3GS060014000</i>	<i>ROTOR SEAL FACE (TC) - ZP3 45/60/64/130/134</i>	2
57	P3GS060306000	BODY SEAL FACE (TC) - ZP3 45/60/64/130/134	2
58	V70141	O-RING, BODY SEAL FACE (VITON) - ZP3 45/60/64/130/134	2
	<i>N70141</i>	<i>O-RING, BODY SEAL FACE (BUNA) - ZP3 45/60/64/130/134</i>	2
	<i>E70141</i>	<i>O-RING, BODY SEAL FACE (EPDM) - ZP3 45/60/64/130/134</i>	2
59	P3GS060304000	SEAL WAVE SPRING - ZP3 45/60/64/130/134	2
60	P3SX070098000	SEAL SLEEVE, NEW DESIGN - ZP3 45/60/130	2



Double Mechanical Seal

Optional Items Shown in ITALICS

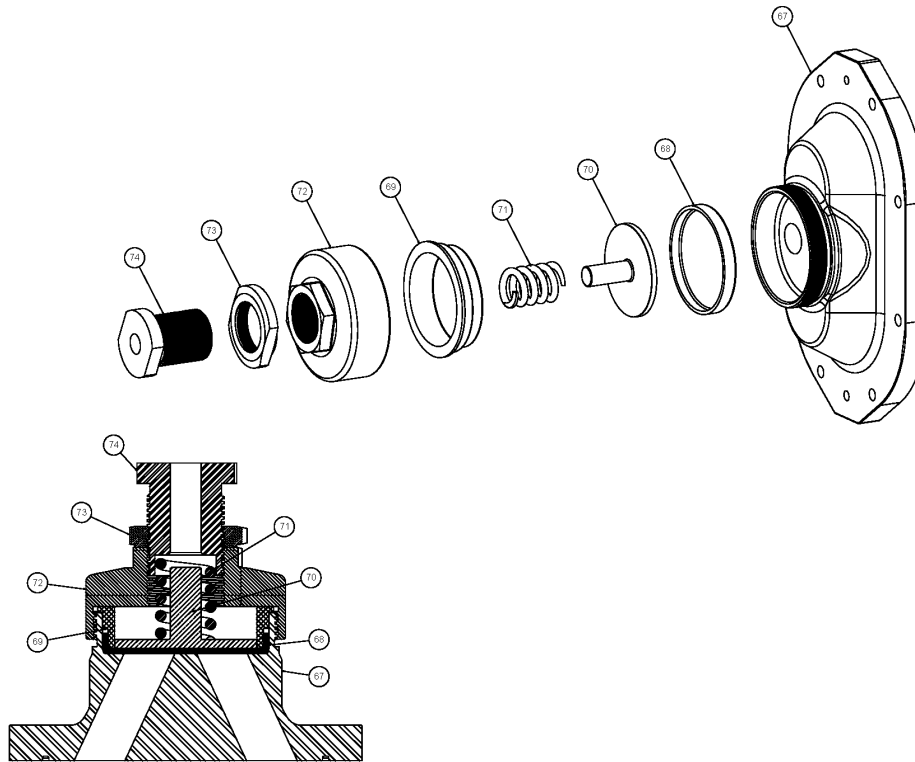
Ref #	Component Item No.	Description	Qty Per
43	V70036	O-RING, ROTOR SEAL FACE (VITON) - ZP3 45/60/64/130/134	2
	<i>N70036</i>	<i>O-RING, ROTOR SEAL FACE (BUNA) - ZP3 45/60/64/130/134</i>	2
	<i>E70036</i>	<i>O-RING, ROTOR SEAL FACE (EPDM) - ZP3 45/60/64/130/134</i>	2
44	P3RTB045010C00	ROTOR TWIN BLADE - ZP3 45 (STD-CIP) - ALLOY 88	2
	<i>P3RTB045010C0H</i>	<i>ROTOR TWIN BLADE - ZP3 45 (STD-CIP) - ALLOY 88 - HOT CLEARANCE</i>	2
	<i>P3RTB045010CHC</i>	<i>ROTOR TWIN BLADE - ZP3 45 (STD-CIP) - ALLOY 88 - HOT CHOCOLATE</i>	2
	<i>P3RTB0450102C0</i>	<i>ROTOR TWIN BLADE - ZP3 45 (STD-CIP) - 316L</i>	2
45	V70227	O-RING, ROTOR NUT (VITON) - ZP3 45/60/64/130/134	2
	<i>N70227</i>	<i>O-RING, ROTOR NUT (BUNA) - ZP3 45/60/64/130/134</i>	2
	<i>E70227</i>	<i>O-RING, ROTOR NUT (EPDM) - ZP3 45/60/64/130/134</i>	2
46	V70119	O-RING, RETAINER (VITON) - ZP3 45/60/64/130/134	2
	<i>N70119</i>	<i>O-RING, RETAINER (BUNA) - ZP3 45/60/64/130/134</i>	2
	<i>E70119</i>	<i>O-RING, RETAINER (EPDM) - ZP3 45/60/64/130/134</i>	2
47	P2GX101693	BELLEVILLE WASHER, SS - ZP3 45/60/64/130/134	2
48	P2SX101806	ROTOR NUT - ZP3 45/60/64/130/134	2
49	V70373	O-RING, COVER (VITON) - ZP3 45/60/64/130/134	1
	<i>N70373</i>	<i>O-RING, COVER (BUNA) - ZP3 45/60/64/130/134</i>	1
	<i>E70373</i>	<i>O-RING, COVER (EPDM) - ZP3 45/60/64/130/134</i>	1
	<i>SE70373</i>	<i>O-RING, COVER (FEP ENCAPSULATED SILICONE) - ZP3 45/60/64/130/134</i>	1
56	P3GS060014009	ROTOR SEAL FACE (C) - ZP3 45/60/64/130/134	2
	<i>P3GS060014000</i>	<i>ROTOR SEAL FACE (TC) - ZP3 45/60/64/130/134</i>	2
57	P3GS060306000	BODY SEAL FACE (TC) - ZP3 45/60/64/130/134	2
58	V70141	O-RING, BODY SEAL FACE (VITON) - ZP3 45/60/64/130/134	2
	<i>N70141</i>	<i>O-RING, BODY SEAL FACE (BUNA) - ZP3 45/60/64/130/134</i>	2
	<i>E70141</i>	<i>O-RING, BODY SEAL FACE (EPDM) - ZP3 45/60/64/130/134</i>	2
59	P3GS060304000	SEAL WAVE SPRING - ZP3 45/60/64/130/134	2
60	P3SX070098000	SEAL SLEEVE, NEW DESIGN - ZP3 45/60/130	2



Double Mechanical Seal

Optional Items Shown in ITALICS

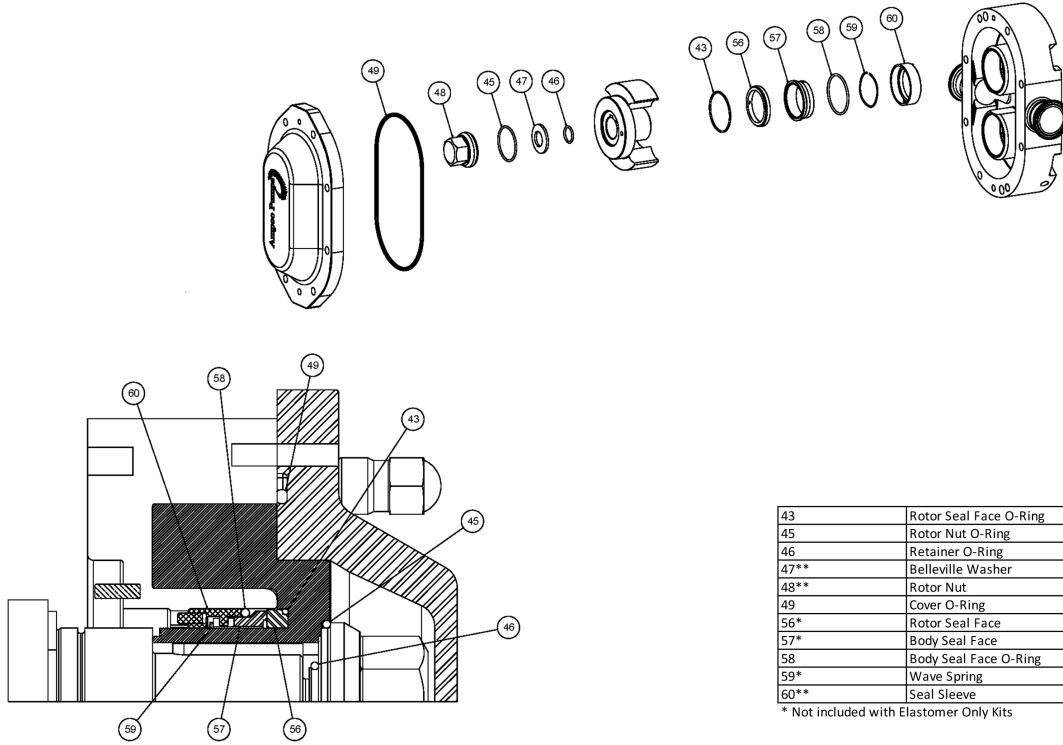
Ref #	Component Item No.	Description	Qty Per
61	V70133	O-RING, SHAFT (VITON) - ZP3 45/60/64/130/134	2
	<i>N70133</i>	<i>O-RING, SHAFT (BUNA) - ZP3 45/60/64/130/134</i>	2
	<i>E70133</i>	<i>O-RING, SHAFT (EPDM) - ZP3 45/60/64/130/134</i>	2
62	P2GS101673	SEAL SEAT (K) - ZP3 45/60/64/130/134	2
	<i>P2GS101674</i>	<i>SEAL SEAT (C) - ZP3 45/60/64/130/134</i>	2
63	P2GS101681	OUTER SEAL (N) - ZP3 45/60/64/130/134	2
64	V70043	O-RING, OUTER SEAL (VITON) - ZP3 45/60/64/130/134	2
	<i>N70043</i>	<i>O-RING, OUTER SEAL (BUNA) - ZP3 45/60/64/130/134</i>	2
	<i>E70043</i>	<i>O-RING, OUTER SEAL (EPDM) - ZP3 45/60/64/130/134</i>	2
65	P2GS101688	OUTER SEAL WAVE SPRING - ZP3 45/60/64/130/134	2
66	V70224	O-RING, ROTOR HUB (VITON) - ZP3 45/60/64/130/134	2
	<i>N70224</i>	<i>O-RING, ROTOR HUB (BUNA) - ZP3 45/60/64/130/134</i>	2
	<i>E70224</i>	<i>O-RING, ROTOR HUB (EPDM) - ZP3 45/60/64/130/134</i>	2



Pressure Relief Cover

Optional Items Shown in ITALICS

Ref #	Component Item No.	Description	Qty Per
67	P3CVR103671	VENTED FRONT COVER, ZP3 - 45/60/64/130/134	1
68	P1GXCD0078V00	RUBBER DIAPHRAGM, VITON, ZP3 - 45/60/64/130/134	1
	<i>P1GXCD0078000</i>	<i>RUBBER DIAPHRAGM, BUNA, ZP3 - 45/60/64/130/134</i>	1
	<i>P1GXCD0078E00</i>	<i>RUBBER DIAPHRAGM, EPDM, ZP3 - 45/60/64/130/134</i>	1
69	P1SXCD0077000	DIAPHRAGM BUSHING, ZP3 - 45/60/64/130/134	1
70	P1SX113397	SPRING PLUNGER, ZP3 - 45/60/64/130/134	1
71	P1SX113523	SPRING, MEDIUM, (LESS THAN 150 PSI), ZP3 - 45/60/64/130/134	1
	<i>P1SX113400</i>	<i>SPRING, HIGH, (MORE THAN 150 PSI), ZP3 - 45/60/64/130/134</i>	1
72	P1SX113398	COVER NUT, ZP3 - 45/60/64/130/134	1
73	P1SXGD0074000	LOCKNUT, ZP3 - 45/60/64/130/134/180/184/220/224	1
74	P1SX113657	ADJUSTING SCREW, ZP3 - 45/60/64/130/134/180/184/220/224	1



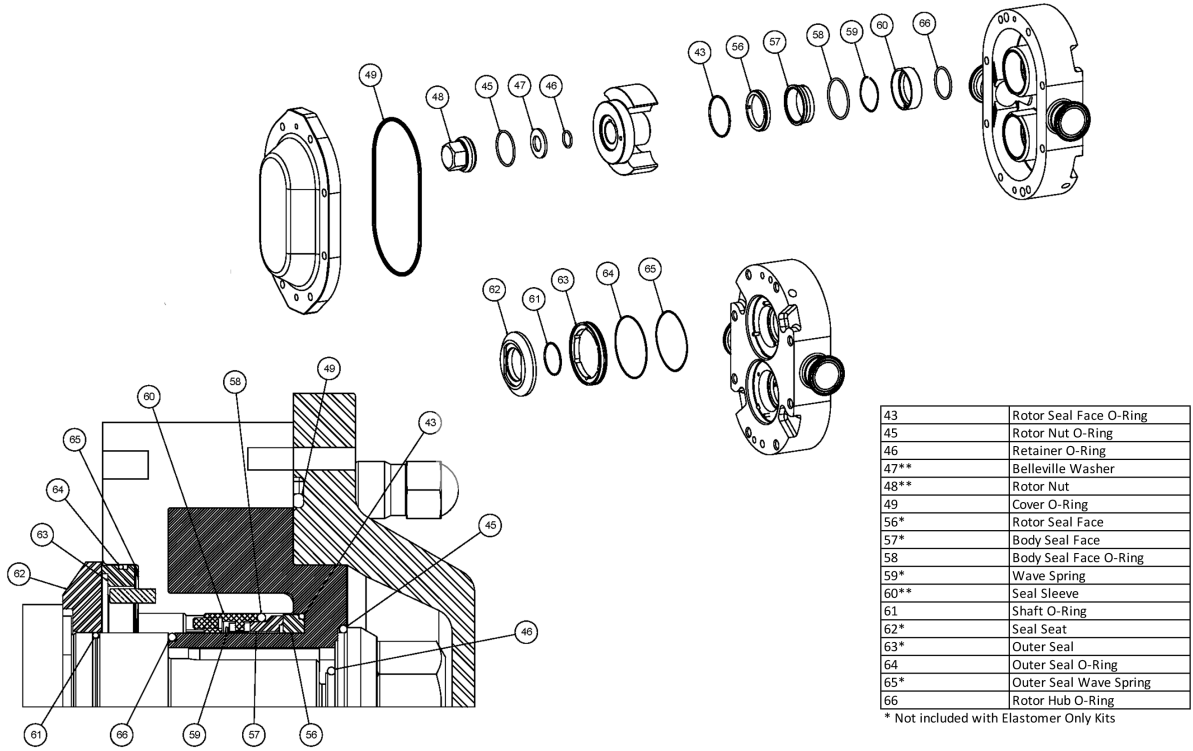
43	Rotor Seal Face O-Ring
45	Rotor Nut O-Ring
46	Retainer O-Ring
47**	Belleville Washer
48**	Rotor Nut
49	Cover O-Ring
56*	Rotor Seal Face
57*	Body Seal Face
58	Body Seal Face O-Ring
59*	Wave Spring
60**	Seal Sleeve

* Not included with Elastomer Only Kits

Single Mechanical Seal Kit

Optional Items Shown in ITALICS

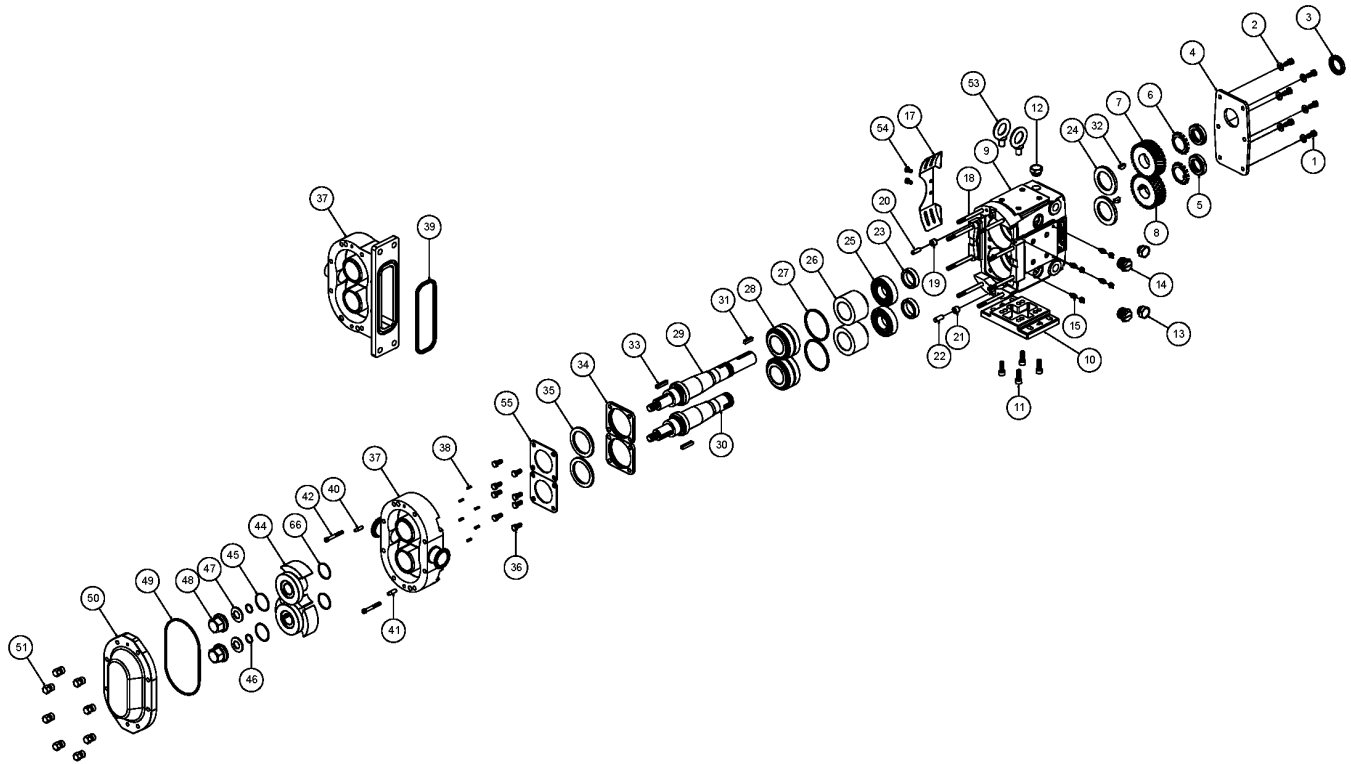
Ref #	Component Item No.	Description	Qty Per
1	P3GX060000-V	SEAL KIT, SGL MECH, ELASTOMERS ONLY, VITON - ZP3 45/60/64/130/134	1
	<i>P3GX060000-N</i>	<i>SEAL KIT, SGL MECH, ELASTOMERS ONLY, BUNA - ZP3 45/60/64/130/134</i>	<i>1</i>
	<i>P3GX060000-E</i>	<i>SEAL KIT, SGL MECH, ELASTOMERS ONLY, EPDM - ZP3 45/60/64/130/134</i>	<i>1</i>
3	P3GS060000-V	SEAL KIT, SGL MECH, TC/SC, VITON - ZP3 45/60/64/130/134	1
	<i>P3GS060000-N</i>	<i>SEAL KIT, SGL MECH, TC/SC, BUNA - ZP3 45/60/64/130/134</i>	<i>1</i>
	<i>P3GS060000-E</i>	<i>SEAL KIT, SGL MECH, TC/SC, EPDM - ZP3 45/60/64/130/134</i>	<i>1</i>
47	P2GX101693	BELLEVILLE WASHER, SS - ZP3 45/60/64/130/134	2
48	P2SX101806	ROTOR NUT - ZP3 45/60/64/130/134	2
60	P3SX070098000	SEAL SLEEVE, NEW DESIGN - ZP3 45/60/130	2



Double Mechanical Seal Kit

Optional Items Shown in ITALICS

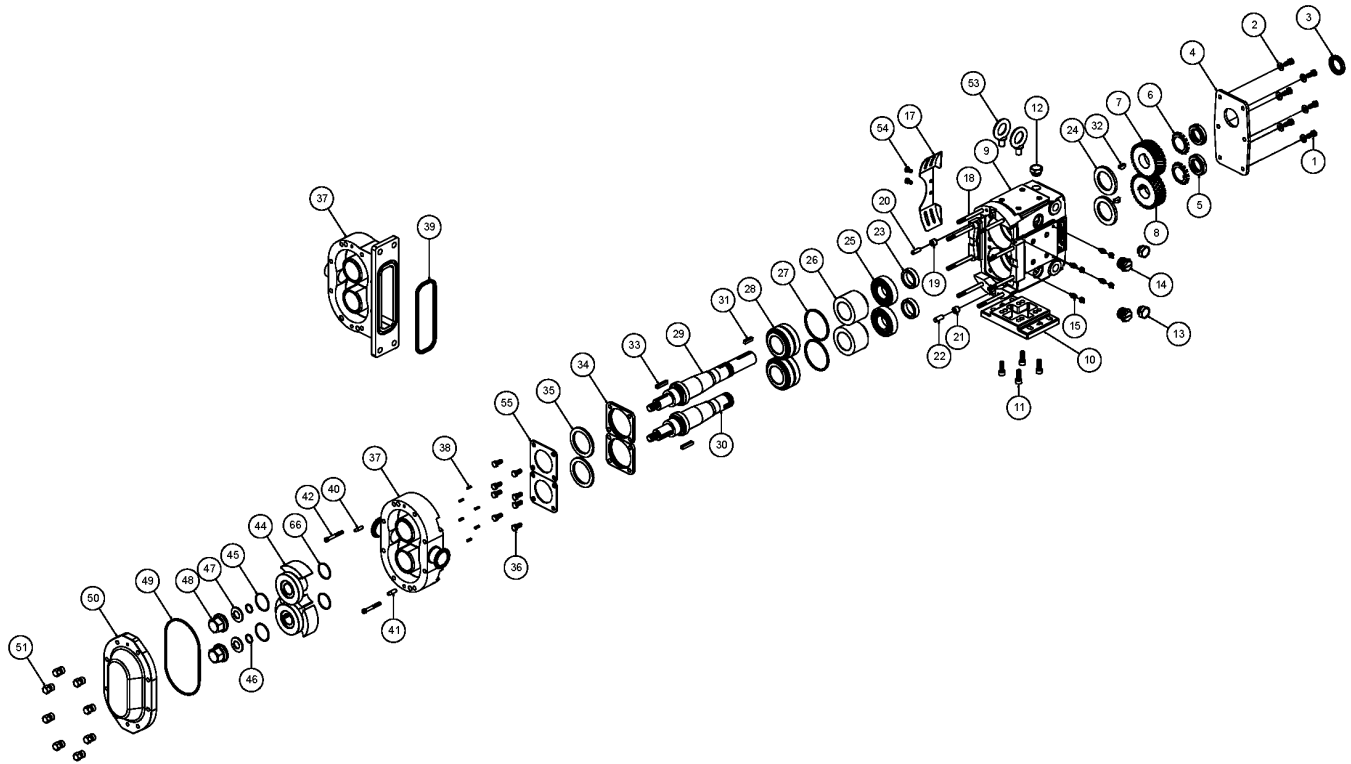
Ref #	Component Item No.	Description	Qty Per
1	P3GX060000-V	SEAL KIT, DBL MECH, ELASTOMERS ONLY, VITON - ZP3 45/60/64/130/134	1
	<i>P3GX060000-N</i>	<i>SEAL KIT, DBL MECH, ELASTOMERS ONLY, BUNA - ZP3 45/60/64/130/134</i>	<i>1</i>
	<i>P3GX060000-E</i>	<i>SEAL KIT, DBL MECH, ELASTOMERS ONLY, EPDM - ZP3 45/60/64/130/134</i>	<i>1</i>
3	P3GS060000-V	SEAL KIT, DBL MECH, TC/SC - CE/CA, VITON - ZP3 45/60/64/130/134	1
	<i>P3GS060000-N</i>	<i>SEAL KIT, DBL MECH, TC/SC - CE/CA, BUNA - ZP3 45/60/64/130/134</i>	<i>1</i>
	<i>P3GS060000-E</i>	<i>SEAL KIT, DBL MECH, TC/SC - CE/CA, EPDM - ZP3 45/60/64/130/134</i>	<i>1</i>
5	P3GS060000-V	SEAL KIT, DBL MECH, TC/SC - SC/CA, VITON - ZP3 45/60/64/130/134	1
	<i>P3GS060000-N</i>	<i>SEAL KIT, DBL MECH, TC/SC - SC/CA, BUNA - ZP3 45/60/64/130/134</i>	<i>1</i>
	<i>P3GS060000-E</i>	<i>SEAL KIT, DBL MECH, TC/SC - SC/CA, EPDM - ZP3 45/60/64/130/134</i>	<i>1</i>
47	P2GX101693	BELLEVILLE WASHER, SS - ZP3 45/60/64/130/134	2
48	P2SX101806	ROTOR NUT - ZP3 45/60/64/130/134	2
60	P3SX070098000	SEAL SLEEVE, NEW DESIGN - ZP3 45/60/130	2



Exploded View

Optional Items Shown in ITALICS

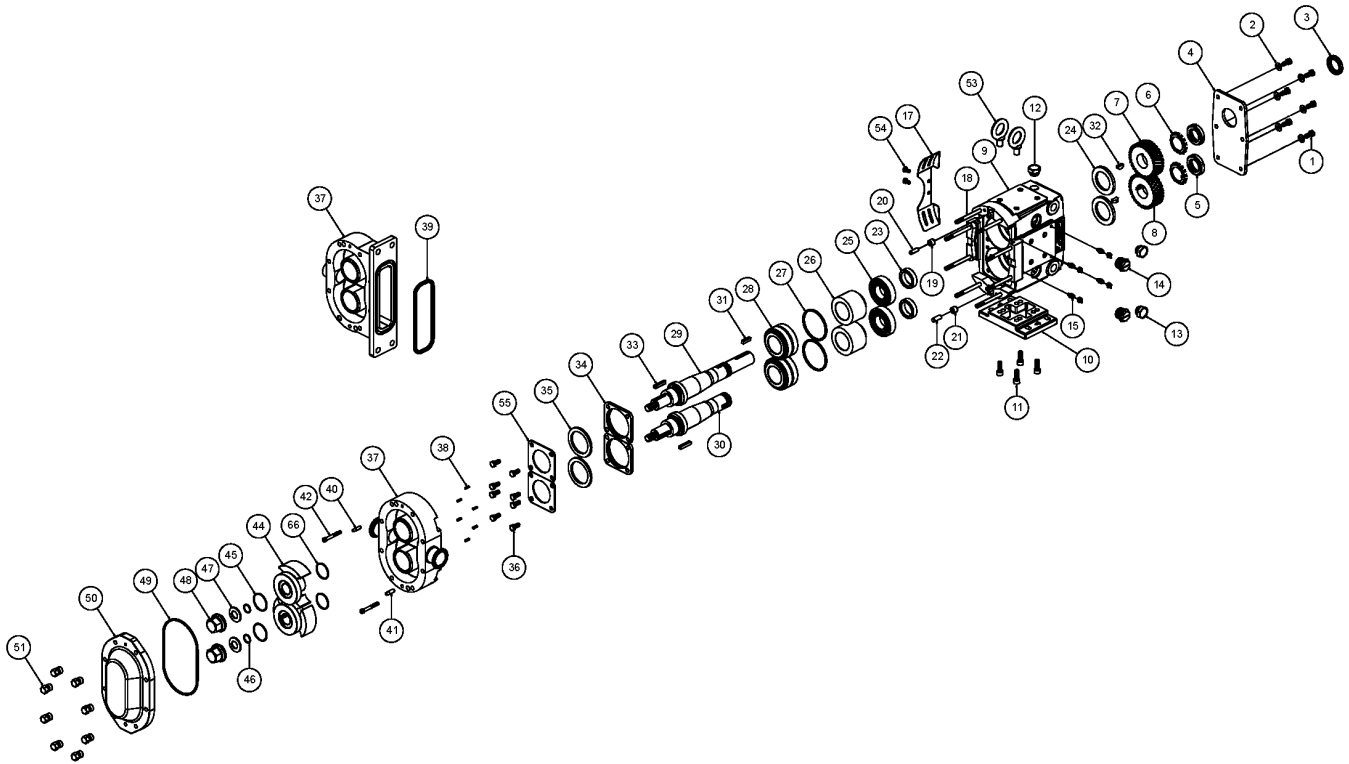
Ref #	Component Item No.	Description	Qty Per
1	P1GX30-50	GEAR CASE COVER BOLT - 3/8-16 X 3/4 HHCS (18-8 SS)	6
2	P1GX43-189	GEAR CASE COVER WASHER - 3/8 FLAT WASHER (18-8 SS)	6
3	P1GX000030012	OIL SEAL, GEAR CASE COVER - ZP3 45/60/64/130/134	1
4	P1SX070106000	GEAR CASE COVER, SS - ZP3 45/60/64/130/134	1
5	P1GXSTD236009	GEAR LOCKNUT - ZP3 45/60/64/130/134	2
6	P1GXSTD136009	GEAR LOCKWASHER - ZP3 45/60/64/130/134	2
7	P1GX060007001	GEAR DRIVE SHAFT - ZP3 45/60/64/130/134	1
8	P1GX060007002	GEAR SHORT SHAFT - ZP3 45/60/64/130/134	1
9	P1SX070005000	GEAR CASE, SS - ZP3 45/60/64/130/134	1
10	P1SX070110000	GEAR CASE BASE, SS - ZP3 45/60/64/130/134	1
11	P1GX60SHCSGCB	SHCS, G. CASE BASE, (18-8 SS) 1/2-13 X 1.5" - ZP3 45/60/64/130/134	4
12	P1GX115798	PLUG,HEX,20M X1.5,W/NBR SEAL	5
13	P1GX115799	GAUGE,OIL,LVL,INDIC,M-20X1.5	1
14	P1GX70PLUG-SS	CLEAN OUT PLUG, SS - ZP3 45/60/64/130/134	4
15	P1GXBD0092001	GREASE FITTING, THREADED 1/4"-28 TAPER, SS	8
17	P1SX070CEGUARD	GUARD,45-134,(CE),GC,SS	2
18	P1GX108843	STUD, ZP3 60	8
	<i>P1GX108846</i>	<i>STUD, JACKETED COVER - ZP3 60</i>	8
19	P1GXCD0116000	UPPER DOWEL BUSHING - ZP3 45/60/64/130/134	1
20	P1GX124584	DOWEL PIN - ZP3 45/60/64/130/134	1
21	P1GXCD0116100	LOWER DOWEL BUSHING - ZP3 45/60/64/130/134	1
22	P1GX124586	DOWEL PIN - ZP3 45/60/64/130/134	1
23	P1GX107187	GEAR TO REAR BEARING SPACER - ZP3 45/60/64/130/134	2
24	P1GX000030011	OIL SEAL REAR - ZP3 45/60/64/130/134	2
25	P1GX107186	REAR BEARING - ZP3 45/60/64/130/134	2
26	P1GX060055003	BEARING SPACER - ZP3 45/60/64/130/134	2
27	P1GX117891	SHIM KIT - ZP3 45/60/64/130/134	2



Exploded View

Optional Items Shown in ITALICS

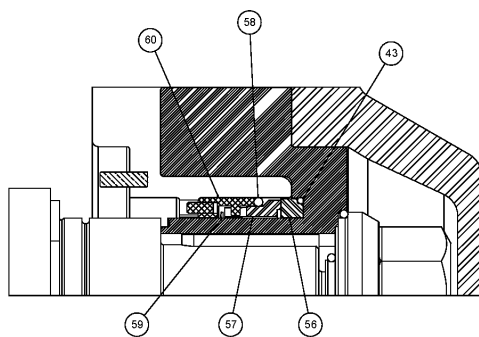
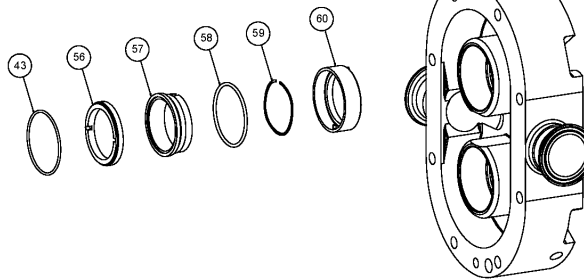
Ref #	Component Item No.	Description	Qty Per
28	P1GX060036000	FRONT BEARING - ZP3 45/60/64/130/134	2
29	P2SX108411	DRIVE SHAFT (17-4PH) - ZP3 60/64	1
30	P2SX108412	SHORT SHAFT (17-4PH) - ZP3 60/64	1
31	P1GX000037003	DRIVE KEY, 3/8" SQ. X 1-5/8" - ZP3 45/60/64/130/134	1
32	P1GX060037000	GEAR KEY - ZP3 45/60/64/130/134	2
33	P2SX101823	ROTOR KEY - ZP3 60/64	1
34	P1SX121828	BEARING RETAINER, NEW STYLE 3A - ZP3 45/60/64/130/134	2
35	P2GX101829	BEARING RETAINER GREASE SEAL - ZP3 45/60/64/130/134	2
36	GX5077200	BEARING RETAINER BOLT - 3/8-16 X 1-1/4 HHCS (18-8 SS)	8
37	P3BDY060001002	BODY - ZP3 60	1
	<i>P3BDY060001F02</i>	<i>BODY - ZP3 60 - FLUSHED</i>	1
38	P2GX101720	STOP PIN,SEAL - ZP3 45/60/64/130/134	6
40	P1GX124582	DOWEL PIN - ZP3 45/60/64/130/134	1
41	P1GX124583	DOWEL PIN - ZP3 45/60/64/130/134	1
42	P1GX30-319	CAPSCRW,SH,5/16-18X3,18-8SS SCKT HD	2
44	P3RTB060010C00	ROTOR TWIN BLADE - ZP3 60/64 (STD-CIP) - ALLOY 88	2
	<i>P3RTB060010C0H</i>	<i>ROTOR TWIN BLADE - ZP3 60/64 (STD-CIP) - ALLOY 88 - HOT CLEARANCE</i>	2
	<i>P3RTB0600102C0</i>	<i>ROTOR TWIN BLADE - ZP3 60/64 (STD-CIP) - 316L</i>	2
45	V70227	O-RING, ROTOR NUT (VITON) - ZP3 45/60/64/130/134	2
	<i>N70227</i>	<i>O-RING, ROTOR NUT (BUNA) - ZP3 45/60/64/130/134</i>	2
	<i>E70227</i>	<i>O-RING, ROTOR NUT (EPDM) - ZP3 45/60/64/130/134</i>	2
46	V70119	O-RING, RETAINER (VITON) - ZP3 45/60/64/130/134	2
	<i>N70119</i>	<i>O-RING, RETAINER (BUNA) - ZP3 45/60/64/130/134</i>	2
	<i>E70119</i>	<i>O-RING, RETAINER (EPDM) - ZP3 45/60/64/130/134</i>	2
47	P2GX101693	BELLEVILLE WASHER, SS - ZP3 45/60/64/130/134	2
48	P2SX101806	ROTOR NUT - ZP3 45/60/64/130/134	2
49	V70373	O-RING, COVER (VITON) - ZP3 45/60/64/130/134	1



Exploded View

Optional Items Shown in ITALICS

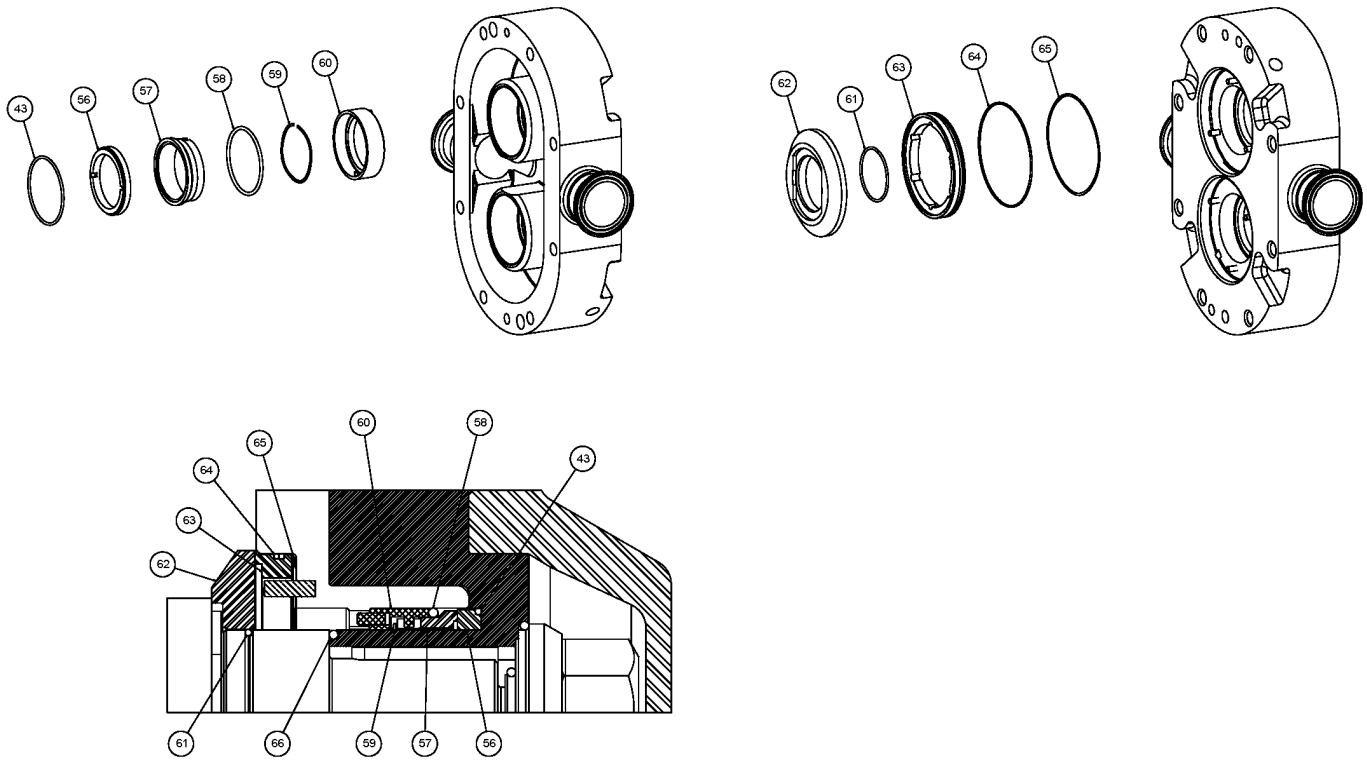
Ref #	Component Item No.	Description	Qty Per
49	<i>N70373</i>	<i>O-RING, COVER (BUNA) - ZP3 45/60/64/130/134</i>	1
	<i>E70373</i>	<i>O-RING, COVER (EPDM) - ZP3 45/60/64/130/134</i>	1
	<i>SE70373</i>	<i>O-RING, COVER (FEP ENCAPSULATED SILICONE) - ZP3 45/60/64/130/134</i>	1
50	P3CVR101848	COVER - ZP3 45/60/64/130/134	1
	<i>P3CVR107668</i>	<i>COVER, JACKETED - ZP3 45/60/64/130/134</i>	1
51	P1SX108371	COVER HEX NUT - ZP3 45/60/64/130/134	8
	<i>P1GX105852</i>	<i>WING NUT - ZP1 45/60/64/130/134</i>	8
53	P1GXEYEBOLT-SS	EYE BOLT,60-224,SS	2
54	P1GX000CENAIL	DRIVENAIL,ZP,GEAR CASE GUARDS	4
55	P2SX070SPLATE	BEARING RETAINER SPLASH PLATE - ZP3 45/60/64/130/134	2
60	P3SX070098000	SEAL SLEEVE, NEW DESIGN - ZP3 45/60/130	2
66	V70224	O-RING, ROTOR HUB (VITON) - ZP3 45/60/64/130/134	2
	<i>N70224</i>	<i>O-RING, ROTOR HUB (BUNA) - ZP3 45/60/64/130/134</i>	2
	<i>E70224</i>	<i>O-RING, ROTOR HUB (EPDM) - ZP3 45/60/64/130/134</i>	2



Single Mechanical Seal

Optional Items Shown in ITALICS

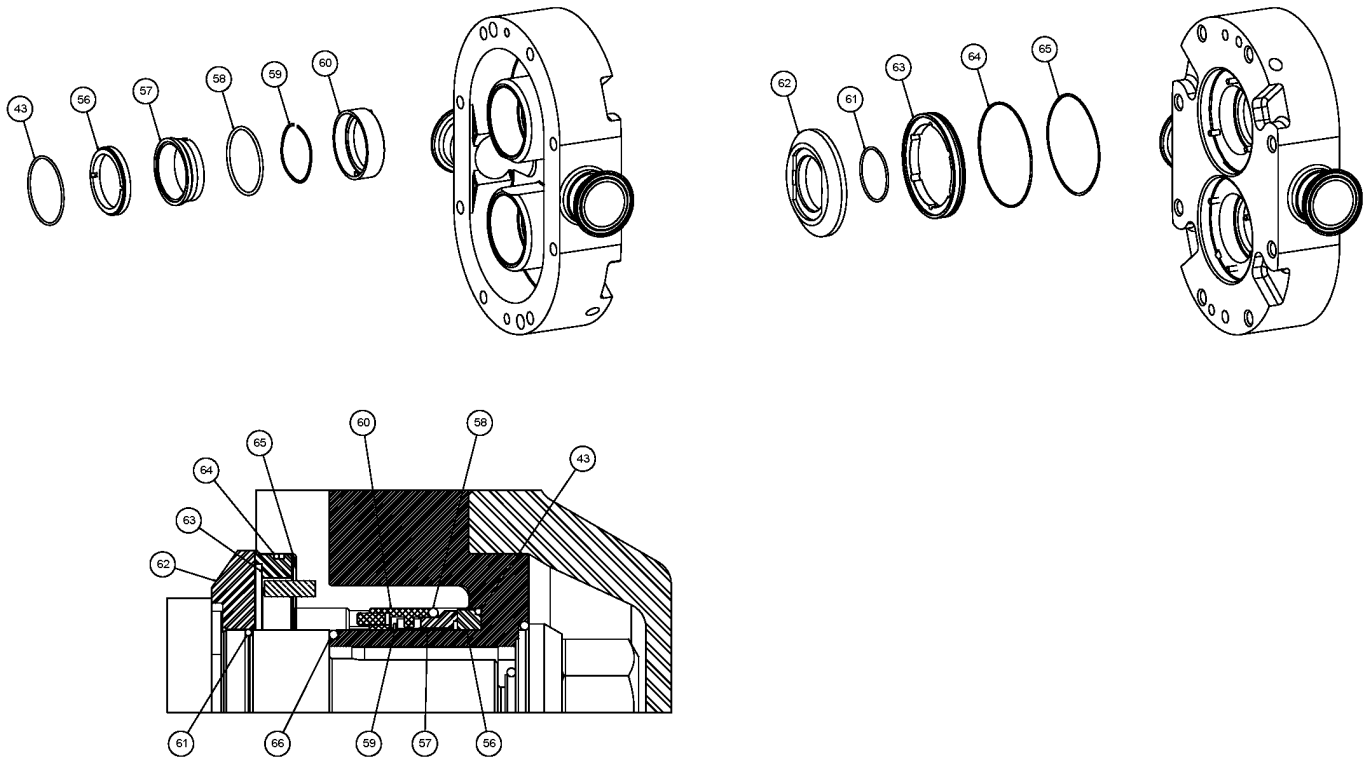
Ref #	Component Item No.	Description	Qty Per
43	V70036	O-RING, ROTOR SEAL FACE (VITON) - ZP3 45/60/64/130/134	2
	<i>N70036</i>	<i>O-RING, ROTOR SEAL FACE (BUNA) - ZP3 45/60/64/130/134</i>	2
	<i>E70036</i>	<i>O-RING, ROTOR SEAL FACE (EPDM) - ZP3 45/60/64/130/134</i>	2
56	P3GS060014009	ROTOR SEAL FACE (C) - ZP3 45/60/64/130/134	2
	<i>P3GS060014000</i>	<i>ROTOR SEAL FACE (TC) - ZP3 45/60/64/130/134</i>	2
57	P3GS060306000	BODY SEAL FACE (TC) - ZP3 45/60/64/130/134	2
58	V70141	O-RING, BODY SEAL FACE (VITON) - ZP3 45/60/64/130/134	2
	<i>N70141</i>	<i>O-RING, BODY SEAL FACE (BUNA) - ZP3 45/60/64/130/134</i>	2
	<i>E70141</i>	<i>O-RING, BODY SEAL FACE (EPDM) - ZP3 45/60/64/130/134</i>	2
59	P3GS060304000	SEAL WAVE SPRING - ZP3 45/60/64/130/134	2
60	P3SX070098000	SEAL SLEEVE, NEW DESIGN - ZP3 45/60/130	2



Double Mechanical Seal

Optional Items Shown in ITALICS

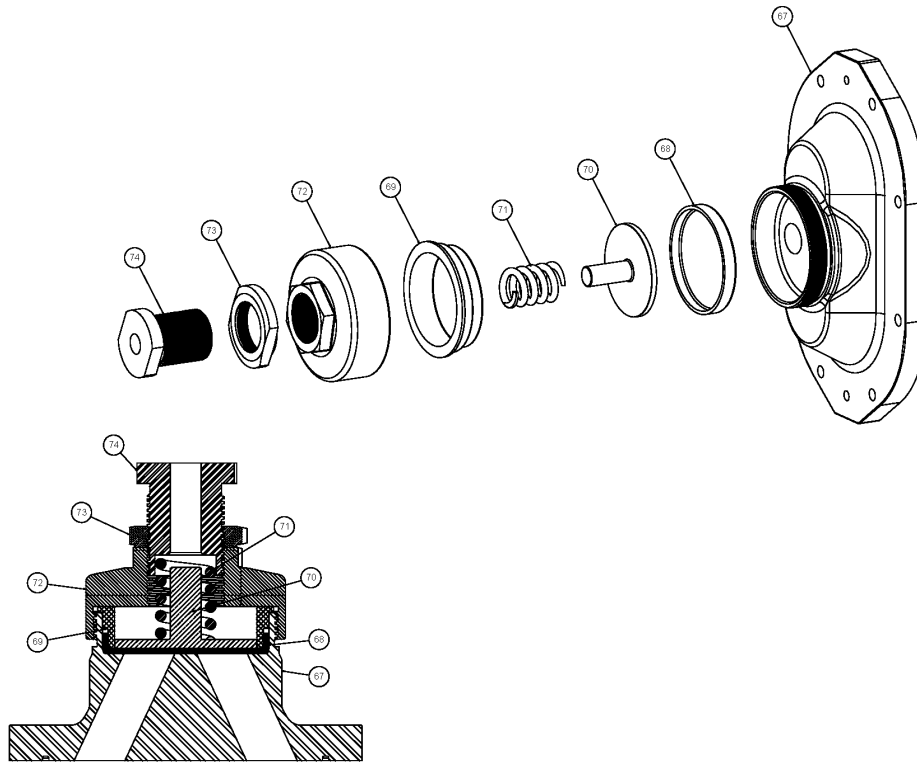
Ref #	Component Item No.	Description	Qty Per
43	V70036	O-RING, ROTOR SEAL FACE (VITON) - ZP3 45/60/64/130/134	2
	<i>N70036</i>	<i>O-RING, ROTOR SEAL FACE (BUNA) - ZP3 45/60/64/130/134</i>	2
	<i>E70036</i>	<i>O-RING, ROTOR SEAL FACE (EPDM) - ZP3 45/60/64/130/134</i>	2
44	P3RTB060010C00	ROTOR TWIN BLADE - ZP3 60/64 (STD-CIP) - ALLOY 88	2
	<i>P3RTB060010C0H</i>	<i>ROTOR TWIN BLADE - ZP3 60/64 (STD-CIP) - ALLOY 88 - HOT CLEARANCE</i>	2
	<i>P3RTB0600102C0</i>	<i>ROTOR TWIN BLADE - ZP3 60/64 (STD-CIP) - 316L</i>	2
45	V70227	O-RING, ROTOR NUT (VITON) - ZP3 45/60/64/130/134	2
	<i>N70227</i>	<i>O-RING, ROTOR NUT (BUNA) - ZP3 45/60/64/130/134</i>	2
	<i>E70227</i>	<i>O-RING, ROTOR NUT (EPDM) - ZP3 45/60/64/130/134</i>	2
46	V70119	O-RING, RETAINER (VITON) - ZP3 45/60/64/130/134	2
	<i>N70119</i>	<i>O-RING, RETAINER (BUNA) - ZP3 45/60/64/130/134</i>	2
	<i>E70119</i>	<i>O-RING, RETAINER (EPDM) - ZP3 45/60/64/130/134</i>	2
47	P2GX101693	BELLEVILLE WASHER, SS - ZP3 45/60/64/130/134	2
48	P2SX101806	ROTOR NUT - ZP3 45/60/64/130/134	2
49	V70373	O-RING, COVER (VITON) - ZP3 45/60/64/130/134	1
	<i>N70373</i>	<i>O-RING, COVER (BUNA) - ZP3 45/60/64/130/134</i>	1
	<i>E70373</i>	<i>O-RING, COVER (EPDM) - ZP3 45/60/64/130/134</i>	1
	<i>SE70373</i>	<i>O-RING, COVER (FEP ENCAPSULATED SILICONE) - ZP3 45/60/64/130/134</i>	1
56	P3GS060014009	ROTOR SEAL FACE (C) - ZP3 45/60/64/130/134	2
	<i>P3GS060014000</i>	<i>ROTOR SEAL FACE (TC) - ZP3 45/60/64/130/134</i>	2
57	P3GS060306000	BODY SEAL FACE (TC) - ZP3 45/60/64/130/134	2
58	V70141	O-RING, BODY SEAL FACE (VITON) - ZP3 45/60/64/130/134	2
	<i>N70141</i>	<i>O-RING, BODY SEAL FACE (BUNA) - ZP3 45/60/64/130/134</i>	2
	<i>E70141</i>	<i>O-RING, BODY SEAL FACE (EPDM) - ZP3 45/60/64/130/134</i>	2
59	P3GS060304000	SEAL WAVE SPRING - ZP3 45/60/64/130/134	2
60	P3SX070098000	SEAL SLEEVE, NEW DESIGN - ZP3 45/60/130	2
61	V70133	O-RING, SHAFT (VITON) - ZP3 45/60/64/130/134	2



Double Mechanical Seal

Optional Items Shown in ITALICS

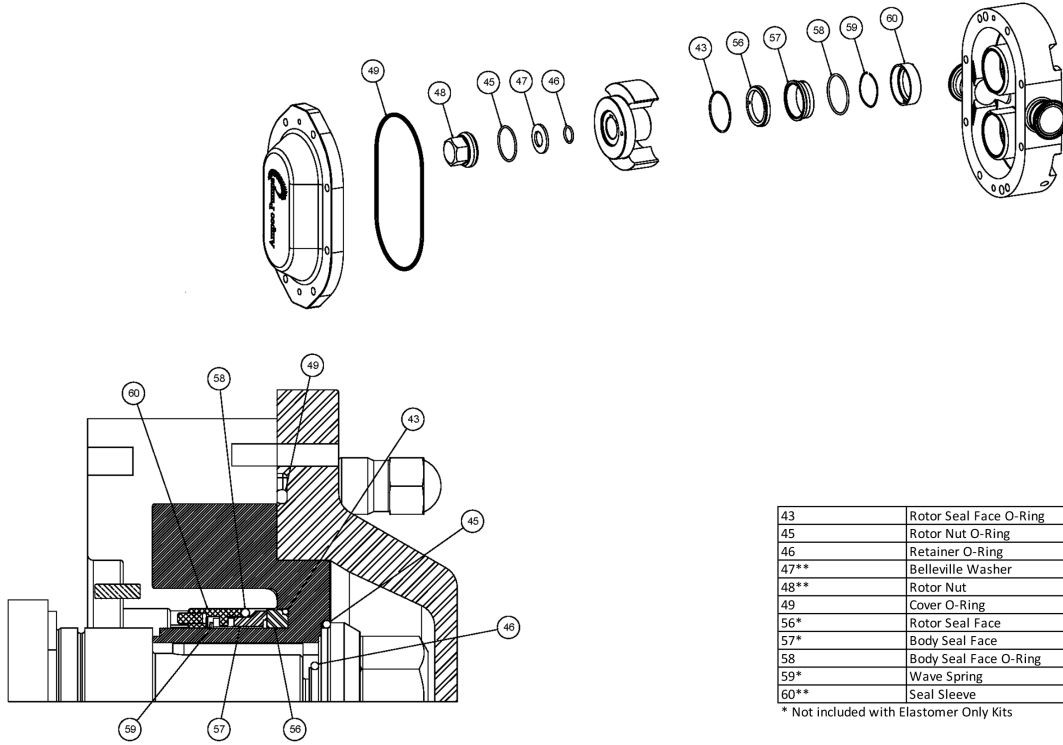
Ref #	Component Item No.	Description	Qty Per
61	<i>N70133</i>	<i>O-RING, SHAFT (BUNA) - ZP3 45/60/64/130/134</i>	2
	<i>E70133</i>	<i>O-RING, SHAFT (EPDM) - ZP3 45/60/64/130/134</i>	2
62	P2GS101673	SEAL SEAT (K) - ZP3 45/60/64/130/134	2
	<i>P2GS101674</i>	<i>SEAL SEAT (C) - ZP3 45/60/64/130/134</i>	2
63	P2GS101681	OUTER SEAL (N) - ZP3 45/60/64/130/134	2
64	V70043	O-RING, OUTER SEAL (VITON) - ZP3 45/60/64/130/134	2
	<i>N70043</i>	<i>O-RING, OUTER SEAL (BUNA) - ZP3 45/60/64/130/134</i>	2
	<i>E70043</i>	<i>O-RING, OUTER SEAL (EPDM) - ZP3 45/60/64/130/134</i>	2
65	P2GS101688	OUTER SEAL WAVE SPRING - ZP3 45/60/64/130/134	2
66	V70224	O-RING, ROTOR HUB (VITON) - ZP3 45/60/64/130/134	2
	<i>N70224</i>	<i>O-RING, ROTOR HUB (BUNA) - ZP3 45/60/64/130/134</i>	2
	<i>E70224</i>	<i>O-RING, ROTOR HUB (EPDM) - ZP3 45/60/64/130/134</i>	2



Pressure Relief Cover

Optional Items Shown in ITALICS

Ref #	Component Item No.	Description	Qty Per
67	P3CVR103671	VENTED FRONT COVER, ZP3 - 45/60/64/130/134	1
68	P1GXCD0078V00	RUBBER DIAPHRAGM, VITON, ZP3 - 45/60/64/130/134	1
	<i>P1GXCD0078000</i>	<i>RUBBER DIAPHRAGM, BUNA, ZP3 - 45/60/64/130/134</i>	1
	<i>P1GXCD0078E00</i>	<i>RUBBER DIAPHRAGM, EPDM, ZP3 - 45/60/64/130/134</i>	1
69	P1SXCD0077000	DIAPHRAGM BUSHING, ZP3 - 45/60/64/130/134	1
70	P1SX113397	SPRING PLUNGER, ZP3 - 45/60/64/130/134	1
71	P1SX113523	SPRING, MEDIUM, (LESS THAN 150 PSI), ZP3 - 45/60/64/130/134	1
	<i>P1SX113400</i>	<i>SPRING, HIGH, (MORE THAN 150 PSI), ZP3 - 45/60/64/130/134</i>	1
72	P1SX113398	COVER NUT, ZP3 - 45/60/64/130/134	1
73	P1SXGD0074000	LOCKNUT, ZP3 - 45/60/64/130/134/180/184/220/224	1
74	P1SX113657	ADJUSTING SCREW, ZP3 - 45/60/64/130/134/180/184/220/224	1



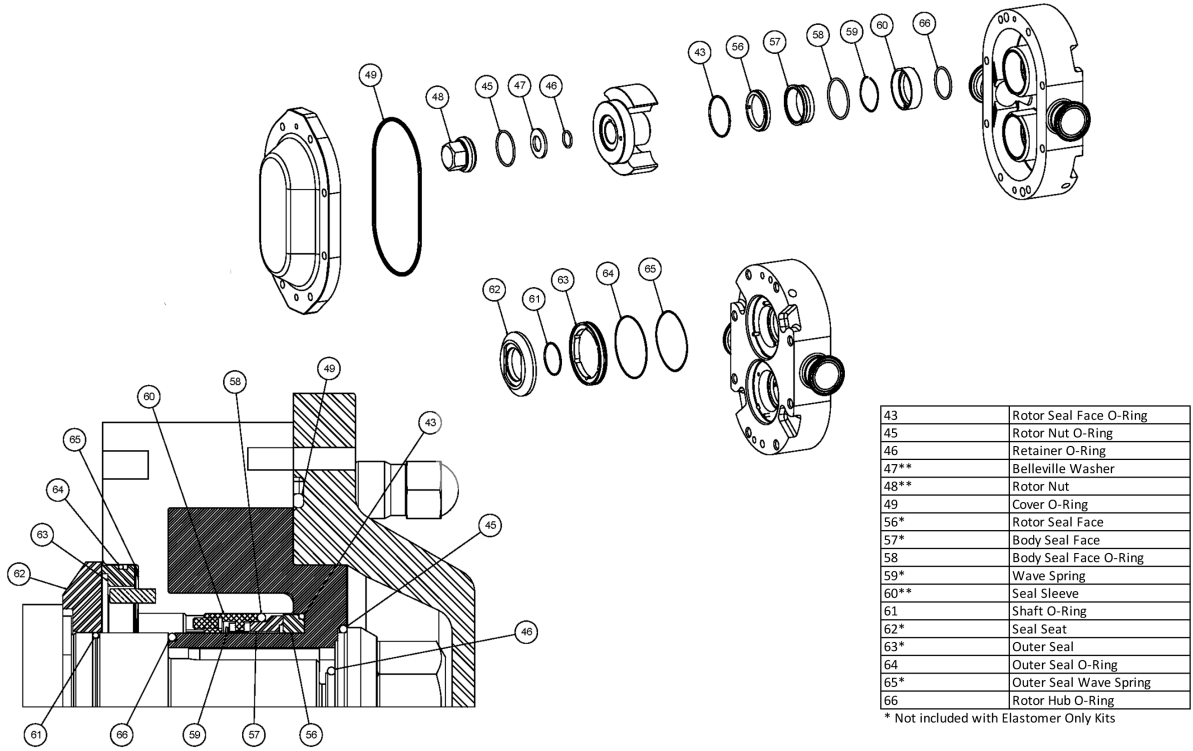
43	Rotor Seal Face O-Ring
45	Rotor Nut O-Ring
46	Retainer O-Ring
47**	Belleville Washer
48**	Rotor Nut
49	Cover O-Ring
56*	Rotor Seal Face
57*	Body Seal Face
58	Body Seal Face O-Ring
59*	Wave Spring
60**	Seal Sleeve

* Not included with Elastomer Only Kits

Single Mechanical Seal Kit

Optional Items Shown in ITALICS

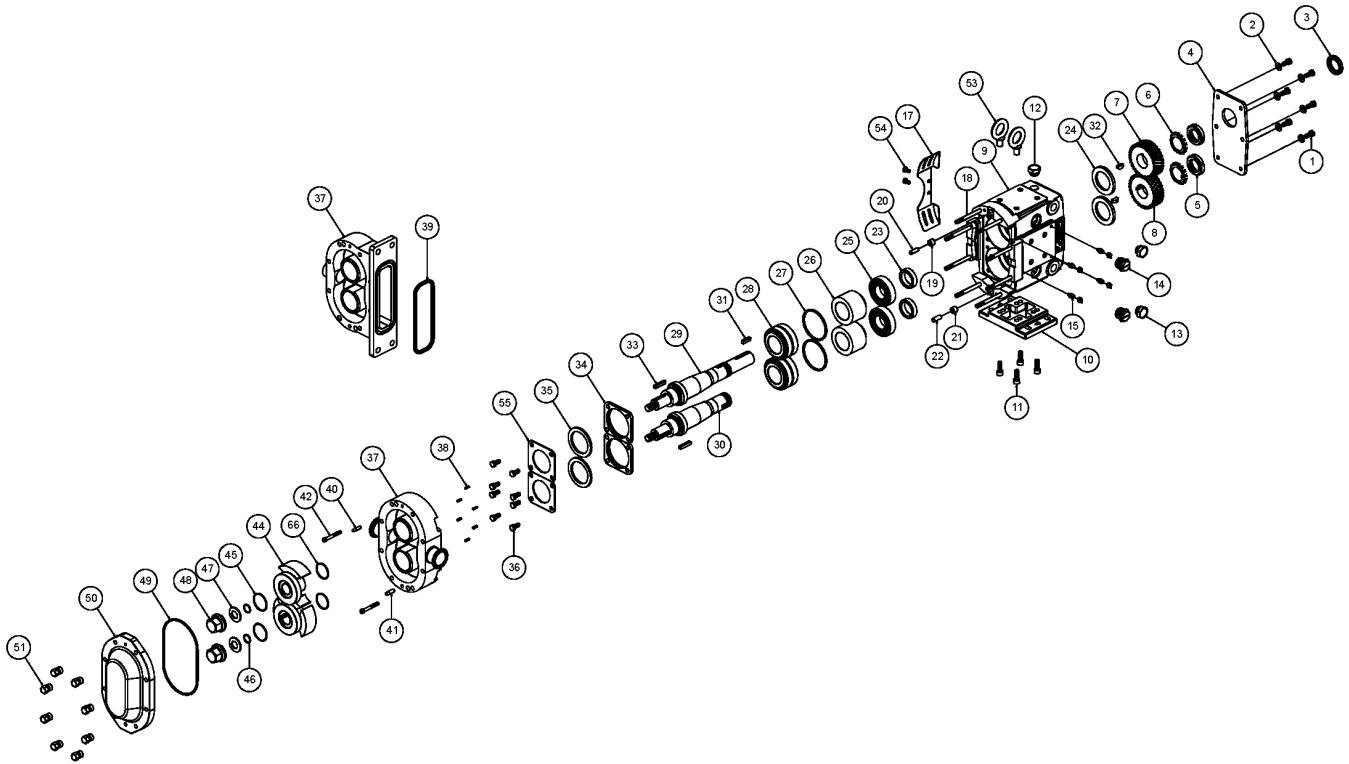
Ref #	Component Item No.	Description	Qty Per
1	P3GX060000-V	SEAL KIT, SGL MECH, ELASTOMERS ONLY, VITON - ZP3 45/60/64/130/134	1
	<i>P3GX060000-N</i>	<i>SEAL KIT, SGL MECH, ELASTOMERS ONLY, BUNA - ZP3 45/60/64/130/134</i>	<i>1</i>
	<i>P3GX060000-E</i>	<i>SEAL KIT, SGL MECH, ELASTOMERS ONLY, EPDM - ZP3 45/60/64/130/134</i>	<i>1</i>
3	P3GS060000-V	SEAL KIT, SGL MECH, TC/SC, VITON - ZP3 45/60/64/130/134	1
	<i>P3GS060000-N</i>	<i>SEAL KIT, SGL MECH, TC/SC, BUNA - ZP3 45/60/64/130/134</i>	<i>1</i>
	<i>P3GS060000-E</i>	<i>SEAL KIT, SGL MECH, TC/SC, EPDM - ZP3 45/60/64/130/134</i>	<i>1</i>
47	P2GX101693	BELLEVILLE WASHER, SS - ZP3 45/60/64/130/134	2
48	P2SX101806	ROTOR NUT - ZP3 45/60/64/130/134	2
60	P3SX070098000	SEAL SLEEVE, NEW DESIGN - ZP3 45/60/130	2



Double Mechanical Seal Kit

Optional Items Shown in ITALICS

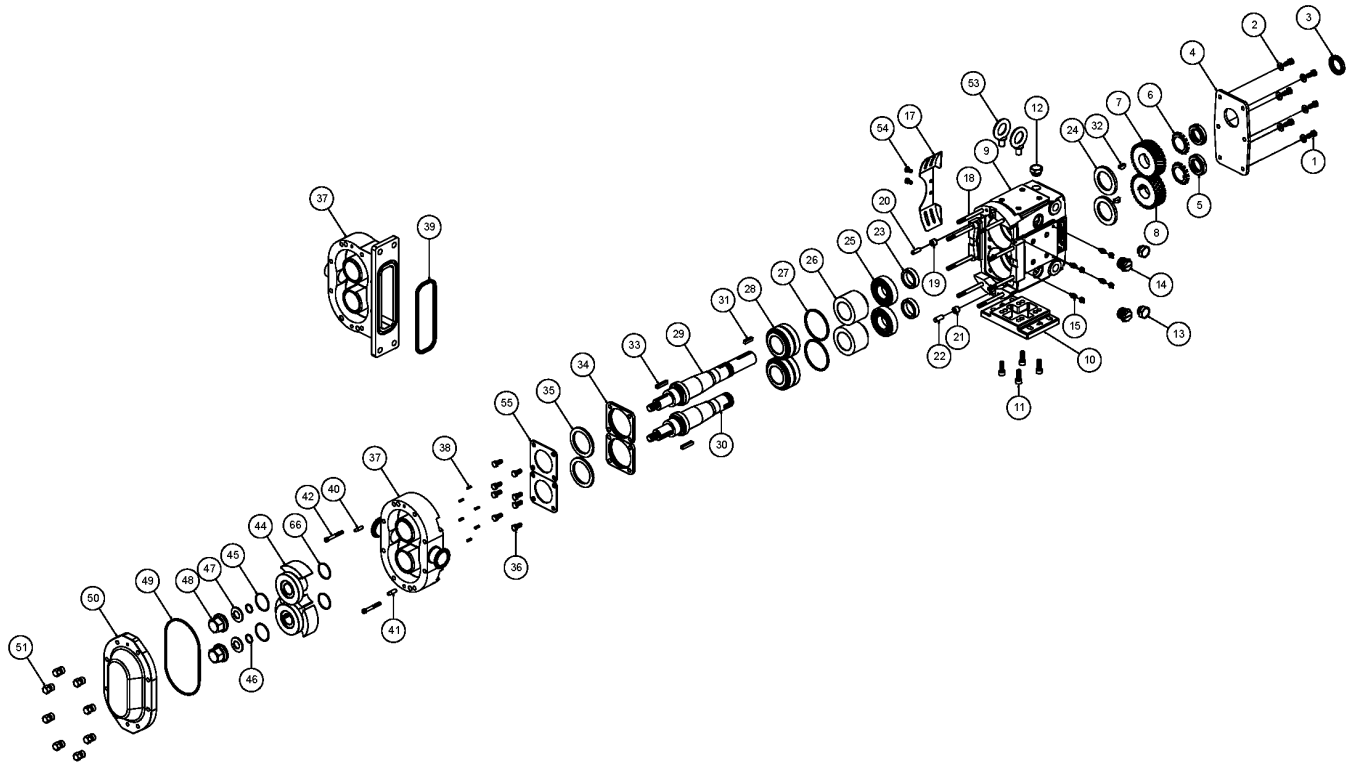
Ref #	Component Item No.	Description	Qty Per
1	P3GX060000-V	SEAL KIT, DBL MECH, ELASTOMERS ONLY, VITON - ZP3 45/60/64/130/134	1
	<i>P3GX060000-N</i>	<i>SEAL KIT, DBL MECH, ELASTOMERS ONLY, BUNA - ZP3 45/60/64/130/134</i>	<i>1</i>
	<i>P3GX060000-E</i>	<i>SEAL KIT, DBL MECH, ELASTOMERS ONLY, EPDM - ZP3 45/60/64/130/134</i>	<i>1</i>
3	P3GS060000-V	SEAL KIT, DBL MECH, TC/SC - CE/CA, VITON - ZP3 45/60/64/130/134	1
	<i>P3GS060000-N</i>	<i>SEAL KIT, DBL MECH, TC/SC - CE/CA, BUNA - ZP3 45/60/64/130/134</i>	<i>1</i>
	<i>P3GS060000-E</i>	<i>SEAL KIT, DBL MECH, TC/SC - CE/CA, EPDM - ZP3 45/60/64/130/134</i>	<i>1</i>
5	P3GS060000-V	SEAL KIT, DBL MECH, TC/SC - SC/CA, VITON - ZP3 45/60/64/130/134	1
	<i>P3GS060000-N</i>	<i>SEAL KIT, DBL MECH, TC/SC - SC/CA, BUNA - ZP3 45/60/64/130/134</i>	<i>1</i>
	<i>P3GS060000-E</i>	<i>SEAL KIT, DBL MECH, TC/SC - SC/CA, EPDM - ZP3 45/60/64/130/134</i>	<i>1</i>
47	P2GX101693	BELLEVILLE WASHER, SS - ZP3 45/60/64/130/134	2
48	P2SX101806	ROTOR NUT - ZP3 45/60/64/130/134	2
60	P3SX070098000	SEAL SLEEVE, NEW DESIGN - ZP3 45/60/130	2



Exploded View

Optional Items Shown in ITALICS

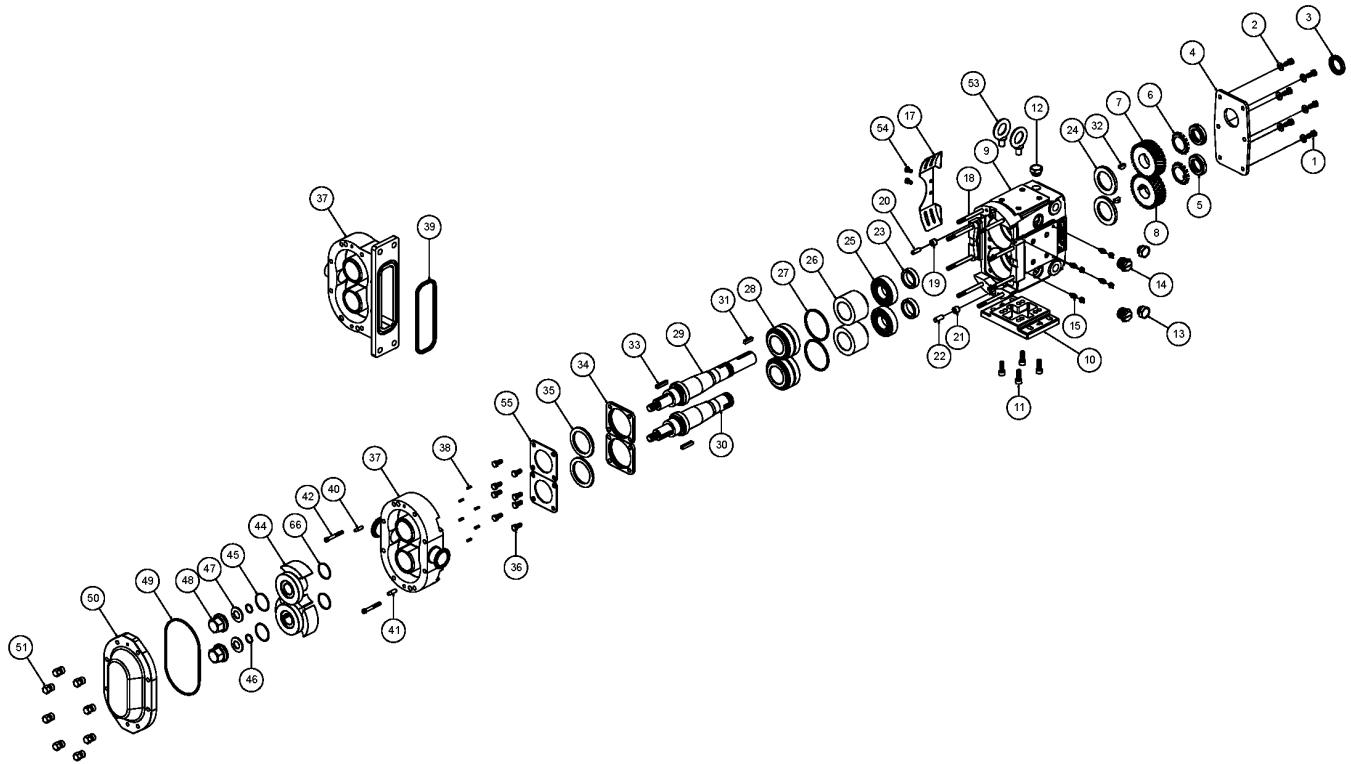
Ref #	Component Item No.	Description	Qty Per
1	P1GX30-50	GEAR CASE COVER BOLT - 3/8-16 X 3/4 HHCS (18-8 SS)	6
2	P1GX43-189	GEAR CASE COVER WASHER - 3/8 FLAT WASHER (18-8 SS)	6
3	P1GX000030012	OIL SEAL, GEAR CASE COVER - ZP3 45/60/64/130/134	1
4	P1SX070106000	GEAR CASE COVER, SS - ZP3 45/60/64/130/134	1
5	P1GXSTD236009	GEAR LOCKNUT - ZP3 45/60/64/130/134	2
6	P1GXSTD136009	GEAR LOCKWASHER - ZP3 45/60/64/130/134	2
7	P1GX060007001	GEAR DRIVE SHAFT - ZP3 45/60/64/130/134	1
8	P1GX060007002	GEAR SHORT SHAFT - ZP3 45/60/64/130/134	1
9	P1SX070005000	GEAR CASE, SS - ZP3 45/60/64/130/134	1
10	P1SX070110000	GEAR CASE BASE, SS - ZP3 45/60/64/130/134	1
11	P1GX60SHCSGCB	SHCS, G. CASE BASE, (18-8 SS) 1/2-13 X 1.5" - ZP3 45/60/64/130/134	4
12	P1GX115798	PLUG,HEX,20M X1.5,W/NBR SEAL	5
13	P1GX115799	GAUGE,OIL,LVL,INDIC,M-20X1.5	1
14	P1GX70PLUG-SS	CLEAN OUT PLUG, SS - ZP3 45/60/64/130/134	4
15	P1GXBD0092001	GREASE FITTING, THREADED 1/4"-28 TAPER, SS	8
17	P1SX070CEGUARD	GUARD,45-134,(CE),GC,SS	2
18	P1GX108843	STUD, ZP3 64	6
	P1GX0C1050000	STUD, SHORT, ZP3 64	2
	<i>P1GX35556</i>	<i>STUD, SHORT, JACKETED COVER, ZP3 64</i>	2
	<i>P1GX108846</i>	<i>STUD, JACKETED COVER, ZP3 64</i>	6
19	P1GXCD0116000	UPPER DOWEL BUSHING - ZP3 45/60/64/130/134	1
20	P1GX124584	DOWEL PIN - ZP3 45/60/64/130/134	1
21	P1GXCD0116100	LOWER DOWEL BUSHING - ZP3 45/60/64/130/134	1
22	P1GX124586	DOWEL PIN - ZP3 45/60/64/130/134	1
23	P1GX107187	GEAR TO REAR BEARING SPACER - ZP3 45/60/64/130/134	2
24	P1GX000030011	OIL SEAL REAR - ZP3 45/60/64/130/134	2
25	P1GX107186	REAR BEARING - ZP3 45/60/64/130/134	2



Exploded View

Optional Items Shown in ITALICS

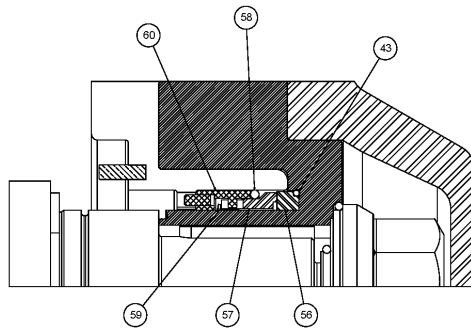
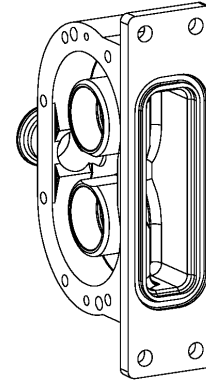
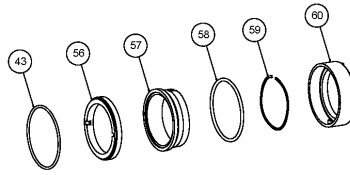
Ref #	Component Item No.	Description	Qty Per
26	P1GX060055003	BEARING SPACER - ZP3 45/60/64/130/134	2
27	P1GX117891	SHIM KIT - ZP3 45/60/64/130/134	2
28	P1GX060036000	FRONT BEARING - ZP3 45/60/64/130/134	2
29	P2SX108411	DRIVE SHAFT (17-4PH) - ZP3 60/64	1
30	P2SX108412	SHORT SHAFT (17-4PH) - ZP3 60/64	1
31	P1GX000037003	DRIVE KEY, 3/8" SQ. X 1-5/8" - ZP3 45/60/64/130/134	1
32	P1GX060037000	GEAR KEY - ZP3 45/60/64/130/134	2
33	P2SX101823	ROTOR KEY - ZP3 60/64	1
34	P1SX121828	BEARING RETAINER, NEW STYLE 3A - ZP3 45/60/64/130/134	2
35	P2GX101829	BEARING RETAINER GREASE SEAL - ZP3 45/60/64/130/134	2
36	GX5077200	BEARING RETAINER BOLT - 3/8-16 X 1-1/4 HHCS (18-8 SS)	8
38	P2GX101720	STOP PIN,SEAL - ZP3 45/60/64/130/134	6
39	V70366	O-RING, RECTANGULAR FLANGE (VITON) - ZP3 64	1
	<i>N70366</i>	<i>O-RING, RECTANGULAR FLANGE (BUNA) - ZP3 64</i>	1
	<i>E70366</i>	<i>O-RING, RECTANGULAR FLANGE (EPDM) - ZP3 64</i>	1
40	P1GX124582	DOWEL PIN - ZP3 45/60/64/130/134	1
41	P1GX124583	DOWEL PIN - ZP3 45/60/64/130/134	1
42	P1GX30-319	CAPSCRW,SH,5/16-18X3,18-8SS SCKT HD	2
44	P3RTB060010C00	ROTOR TWIN BLADE - ZP3 60/64 (STD-CIP) - ALLOY 88	2
	<i>P3RTB060010C0H</i>	<i>ROTOR TWIN BLADE - ZP3 60/64 (STD-CIP) - ALLOY 88 - HOT CLEARANCE</i>	2
	<i>P3RTB0600102C0</i>	<i>ROTOR TWIN BLADE - ZP3 60/64 (STD-CIP) - 316L</i>	2
45	V70227	O-RING, ROTOR NUT (VITON) - ZP3 45/60/64/130/134	2
	<i>N70227</i>	<i>O-RING, ROTOR NUT (BUNA) - ZP3 45/60/64/130/134</i>	2
	<i>E70227</i>	<i>O-RING, ROTOR NUT (EPDM) - ZP3 45/60/64/130/134</i>	2
46	V70119	O-RING, RETAINER (VITON) - ZP3 45/60/64/130/134	2
	<i>N70119</i>	<i>O-RING, RETAINER (BUNA) - ZP3 45/60/64/130/134</i>	2
	<i>E70119</i>	<i>O-RING, RETAINER (EPDM) - ZP3 45/60/64/130/134</i>	2



Exploded View

Optional Items Shown in ITALICS

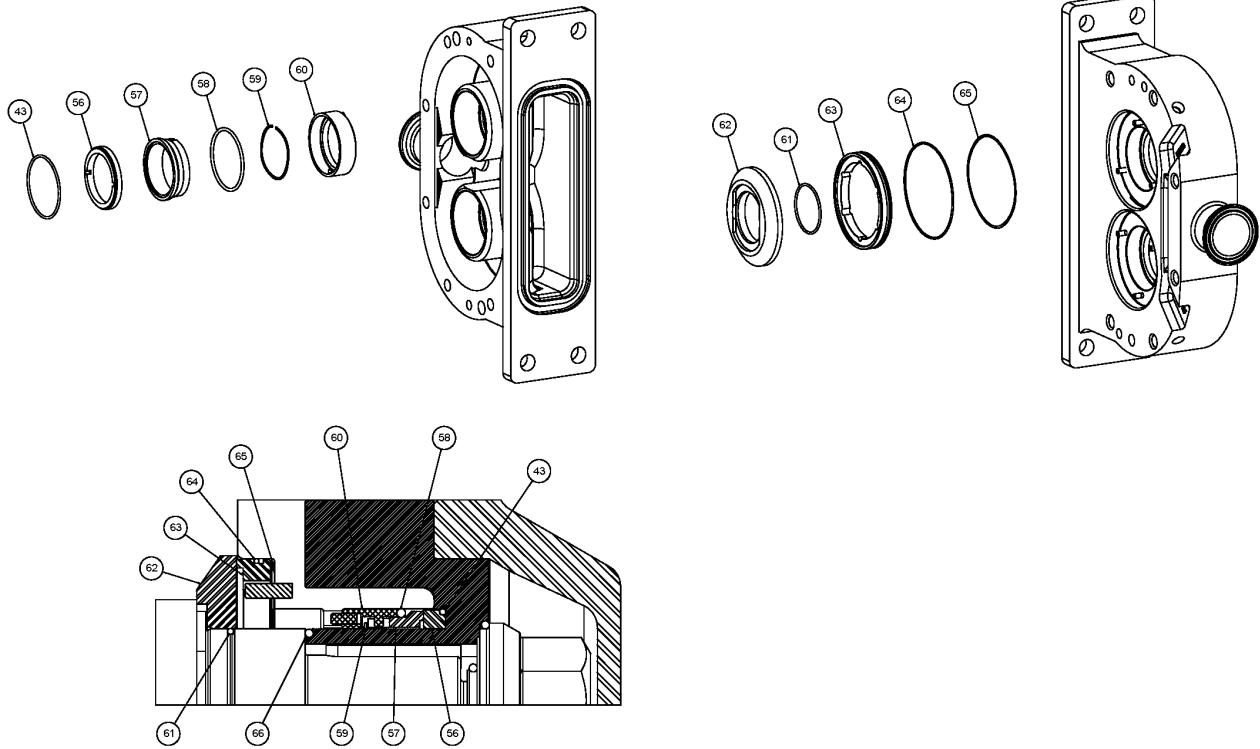
Ref #	Component Item No.	Description	Qty Per
47	P2GX101693	BELLEVILLE WASHER, SS - ZP3 45/60/64/130/134	2
48	P2SX101806	ROTOR NUT - ZP3 45/60/64/130/134	2
49	V70373	O-RING, COVER (VITON) - ZP3 45/60/64/130/134	1
	<i>N70373</i>	<i>O-RING, COVER (BUNA) - ZP3 45/60/64/130/134</i>	<i>1</i>
	<i>E70373</i>	<i>O-RING, COVER (EPDM) - ZP3 45/60/64/130/134</i>	<i>1</i>
	<i>SE70373</i>	<i>O-RING, COVER (FEP ENCAPSULATED SILICONE) - ZP3 45/60/64/130/134</i>	<i>1</i>
50	P3CVR101848	COVER - ZP3 45/60/64/130/134	1
	<i>P3CVR107668</i>	<i>COVER, JACKETED - ZP3 45/60/64/130/134</i>	<i>1</i>
51	P1SX108371	COVER HEX NUT - ZP3 45/60/64/130/134	8
	<i>P1GX105852</i>	<i>WING NUT - ZP1 45/60/64/130/134</i>	<i>8</i>
53	P1GXEYEBOLT-SS	EYE BOLT,60-224,SS	2
54	P1GX000CENAIL	DRIVENAIL,ZP,GEAR CASE GUARDS	4
55	P2SX070SPATE	BEARING RETAINER SPLASH PLATE - ZP3 45/60/64/130/134	2
60	P3SX060098000	SEAL SLEEVE, OLD DESIGN - ZP3 064	2
66	V70224	O-RING, ROTOR HUB (VITON) - ZP3 45/60/64/130/134	2
	<i>N70224</i>	<i>O-RING, ROTOR HUB (BUNA) - ZP3 45/60/64/130/134</i>	<i>2</i>
	<i>E70224</i>	<i>O-RING, ROTOR HUB (EPDM) - ZP3 45/60/64/130/134</i>	<i>2</i>



Single Mechanical Seal

Optional Items Shown in ITALICS

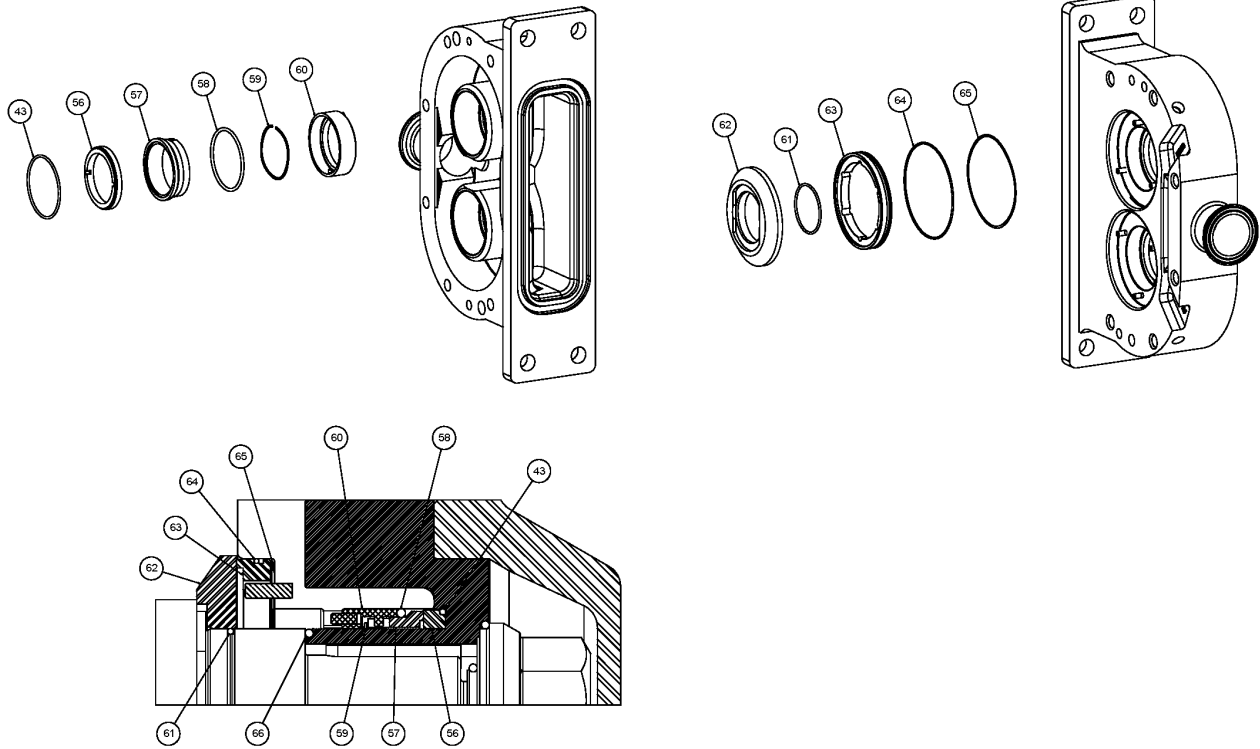
Ref #	Component Item No.	Description	Qty Per
43	V70036	O-RING, ROTOR SEAL FACE (VITON) - ZP3 45/60/64/130/134	2
	<i>N70036</i>	<i>O-RING, ROTOR SEAL FACE (BUNA) - ZP3 45/60/64/130/134</i>	<i>2</i>
	<i>E70036</i>	<i>O-RING, ROTOR SEAL FACE (EPDM) - ZP3 45/60/64/130/134</i>	<i>2</i>
56	P3GS060014009	ROTOR SEAL FACE (C) - ZP3 45/60/64/130/134	2
	<i>P3GS060014000</i>	<i>ROTOR SEAL FACE (TC) - ZP3 45/60/64/130/134</i>	<i>2</i>
57	P3GS060306000	BODY SEAL FACE (TC) - ZP3 45/60/64/130/134	2
58	V70141	O-RING, BODY SEAL FACE (VITON) - ZP3 45/60/64/130/134	2
	<i>N70141</i>	<i>O-RING, BODY SEAL FACE (BUNA) - ZP3 45/60/64/130/134</i>	<i>2</i>
	<i>E70141</i>	<i>O-RING, BODY SEAL FACE (EPDM) - ZP3 45/60/64/130/134</i>	<i>2</i>
59	P3GS060304000	SEAL WAVE SPRING - ZP3 45/60/64/130/134	2
60	P3SX060098000	SEAL SLEEVE, OLD DESIGN - ZP3 064	2



Double Mechanical Seal

Optional Items Shown in ITALICS

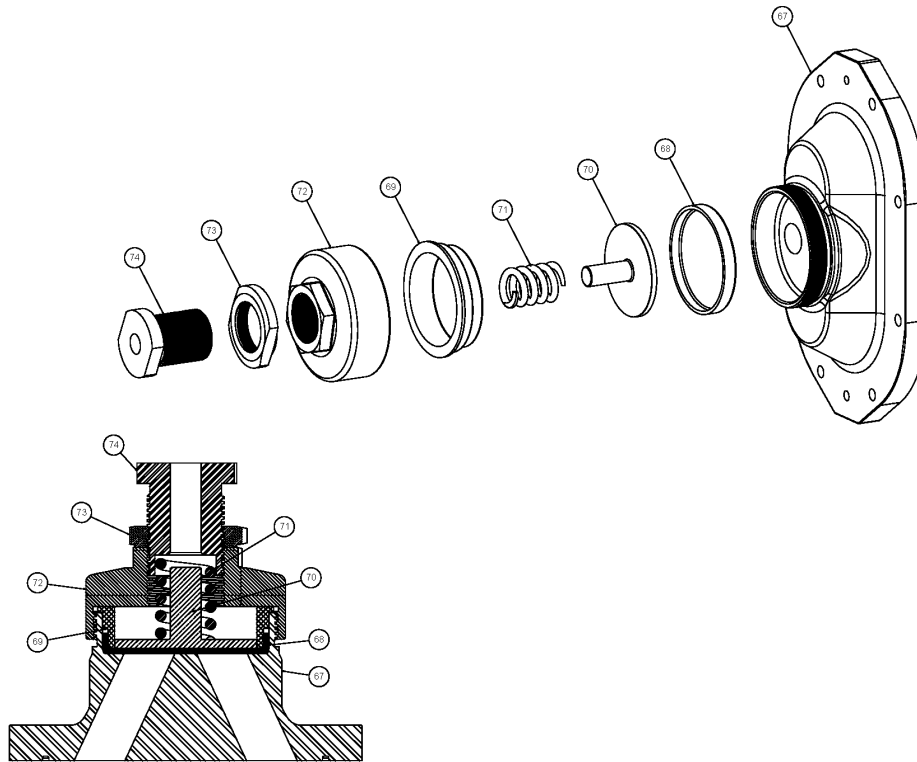
Ref #	Component Item No.	Description	Qty Per
43	V70036	O-RING, ROTOR SEAL FACE (VITON) - ZP3 45/60/64/130/134	2
	<i>N70036</i>	<i>O-RING, ROTOR SEAL FACE (BUNA) - ZP3 45/60/64/130/134</i>	2
	<i>E70036</i>	<i>O-RING, ROTOR SEAL FACE (EPDM) - ZP3 45/60/64/130/134</i>	2
44	P3RTB060010C00	ROTOR TWIN BLADE - ZP3 60/64 (STD-CIP) - ALLOY 88	2
	<i>P3RTB060010C0H</i>	<i>ROTOR TWIN BLADE - ZP3 60/64 (STD-CIP) - ALLOY 88 - HOT CLEARANCE</i>	2
	<i>P3RTB0600102C0</i>	<i>ROTOR TWIN BLADE - ZP3 60/64 (STD-CIP) - 316L</i>	2
45	V70227	O-RING, ROTOR NUT (VITON) - ZP3 45/60/64/130/134	2
	<i>N70227</i>	<i>O-RING, ROTOR NUT (BUNA) - ZP3 45/60/64/130/134</i>	2
	<i>E70227</i>	<i>O-RING, ROTOR NUT (EPDM) - ZP3 45/60/64/130/134</i>	2
46	V70119	O-RING, RETAINER (VITON) - ZP3 45/60/64/130/134	2
	<i>N70119</i>	<i>O-RING, RETAINER (BUNA) - ZP3 45/60/64/130/134</i>	2
	<i>E70119</i>	<i>O-RING, RETAINER (EPDM) - ZP3 45/60/64/130/134</i>	2
47	P2GX101693	BELLEVILLE WASHER, SS - ZP3 45/60/64/130/134	2
48	P2SX101806	ROTOR NUT - ZP3 45/60/64/130/134	2
49	V70373	O-RING, COVER (VITON) - ZP3 45/60/64/130/134	1
	<i>N70373</i>	<i>O-RING, COVER (BUNA) - ZP3 45/60/64/130/134</i>	1
	<i>E70373</i>	<i>O-RING, COVER (EPDM) - ZP3 45/60/64/130/134</i>	1
	<i>SE70373</i>	<i>O-RING, COVER (FEP ENCAPSULATED SILICONE) - ZP3 45/60/64/130/134</i>	1
56	P3GS060014009	ROTOR SEAL FACE (C) - ZP3 45/60/64/130/134	2
	<i>P3GS060014000</i>	<i>ROTOR SEAL FACE (TC) - ZP3 45/60/64/130/134</i>	2
57	P3GS060306000	BODY SEAL FACE (TC) - ZP3 45/60/64/130/134	2
58	V70141	O-RING, BODY SEAL FACE (VITON) - ZP3 45/60/64/130/134	2
	<i>N70141</i>	<i>O-RING, BODY SEAL FACE (BUNA) - ZP3 45/60/64/130/134</i>	2
	<i>E70141</i>	<i>O-RING, BODY SEAL FACE (EPDM) - ZP3 45/60/64/130/134</i>	2
59	P3GS060304000	SEAL WAVE SPRING - ZP3 45/60/64/130/134	2
60	P3SX060098000	SEAL SLEEVE, OLD DESIGN - ZP3 064	2
61	V70133	O-RING, SHAFT (VITON) - ZP3 45/60/64/130/134	2



Double Mechanical Seal

Optional Items Shown in ITALICS

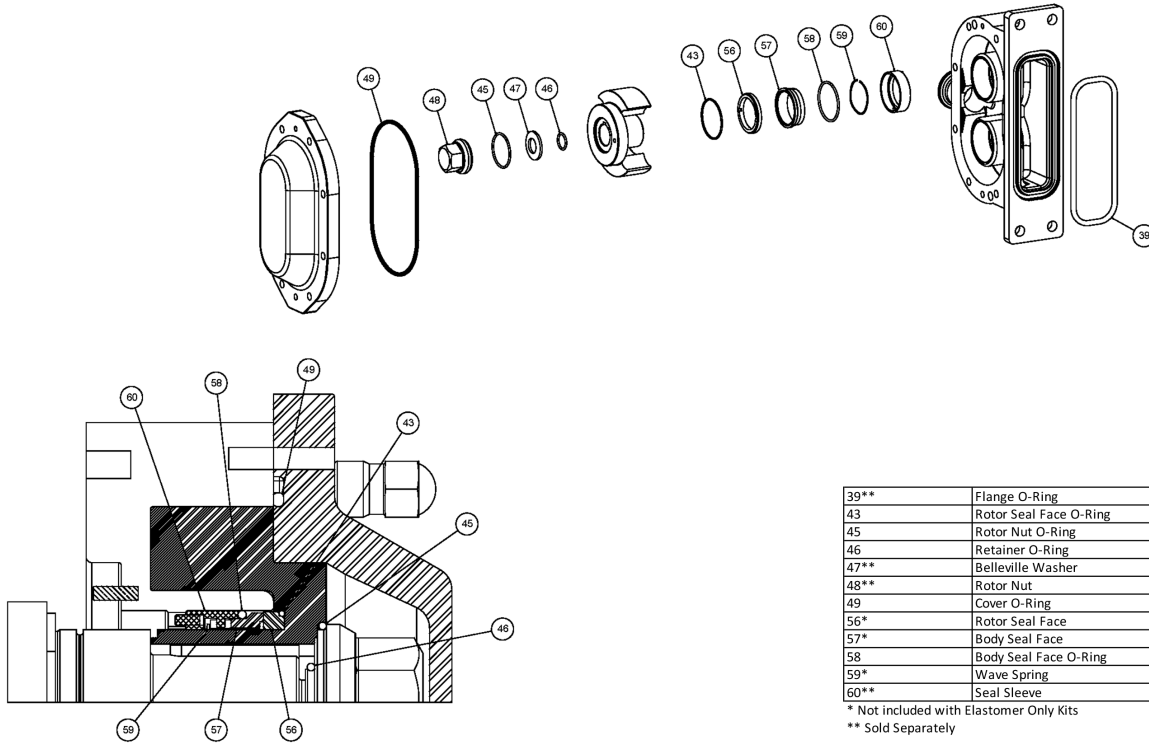
Ref #	Component Item No.	Description	Qty Per
61	<i>N70133</i>	<i>O-RING, SHAFT (BUNA) - ZP3 45/60/64/130/134</i>	2
	<i>E70133</i>	<i>O-RING, SHAFT (EPDM) - ZP3 45/60/64/130/134</i>	2
62	P2GS101673	SEAL SEAT (K) - ZP3 45/60/64/130/134	2
	<i>P2GS101674</i>	<i>SEAL SEAT (C) - ZP3 45/60/64/130/134</i>	2
63	P2GS101681	OUTER SEAL (N) - ZP3 45/60/64/130/134	2
64	V70043	O-RING, OUTER SEAL (VITON) - ZP3 45/60/64/130/134	2
	<i>N70043</i>	<i>O-RING, OUTER SEAL (BUNA) - ZP3 45/60/64/130/134</i>	2
	<i>E70043</i>	<i>O-RING, OUTER SEAL (EPDM) - ZP3 45/60/64/130/134</i>	2
65	P2GS101688	OUTER SEAL WAVE SPRING - ZP3 45/60/64/130/134	2
66	V70224	O-RING, ROTOR HUB (VITON) - ZP3 45/60/64/130/134	2
	<i>N70224</i>	<i>O-RING, ROTOR HUB (BUNA) - ZP3 45/60/64/130/134</i>	2
	<i>E70224</i>	<i>O-RING, ROTOR HUB (EPDM) - ZP3 45/60/64/130/134</i>	2



Pressure Relief Cover

Optional Items Shown in ITALICS

Ref #	Component Item No.	Description	Qty Per
67	P3CVR103671	VENTED FRONT COVER, ZP3 - 45/60/64/130/134	1
68	P1GXCD0078V00	RUBBER DIAPHRAGM, VITON, ZP3 - 45/60/64/130/134	1
	<i>P1GXCD0078000</i>	<i>RUBBER DIAPHRAGM, BUNA, ZP3 - 45/60/64/130/134</i>	1
	<i>P1GXCD0078E00</i>	<i>RUBBER DIAPHRAGM, EPDM, ZP3 - 45/60/64/130/134</i>	1
69	P1SXCD0077000	DIAPHRAGM BUSHING, ZP3 - 45/60/64/130/134	1
70	P1SX113397	SPRING PLUNGER, ZP3 - 45/60/64/130/134	1
71	P1SX113523	SPRING, MEDIUM, (LESS THAN 150 PSI), ZP3 - 45/60/64/130/134	1
	<i>P1SX113400</i>	<i>SPRING, HIGH, (MORE THAN 150 PSI), ZP3 - 45/60/64/130/134</i>	1
72	P1SX113398	COVER NUT, ZP3 - 45/60/64/130/134	1
73	P1SXGD0074000	LOCKNUT, ZP3 - 45/60/64/130/134/180/184/220/224	1
74	P1SX113657	ADJUSTING SCREW, ZP3 - 45/60/64/130/134/180/184/220/224	1



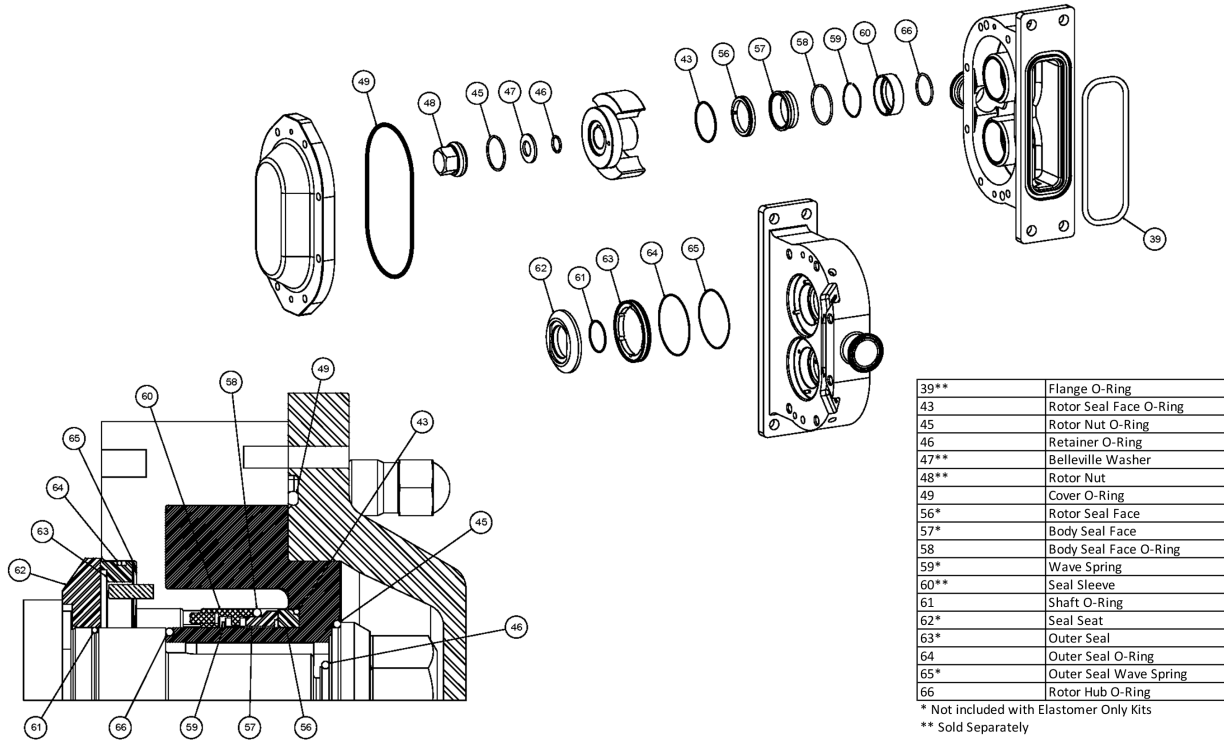
39**	Flange O-Ring
43	Rotor Seal Face O-Ring
45	Rotor Nut O-Ring
46	Retainer O-Ring
47**	Belleville Washer
48**	Rotor Nut
49	Cover O-Ring
56*	Rotor Seal Face
57*	Body Seal Face
58	Body Seal Face O-Ring
59*	Wave Spring
60**	Seal Sleeve

* Not included with Elastomer Only Kits
** Sold Separately

Single Mechanical Seal Kit

Optional Items Shown in ITALICS

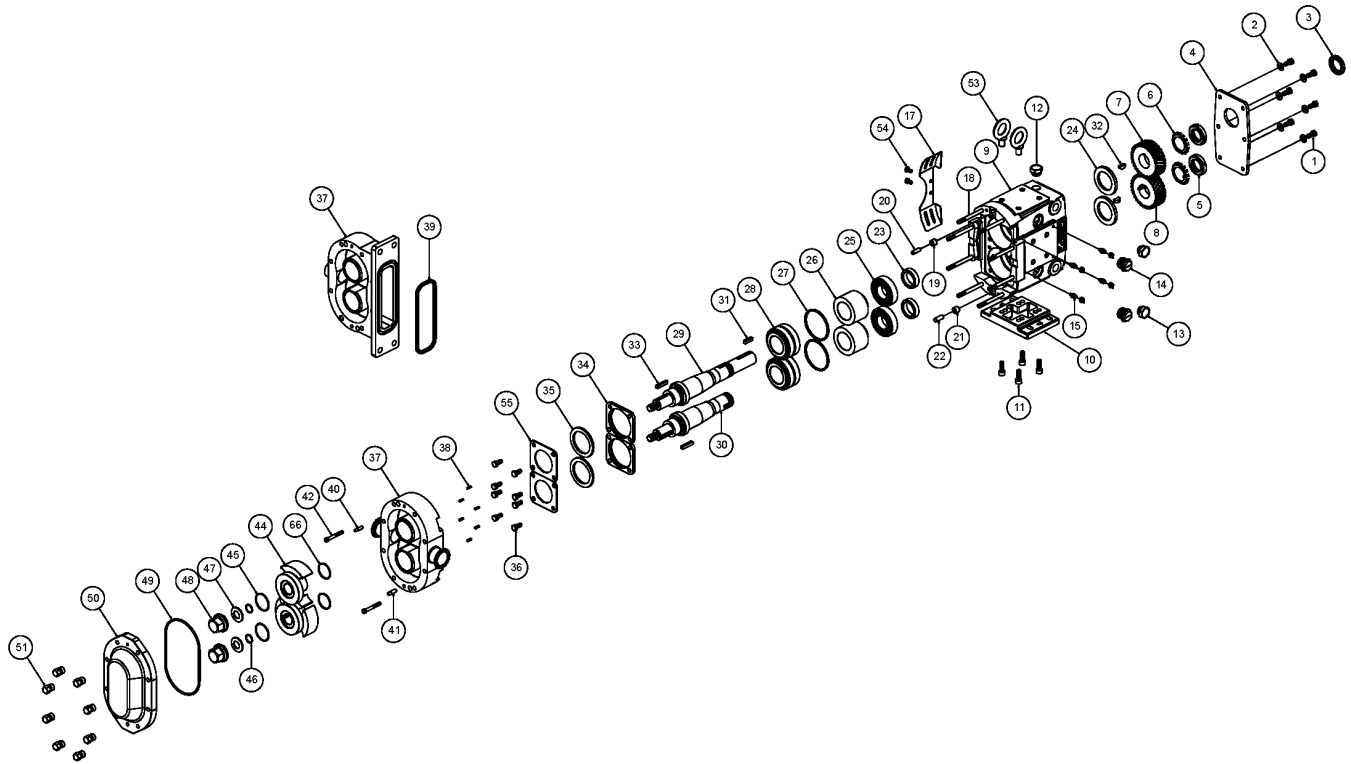
Ref #	Component Item No.	Description	Qty Per
1	P3GX060000-V	SEAL KIT, SGL MECH, ELASTOMERS ONLY, VITON - ZP3 45/60/64/130/134	1
	<i>P3GX060000-N</i>	<i>SEAL KIT, SGL MECH, ELASTOMERS ONLY, BUNA - ZP3 45/60/64/130/134</i>	<i>1</i>
	<i>P3GX060000-E</i>	<i>SEAL KIT, SGL MECH, ELASTOMERS ONLY, EPDM - ZP3 45/60/64/130/134</i>	<i>1</i>
3	P3GS060000-V	SEAL KIT, SGL MECH, TC/SC, VITON - ZP3 45/60/64/130/134	1
	<i>P3GS060000-N</i>	<i>SEAL KIT, SGL MECH, TC/SC, BUNA - ZP3 45/60/64/130/134</i>	<i>1</i>
	<i>P3GS060000-E</i>	<i>SEAL KIT, SGL MECH, TC/SC, EPDM - ZP3 45/60/64/130/134</i>	<i>1</i>
47	P2GX101693	BELLEVILLE WASHER, SS - ZP3 45/60/64/130/134	2
48	P2SX101806	ROTOR NUT - ZP3 45/60/64/130/134	2
60	P3SX060098000	SEAL SLEEVE, OLD DESIGN - ZP3 064	2



Double Mechanical Seal Kit

Optional Items Shown in ITALICS

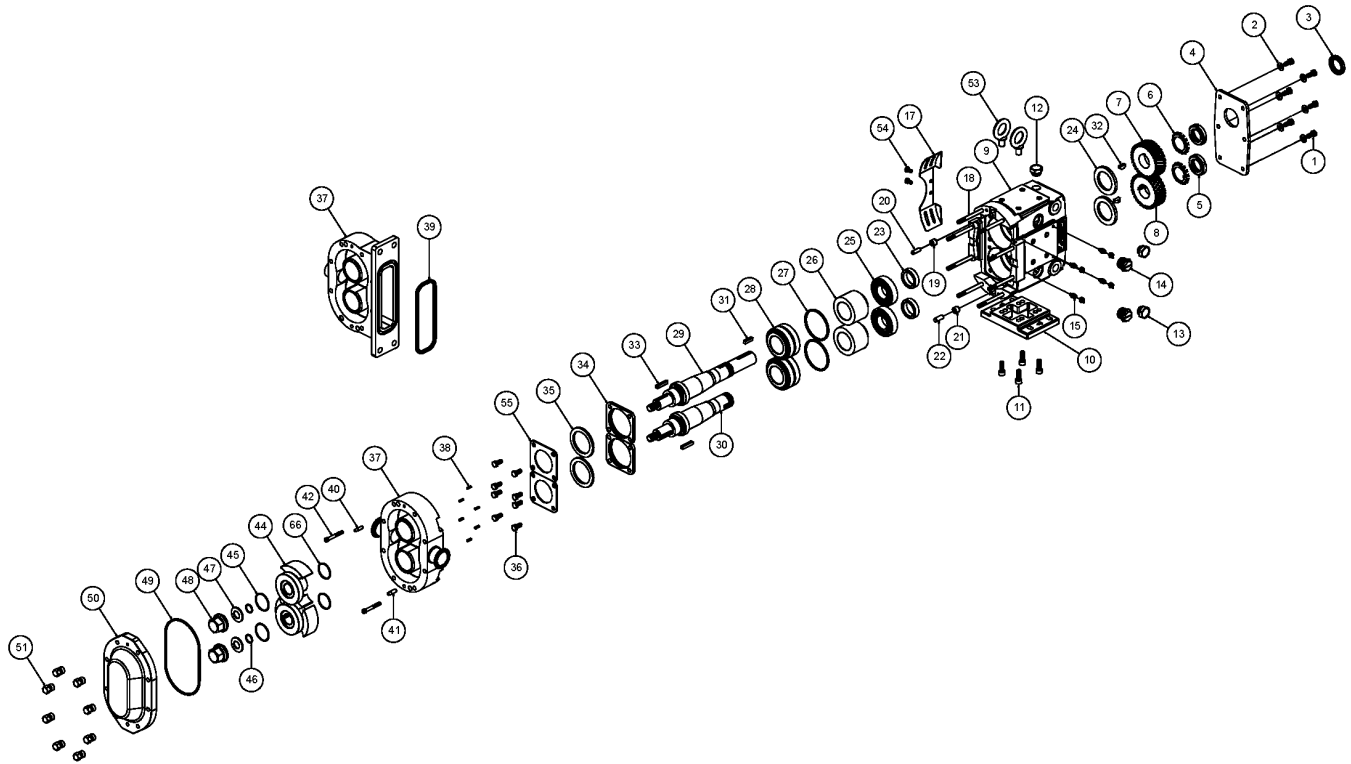
Ref #	Component Item No.	Description	Qty Per
1	P3GX060000-V	SEAL KIT, DBL MECH, ELASTOMERS ONLY, VITON - ZP3 45/60/64/130/134	1
	<i>P3GX060000-N</i>	<i>SEAL KIT, DBL MECH, ELASTOMERS ONLY, BUNA - ZP3 45/60/64/130/134</i>	<i>1</i>
	<i>P3GX060000-E</i>	<i>SEAL KIT, DBL MECH, ELASTOMERS ONLY, EPDM - ZP3 45/60/64/130/134</i>	<i>1</i>
3	P3GS060000-V	SEAL KIT, DBL MECH, TC/SC - CE/CA, VITON - ZP3 45/60/64/130/134	1
	<i>P3GS060000-N</i>	<i>SEAL KIT, DBL MECH, TC/SC - CE/CA, BUNA - ZP3 45/60/64/130/134</i>	<i>1</i>
	<i>P3GS060000-E</i>	<i>SEAL KIT, DBL MECH, TC/SC - CE/CA, EPDM - ZP3 45/60/64/130/134</i>	<i>1</i>
5	P3GS060000-V	SEAL KIT, DBL MECH, TC/SC - SC/CA, VITON - ZP3 45/60/64/130/134	1
	<i>P3GS060000-N</i>	<i>SEAL KIT, DBL MECH, TC/SC - SC/CA, BUNA - ZP3 45/60/64/130/134</i>	<i>1</i>
	<i>P3GS060000-E</i>	<i>SEAL KIT, DBL MECH, TC/SC - SC/CA, EPDM - ZP3 45/60/64/130/134</i>	<i>1</i>
47	P2GX101693	BELLEVILLE WASHER, SS - ZP3 45/60/64/130/134	2
48	P2SX101806	ROTOR NUT - ZP3 45/60/64/130/134	2
60	P3SX060098000	SEAL SLEEVE, OLD DESIGN - ZP3 064	2



Exploded View

Optional Items Shown in ITALICS

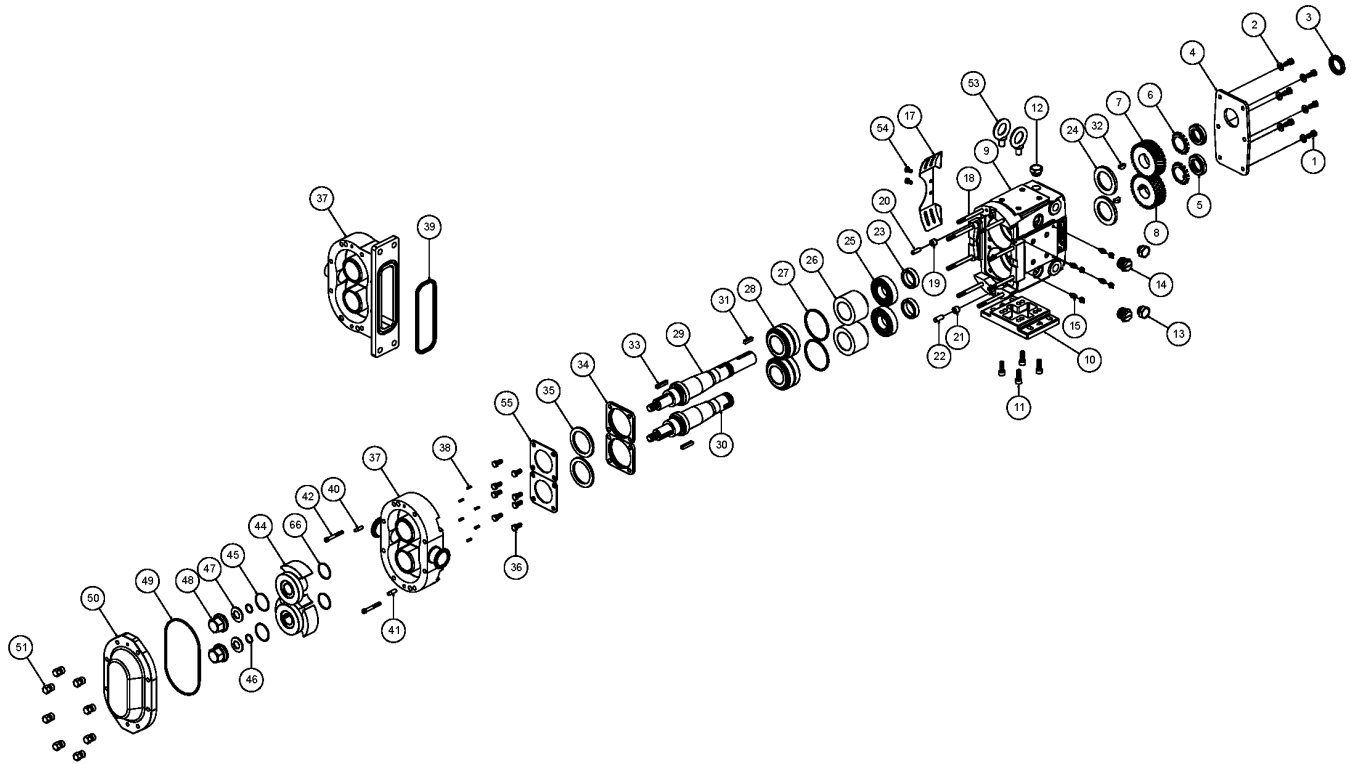
Ref #	Component Item No.	Description	Qty Per
1	P1GX30-50	GEAR CASE COVER BOLT - 3/8-16 X 3/4 HHCS (18-8 SS)	6
2	P1GX43-189	GEAR CASE COVER WASHER - 3/8 FLAT WASHER (18-8 SS)	6
3	P1GX000030012	OIL SEAL, GEAR CASE COVER - ZP3 45/60/64/130/134	1
4	P1SX070106000	GEAR CASE COVER, SS - ZP3 45/60/64/130/134	1
5	P1GXSTD236009	GEAR LOCKNUT - ZP3 45/60/64/130/134	2
6	P1GXSTD136009	GEAR LOCKWASHER - ZP3 45/60/64/130/134	2
7	P1GX060007001	GEAR DRIVE SHAFT - ZP3 45/60/64/130/134	1
8	P1GX060007002	GEAR SHORT SHAFT - ZP3 45/60/64/130/134	1
9	P1SX070005000	GEAR CASE, SS - ZP3 45/60/64/130/134	1
10	P1SX070110000	GEAR CASE BASE, SS - ZP3 45/60/64/130/134	1
11	P1GX60SHCSGCB	SHCS, G. CASE BASE, (18-8 SS) 1/2-13 X 1.5" - ZP3 45/60/64/130/134	4
12	P1GX115798	PLUG,HEX,20M X1.5,W/NBR SEAL	5
13	P1GX115799	GAUGE,OIL,LVL,INDIC,M-20X1.5	1
14	P1GX70PLUG-SS	CLEAN OUT PLUG, SS - ZP3 45/60/64/130/134	4
15	P1GXBD0092001	GREASE FITTING, THREADED 1/4"-28 TAPER, SS	8
17	P1SX070CEGUARD	GUARD,45-134,(CE),GC,SS	2
18	P2GX101722	STUD, ZP3 130	8
	<i>P1GX130011001</i>	<i>STUD, JACKETED COVER, ZP3 130</i>	8
19	P1GXCD0116000	UPPER DOWEL BUSHING - ZP3 45/60/64/130/134	1
20	P1GX124584	DOWEL PIN - ZP3 45/60/64/130/134	1
21	P1GXCD0116100	LOWER DOWEL BUSHING - ZP3 45/60/64/130/134	1
22	P1GX124586	DOWEL PIN - ZP3 45/60/64/130/134	1
23	P1GX107187	GEAR TO REAR BEARING SPACER - ZP3 45/60/64/130/134	2
24	P1GX000030011	OIL SEAL REAR - ZP3 45/60/64/130/134	2
25	P1GX107186	REAR BEARING - ZP3 45/60/64/130/134	2
26	P1GX060055003	BEARING SPACER - ZP3 45/60/64/130/134	2
27	P1GX117891	SHIM KIT - ZP3 45/60/64/130/134	2



Exploded View

Optional Items Shown in ITALICS

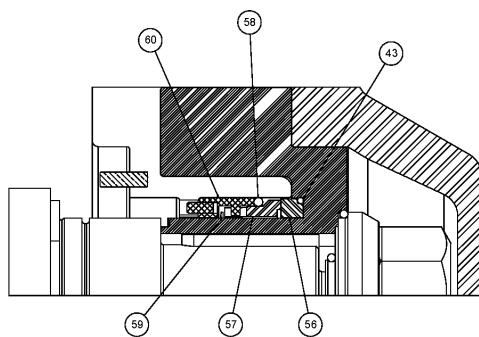
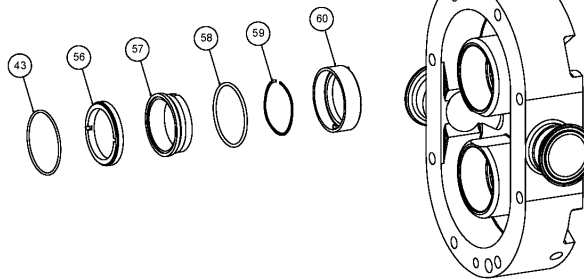
Ref #	Component Item No.	Description	Qty Per
28	P1GX060036000	FRONT BEARING - ZP3 45/60/64/130/134	2
29	P2SX108413	DRIVE SHAFT (17-4PH) - ZP3 130/134	1
30	P2SX108414	SHORT SHAFT (17-4PH) - ZP3 130/134	1
31	P1GX000037003	DRIVE KEY, 3/8" SQ. X 1-5/8" - ZP3 45/60/64/130/134	1
32	P1GX060037000	GEAR KEY - ZP3 45/60/64/130/134	2
33	P2SX101825	ROTOR KEY - ZP3 130/134	2
34	P1SX121828	BEARING RETAINER, NEW STYLE 3A - ZP3 45/60/64/130/134	2
35	P2GX101829	BEARING RETAINER GREASE SEAL - ZP3 45/60/64/130/134	2
36	GX5077200	BEARING RETAINER BOLT - 3/8-16 X 1-1/4 HHCS (18-8 SS)	8
37	P3BDY130001002	BODY - ZP3 130	1
	<i>P3BDY130001F02</i>	<i>BODY - ZP3 130 - FLUSHED</i>	1
38	P2GX101720	STOP PIN,SEAL - ZP3 45/60/64/130/134	6
40	P1GX124582	DOWEL PIN - ZP3 45/60/64/130/134	1
41	P1GX124583	DOWEL PIN - ZP3 45/60/64/130/134	1
42	P1GX30-423	CAPSCRW,SH,5/16-18X4,18-8SS SCKT HD	2
44	P3RTB130010C00	ROTOR TWIN BLADE - ZP3 130/134 (STD-CIP) - ALLOY 88	2
	<i>P3RTB130010C0H</i>	<i>ROTOR TWIN BLADE - ZP3 130/134 (STD-CIP) - ALLOY 88 - HOT CLEARANCE</i>	2
	<i>P3RTB130010CHC</i>	<i>ROTOR TWIN BLADE - ZP3 130/134 (STD-CIP) - ALLOY 88 - HOT CHOCOLATE</i>	2
45	V70227	O-RING, ROTOR NUT (VITON) - ZP3 45/60/64/130/134	2
	<i>N70227</i>	<i>O-RING, ROTOR NUT (BUNA) - ZP3 45/60/64/130/134</i>	2
	<i>E70227</i>	<i>O-RING, ROTOR NUT (EPDM) - ZP3 45/60/64/130/134</i>	2
46	V70119	O-RING, RETAINER (VITON) - ZP3 45/60/64/130/134	2
	<i>N70119</i>	<i>O-RING, RETAINER (BUNA) - ZP3 45/60/64/130/134</i>	2
	<i>E70119</i>	<i>O-RING, RETAINER (EPDM) - ZP3 45/60/64/130/134</i>	2
47	P2GX101693	BELLEVILLE WASHER, SS - ZP3 45/60/64/130/134	2
48	P2SX101806	ROTOR NUT - ZP3 45/60/64/130/134	2
49	V70373	O-RING, COVER (VITON) - ZP3 45/60/64/130/134	1



Exploded View

Optional Items Shown in ITALICS

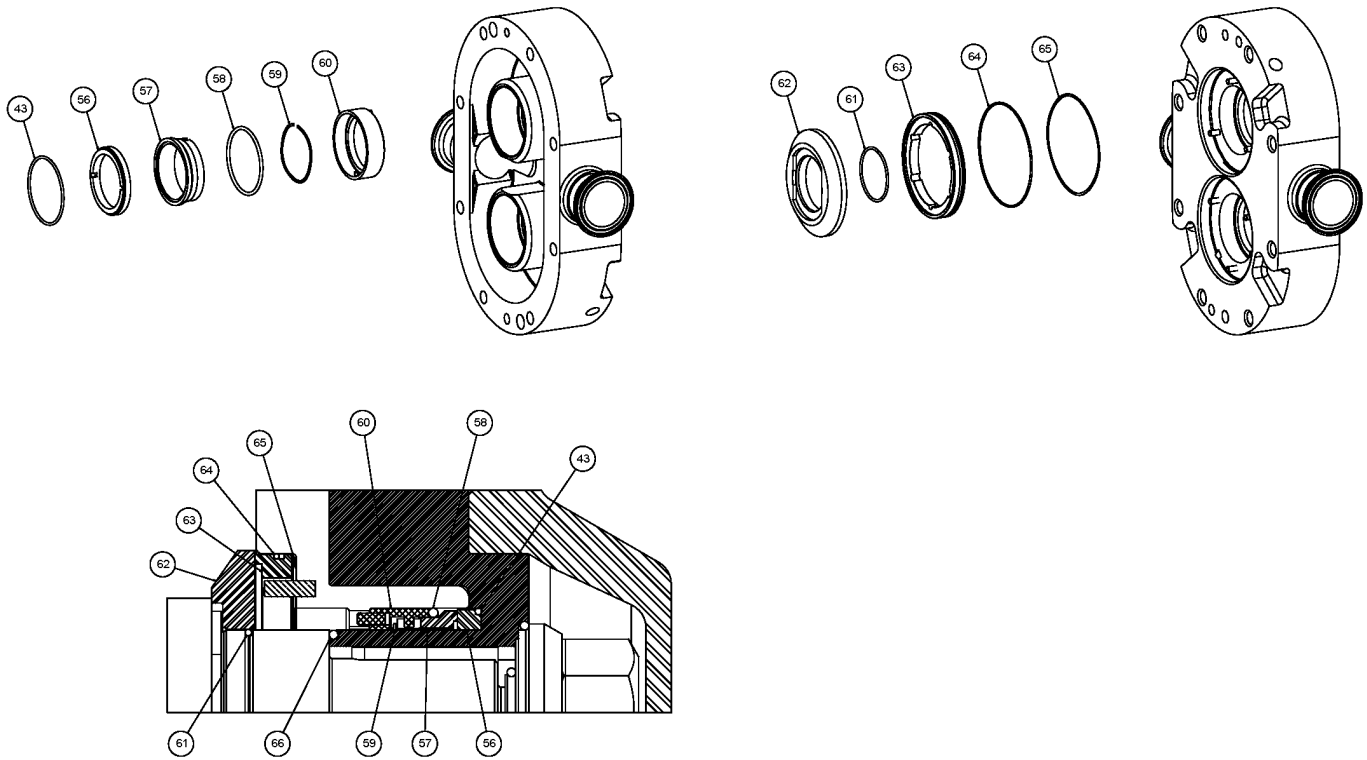
Ref #	Component Item No.	Description	Qty Per
49	<i>N70373</i>	<i>O-RING, COVER (BUNA) - ZP3 45/60/64/130/134</i>	1
	<i>E70373</i>	<i>O-RING, COVER (EPDM) - ZP3 45/60/64/130/134</i>	1
	<i>SE70373</i>	<i>O-RING, COVER (FEP ENCAPSULATED SILICONE) - ZP3 45/60/64/130/134</i>	1
50	P3CVR101848	COVER - ZP3 45/60/64/130/134	1
	<i>P3CVR107668</i>	<i>COVER, JACKETED - ZP3 45/60/64/130/134</i>	1
51	P1SX108371	COVER HEX NUT - ZP3 45/60/64/130/134	8
	<i>P1GX105852</i>	<i>WING NUT - ZP1 45/60/64/130/134</i>	8
53	P1GXEYEBOLT-SS	EYE BOLT,60-224,SS	2
54	P1GX000CENAIL	DRIVENAIL,ZP,GEAR CASE GUARDS	4
55	P2SX070SPLATE	BEARING RETAINER SPLASH PLATE - ZP3 45/60/64/130/134	2
60	P3SX070098000	SEAL SLEEVE, NEW DESIGN - ZP3 45/60/130	2
66	V70224	O-RING, ROTOR HUB (VITON) - ZP3 45/60/64/130/134	2
	<i>N70224</i>	<i>O-RING, ROTOR HUB (BUNA) - ZP3 45/60/64/130/134</i>	2
	<i>E70224</i>	<i>O-RING, ROTOR HUB (EPDM) - ZP3 45/60/64/130/134</i>	2



Single Mechanical Seal

Optional Items Shown in ITALICS

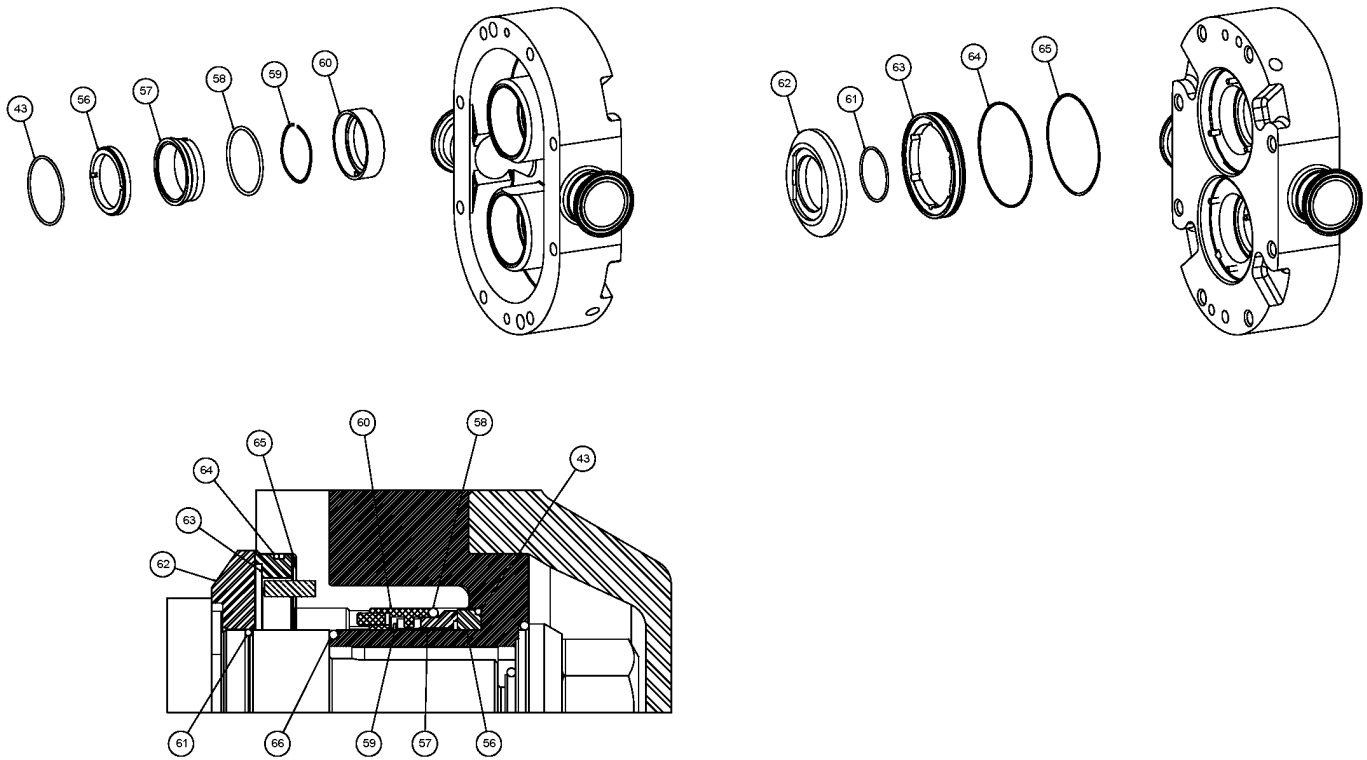
Ref #	Component Item No.	Description	Qty Per
43	V70036	O-RING, ROTOR SEAL FACE (VITON) - ZP3 45/60/64/130/134	2
	<i>N70036</i>	<i>O-RING, ROTOR SEAL FACE (BUNA) - ZP3 45/60/64/130/134</i>	2
	<i>E70036</i>	<i>O-RING, ROTOR SEAL FACE (EPDM) - ZP3 45/60/64/130/134</i>	2
56	P3GS060014009	ROTOR SEAL FACE (C) - ZP3 45/60/64/130/134	2
	<i>P3GS060014000</i>	<i>ROTOR SEAL FACE (TC) - ZP3 45/60/64/130/134</i>	2
57	P3GS060306000	BODY SEAL FACE (TC) - ZP3 45/60/64/130/134	2
58	V70141	O-RING, BODY SEAL FACE (VITON) - ZP3 45/60/64/130/134	2
	<i>N70141</i>	<i>O-RING, BODY SEAL FACE (BUNA) - ZP3 45/60/64/130/134</i>	2
	<i>E70141</i>	<i>O-RING, BODY SEAL FACE (EPDM) - ZP3 45/60/64/130/134</i>	2
59	P3GS060304000	SEAL WAVE SPRING - ZP3 45/60/64/130/134	2
60	P3SX070098000	SEAL SLEEVE, NEW DESIGN - ZP3 45/60/130	2



Double Mechanical Seal

Optional Items Shown in ITALICS

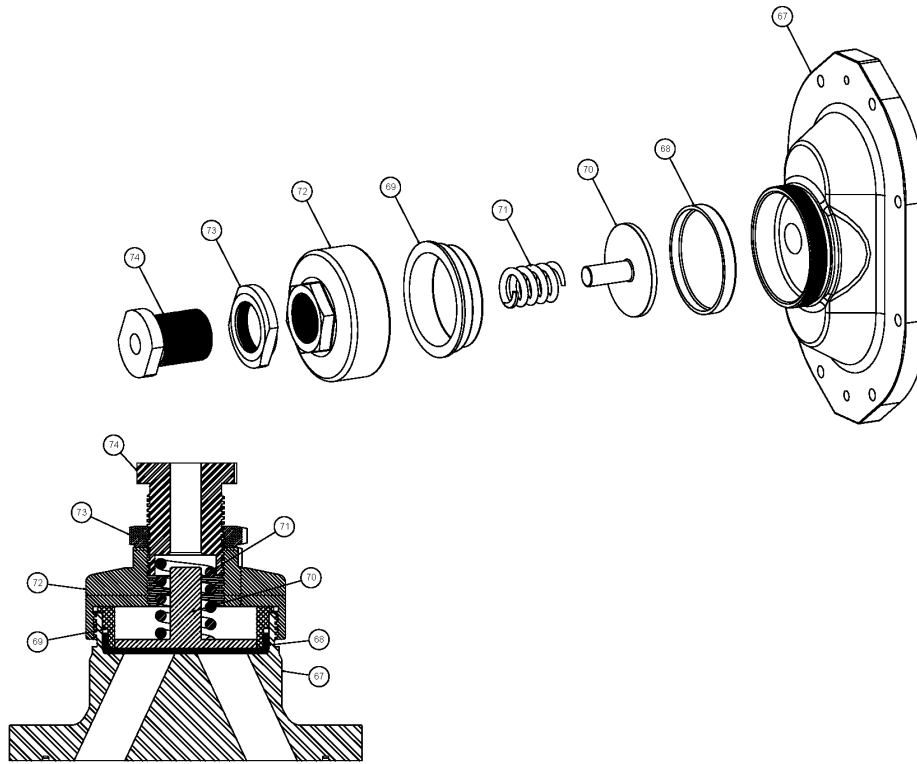
Ref #	Component Item No.	Description	Qty Per
43	V70036	O-RING, ROTOR SEAL FACE (VITON) - ZP3 45/60/64/130/134	2
	<i>N70036</i>	<i>O-RING, ROTOR SEAL FACE (BUNA) - ZP3 45/60/64/130/134</i>	2
	<i>E70036</i>	<i>O-RING, ROTOR SEAL FACE (EPDM) - ZP3 45/60/64/130/134</i>	2
44	P3RTB130010C00	ROTOR TWIN BLADE - ZP3 130/134 (STD-CIP) - ALLOY 88	2
	<i>P3RTB130010C0H</i>	<i>ROTOR TWIN BLADE - ZP3 130/134 (STD-CIP) - ALLOY 88 - HOT CLEARANCE</i>	2
	<i>P3RTB130010CHC</i>	<i>ROTOR TWIN BLADE - ZP3 130/134 (STD-CIP) - ALLOY 88 - HOT CHOCOLATE</i>	2
45	V70227	O-RING, ROTOR NUT (VITON) - ZP3 45/60/64/130/134	2
	<i>N70227</i>	<i>O-RING, ROTOR NUT (BUNA) - ZP3 45/60/64/130/134</i>	2
	<i>E70227</i>	<i>O-RING, ROTOR NUT (EPDM) - ZP3 45/60/64/130/134</i>	2
46	V70119	O-RING, RETAINER (VITON) - ZP3 45/60/64/130/134	2
	<i>N70119</i>	<i>O-RING, RETAINER (BUNA) - ZP3 45/60/64/130/134</i>	2
	<i>E70119</i>	<i>O-RING, RETAINER (EPDM) - ZP3 45/60/64/130/134</i>	2
47	P2GX101693	BELLEVILLE WASHER, SS - ZP3 45/60/64/130/134	2
48	P2SX101806	ROTOR NUT - ZP3 45/60/64/130/134	2
49	V70373	O-RING, COVER (VITON) - ZP3 45/60/64/130/134	1
	<i>N70373</i>	<i>O-RING, COVER (BUNA) - ZP3 45/60/64/130/134</i>	1
	<i>E70373</i>	<i>O-RING, COVER (EPDM) - ZP3 45/60/64/130/134</i>	1
	<i>SE70373</i>	<i>O-RING, COVER (FEP ENCAPSULATED SILICONE) - ZP3 45/60/64/130/134</i>	1
56	P3GS060014009	ROTOR SEAL FACE (C) - ZP3 45/60/64/130/134	2
	<i>P3GS060014000</i>	<i>ROTOR SEAL FACE (TC) - ZP3 45/60/64/130/134</i>	2
57	P3GS060306000	BODY SEAL FACE (TC) - ZP3 45/60/64/130/134	2
58	V70141	O-RING, BODY SEAL FACE (VITON) - ZP3 45/60/64/130/134	2
	<i>N70141</i>	<i>O-RING, BODY SEAL FACE (BUNA) - ZP3 45/60/64/130/134</i>	2
	<i>E70141</i>	<i>O-RING, BODY SEAL FACE (EPDM) - ZP3 45/60/64/130/134</i>	2
59	P3GS060304000	SEAL WAVE SPRING - ZP3 45/60/64/130/134	2
60	P3SX070098000	SEAL SLEEVE, NEW DESIGN - ZP3 45/60/130	2
61	V70133	O-RING, SHAFT (VITON) - ZP3 45/60/64/130/134	2



Double Mechanical Seal

Optional Items Shown in ITALICS

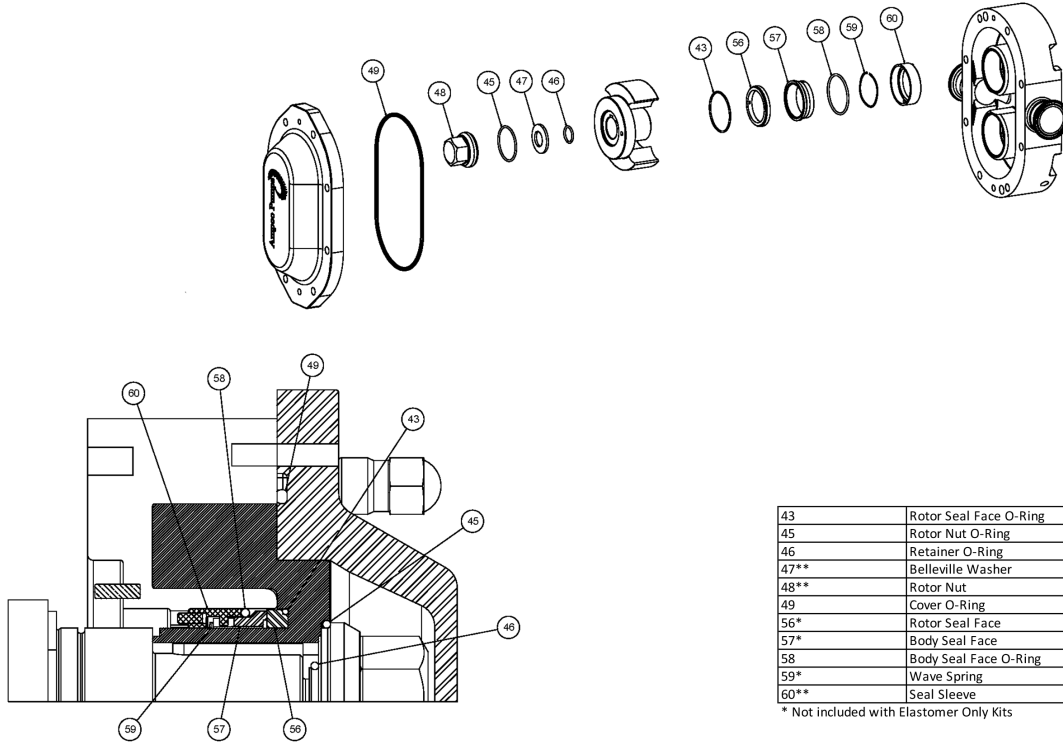
Ref #	Component Item No.	Description	Qty Per
61	<i>N70133</i>	<i>O-RING, SHAFT (BUNA) - ZP3 45/60/64/130/134</i>	2
	<i>E70133</i>	<i>O-RING, SHAFT (EPDM) - ZP3 45/60/64/130/134</i>	2
62	P2GS101673	SEAL SEAT (K) - ZP3 45/60/64/130/134	2
	<i>P2GS101674</i>	<i>SEAL SEAT (C) - ZP3 45/60/64/130/134</i>	2
63	P2GS101681	OUTER SEAL (N) - ZP3 45/60/64/130/134	2
64	V70043	O-RING, OUTER SEAL (VITON) - ZP3 45/60/64/130/134	2
	<i>N70043</i>	<i>O-RING, OUTER SEAL (BUNA) - ZP3 45/60/64/130/134</i>	2
	<i>E70043</i>	<i>O-RING, OUTER SEAL (EPDM) - ZP3 45/60/64/130/134</i>	2
65	P2GS101688	OUTER SEAL WAVE SPRING - ZP3 45/60/64/130/134	2
66	V70224	O-RING, ROTOR HUB (VITON) - ZP3 45/60/64/130/134	2
	<i>N70224</i>	<i>O-RING, ROTOR HUB (BUNA) - ZP3 45/60/64/130/134</i>	2
	<i>E70224</i>	<i>O-RING, ROTOR HUB (EPDM) - ZP3 45/60/64/130/134</i>	2



Pressure Relief Cover

Optional Items Shown in ITALICS

Ref #	Component Item No.	Description	Qty Per
67	P3CVR103671	VENTED FRONT COVER, ZP3 - 45/60/64/130/134	1
68	P1GXCD0078V00	RUBBER DIAPHRAGM, VITON, ZP3 - 45/60/64/130/134	1
	<i>P1GXCD0078000</i>	<i>RUBBER DIAPHRAGM, BUNA, ZP3 - 45/60/64/130/134</i>	1
	<i>P1GXCD0078E00</i>	<i>RUBBER DIAPHRAGM, EPDM, ZP3 - 45/60/64/130/134</i>	1
69	P1SXCD0077000	DIAPHRAGM BUSHING, ZP3 - 45/60/64/130/134	1
70	P1SX113397	SPRING PLUNGER, ZP3 - 45/60/64/130/134	1
71	P1SX113523	SPRING, MEDIUM, (LESS THAN 150 PSI), ZP3 - 45/60/64/130/134	1
	<i>P1SX113400</i>	<i>SPRING, HIGH, (MORE THAN 150 PSI), ZP3 - 45/60/64/130/134</i>	1
72	P1SX113398	COVER NUT, ZP3 - 45/60/64/130/134	1
73	P1SXGD0074000	LOCKNUT, ZP3 - 45/60/64/130/134/180/184/220/224	1
74	P1SX113657	ADJUSTING SCREW, ZP3 - 45/60/64/130/134/180/184/220/224	1



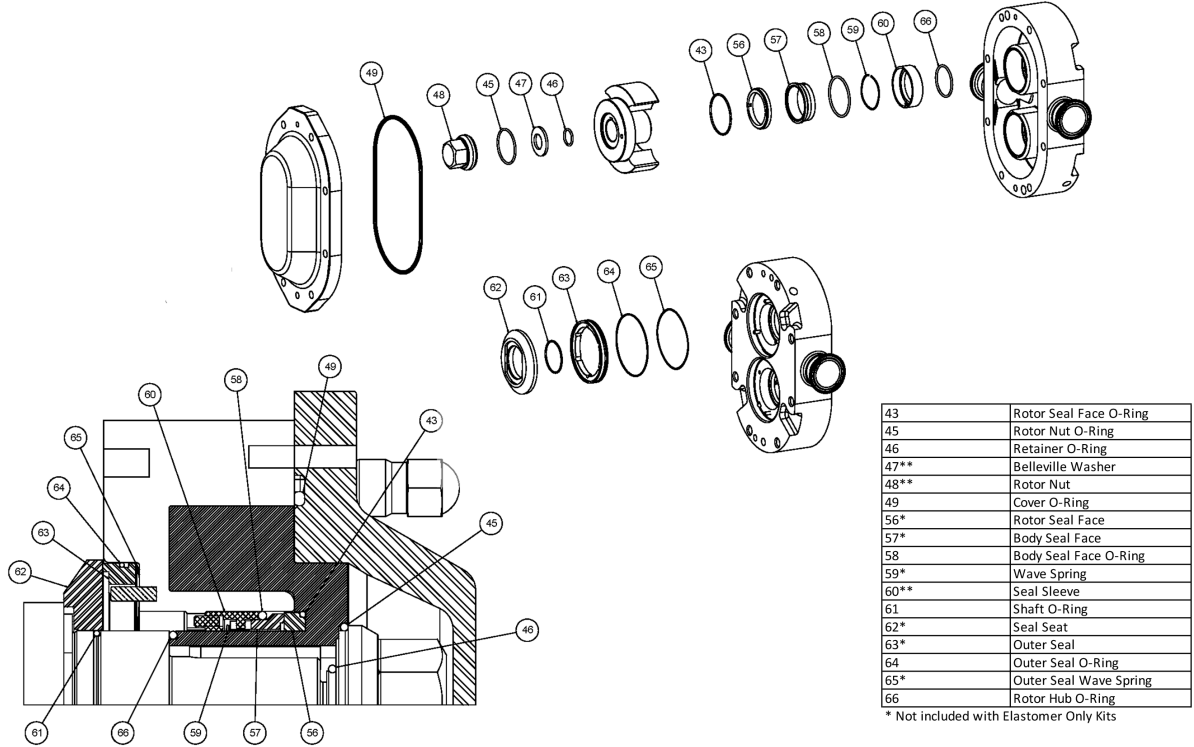
43	Rotor Seal Face O-Ring
45	Rotor Nut O-Ring
46	Retainer O-Ring
47**	Belleville Washer
48**	Rotor Nut
49	Cover O-Ring
56*	Rotor Seal Face
57*	Body Seal Face
58	Body Seal Face O-Ring
59*	Wave Spring
60**	Seal Sleeve

* Not included with Elastomer Only Kits

Single Mechanical Seal Kit

Optional Items Shown in ITALICS

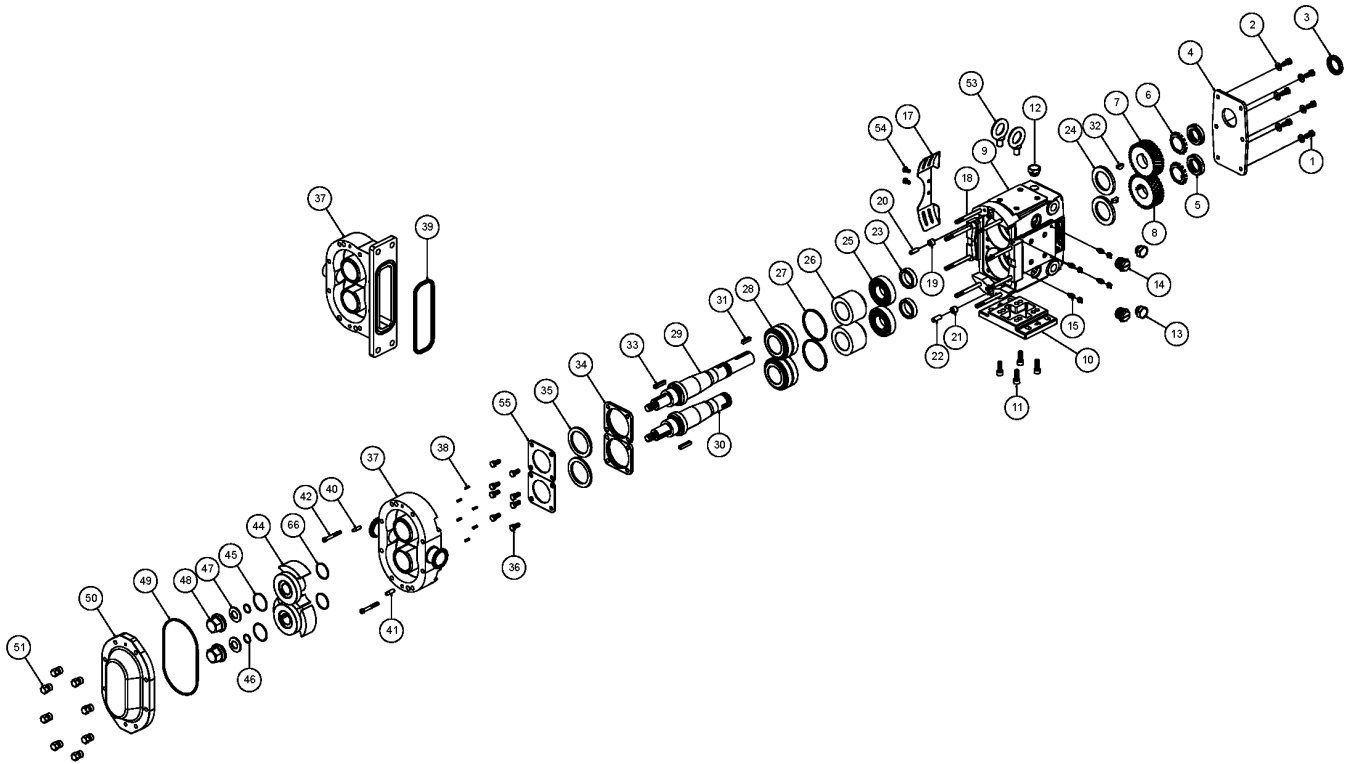
Ref #	Component Item No.	Description	Qty Per
1	P3GX060000-V	SEAL KIT, SGL MECH, ELASTOMERS ONLY, VITON - ZP3 45/60/64/130/134	1
	<i>P3GX060000-N</i>	<i>SEAL KIT, SGL MECH, ELASTOMERS ONLY, BUNA - ZP3 45/60/64/130/134</i>	<i>1</i>
	<i>P3GX060000-E</i>	<i>SEAL KIT, SGL MECH, ELASTOMERS ONLY, EPDM - ZP3 45/60/64/130/134</i>	<i>1</i>
3	P3GS060000-V	SEAL KIT, SGL MECH, TC/SC, VITON - ZP3 45/60/64/130/134	1
	<i>P3GS060000-N</i>	<i>SEAL KIT, SGL MECH, TC/SC, BUNA - ZP3 45/60/64/130/134</i>	<i>1</i>
	<i>P3GS060000-E</i>	<i>SEAL KIT, SGL MECH, TC/SC, EPDM - ZP3 45/60/64/130/134</i>	<i>1</i>
47	P2GX101693	BELLEVILLE WASHER, SS - ZP3 45/60/64/130/134	2
48	P2SX101806	ROTOR NUT - ZP3 45/60/64/130/134	2
60	P3SX070098000	SEAL SLEEVE, NEW DESIGN - ZP3 45/60/130	2



Double Mechanical Seal Kit

Optional Items Shown in ITALICS

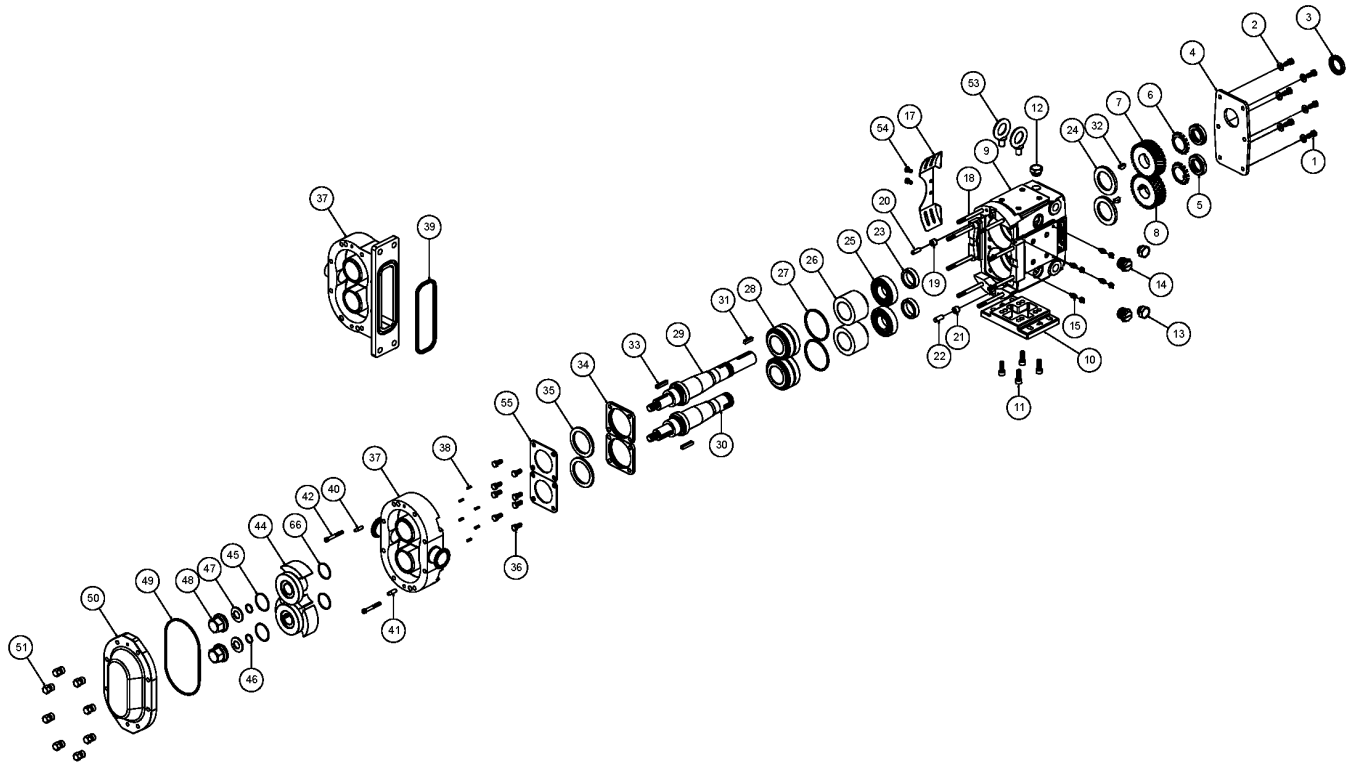
Ref #	Component Item No.	Description	Qty Per
1	P3GX060000-V	SEAL KIT, DBL MECH, ELASTOMERS ONLY, VITON - ZP3 45/60/64/130/134	1
	<i>P3GX060000-N</i>	<i>SEAL KIT, DBL MECH, ELASTOMERS ONLY, BUNA - ZP3 45/60/64/130/134</i>	<i>1</i>
	<i>P3GX060000-E</i>	<i>SEAL KIT, DBL MECH, ELASTOMERS ONLY, EPDM - ZP3 45/60/64/130/134</i>	<i>1</i>
3	P3GS060000-V	SEAL KIT, DBL MECH, TC/SC - CE/CA, VITON - ZP3 45/60/64/130/134	1
	<i>P3GS060000-N</i>	<i>SEAL KIT, DBL MECH, TC/SC - CE/CA, BUNA - ZP3 45/60/64/130/134</i>	<i>1</i>
	<i>P3GS060000-E</i>	<i>SEAL KIT, DBL MECH, TC/SC - CE/CA, EPDM - ZP3 45/60/64/130/134</i>	<i>1</i>
5	P3GS060000-V	SEAL KIT, DBL MECH, TC/SC - SC/CA, VITON - ZP3 45/60/64/130/134	1
	<i>P3GS060000-N</i>	<i>SEAL KIT, DBL MECH, TC/SC - SC/CA, BUNA - ZP3 45/60/64/130/134</i>	<i>1</i>
	<i>P3GS060000-E</i>	<i>SEAL KIT, DBL MECH, TC/SC - SC/CA, EPDM - ZP3 45/60/64/130/134</i>	<i>1</i>
47	P2GX101693	BELLEVILLE WASHER, SS - ZP3 45/60/64/130/134	2
48	P2SX101806	ROTOR NUT - ZP3 45/60/64/130/134	2
60	P3SX070098000	SEAL SLEEVE, NEW DESIGN - ZP3 45/60/130	2



Exploded View

Optional Items Shown in ITALICS

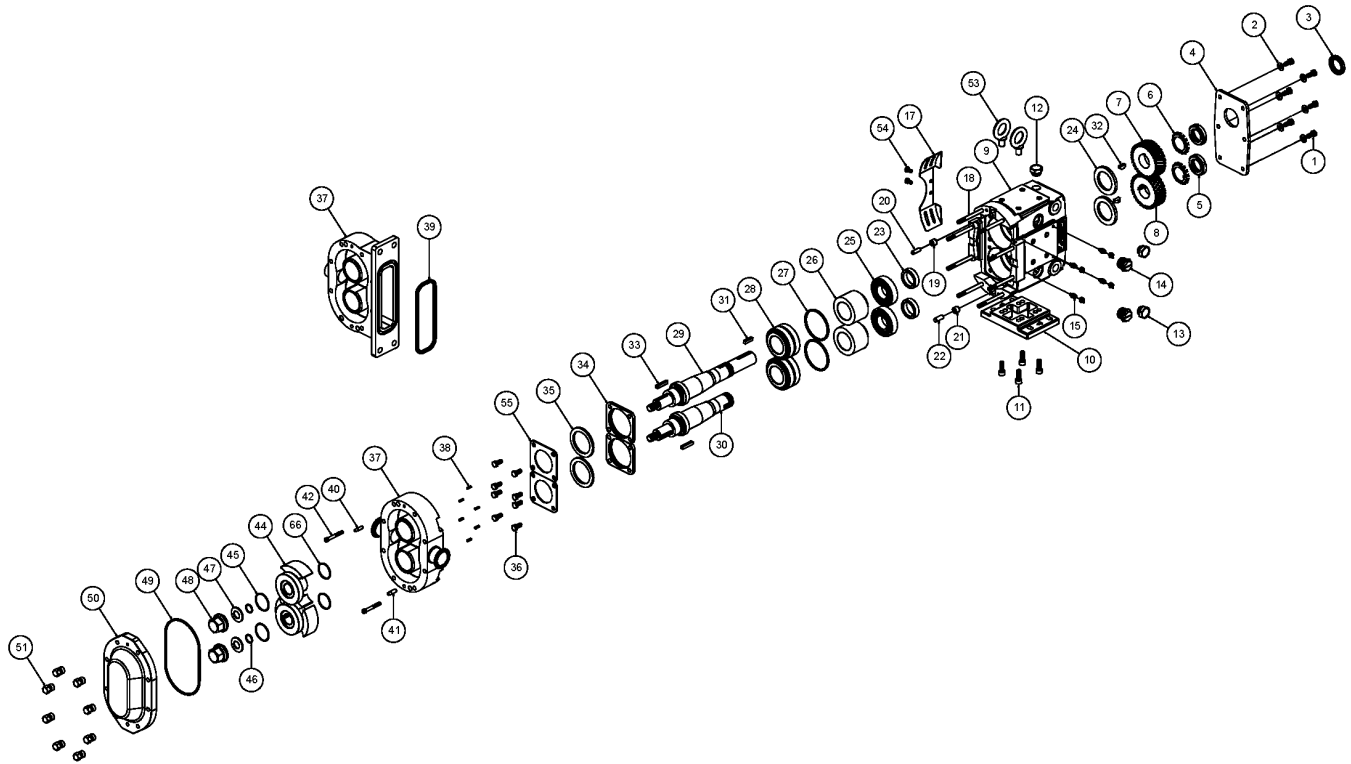
Ref #	Component Item No.	Description	Qty Per
1	P1GX30-50	GEAR CASE COVER BOLT - 3/8-16 X 3/4 HHCS (18-8 SS)	6
2	P1GX43-189	GEAR CASE COVER WASHER - 3/8 FLAT WASHER (18-8 SS)	6
3	P1GX000030012	OIL SEAL, GEAR CASE COVER - ZP3 45/60/64/130/134	1
4	P1SX070106000	GEAR CASE COVER, SS - ZP3 45/60/64/130/134	1
5	P1GXSTD236009	GEAR LOCKNUT - ZP3 45/60/64/130/134	2
6	P1GXSTD136009	GEAR LOCKWASHER - ZP3 45/60/64/130/134	2
7	P1GX060007001	GEAR DRIVE SHAFT - ZP3 45/60/64/130/134	1
8	P1GX060007002	GEAR SHORT SHAFT - ZP3 45/60/64/130/134	1
9	P1SX070005000	GEAR CASE, SS - ZP3 45/60/64/130/134	1
10	P1SX070110000	GEAR CASE BASE, SS - ZP3 45/60/64/130/134	1
11	P1GX60SHCSGCB	SHCS, G. CASE BASE, (18-8 SS) 1/2-13 X 1.5" - ZP3 45/60/64/130/134	4
12	P1GX115798	PLUG,HEX,20M X1.5,W/NBR SEAL	5
13	P1GX115799	GAUGE,OIL,LVL,INDIC,M-20X1.5	1
14	P1GX70PLUG-SS	CLEAN OUT PLUG, SS - ZP3 45/60/64/130/134	4
15	P1GXBD0092001	GREASE FITTING, THREADED 1/4"-28 TAPER, SS	8
17	P1SX070CEGUARD	GUARD,45-134,(CE),GC,SS	2
18	P2GX101722	STUD, ZP3 134	6
	P1GX0C1050000	STUD, SHORT, ZP3 134	2
	<i>P1GX35556</i>	<i>STUD, SHORT, JACKETED COVER, ZP3 134</i>	2
	<i>P1GX130011001</i>	<i>STUD, JACKETED COVER, ZP3 134</i>	6
19	P1GXCD0116000	UPPER DOWEL BUSHING - ZP3 45/60/64/130/134	1
20	P1GX124584	DOWEL PIN - ZP3 45/60/64/130/134	1
21	P1GXCD0116100	LOWER DOWEL BUSHING - ZP3 45/60/64/130/134	1
22	P1GX124586	DOWEL PIN - ZP3 45/60/64/130/134	1
23	P1GX107187	GEAR TO REAR BEARING SPACER - ZP3 45/60/64/130/134	2
24	P1GX000030011	OIL SEAL REAR - ZP3 45/60/64/130/134	2
25	P1GX107186	REAR BEARING - ZP3 45/60/64/130/134	2



Exploded View

Optional Items Shown in ITALICS

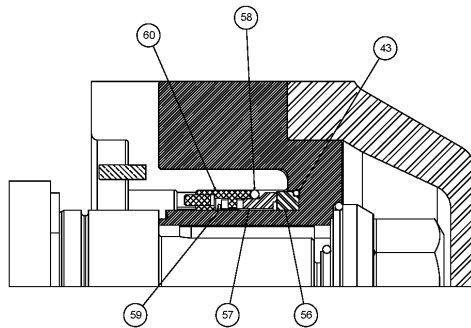
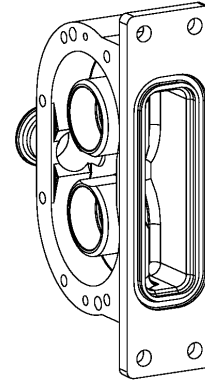
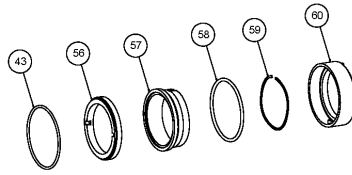
Ref #	Component Item No.	Description	Qty Per
26	P1GX060055003	BEARING SPACER - ZP3 45/60/64/130/134	2
27	P1GX117891	SHIM KIT - ZP3 45/60/64/130/134	2
28	P1GX060036000	FRONT BEARING - ZP3 45/60/64/130/134	2
29	P2SX108413	DRIVE SHAFT (17-4PH) - ZP3 130/134	1
30	P2SX108414	SHORT SHAFT (17-4PH) - ZP3 130/134	1
31	P1GX000037003	DRIVE KEY, 3/8" SQ. X 1-5/8" - ZP3 45/60/64/130/134	1
32	P1GX060037000	GEAR KEY - ZP3 45/60/64/130/134	2
33	P2SX101825	ROTOR KEY - ZP3 130/134	1
34	P1SX121828	BEARING RETAINER, NEW STYLE 3A - ZP3 45/60/64/130/134	2
35	P2GX101829	BEARING RETAINER GREASE SEAL - ZP3 45/60/64/130/134	2
36	GX5077200	BEARING RETAINER BOLT - 3/8-16 X 1-1/4 HHCS (18-8 SS)	8
37	P3BDY134001002	BODY - ZP3 134	1
	<i>P3BDY134001F02</i>	<i>BODY - ZP3 134 - FLUSHED</i>	1
38	P2GX101720	STOP PIN,SEAL - ZP3 45/60/64/130/134	6
39	V70369	O-RING, RECTANGULAR FLANGE (VITON) - ZP3 134	1
	<i>N70369</i>	<i>O-RING, RECTANGULAR FLANGE (BUNA) - ZP3 134</i>	1
	<i>E70369</i>	<i>O-RING, RECTANGULAR FLANGE (EPDM) - ZP3 134</i>	1
40	P1GX124582	DOWEL PIN - ZP3 45/60/64/130/134	1
41	P1GX124583	DOWEL PIN - ZP3 45/60/64/130/134	1
42	P1GX30-319	CAPSCRW,SH,5/16-18X3,18-8SS SCKT HD	2
44	P3RTB130010C00	ROTOR TWIN BLADE - ZP3 130/134 (STD-CIP) - ALLOY 88	2
	<i>P3RTB130010C0H</i>	<i>ROTOR TWIN BLADE - ZP3 130/134 (STD-CIP) - ALLOY 88 - HOT CLEARANCE</i>	2
	<i>P3RTB130010CHC</i>	<i>ROTOR TWIN BLADE - ZP3 130/134 (STD-CIP) - ALLOY 88 - HOT CHOCOLATE</i>	2
45	V70227	O-RING, ROTOR NUT (VITON) - ZP3 45/60/64/130/134	2
	<i>N70227</i>	<i>O-RING, ROTOR NUT (BUNA) - ZP3 45/60/64/130/134</i>	2
	<i>E70227</i>	<i>O-RING, ROTOR NUT (EPDM) - ZP3 45/60/64/130/134</i>	2
46	V70119	O-RING, RETAINER (VITON) - ZP3 45/60/64/130/134	2



Exploded View

Optional Items Shown in ITALICS

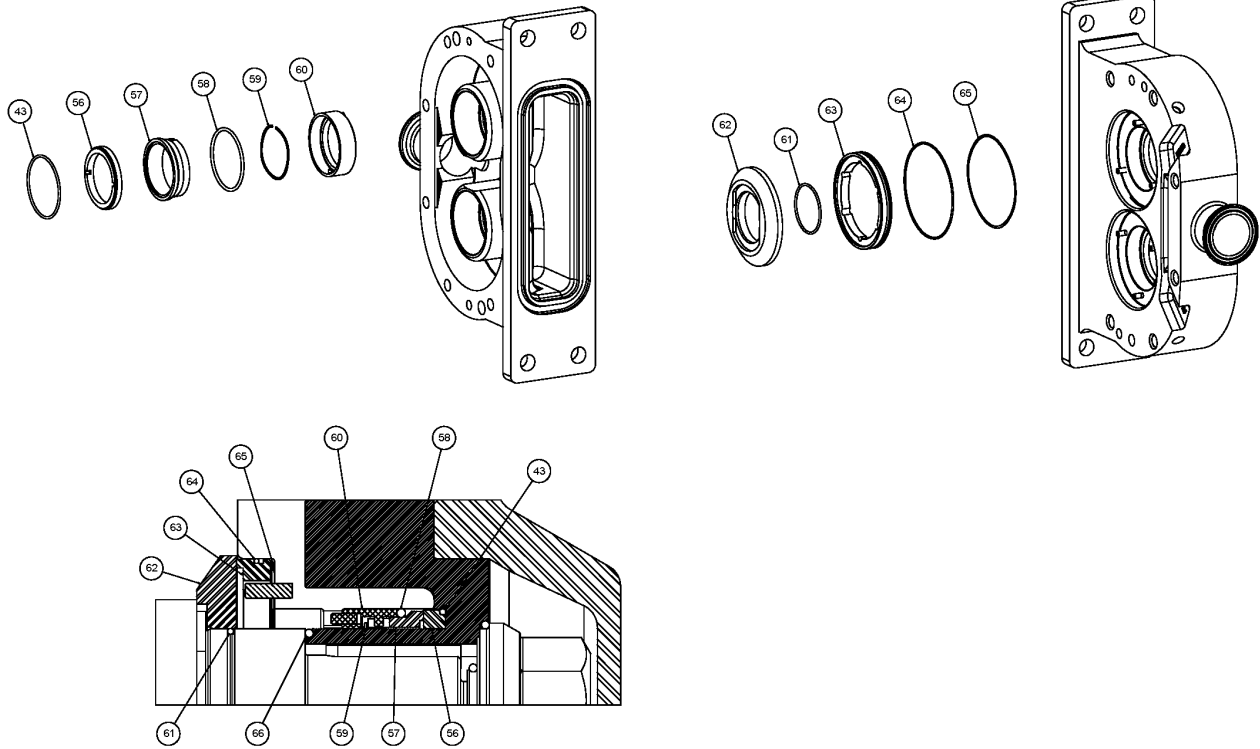
Ref #	Component Item No.	Description	Qty Per
46	<i>N70119</i>	<i>O-RING, RETAINER (BUNA) - ZP3 45/60/64/130/134</i>	2
	<i>E70119</i>	<i>O-RING, RETAINER (EPDM) - ZP3 45/60/64/130/134</i>	2
47	P2GX101693	BELLEVILLE WASHER, SS - ZP3 45/60/64/130/134	2
48	P2SX101806	ROTOR NUT - ZP3 45/60/64/130/134	2
49	V70373	O-RING, COVER (VITON) - ZP3 45/60/64/130/134	1
	<i>N70373</i>	<i>O-RING, COVER (BUNA) - ZP3 45/60/64/130/134</i>	1
	<i>E70373</i>	<i>O-RING, COVER (EPDM) - ZP3 45/60/64/130/134</i>	1
	<i>SE70373</i>	<i>O-RING, COVER (FEP ENCAPSULATED SILICONE) - ZP3 45/60/64/130/134</i>	1
50	P3CVR101848	COVER - ZP3 45/60/64/130/134	1
	<i>P3CVR107668</i>	<i>COVER, JACKETED - ZP3 45/60/64/130/134</i>	1
51	P1SX108371	COVER HEX NUT - ZP3 45/60/64/130/134	8
	<i>P1GX105852</i>	<i>WING NUT - ZP1 45/60/64/130/134</i>	8
53	P1GXEYEBOLT-SS	EYE BOLT,60-224,SS	2
54	P1GX000CENAIL	DRIVENAIL,ZP,GEAR CASE GUARDS	4
55	P2SX070SPATE	BEARING RETAINER SPLASH PLATE - ZP3 45/60/64/130/134	2
60	P3SX130098000	SEAL SLEEVE, OLD DESIGN - ZP3 134	2
66	V70224	O-RING, ROTOR HUB (VITON) - ZP3 45/60/64/130/134	2
	<i>N70224</i>	<i>O-RING, ROTOR HUB (BUNA) - ZP3 45/60/64/130/134</i>	2
	<i>E70224</i>	<i>O-RING, ROTOR HUB (EPDM) - ZP3 45/60/64/130/134</i>	2



Single Mechanical Seal

Optional Items Shown in ITALICS

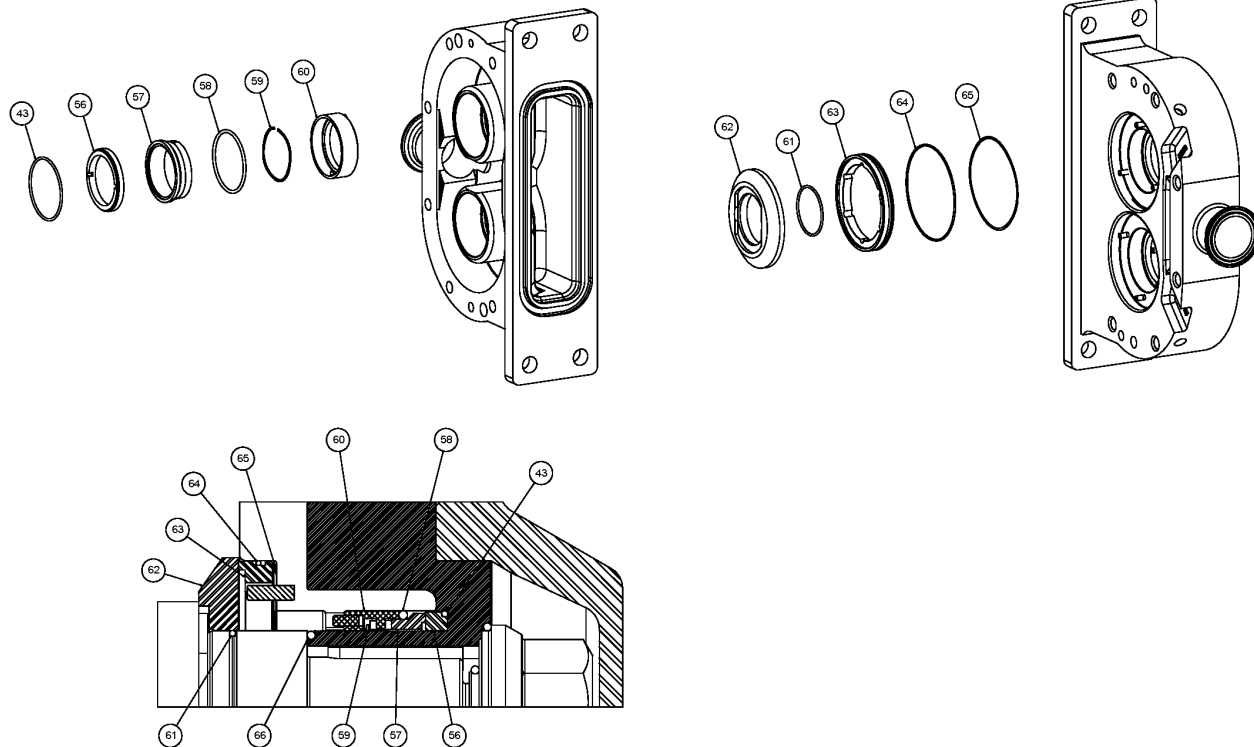
Ref #	Component Item No.	Description	Qty Per
43	V70036	O-RING, ROTOR SEAL FACE (VITON) - ZP3 45/60/64/130/134	2
	<i>N70036</i>	<i>O-RING, ROTOR SEAL FACE (BUNA) - ZP3 45/60/64/130/134</i>	<i>2</i>
	<i>E70036</i>	<i>O-RING, ROTOR SEAL FACE (EPDM) - ZP3 45/60/64/130/134</i>	<i>2</i>
56	P3GS060014009	ROTOR SEAL FACE (C) - ZP3 45/60/64/130/134	2
	<i>P3GS060014000</i>	<i>ROTOR SEAL FACE (TC) - ZP3 45/60/64/130/134</i>	<i>2</i>
57	P3GS060306000	BODY SEAL FACE (TC) - ZP3 45/60/64/130/134	2
58	V70141	O-RING, BODY SEAL FACE (VITON) - ZP3 45/60/64/130/134	2
	<i>N70141</i>	<i>O-RING, BODY SEAL FACE (BUNA) - ZP3 45/60/64/130/134</i>	<i>2</i>
	<i>E70141</i>	<i>O-RING, BODY SEAL FACE (EPDM) - ZP3 45/60/64/130/134</i>	<i>2</i>
59	P3GS060304000	SEAL WAVE SPRING - ZP3 45/60/64/130/134	2
60	P3SX130098000	SEAL SLEEVE, OLD DESIGN - ZP3 134	2



Double Mechanical Seal

Optional Items Shown in ITALICS

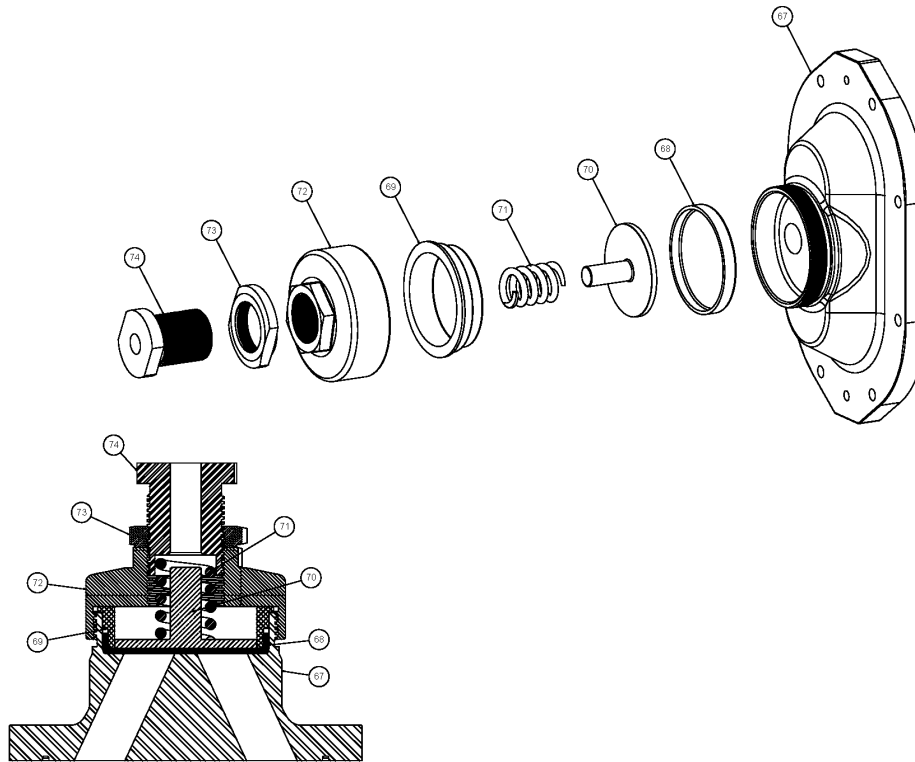
Ref #	Component Item No.	Description	Qty Per
43	V70036	O-RING, ROTOR SEAL FACE (VITON) - ZP3 45/60/64/130/134	2
	<i>N70036</i>	<i>O-RING, ROTOR SEAL FACE (BUNA) - ZP3 45/60/64/130/134</i>	2
	<i>E70036</i>	<i>O-RING, ROTOR SEAL FACE (EPDM) - ZP3 45/60/64/130/134</i>	2
44	P3RTB130010C00	ROTOR TWIN BLADE - ZP3 130/134 (STD-CIP) - ALLOY 88	2
	<i>P3RTB130010C0H</i>	<i>ROTOR TWIN BLADE - ZP3 130/134 (STD-CIP) - ALLOY 88 - HOT CLEARANCE</i>	2
	<i>P3RTB130010CHC</i>	<i>ROTOR TWIN BLADE - ZP3 130/134 (STD-CIP) - ALLOY 88 - HOT CHOCOLATE</i>	2
45	V70227	O-RING, ROTOR NUT (VITON) - ZP3 45/60/64/130/134	2
	<i>N70227</i>	<i>O-RING, ROTOR NUT (BUNA) - ZP3 45/60/64/130/134</i>	2
	<i>E70227</i>	<i>O-RING, ROTOR NUT (EPDM) - ZP3 45/60/64/130/134</i>	2
46	V70119	O-RING, RETAINER (VITON) - ZP3 45/60/64/130/134	2
	<i>N70119</i>	<i>O-RING, RETAINER (BUNA) - ZP3 45/60/64/130/134</i>	2
	<i>E70119</i>	<i>O-RING, RETAINER (EPDM) - ZP3 45/60/64/130/134</i>	2
47	P2GX101693	BELLEVILLE WASHER, SS - ZP3 45/60/64/130/134	2
48	P2SX101806	ROTOR NUT - ZP3 45/60/64/130/134	2
49	V70373	O-RING, COVER (VITON) - ZP3 45/60/64/130/134	1
	<i>N70373</i>	<i>O-RING, COVER (BUNA) - ZP3 45/60/64/130/134</i>	1
	<i>E70373</i>	<i>O-RING, COVER (EPDM) - ZP3 45/60/64/130/134</i>	1
	<i>SE70373</i>	<i>O-RING, COVER (FEP ENCAPSULATED SILICONE) - ZP3 45/60/64/130/134</i>	1
56	P3GS060014009	ROTOR SEAL FACE (C) - ZP3 45/60/64/130/134	2
	<i>P3GS060014000</i>	<i>ROTOR SEAL FACE (TC) - ZP3 45/60/64/130/134</i>	2
57	P3GS060306000	BODY SEAL FACE (TC) - ZP3 45/60/64/130/134	2
58	V70141	O-RING, BODY SEAL FACE (VITON) - ZP3 45/60/64/130/134	2
	<i>N70141</i>	<i>O-RING, BODY SEAL FACE (BUNA) - ZP3 45/60/64/130/134</i>	2
	<i>E70141</i>	<i>O-RING, BODY SEAL FACE (EPDM) - ZP3 45/60/64/130/134</i>	2
59	P3GS060304000	SEAL WAVE SPRING - ZP3 45/60/64/130/134	2
60	P3SX130098000	SEAL SLEEVE, OLD DESIGN - ZP3 134	2
61	V70133	O-RING, SHAFT (VITON) - ZP3 45/60/64/130/134	2



Double Mechanical Seal

Optional Items Shown in ITALICS

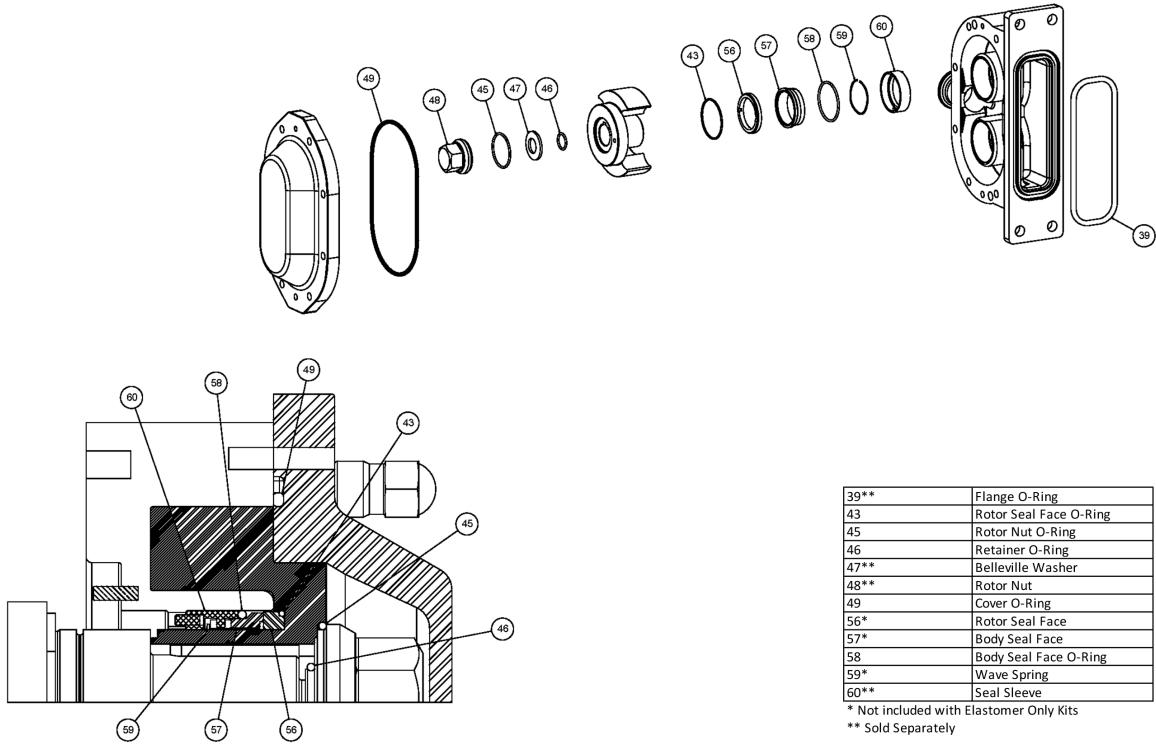
Ref #	Component Item No.	Description	Qty Per
61	<i>N70133</i>	<i>O-RING, SHAFT (BUNA) - ZP3 45/60/64/130/134</i>	2
	<i>E70133</i>	<i>O-RING, SHAFT (EPDM) - ZP3 45/60/64/130/134</i>	2
62	P2GS101673	SEAL SEAT (K) - ZP3 45/60/64/130/134	2
	<i>P2GS101674</i>	<i>SEAL SEAT (C) - ZP3 45/60/64/130/134</i>	2
63	P2GS101681	OUTER SEAL (N) - ZP3 45/60/64/130/134	2
64	V70043	O-RING, OUTER SEAL (VITON) - ZP3 45/60/64/130/134	2
	<i>N70043</i>	<i>O-RING, OUTER SEAL (BUNA) - ZP3 45/60/64/130/134</i>	2
	<i>E70043</i>	<i>O-RING, OUTER SEAL (EPDM) - ZP3 45/60/64/130/134</i>	2
65	P2GS101688	OUTER SEAL WAVE SPRING - ZP3 45/60/64/130/134	2
66	V70224	O-RING, ROTOR HUB (VITON) - ZP3 45/60/64/130/134	2
	<i>N70224</i>	<i>O-RING, ROTOR HUB (BUNA) - ZP3 45/60/64/130/134</i>	2
	<i>E70224</i>	<i>O-RING, ROTOR HUB (EPDM) - ZP3 45/60/64/130/134</i>	2



Pressure Relief Cover

Optional Items Shown in ITALICS

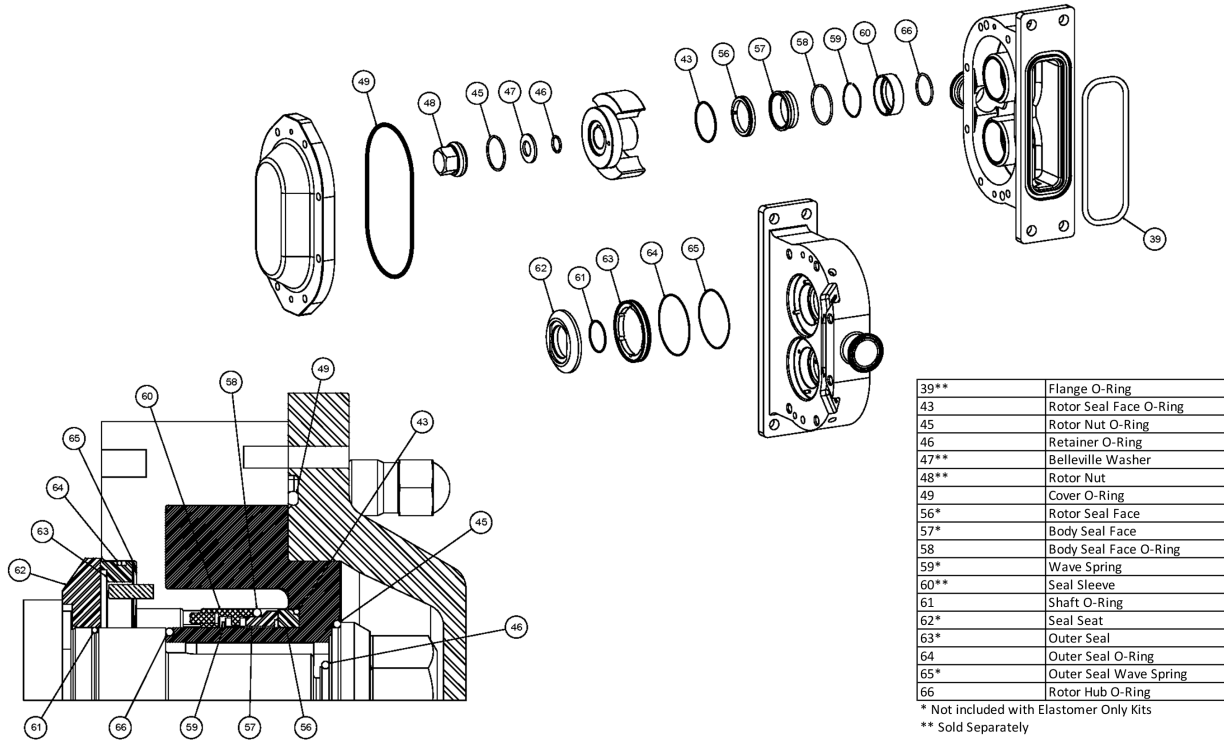
Ref #	Component Item No.	Description	Qty Per
67	P3CVR103671	VENTED FRONT COVER, ZP3 - 45/60/64/130/134	1
68	P1GXCD0078V00	RUBBER DIAPHRAGM, VITON, ZP3 - 45/60/64/130/134	1
	<i>P1GXCD0078000</i>	<i>RUBBER DIAPHRAGM, BUNA, ZP3 - 45/60/64/130/134</i>	1
	<i>P1GXCD0078E00</i>	<i>RUBBER DIAPHRAGM, EPDM, ZP3 - 45/60/64/130/134</i>	1
69	P1SXCD0077000	DIAPHRAGM BUSHING, ZP3 - 45/60/64/130/134	1
70	P1SX113397	SPRING PLUNGER, ZP3 - 45/60/64/130/134	1
71	P1SX113523	SPRING, MEDIUM, (LESS THAN 150 PSI), ZP3 - 45/60/64/130/134	1
	<i>P1SX113400</i>	<i>SPRING, HIGH, (MORE THAN 150 PSI), ZP3 - 45/60/64/130/134</i>	1
72	P1SX113398	COVER NUT, ZP3 - 45/60/64/130/134	1
73	P1SXGD0074000	LOCKNUT, ZP3 - 45/60/64/130/134/180/184/220/224	1
74	P1SX113657	ADJUSTING SCREW, ZP3 - 45/60/64/130/134/180/184/220/224	1



Single Mechanical Seal Kit

Optional Items Shown in ITALICS

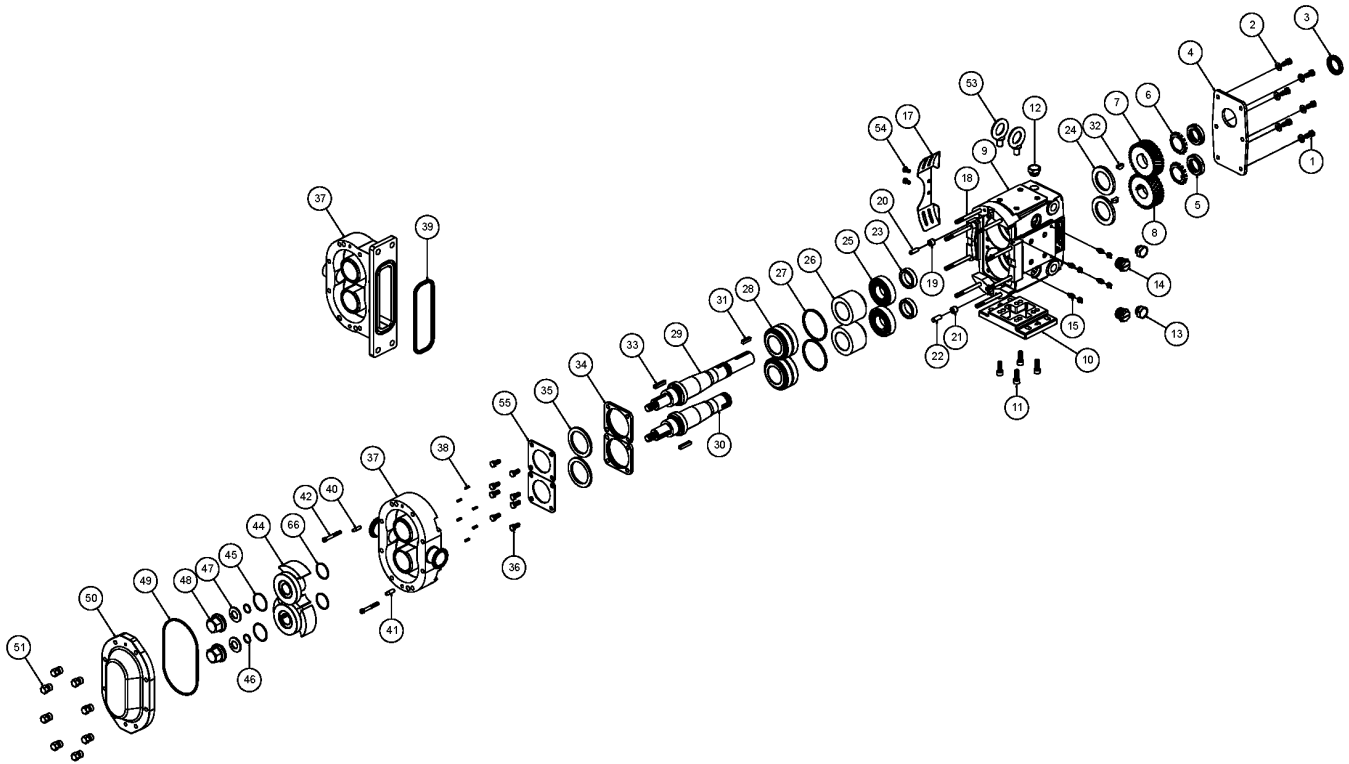
Ref #	Component Item No.	Description	Qty Per
1	P3GX060000-V	SEAL KIT, SGL MECH, ELASTOMERS ONLY, VITON - ZP3 45/60/64/130/134	1
	<i>P3GX060000-N</i>	<i>SEAL KIT, SGL MECH, ELASTOMERS ONLY, BUNA - ZP3 45/60/64/130/134</i>	<i>1</i>
	<i>P3GX060000-E</i>	<i>SEAL KIT, SGL MECH, ELASTOMERS ONLY, EPDM - ZP3 45/60/64/130/134</i>	<i>1</i>
3	P3GS060000-V	SEAL KIT, SGL MECH, TC/SC, VITON - ZP3 45/60/64/130/134	1
	<i>P3GS060000-N</i>	<i>SEAL KIT, SGL MECH, TC/SC, BUNA - ZP3 45/60/64/130/134</i>	<i>1</i>
	<i>P3GS060000-E</i>	<i>SEAL KIT, SGL MECH, TC/SC, EPDM - ZP3 45/60/64/130/134</i>	<i>1</i>
47	P2GX101693	BELLEVILLE WASHER, SS - ZP3 45/60/64/130/134	2
48	P2SX101806	ROTOR NUT - ZP3 45/60/64/130/134	2
60	P3SX130098000	SEAL SLEEVE, OLD DESIGN - ZP3 134	2



Double Mechanical Seal Kit

Optional Items Shown in ITALICS

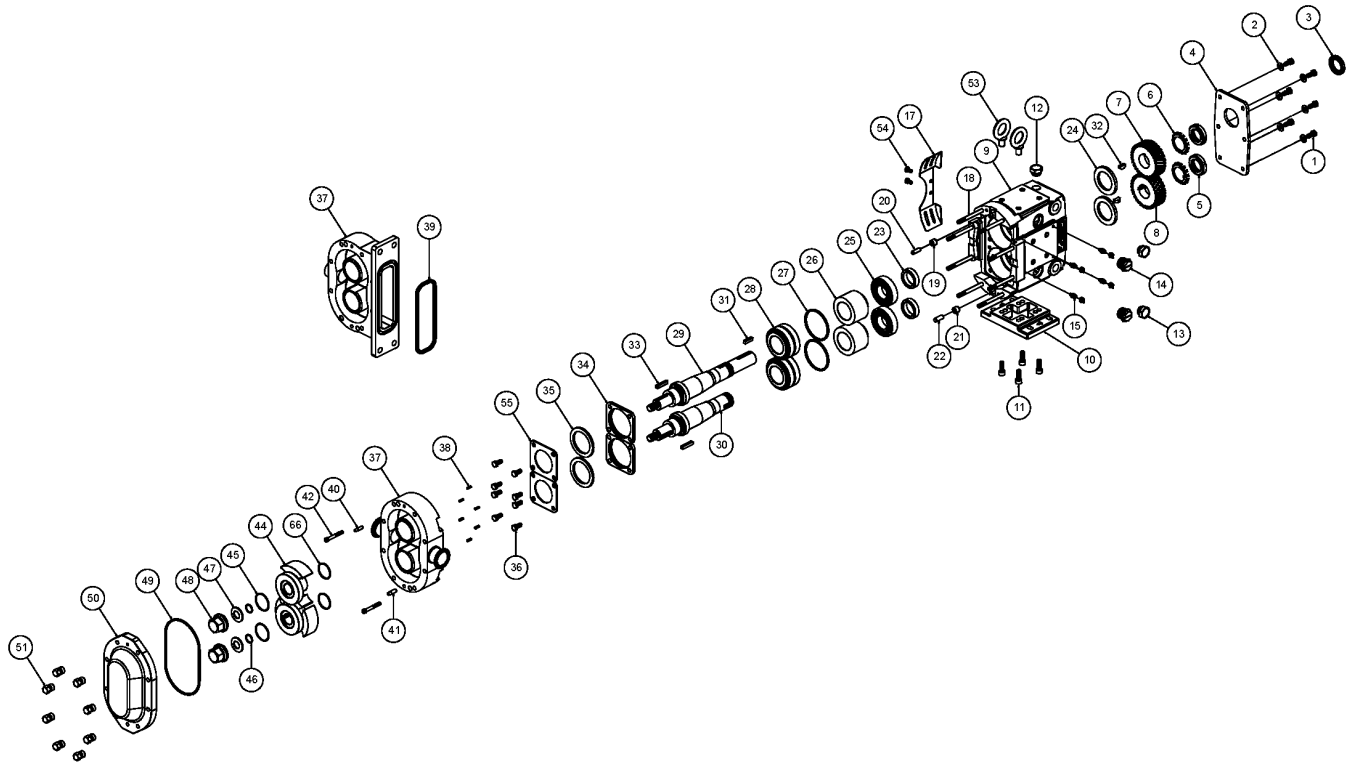
Ref #	Component Item No.	Description	Qty Per
1	P3GX060000-V	SEAL KIT, DBL MECH, ELASTOMERS ONLY, VITON - ZP3 45/60/64/130/134	1
	<i>P3GX060000-N</i>	<i>SEAL KIT, DBL MECH, ELASTOMERS ONLY, BUNA - ZP3 45/60/64/130/134</i>	<i>1</i>
	<i>P3GX060000-E</i>	<i>SEAL KIT, DBL MECH, ELASTOMERS ONLY, EPDM - ZP3 45/60/64/130/134</i>	<i>1</i>
3	P3GS060000-V	SEAL KIT, DBL MECH, TC/SC - CE/CA, VITON - ZP3 45/60/64/130/134	1
	<i>P3GS060000-N</i>	<i>SEAL KIT, DBL MECH, TC/SC - CE/CA, BUNA - ZP3 45/60/64/130/134</i>	<i>1</i>
	<i>P3GS060000-E</i>	<i>SEAL KIT, DBL MECH, TC/SC - CE/CA, EPDM - ZP3 45/60/64/130/134</i>	<i>1</i>
5	P3GS060000-V	SEAL KIT, DBL MECH, TC/SC - SC/CA, VITON - ZP3 45/60/64/130/134	1
	<i>P3GS060000-N</i>	<i>SEAL KIT, DBL MECH, TC/SC - SC/CA, BUNA - ZP3 45/60/64/130/134</i>	<i>1</i>
	<i>P3GS060000-E</i>	<i>SEAL KIT, DBL MECH, TC/SC - SC/CA, EPDM - ZP3 45/60/64/130/134</i>	<i>1</i>
47	P2GX101693	BELLEVILLE WASHER, SS - ZP3 45/60/64/130/134	2
48	P2SX101806	ROTOR NUT - ZP3 45/60/64/130/134	2
60	P3SX130098000	SEAL SLEEVE, OLD DESIGN - ZP3 134	2



Exploded View

Optional Items Shown in ITALICS

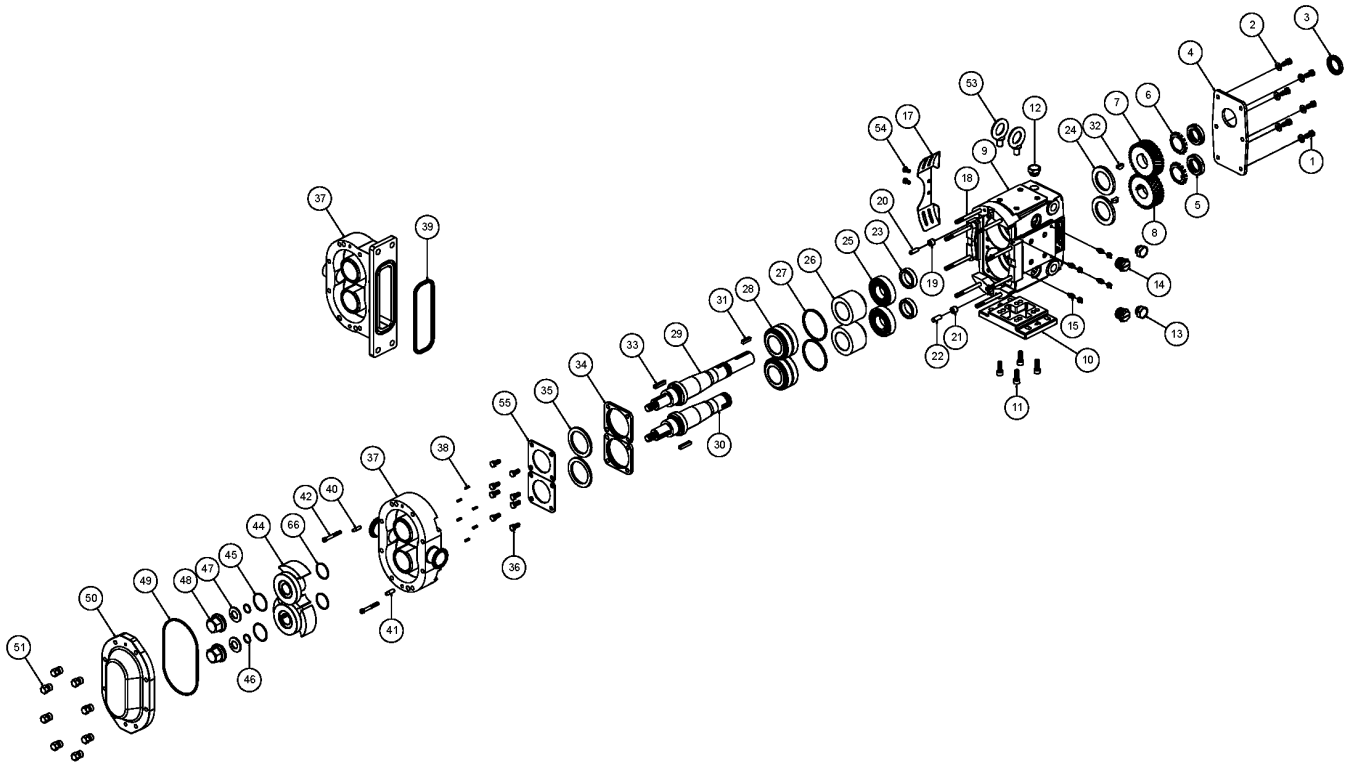
Ref #	Component Item No.	Description	Qty Per
1	P1GX30-50	GEAR CASE COVER BOLT - 3/8-16 X 3/4 HHCS (18-8 SS)	8
2	P1GX43-189	GEAR CASE COVER WASHER - 3/8 FLAT WASHER (18-8 SS)	8
3	P1GXSTD030006	OIL SEAL, GEAR CASE COVER - ZP3 180/184/220/224	1
4	P1SX230106000	GEAR CASE COVER, SS - ZP3 180/184/220/224	1
5	P1GXSTD236011	GEAR LOCKNUT - ZP3 180/184/220/224	2
6	P1GXSTD136011	GEAR LOCKWASHER - ZP3 180/184/220/224	2
7	P1GX220007001	GEAR DRIVE SHAFT - ZP3 180/184/220/224	1
8	P1GX220007002	GEAR SHORT SHAFT - ZP3 180/184/220/224	1
9	P1SX230005000	GEAR CASE, SS - ZP3 180/184/220/224	1
10	P1SX230110000	GEAR CASE BASE, SS - ZP3 180/184/220/224	1
11	P1GX30-44	SHCS, G. CASE BASE, (18-8 SS) 1/2-13 X 2" - ZP3 180/184/220/224	4
12	P1GX115798	PLUG,HEX,20M X1.5,W/NBR SEAL	5
13	P1GX115799	GAUGE,OIL,LVL,INDIC,M-20X1.5	1
14	P1GX70PLUG-SS	CLEAN OUT PLUG, SS - ZP3 180/184/220/224	4
15	P1GXBD0092001	GREASE FITTING, THREADED 1/4"-28 TAPER, SS	8
17	P1SX230CEGUARD	GUARD,184/224,(CE),GC,SS	2
18	P1GX107243	STUD, ZP3 180	8
19	<i>P1GXCD0116000</i>	<i>UPPER DOWEL BUSHING - ZP3 180/184/220/224</i>	<i>1</i>
20	P1GX124584	DOWEL PIN - ZP3 180/184/220/224	1
21	P1GXCD0116100	<i>LOWER DOWEL BUSHING - ZP3 180/184/220/224</i>	<i>1</i>
22	P1GX124586	DOWEL PIN - ZP3 180/184/220/224	1
23	P1GX40878	GEAR TO REAR BEARING SPACER - ZP3 180/184/220/224	2
24	P1GXSTD119002	OIL SEAL REAR - ZP3 220/223/224	2
25	P1GX200035000	REAR BEARING - ZP3 180/184/220/224	2
26	P1GX40752	BEARING SPACER - ZP3 180/184/220/224	2
27	P1GX117892	SHIM KIT - ZP3 180/184/220/224	2
28	P1GX200036000	FRONT BEARING - ZP3 180/184/220/224	2



Exploded View

Optional Items Shown in ITALICS

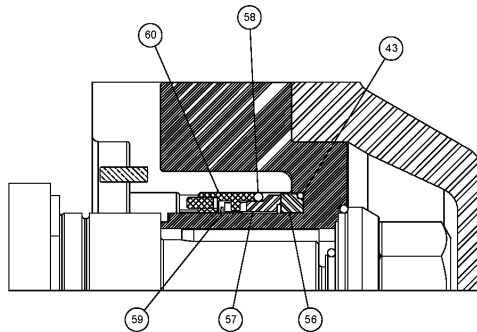
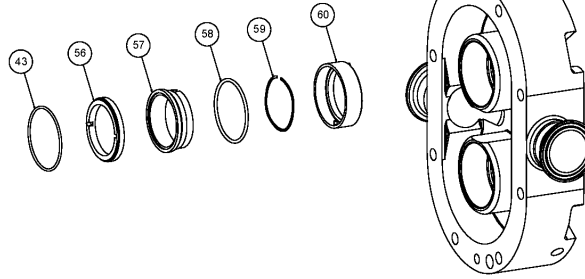
Ref #	Component Item No.	Description	Qty Per
29	P2SX110023	DRIVE SHAFT (17-4PH) - ZP3 180/184	1
30	P2SX110024	SHORT SHAFT (17-4PH) - ZP3 180/184	1
31	P1GX000037004	DRIVE KEY, 1/2" SQ. X 1-5/8" - ZP3 180/184/220/224	1
32	P1GX200037000	GEAR KEY - ZP3 180/184/220/224	2
33	P2SX101828	ROTOR KEY - ZP3 180/184	2
34	P1SX121829	BEARING RETAINER, NEW STYLE 3A - ZP3 180/184/220/224	2
35	P1GXSTD030002	GREASE SEAL FRONT BEARING RET. - ZP3 180/184/220/224	2
36	GX5077200	BEARING RETAINER BOLT - 3/8-16 X 1-1/4 HHCS (18-8 SS)	8
37	P3BDY180001002	BODY - ZP3 180	1
	<i>P3BDY180001F02</i>	<i>BODY - ZP3 180 - FLUSHED</i>	1
38	P2GX101720	STOP PIN, SEAL	6
40	P1GX124586	DOWEL PIN - ZP3 180/184/220/224	1
41	P1GX124584	DOWEL PIN - ZP3 180/184/220/224	1
42	P1GX130RETSCREW	BODY RETAINING SCREW, 3/8-16 X 4, 18-8SS - ZP3 180/184	2
	<i>W</i>		
44	P3RTB180010C00	ROTOR TWIN BLADE - ZP3 180/184 (STD-CIP) - ALLOY 88	2
	<i>P3RTB180010C0H</i>	<i>ROTOR TWIN BLADE - ZP3 180/184 (STD-CIP) - ALLOY 88 - HOT CLEARANCE</i>	2
45	V70235	O-RING, ROTOR NUT (VITON) - ZP3 180/184/220/224	2
	<i>N70235</i>	<i>O-RING, ROTOR NUT (BUNA) - ZP3 180/184/220/224</i>	2
	<i>E70235</i>	<i>O-RING, ROTOR NUT (EPDM) - ZP3 180/184/220/224</i>	2
46	V70122	O-RING, RETAINER (VITON) - ZP3 180/184/220/224	2
	<i>N70122</i>	<i>O-RING, RETAINER (BUNA) - ZP3 180/184/220/224</i>	2
	<i>E70122</i>	<i>O-RING, RETAINER (EPDM) - ZP3 180/184/220/224</i>	2
47	P2GX101694	BELLEVILLE WASHER, SS - ZP3 180/184/220/224	2
48	P2SX101807	ROTOR NUT - ZP3 180/184/220/224	2
49	V70381	O-RING, COVER (VITON) - ZP3 180/184/220/224	1
	<i>N70381</i>	<i>O-RING, COVER (BUNA) - ZP3 180/184/220/224</i>	1



Exploded View

Optional Items Shown in ITALICS

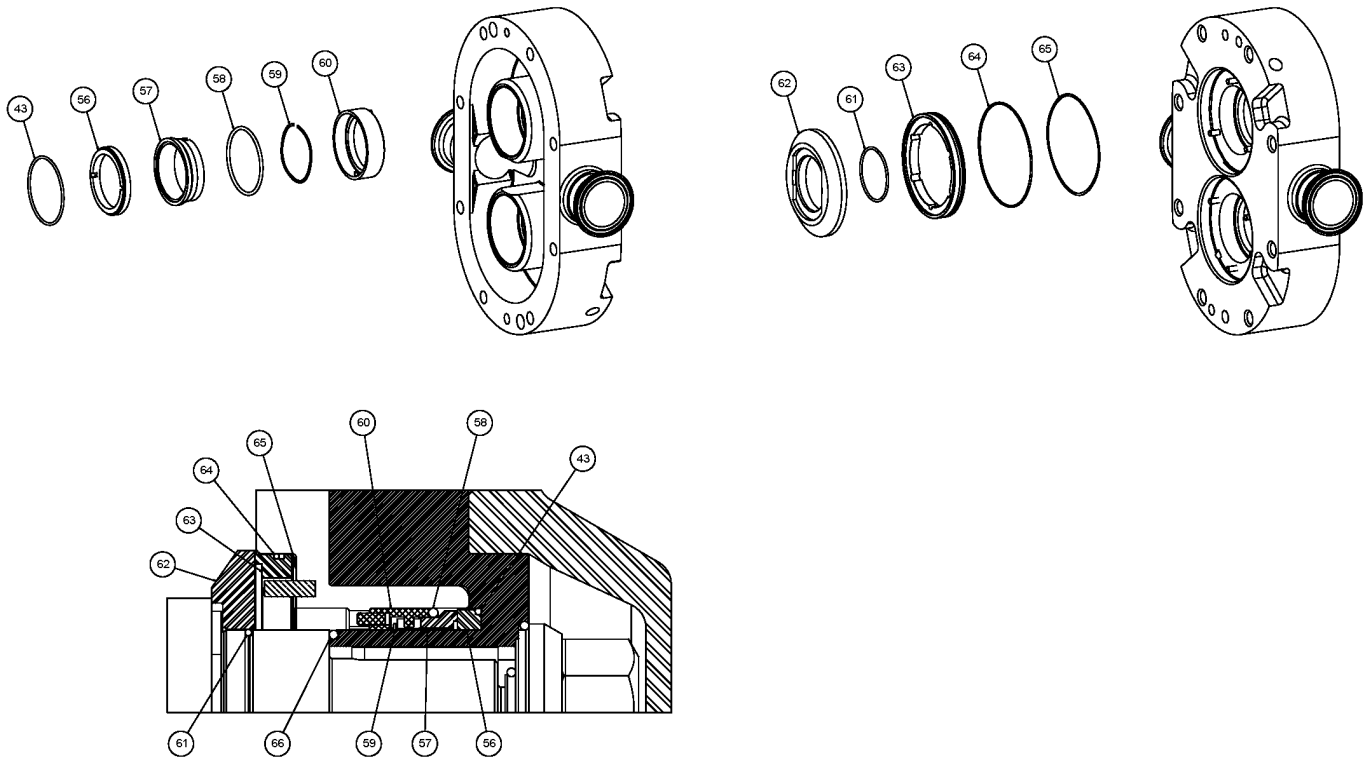
Ref #	Component Item No.	Description	Qty Per
49	<i>E70381</i>	<i>O-RING, COVER (EPDM) - ZP3 180/184/220/224</i>	1
	<i>SE70381</i>	<i>O-RING, COVER (FEP ENCAPSULATED SILICONE) - ZP3 180/184/220/224</i>	1
50	P3CVR101851	COVER - ZP3 180/184/220/224	1
	<i>P3CVR107670</i>	<i>COVER, JACKETED - ZP3 180/184/220/224</i>	1
51	P1SX108372	COVER HEX NUT - ZP3 180/184/220/224	8
	<i>P1GX105853</i>	<i>WING NUT - ZP1 180/184/220/224</i>	8
53	P1GXEYEBOLT-SS	EYE BOLT,60-224,SS	2
54	P1GX000CENAIL	DRIVENAIL,ZP,GEAR CASE GUARDS	4
55	P1SX230SPLATE	BEARING RETAINER SPLASH PLATE - ZP3 180/184/220/224	2
60	P3SX230098000	SEAL SLEEVE, NEW DESIGN - ZP3 180/184/220	2
66	V70230	O-RING, ROTOR HUB (VITON) - ZP3 180/184/220/224	2
	<i>N70230</i>	<i>O-RING, ROTOR HUB (BUNA) - ZP3 180/184/220/224</i>	2
	<i>E70230</i>	<i>O-RING, ROTOR HUB (EPDM) - ZP3 180/184/220/224</i>	2



Single Mechanical Seal

Optional Items Shown in ITALICS

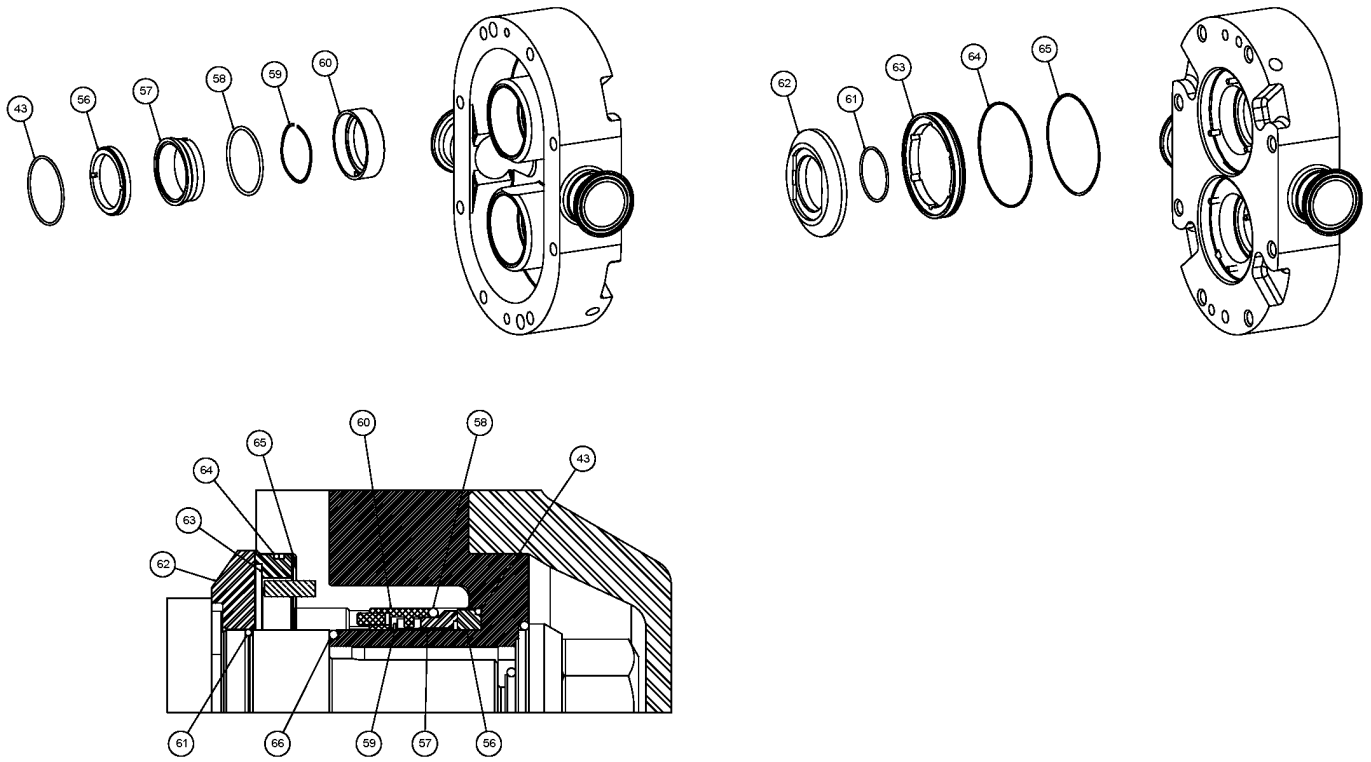
Ref #	Component Item No.	Description	Qty Per
43	V70041	O-RING, ROTOR SEAL FACE (VITON) ZP3 180/184/220/224	2
	<i>N70041</i>	<i>O-RING, ROTOR SEAL FACE (BUNA) ZP3 180/184/220/224</i>	<i>2</i>
	<i>E70041</i>	<i>O-RING, ROTOR SEAL FACE (EPDM) ZP3 180/184/220/224</i>	<i>2</i>
56	P3GS220014009	ROTOR SEAL FACE (C) - ZP3 180/184/220/224	2
	<i>P3GS220014000</i>	<i>ROTOR SEAL FACE (TC) - ZP3 180/184/220/224</i>	<i>2</i>
57	P3GS220306000	BODY SEAL FACE (TC) - ZP3 180/184/220/224	2
58	V70234	O-RING, BODY SEAL FACE (VITON) - ZP3 180/184/220/224	2
	<i>N70234</i>	<i>O-RING, BODY SEAL FACE (BUNA) - ZP3 180/184/220/224</i>	<i>2</i>
	<i>E70234</i>	<i>O-RING, BODY SEAL FACE (EPDM) - ZP3 180/184/220/224</i>	<i>2</i>
59	P3GS220304000	SEAL WAVE SPRING - ZP3 180/184/220/224	2
60	P3SX230098000	SEAL SLEEVE, NEW DESIGN - ZP3 180/184/220	2



Double Mechanical Seal

Optional Items Shown in ITALICS

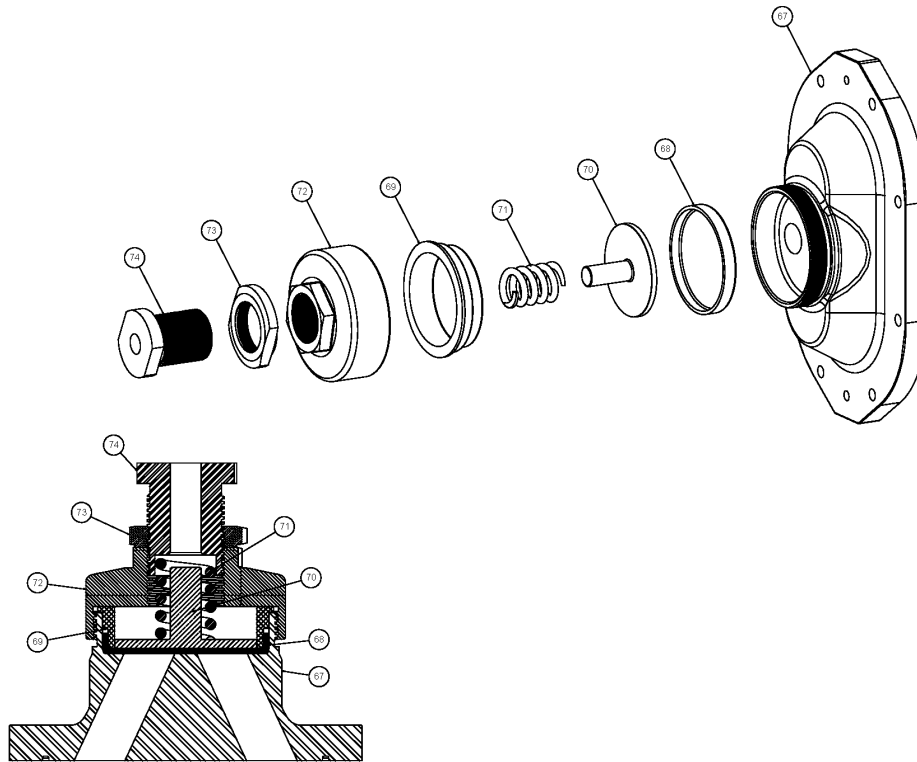
Ref #	Component Item No.	Description	Qty Per
43	V70041	O-RING, ROTOR SEAL FACE (VITON) ZP3 180/184/220/224	2
	<i>N70041</i>	<i>O-RING, ROTOR SEAL FACE (BUNA) ZP3 180/184/220/224</i>	2
	<i>E70041</i>	<i>O-RING, ROTOR SEAL FACE (EPDM) ZP3 180/184/220/224</i>	2
44	P3RTB180010C00	ROTOR TWIN BLADE - ZP3 180/184 (STD-CIP) - ALLOY 88	2
	<i>P3RTB180010C0H</i>	<i>ROTOR TWIN BLADE - ZP3 180/184 (STD-CIP) - ALLOY 88 - HOT CLEARANCE</i>	2
45	V70235	O-RING, ROTOR NUT (VITON) - ZP3 180/184/220/224	2
	<i>N70235</i>	<i>O-RING, ROTOR NUT (BUNA) - ZP3 180/184/220/224</i>	2
	<i>E70235</i>	<i>O-RING, ROTOR NUT (EPDM) - ZP3 180/184/220/224</i>	2
46	V70122	O-RING, RETAINER (VITON) - ZP3 180/184/220/224	2
	<i>N70122</i>	<i>O-RING, RETAINER (BUNA) - ZP3 180/184/220/224</i>	2
	<i>E70122</i>	<i>O-RING, RETAINER (EPDM) - ZP3 180/184/220/224</i>	2
47	P2GX101694	BELLEVILLE WASHER, SS - ZP3 180/184/220/224	2
48	P2SX101807	ROTOR NUT - ZP3 180/184/220/224	2
49	V70381	O-RING, COVER (VITON) - ZP3 180/184/220/224	1
	<i>N70381</i>	<i>O-RING, COVER (BUNA) - ZP3 180/184/220/224</i>	1
	<i>E70381</i>	<i>O-RING, COVER (EPDM) - ZP3 180/184/220/224</i>	1
	<i>SE70381</i>	<i>O-RING, COVER (FEP ENCAPSULATED SILICONE) - ZP3 180/184/220/224</i>	1
56	P3GS220014009	ROTOR SEAL FACE (C) - ZP3 180/184/220/224	2
	<i>P3GS220014000</i>	<i>ROTOR SEAL FACE (TC) - ZP3 180/184/220/224</i>	2
57	P3GS220306000	BODY SEAL FACE (TC) - ZP3 180/184/220/224	2
58	V70234	O-RING, BODY SEAL FACE (VITON) - ZP3 180/184/220/224	2
	<i>N70234</i>	<i>O-RING, BODY SEAL FACE (BUNA) - ZP3 180/184/220/224</i>	2
	<i>E70234</i>	<i>O-RING, BODY SEAL FACE (EPDM) - ZP3 180/184/220/224</i>	2
59	P3GS220304000	SEAL WAVE SPRING - ZP3 180/184/220/224	2
60	P3SX230098000	SEAL SLEEVE, NEW DESIGN - ZP3 180/184/220	2
66	V70230	O-RING, ROTOR HUB (VITON) - ZP3 180/184/220/224	2
	<i>N70230</i>	<i>O-RING, ROTOR HUB (BUNA) - ZP3 180/184/220/224</i>	2



Double Mechanical Seal

Optional Items Shown in ITALICS

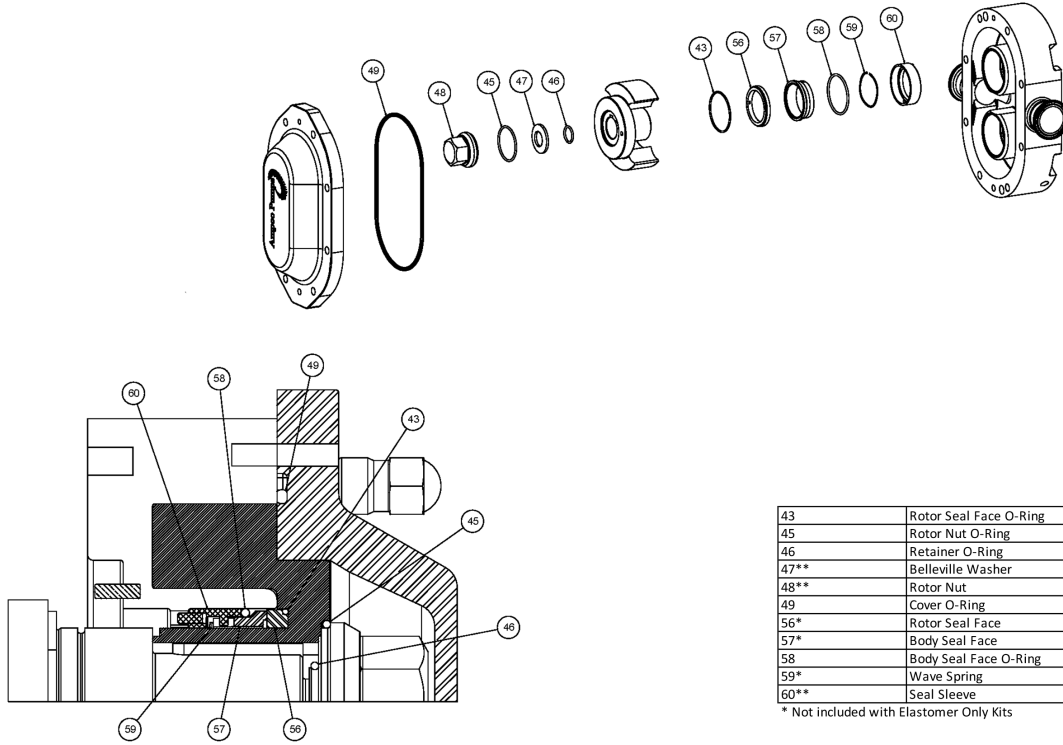
Ref #	Component Item No.	Description	Qty Per
66	<i>E70230</i>	<i>O-RING, ROTOR HUB (EPDM) - ZP3 180/184/220/224</i>	2



Pressure Relief Cover

Optional Items Shown in ITALICS

Ref #	Component Item No.	Description	Qty Per
67	P3CVR103672	VENTED FRONT COVER, ZP3 - 180/184/220/224	1
68	P1GXGD0078V00	RUBBER DIAPHRAGM, VITON, ZP1 & ZP2 & ZP3 -180/184/220/224	1
	<i>P1GXGD0078000</i>	<i>RUBBER DIAPHRAGM, BUNA, ZP1 & ZP2 & ZP3 - 180/184/220/224</i>	1
69	P1SXGD0077000	DIAPHRAGM BUSHING, ZP1 & ZP2 & ZP3 - 180/184/220/224	1
70	P1SXGD0073000	SPRING PLUNGER, ZP1 & ZP2 & ZP3 - 180/184/220/224	1
71	P1SX113400	SPRING, MEDIUM, (LESS THAN 150 PSI), ZP1 & ZP2 & ZP3 - 180/184/220/224	1
	<i>P1SX113524</i>	<i>SPRING, HIGH, (MORE THAN 150 PSI), ZP1 & ZP2 & ZP3 - 180/184/220/224</i>	1
72	P1SXGD0075000	COVER NUT, ZP1 & ZP2 & ZP3 - 180/184/220/224	1
73	P1SXGD0074000	LOCKNUT, ZP1 & ZP2 & ZP3 - 60/64/130/134/180/184/220/224	1
74	P1SX113657	ADJUSTING SCREW, ZP1 & ZP2 & ZP3 - 60/64/130/134/180/184/220/224	1



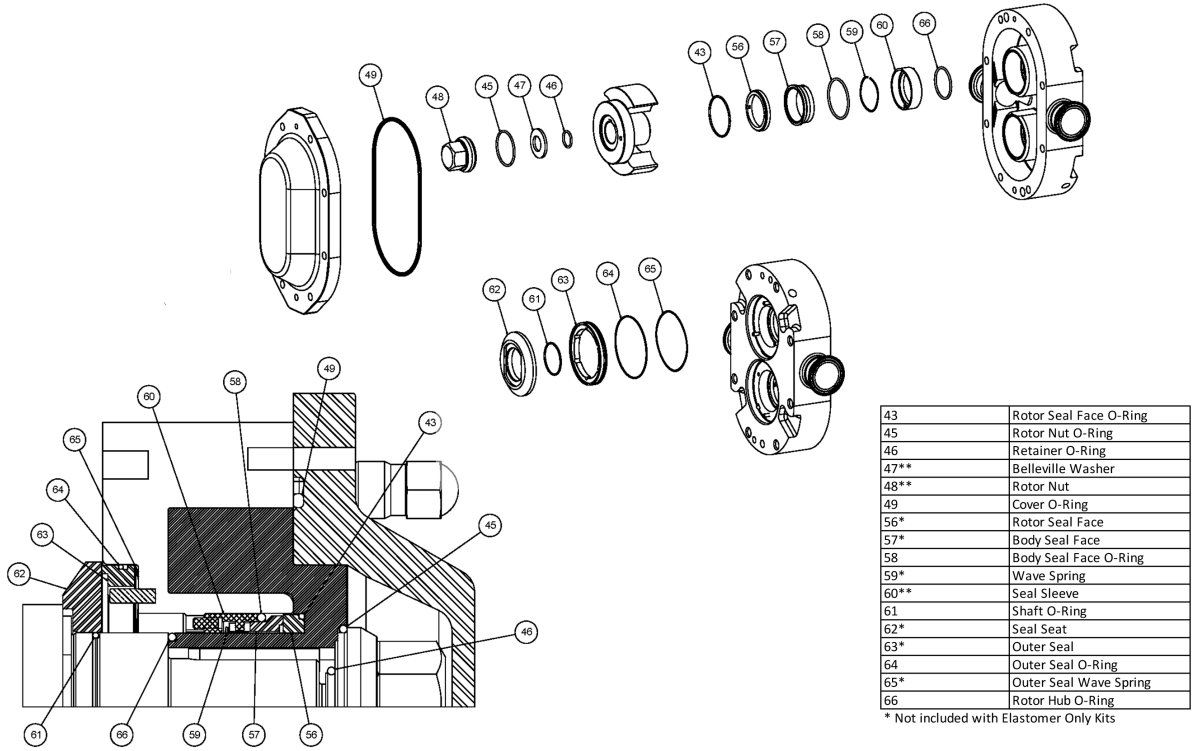
43	Rotor Seal Face O-Ring
45	Rotor Nut O-Ring
46	Retainer O-Ring
47**	Belleville Washer
48**	Rotor Nut
49	Cover O-Ring
56*	Rotor Seal Face
57*	Body Seal Face
58	Body Seal Face O-Ring
59*	Wave Spring
60**	Seal Sleeve

* Not included with Elastomer Only Kits

Single Mechanical Seal Kit

Optional Items Shown in ITALICS

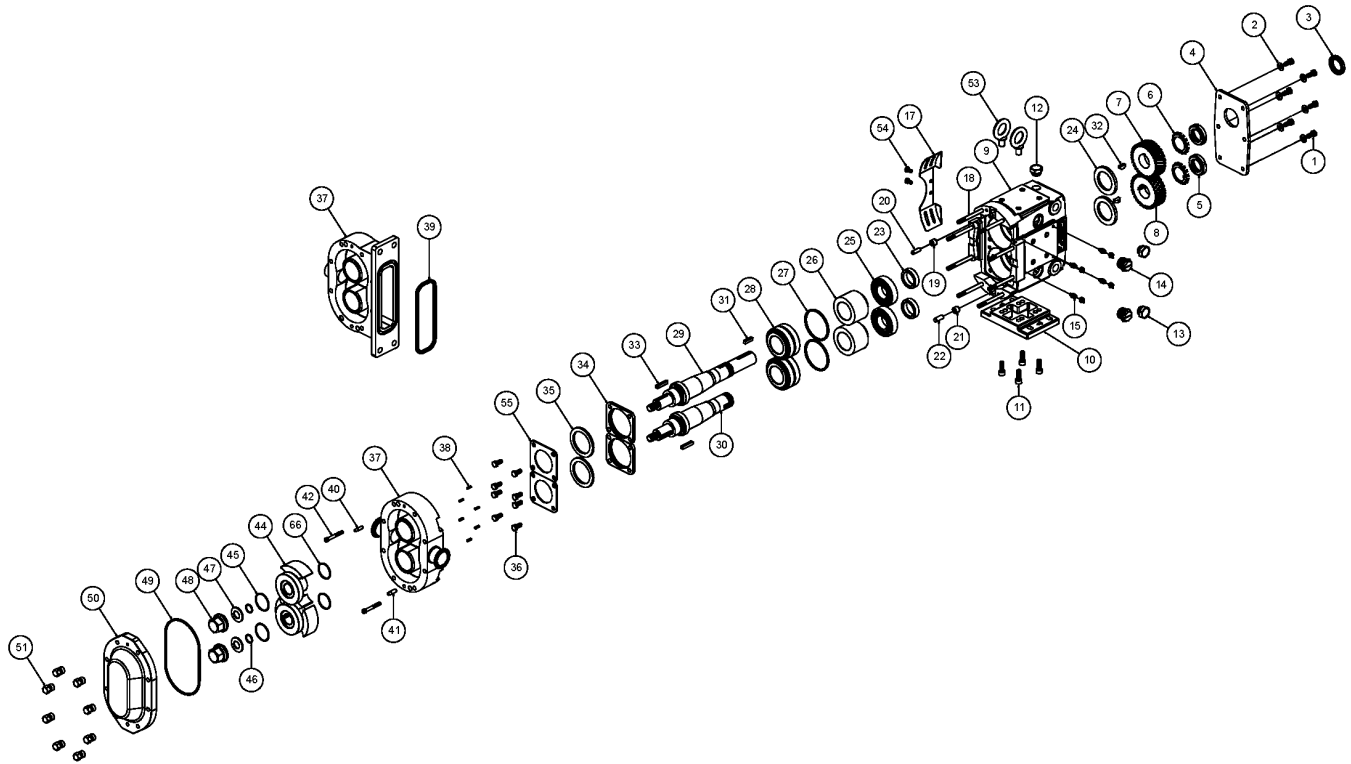
Ref #	Component Item No.	Description	Qty Per
1	P3GX220000-V	SEAL KIT, SGL MECH, ELASTOMERS ONLY, VITON - ZP3 180/184/220/224	1
	<i>P3GX220000-N</i>	<i>SEAL KIT, SGL MECH, ELASTOMERS ONLY, BUNA - ZP3 180/184/220/224</i>	<i>1</i>
	<i>P3GX220000-E</i>	<i>SEAL KIT, SGL MECH, ELASTOMERS ONLY, EPDM - ZP3 180/184/220/224</i>	<i>1</i>
3	P3GS220000-V	SEAL KIT, SGL MECH, TC/SC, VITON - ZP3 180/184/220/224	1
	<i>P3GS220000-N</i>	<i>SEAL KIT, SGL MECH, TC/SC, BUNA - ZP3 180/184/220/224</i>	<i>1</i>
	<i>P3GS220000-E</i>	<i>SEAL KIT, SGL MECH, TC/SC, EPDM - ZP3 180/184/220/224</i>	<i>1</i>
47	P2GX101694	BELLEVILLE WASHER, SS - ZP3 180/184/220/224	2
48	P2SX101807	ROTOR NUT - ZP3 180/184/220/224	2
60	P3SX230098000	SEAL SLEEVE, NEW DESIGN - ZP3 180/184/220	2



Double Mechanical Seal Kit

Optional Items Shown in ITALICS

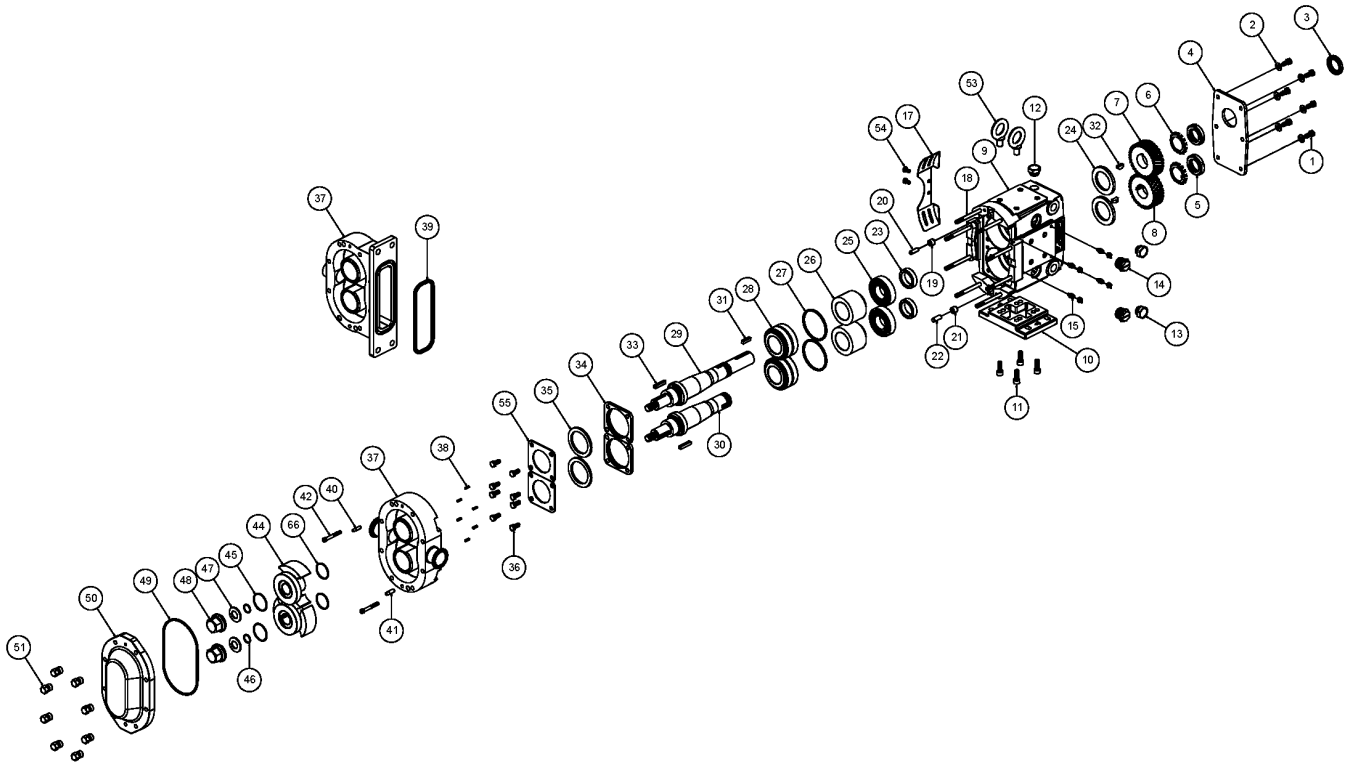
Ref #	Component Item No.	Description	Qty Per
1	P3GX220000-V	SEAL KIT, DBL MECH, ELASTOMERS ONLY, VITON - ZP3 180/184/220/224	1
	<i>P3GX220000-N</i>	<i>SEAL KIT, DBL MECH, ELASTOMERS ONLY, BUNA - ZP3 180/184/220/224</i>	<i>1</i>
	<i>P3GX220000-E</i>	<i>SEAL KIT, DBL MECH, ELASTOMERS ONLY, EPDM - ZP3 180/184/220/224</i>	<i>1</i>
3	P3GS220000-V	SEAL KIT, DBL MECH, TC/SC - CE/CA, VITON - ZP3 180/184/220/224	1
	<i>P3GS220000-N</i>	<i>SEAL KIT, DBL MECH, TC/SC - CE/CA, BUNA - ZP3 180/184/220/224</i>	<i>1</i>
	<i>P3GS220000-E</i>	<i>SEAL KIT, DBL MECH, TC/SC - CE/CA, EPDM - ZP3 180/184/220/224</i>	<i>1</i>
5	P3GS220000-V	SEAL KIT, DBL MECH, TC/SC - SC/CA, VITON - ZP3 180/184/220/224	1
	<i>P3GS220000-N</i>	<i>SEAL KIT, DBL MECH, TC/SC - SC/CA, BUNA - ZP3 180/184/220/224</i>	<i>1</i>
	<i>P3GS220000-E</i>	<i>SEAL KIT, DBL MECH, TC/SC - SC/CA, EPDM - ZP3 180/184/220/224</i>	<i>1</i>
47	P2GX101694	BELLEVILLE WASHER, SS - ZP3 180/184/220/224	2
48	P2SX101807	ROTOR NUT - ZP3 180/184/220/224	2
60	P3SX230098000	SEAL SLEEVE, NEW DESIGN - ZP3 180/184/220	2



Exploded View

Optional Items Shown in ITALICS

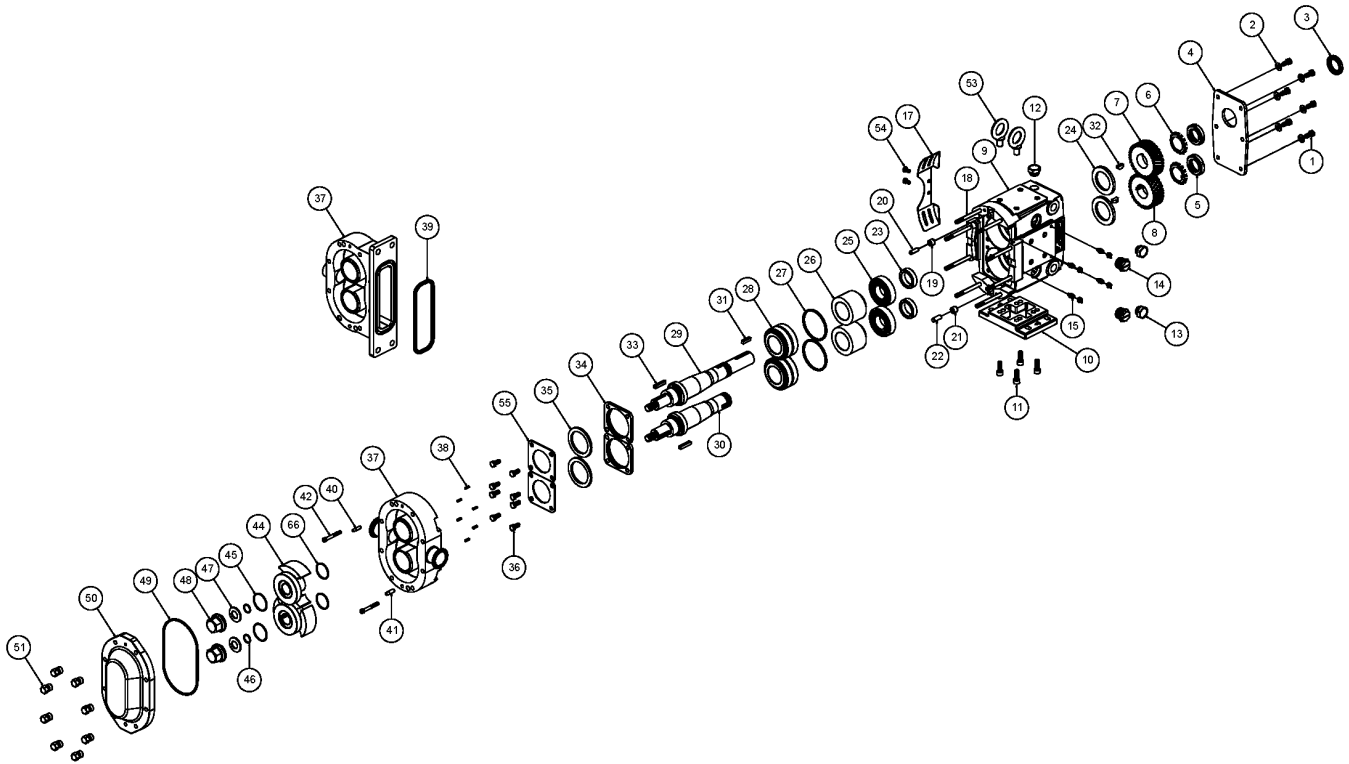
Ref #	Component Item No.	Description	Qty Per
1	P1GX30-50	GEAR CASE COVER BOLT - 3/8-16 X 3/4 HHCS (18-8 SS)	8
2	P1GX43-189	GEAR CASE COVER WASHER - 3/8 FLAT WASHER (18-8 SS)	8
3	P1GXSTD030006	OIL SEAL, GEAR CASE COVER - ZP3 180/184/220/224	1
4	P1SX230106000	GEAR CASE COVER, SS - ZP3 180/184/220/224	1
5	P1GXSTD236011	GEAR LOCKNUT - ZP3 180/184/220/224	2
6	P1GXSTD136011	GEAR LOCKWASHER - ZP3 180/184/220/224	2
7	P1GX220007001	GEAR DRIVE SHAFT - ZP3 180/184/220/224	1
8	P1GX220007002	GEAR SHORT SHAFT - ZP3 180/184/220/224	1
9	P1SX230005000	GEAR CASE, SS - ZP3 180/184/220/224	1
10	P1SX230110000	GEAR CASE BASE, SS - ZP3 180/184/220/224	1
11	P1GX30-44	SHCS, G. CASE BASE, (18-8 SS) 1/2-13 X 2" - ZP3 180/184/220/224	4
12	P1GX115798	PLUG,HEX,20M X1.5,W/NBR SEAL	5
13	P1GX115799	GAUGE,OIL,LVL,INDIC,M-20X1.5	1
14	P1GX70PLUG-SS	CLEAN OUT PLUG, SS - ZP3 180/184/220/224	4
15	P1GXBD0092001	GREASE FITTING, THREADED 1/4"-28 TAPER, SS	8
17	P1SX230CEGUARD	GUARD,184/224,(CE),GC,SS	2
18	P1GX35550	STUD, SHORT, ZP3 184	2
	P1GX107243	STUD, ZP3 184	6
	<i>P1GX36144</i>	<i>STUD, SHORT, JACKETED COVER - ZP3 184</i>	2
19	<i>P1GXCD0116000</i>	<i>UPPER DOWEL BUSHING - ZP3 180/184/220/224</i>	1
20	P1GX124584	DOWEL PIN - ZP3 180/184/220/224	1
21	P1GXCD0116100	LOWER DOWEL BUSHING - ZP3 180/184/220/224	1
22	P1GX124586	DOWEL PIN - ZP3 180/184/220/224	1
23	P1GX40878	GEAR TO REAR BEARING SPACER - ZP3 180/184/220/224	2
24	P1GXSTD119002	OIL SEAL REAR - ZP3 220/223/224	2
25	P1GX200035000	REAR BEARING - ZP3 180/184/220/224	2
26	P1GX40752	BEARING SPACER - ZP3 180/184/220/224	2



Exploded View

Optional Items Shown in ITALICS

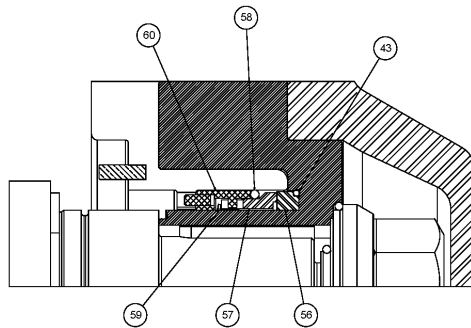
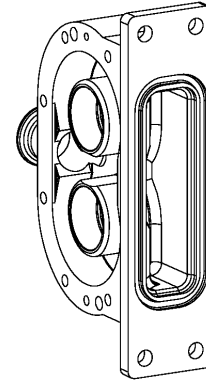
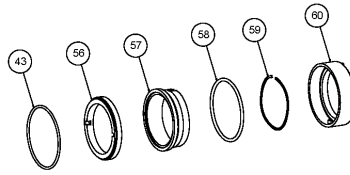
Ref #	Component Item No.	Description	Qty Per
27	P1GX117892	SHIM KIT - ZP3 180/184/220/224	2
28	P1GX200036000	FRONT BEARING - ZP3 180/184/220/224	2
29	P2SX110023	DRIVE SHAFT (17-4PH) - ZP3 180/184	1
30	P2SX110024	SHORT SHAFT (17-4PH) - ZP3 180/184	1
31	P1GX000037004	DRIVE KEY, 1/2" SQ. X 1-5/8" - ZP3 180/184/220/224	1
32	P1GX200037000	GEAR KEY - ZP3 180/184/220/224	2
33	P2SX101828	ROTOR KEY - ZP3 180/184	2
34	P1SX121829	BEARING RETAINER, NEW STYLE 3A - ZP3 180/184/220/224	2
35	P1GXSTD030002	GREASE SEAL FRONT BEARING RET. - ZP3 180/184/220/224	2
36	GX5077200	BEARING RETAINER BOLT - 3/8-16 X 1-1/4 HHCS (18-8 SS)	8
37	P3BDY184001002	BODY - ZP3 184	1
	<i>P3BDY184001F02</i>	<i>BODY - ZP3 184 - FLUSHED</i>	1
38	P2GX101720	STOP PIN, SEAL	6
39	V70374	O-RING, RECTANGULAR FLANGE (VITON) - ZP3 184	1
	<i>N70374</i>	<i>O-RING, RECTANGULAR FLANGE (BUNA) - ZP3 184</i>	1
40	P1GX124586	DOWEL PIN - ZP3 180/184/220/224	1
41	P1GX124584	DOWEL PIN - ZP3 180/184/220/224	1
42	P1GX130RETSCREW	BODY RETAINING SCREW, 3/8-16 X 4, 18-8SS - ZP3 180/184	2
44	P3RTB180010C00	ROTOR TWIN BLADE - ZP3 180/184 (STD-CIP) - ALLOY 88	2
	<i>P3RTB180010C0H</i>	<i>ROTOR TWIN BLADE - ZP3 180/184 (STD-CIP) - ALLOY 88 - HOT CLEARANCE</i>	2
45	V70235	O-RING, ROTOR NUT (VITON) - ZP3 180/184/220/224	2
	<i>N70235</i>	<i>O-RING, ROTOR NUT (BUNA) - ZP3 180/184/220/224</i>	2
	<i>E70235</i>	<i>O-RING, ROTOR NUT (EPDM) - ZP3 180/184/220/224</i>	2
46	V70122	O-RING, RETAINER (VITON) - ZP3 180/184/220/224	2
	<i>N70122</i>	<i>O-RING, RETAINER (BUNA) - ZP3 180/184/220/224</i>	2
	<i>E70122</i>	<i>O-RING, RETAINER (EPDM) - ZP3 180/184/220/224</i>	2



Exploded View

Optional Items Shown in ITALICS

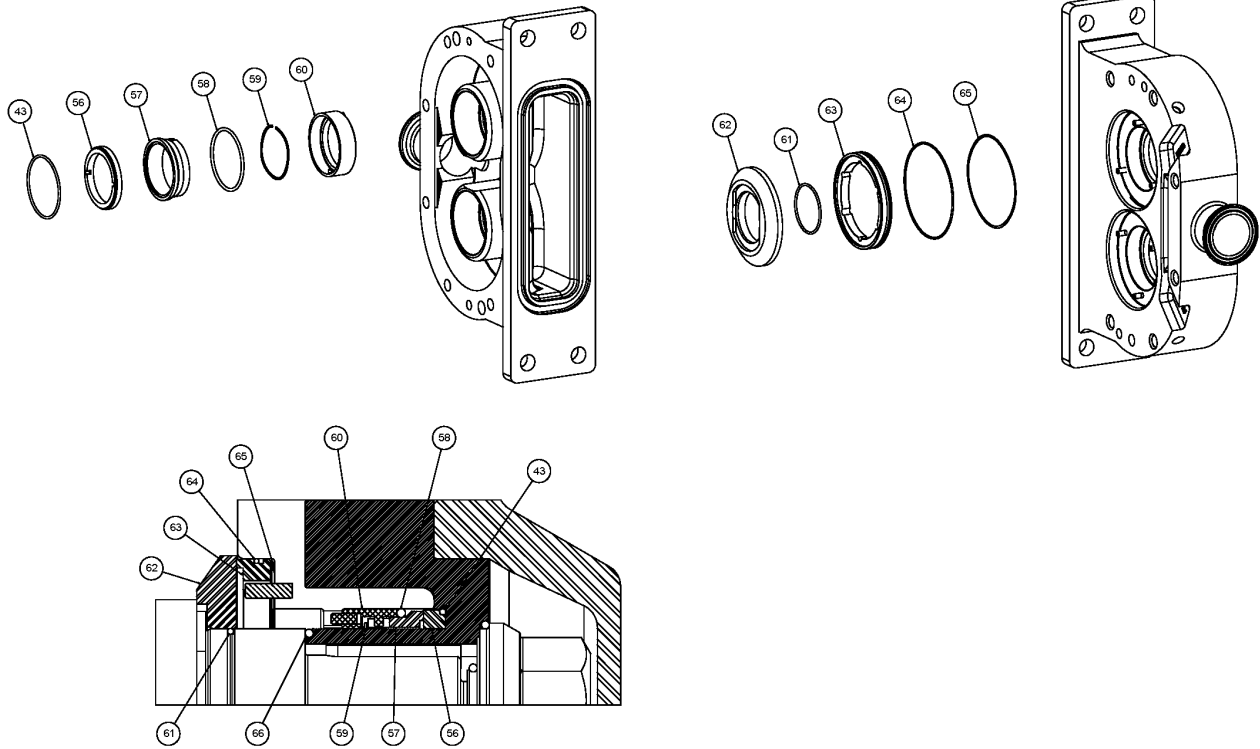
Ref #	Component Item No.	Description	Qty Per
47	P2GX101694	BELLEVILLE WASHER, SS - ZP3 180/184/220/224	2
48	P2SX101807	ROTOR NUT - ZP3 180/184/220/224	2
49	V70381	O-RING, COVER (VITON) - ZP3 180/184/220/224	1
	<i>N70381</i>	<i>O-RING, COVER (BUNA) - ZP3 180/184/220/224</i>	<i>1</i>
	<i>E70381</i>	<i>O-RING, COVER (EPDM) - ZP3 180/184/220/224</i>	<i>1</i>
	<i>SE70381</i>	<i>O-RING, COVER (FEP ENCAPSULATED SILICONE) - ZP3 180/184/220/224</i>	<i>1</i>
50	P3CVR101851	COVER - ZP3 180/184/220/224	1
	<i>P3CVR107670</i>	<i>COVER, JACKETED - ZP3 180/184/220/224</i>	<i>1</i>
51	P1SX108372	COVER HEX NUT - ZP3 180/184/220/224	8
	<i>P1GX105853</i>	<i>WING NUT - ZP1 180/184/220/224</i>	<i>8</i>
53	P1GXEYEBOLT-SS	EYE BOLT,60-224,SS	2
54	P1GX000CENAIL	DRIVENAIL,ZP,GEAR CASE GUARDS	4
55	P1SX230SPLATE	BEARING RETAINER SPLASH PLATE - ZP3 180/184/220/224	2
60	P3SX230098000	SEAL SLEEVE, NEW DESIGN - ZP3 180/184/220	2
66	V70230	O-RING, ROTOR HUB (VITON) - ZP3 180/184/220/224	2
	<i>N70230</i>	<i>O-RING, ROTOR HUB (BUNA) - ZP3 180/184/220/224</i>	<i>2</i>
	<i>E70230</i>	<i>O-RING, ROTOR HUB (EPDM) - ZP3 180/184/220/224</i>	<i>2</i>



Single Mechanical Seal

Optional Items Shown in ITALICS

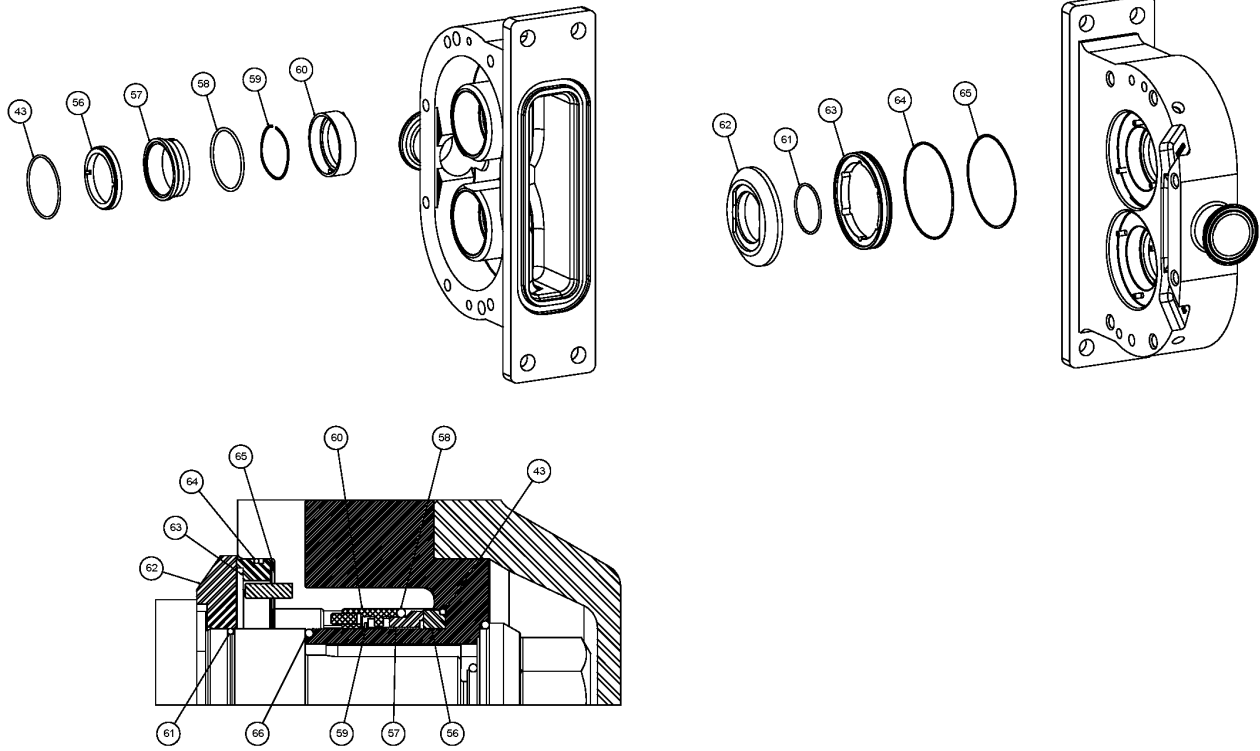
Ref #	Component Item No.	Description	Qty Per
43	V70041	O-RING, ROTOR SEAL FACE (VITON) ZP3 180/184/220/224	2
	<i>N70041</i>	<i>O-RING, ROTOR SEAL FACE (BUNA) ZP3 180/184/220/224</i>	<i>2</i>
	<i>E70041</i>	<i>O-RING, ROTOR SEAL FACE (EPDM) ZP3 180/184/220/224</i>	<i>2</i>
56	P3GS220014009	ROTOR SEAL FACE (C) - ZP3 180/184/220/224	2
	<i>P3GS220014000</i>	<i>ROTOR SEAL FACE (TC) - ZP3 180/184/220/224</i>	<i>2</i>
57	P3GS220306000	BODY SEAL FACE (TC) - ZP3 180/184/220/224	2
58	V70234	O-RING, BODY SEAL FACE (VITON) - ZP3 180/184/220/224	2
	<i>N70234</i>	<i>O-RING, BODY SEAL FACE (BUNA) - ZP3 180/184/220/224</i>	<i>2</i>
	<i>E70234</i>	<i>O-RING, BODY SEAL FACE (EPDM) - ZP3 180/184/220/224</i>	<i>2</i>
59	P3GS220304000	SEAL WAVE SPRING - ZP3 180/184/220/224	2
60	P3SX230098000	SEAL SLEEVE, NEW DESIGN - ZP3 180/184/220	2



Double Mechanical Seal

Optional Items Shown in ITALICS

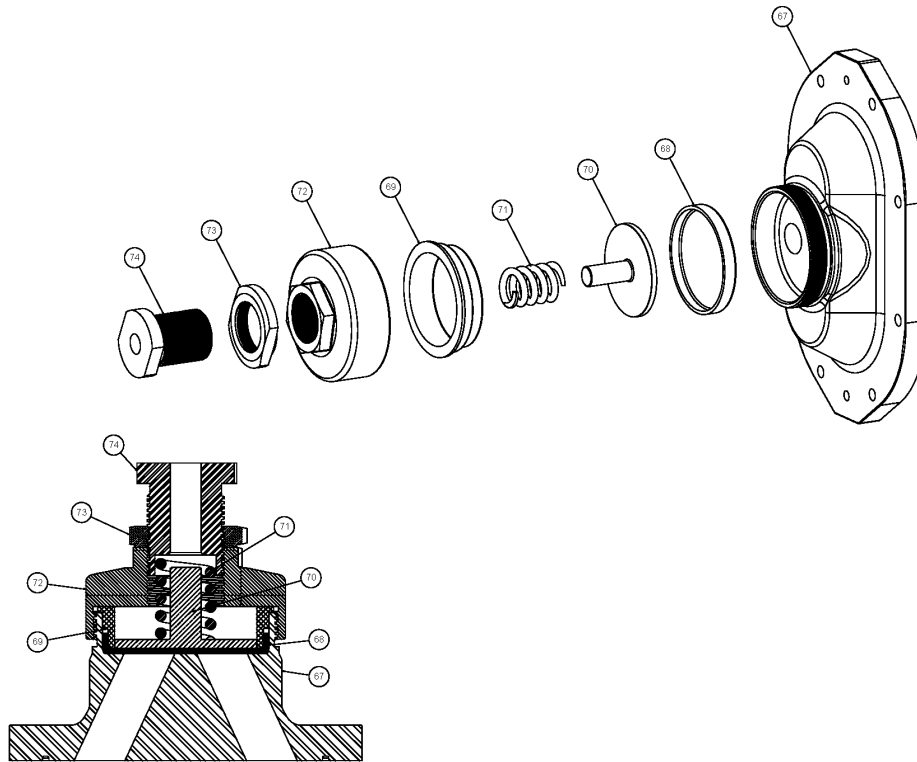
Ref #	Component Item No.	Description	Qty Per
43	V70041	O-RING, ROTOR SEAL FACE (VITON) ZP3 180/184/220/224	2
	<i>N70041</i>	<i>O-RING, ROTOR SEAL FACE (BUNA) ZP3 180/184/220/224</i>	2
	<i>E70041</i>	<i>O-RING, ROTOR SEAL FACE (EPDM) ZP3 180/184/220/224</i>	2
44	P3RTB180010C00	ROTOR TWIN BLADE - ZP3 180/184 (STD-CIP) - ALLOY 88	2
	<i>P3RTB180010C0H</i>	<i>ROTOR TWIN BLADE - ZP3 180/184 (STD-CIP) - ALLOY 88 - HOT CLEARANCE</i>	2
45	V70235	O-RING, ROTOR NUT (VITON) - ZP3 180/184/220/224	2
	<i>N70235</i>	<i>O-RING, ROTOR NUT (BUNA) - ZP3 180/184/220/224</i>	2
	<i>E70235</i>	<i>O-RING, ROTOR NUT (EPDM) - ZP3 180/184/220/224</i>	2
46	V70122	O-RING, RETAINER (VITON) - ZP3 180/184/220/224	2
	<i>N70122</i>	<i>O-RING, RETAINER (BUNA) - ZP3 180/184/220/224</i>	2
	<i>E70122</i>	<i>O-RING, RETAINER (EPDM) - ZP3 180/184/220/224</i>	2
47	P2GX101694	BELLEVILLE WASHER, SS - ZP3 180/184/220/224	2
48	P2SX101807	ROTOR NUT - ZP3 180/184/220/224	2
49	V70381	O-RING, COVER (VITON) - ZP3 180/184/220/224	1
	<i>N70381</i>	<i>O-RING, COVER (BUNA) - ZP3 180/184/220/224</i>	1
	<i>E70381</i>	<i>O-RING, COVER (EPDM) - ZP3 180/184/220/224</i>	1
	<i>SE70381</i>	<i>O-RING, COVER (FEP ENCAPSULATED SILICONE) - ZP3 180/184/220/224</i>	1
56	P3GS220014009	ROTOR SEAL FACE (C) - ZP3 180/184/220/224	2
	<i>P3GS220014000</i>	<i>ROTOR SEAL FACE (TC) - ZP3 180/184/220/224</i>	2
57	P3GS220306000	BODY SEAL FACE (TC) - ZP3 180/184/220/224	2
58	V70234	O-RING, BODY SEAL FACE (VITON) - ZP3 180/184/220/224	2
	<i>N70234</i>	<i>O-RING, BODY SEAL FACE (BUNA) - ZP3 180/184/220/224</i>	2
	<i>E70234</i>	<i>O-RING, BODY SEAL FACE (EPDM) - ZP3 180/184/220/224</i>	2
59	P3GS220304000	SEAL WAVE SPRING - ZP3 180/184/220/224	2
60	P3SX230098000	SEAL SLEEVE, NEW DESIGN - ZP3 180/184/220	2
66	V70230	O-RING, ROTOR HUB (VITON) - ZP3 180/184/220/224	2
	<i>N70230</i>	<i>O-RING, ROTOR HUB (BUNA) - ZP3 180/184/220/224</i>	2



Double Mechanical Seal

Optional Items Shown in ITALICS

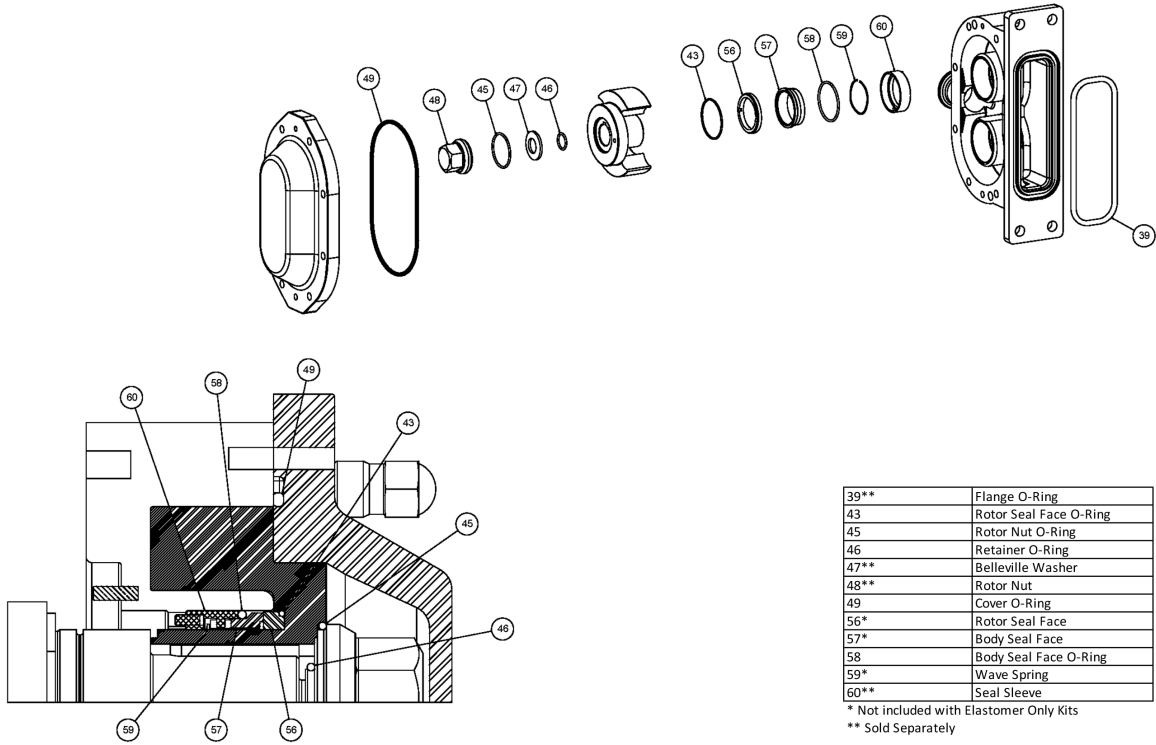
Ref #	Component Item No.	Description	Qty Per
66	<i>E70230</i>	<i>O-RING, ROTOR HUB (EPDM) - ZP3 180/184/220/224</i>	2



Pressure Relief Cover

Optional Items Shown in ITALICS

Ref #	Component Item No.	Description	Qty Per
67	P3CVR103672	VENTED FRONT COVER, ZP3 - 180/184/220/224	1
68	P1GXGD0078V00	RUBBER DIAPHRAGM, VITON, ZP1 & ZP2 & ZP3 -180/184/220/224	1
	<i>P1GXGD0078000</i>	<i>RUBBER DIAPHRAGM, BUNA, ZP1 & ZP2 & ZP3 - 180/184/220/224</i>	1
69	P1SXGD0077000	DIAPHRAGM BUSHING, ZP1 & ZP2 & ZP3 - 180/184/220/224	1
70	P1SXGD0073000	SPRING PLUNGER, ZP1 & ZP2 & ZP3 - 180/184/220/224	1
71	P1SX113400	SPRING, MEDIUM, (LESS THAN 150 PSI), ZP1 & ZP2 & ZP3 - 180/184/220/224	1
	<i>P1SX113524</i>	<i>SPRING, HIGH, (MORE THAN 150 PSI), ZP1 & ZP2 & ZP3 - 180/184/220/224</i>	1
72	P1SXGD0075000	COVER NUT, ZP1 & ZP2 & ZP3 - 180/184/220/224	1
73	P1SXGD0074000	LOCKNUT, ZP1 & ZP2 & ZP3 - 60/64/130/134/180/184/220/224	1
74	P1SX113657	ADJUSTING SCREW, ZP1 & ZP2 & ZP3 - 60/64/130/134/180/184/220/224	1



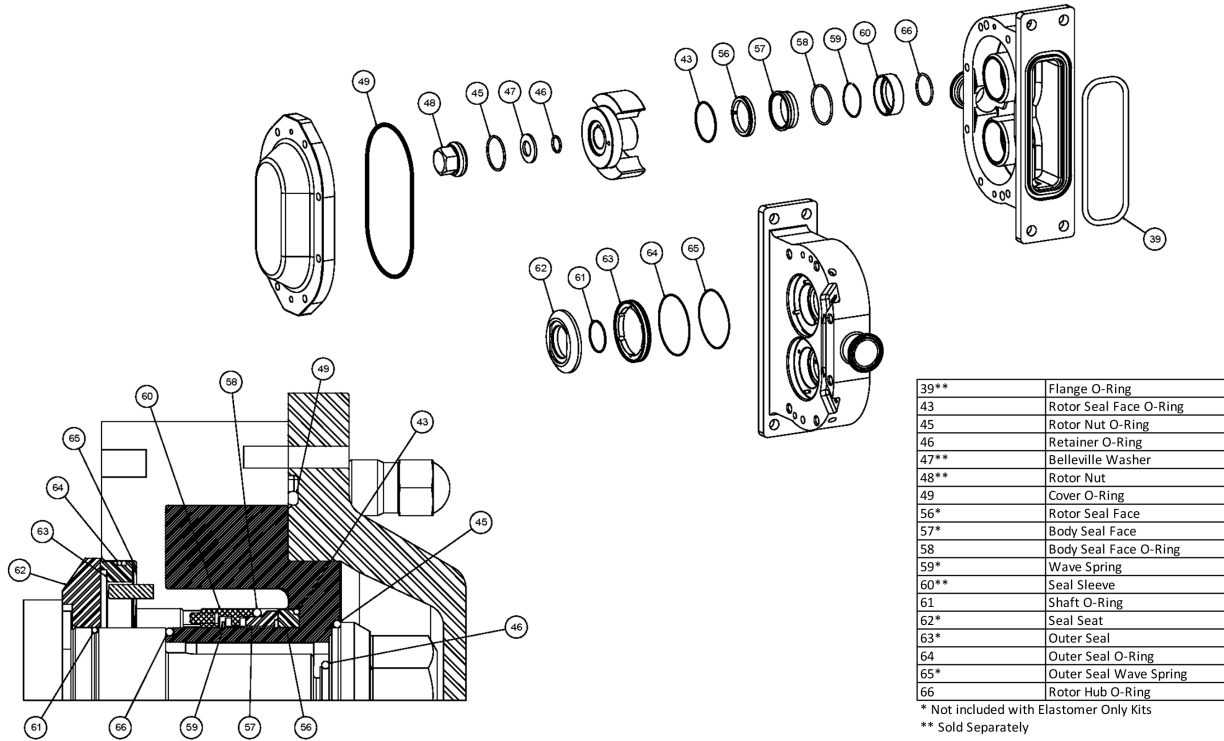
39**	Flange O-Ring
43	Rotor Seal Face O-Ring
45	Rotor Nut O-Ring
46	Retainer O-Ring
47**	Belleville Washer
48**	Rotor Nut
49	Cover O-Ring
56*	Rotor Seal Face
57*	Body Seal Face
58	Body Seal Face O-Ring
59*	Wave Spring
60**	Seal Sleeve

* Not included with Elastomer Only Kits
** Sold Separately

Single Mechanical Seal Kit

Optional Items Shown in ITALICS

Ref #	Component Item No.	Description	Qty Per
1	P3GX220000-V	SEAL KIT, SGL MECH, ELASTOMERS ONLY, VITON - ZP3 180/184/220/224	1
	<i>P3GX220000-N</i>	<i>SEAL KIT, SGL MECH, ELASTOMERS ONLY, BUNA - ZP3 180/184/220/224</i>	<i>1</i>
	<i>P3GX220000-E</i>	<i>SEAL KIT, SGL MECH, ELASTOMERS ONLY, EPDM - ZP3 180/184/220/224</i>	<i>1</i>
3	P3GS220000-V	SEAL KIT, SGL MECH, TC/SC, VITON - ZP3 180/184/220/224	1
	<i>P3GS220000-N</i>	<i>SEAL KIT, SGL MECH, TC/SC, BUNA - ZP3 180/184/220/224</i>	<i>1</i>
	<i>P3GS220000-E</i>	<i>SEAL KIT, SGL MECH, TC/SC, EPDM - ZP3 180/184/220/224</i>	<i>1</i>
47	P2GX101694	BELLEVILLE WASHER, SS - ZP3 180/184/220/224	2
48	P2SX101807	ROTOR NUT - ZP3 180/184/220/224	2
60	P3SX230098000	SEAL SLEEVE, NEW DESIGN - ZP3 180/184/220	2



Double Mechanical Seal Kit

Optional Items Shown in ITALICS

Ref #	Component Item No.	Description	Qty Per
1	P3GX220000-V	SEAL KIT, DBL MECH, ELASTOMERS ONLY, VITON - ZP3 180/184/220/224	1
	<i>P3GX220000-N</i>	<i>SEAL KIT, DBL MECH, ELASTOMERS ONLY, BUNA - ZP3 180/184/220/224</i>	<i>1</i>
	<i>P3GX220000-E</i>	<i>SEAL KIT, DBL MECH, ELASTOMERS ONLY, EPDM - ZP3 180/184/220/224</i>	<i>1</i>
3	P3GS220000-V	SEAL KIT, DBL MECH, TC/SC - CE/CA, VITON - ZP3 180/184/220/224	1
	<i>P3GS220000-N</i>	<i>SEAL KIT, DBL MECH, TC/SC - CE/CA, BUNA - ZP3 180/184/220/224</i>	<i>1</i>
	<i>P3GS220000-E</i>	<i>SEAL KIT, DBL MECH, TC/SC - CE/CA, EPDM - ZP3 180/184/220/224</i>	<i>1</i>
5	P3GS220000-V	SEAL KIT, DBL MECH, TC/SC - SC/CA, VITON - ZP3 180/184/220/224	1
	<i>P3GS220000-N</i>	<i>SEAL KIT, DBL MECH, TC/SC - SC/CA, BUNA - ZP3 180/184/220/224</i>	<i>1</i>
	<i>P3GS220000-E</i>	<i>SEAL KIT, DBL MECH, TC/SC - SC/CA, EPDM - ZP3 180/184/220/224</i>	<i>1</i>
47	P2GX101694	BELLEVILLE WASHER, SS - ZP3 180/184/220/224	2
48	P2SX101807	ROTOR NUT - ZP3 180/184/220/224	2
60	P3SX230098000	SEAL SLEEVE, NEW DESIGN - ZP3 180/184/220	2



Exploded View

Optional Items Shown in ITALICS

Ref #	Component Item No.	Description	Qty Per
1	P1GX30-50	GEAR CASE COVER BOLT - 3/8-16 X 3/4 HHCS (18-8 SS)	6
2	P1GX43-189	GEAR CASE COVER WASHER - 3/8 FLAT WASHER (18-8 SS)	6
3	P1GXSTD030004	OIL SEAL, GEAR CASE COVER - ZP3 210/214/320/324	1
4	P1SX40669	GEAR CASE COVER, SS - ZP3 210/214/320/324	1
5	P1GXOH1236000	GEAR LOCKNUT - ZP3 210/214/320/324	2
6	P1GXOH1136000	GEAR LOCKWASHER - ZP3 210/214/320/324	2
7	P1GX320007001	GEAR DRIVE SHAFT - ZP3 210/214/320/324	1
8	P1GX320007002	GEAR SHORT SHAFT - ZP3 210/214/320/324	1
9	P2SX105478	GEAR CASE, SS - ZP3 210/214/320/324	1
10	P1SX40288	GEAR CASE BASE, SS - ZP3 210/214/320/324	1
11	P1GX30-250	SHCS, G. CASE BASE, (18-8 SS) 1/2-13 X 1.75" - ZP3 210/214/320/324	4
12	P1GX115798	PLUG,HEX,20M X1.5,W/NBR SEAL	5
13	P1GX115799	GAUGE,OIL,LVL,INDIC,M-20X1.5	1
14	P1GX70PLUG-SS	CLEAN OUT PLUG, SS - ZP3 210/214/320/324	4
15	P1GXBD0092001	GREASE FITTING, THREADED 1/4"-28 TAPER, SS	8
17	P2SX320CEGUARD	GUARD,210/214/320/324,(CE),GC,SS	2
18	P1GX111292	STUD, SHORT, ZP3 210/214	4
	P1GX112191	STUD, LONG, ZP3 210/214	4
19	P1GXOH1116000	DOWEL BUSHING - ZP3 210/214/320/324	2
20	P1GX105871	DOWEL PIN, GEAR BOX SIDE - ZP3 210/214/320/324	2
21	P1GXOH1116000	DOWEL BUSHING - ZP3 210/214/320/324	2
22	P1GX105871	DOWEL PIN, GEAR BOX SIDE - ZP3 210/214/320/324	2
23	P1GX102474	GEAR TO REAR BEARING SPACER - ZP3 210/214/320/324	2
24	P1GX102475	OIL SEAL REAR - ZP3 210/214/320/324	2
25	P1GXOH1036000	REAR BEARING - ZP3 210/214/320/324	2
26	P1GX102473	BEARING SPACER,THIN - ZP3 210/214/320/324	2
	P1GX102472	BEARING SPACER,THICK - ZP3 210/214/320/324	2



Exploded View

Optional Items Shown in ITALICS

Ref #	Component Item No.	Description	Qty Per
27	P1GX117893	SHIM KIT - ZP3 210/214/320/324	2
28	P1GXOH1036003	FRONT BEARING - ZP3 210/214/320/324	2
29	P2SX112186	DRIVE SHAFT (17-4PH) - ZP3 210/214	1
30	P2SX112187	SHORT SHAFT (17-4PH) - ZP3 210/214	1
31	P1GX000037005	DRIVE KEY, 5/8" SQ. X 2" - ZP3 210/214/320/324	1
32	P1GXOH1037000	GEAR KEY - ZP3 210/214/320/324	2
33	P2SX105422	ROTOR KEY - ZP3 210/214	2
34	P1SXOH1080000	BEARING RETAINER - ZP3 210/214/320/324	2
35	P1GXSTD030002	GREASE SEAL FRONT BEARING RET. - ZP3 210/214/320/324	2
36	P1GX30-343	BEARING RETAINER BOLT - 5/16-18 X 1 SHCS (18-8 SS)	8
37	P3BDY210001002	BODY - ZP3 210	1
38	P2GX102438	STOP PIN, SEAL	6
40	P1GXOH1040000	DOWEL PIN, COVER SIDE - ZP3 210/214/320/324	2
41	P1GXOH1040000	DOWEL PIN, COVER SIDE - ZP3 210/214/320/324	2
42	P1GX30-326	BODY RETAINING SCREW, 3/8-16 X 3.5" 18-8 SS - ZP3 210/214	2
44	P3RTB210010C00	ROTOR TWIN BLADE - ALLOY 88 - ZP3 210/214	2
	<i>P3RTB210010C0H</i>	<i>ROTOR TWIN BLADE - ALLOY 88 - ZP3 210/214 - HOT CLEARANCE</i>	2
45	V70237	O-RING, ROTOR NUT (VITON) - ZP3 210/214/320/324	2
	<i>N70237</i>	<i>O-RING, ROTOR NUT (BUNA) - ZP3 210/214/320/324</i>	2
	<i>E70237</i>	<i>O-RING, ROTOR NUT (EPDM) - ZP3 210/214/320/324</i>	2
46	V70125	O-RING, RETAINER (VITON) - ZP3 210/214/320/324	2
	<i>N70125</i>	<i>O-RING, RETAINER (BUNA) - ZP3 210/214/320/324</i>	2
	<i>E70125</i>	<i>O-RING, RETAINER (EPDM) - ZP3 210/214/320/324</i>	2
47	P2GX105411	BELLEVILLE WASHER, SS - ZP3 210/214/320/324	2
48	P2SX105409	ROTOR NUT - ZP3 210/214/320/324	2
49	V70382	O-RING, COVER (EPDM) - ZP3 210/214	1
	<i>N70382</i>	<i>O-RING, COVER (BUNA) - ZP3 210/214</i>	1



Exploded View

Optional Items Shown in ITALICS

Ref #	Component Item No.	Description	Qty Per
49	<i>E70382</i>	<i>O-RING, COVER (VITON) - ZP3 210/214</i>	1
	<i>SE70382</i>	<i>O-RING, COVER (FEP ENCAPSULATED SILICONE) - ZP3 210/214</i>	1
50	P3CVR112864	COVER - ZP3 210/214	1
51	P1GX110858	WING NUT, COVER - ZP3 210/214/320/324	8
	<i>P1SX108373</i>	<i>HEX NUT, COVER - ZP3 210/214/320/324</i>	8
53	P1GXEYEBOLT-SS	EYE BOLT,60-224,SS	3
54	P1GX000CENAIL	DRIVENAIL,ZP,GEAR CASE GUARDS	4
55	P1SX320SPLATE	BEARING RETAINER SPLASH PLATE - ZP1 320/324	2
	P1GX30-213	WASHER,210/320,LOCK,10-32	8
	P1GX30-212	CAPSCRW,HX,10-32X1/2,18-8SS	8
60	P3SX320098000	SEAL SLEEVE, NEW DESIGN - ZP3 210/214/320/324	2
66	V70232	O-RING, ROTOR HUB (VITON) - ZP3 210/214/320/324	2
	<i>N70232</i>	<i>O-RING, ROTOR HUB (BUNA) - ZP3 210/214/320/324</i>	2
	<i>E70232</i>	<i>O-RING, ROTOR HUB (EPDM) - ZP3 210/214/320/324</i>	2



Single Mechanical Seal

Optional Items Shown in ITALICS

Ref #	Component Item No.	Description	Qty Per
43	V70153	O-RING, ROTOR SEAL FACE (VITON) ZP3 210/214/320/324	2
	<i>N70153</i>	<i>O-RING, ROTOR SEAL FACE (BUNA) ZP3 210/214/320/324</i>	<i>2</i>
	<i>E70153</i>	<i>O-RING, ROTOR SEAL FACE (EPDM) ZP3 210/214/320/324</i>	<i>2</i>
44	P3RTB210010C00	ROTOR TWIN BLADE - ALLOY 88 - ZP3 210/214	2
	<i>P3RTB210010C0H</i>	<i>ROTOR TWIN BLADE - ALLOY 88 - ZP3 210/214 - HOT CLEARANCE</i>	<i>2</i>
45	V70237	O-RING, ROTOR NUT (VITON) - ZP3 210/214/320/324	2
	<i>N70237</i>	<i>O-RING, ROTOR NUT (BUNA) - ZP3 210/214/320/324</i>	<i>2</i>
	<i>E70237</i>	<i>O-RING, ROTOR NUT (EPDM) - ZP3 210/214/320/324</i>	<i>2</i>
46	V70125	O-RING, RETAINER (VITON) - ZP3 210/214/320/324	2
	<i>N70125</i>	<i>O-RING, RETAINER (BUNA) - ZP3 210/214/320/324</i>	<i>2</i>
	<i>E70125</i>	<i>O-RING, RETAINER (EPDM) - ZP3 210/214/320/324</i>	<i>2</i>
47	P2GX105411	BELLEVILLE WASHER, SS - ZP3 210/214/320/324	2
48	P2SX105409	ROTOR NUT - ZP3 210/214/320/324	2
49	V70382	O-RING, COVER (EPDM) - ZP3 210/214	1
	<i>N70382</i>	<i>O-RING, COVER (BUNA) - ZP3 210/214</i>	<i>1</i>
	<i>E70382</i>	<i>O-RING, COVER (VITON) - ZP3 210/214</i>	<i>1</i>
	<i>SE70382</i>	<i>O-RING, COVER (FEP ENCAPSULATED SILICONE) - ZP3 210/214</i>	<i>1</i>
56	P3GS320014009	ROTOR SEAL FACE (C) - ZP3 210/214/320/324	2
	<i>P3GS320014000</i>	<i>ROTOR SEAL FACE (TC) - ZP3 210/214/320/324</i>	<i>2</i>
57	P3GS320306000	BODY SEAL FACE (TC) - ZP3 210/214/320/324	2
58	V70342	O-RING, BODY SEAL FACE (VITON) - ZP3 210/214/320/324	2
	<i>E70342</i>	<i>O-RING, BODY SEAL FACE (EPDM) - ZP3 210/214/320/324</i>	<i>2</i>
59	P3GS320304000	SEAL WAVE SPRING - ZP3 210/214/320/324	2
60	P3SX320098000	SEAL SLEEVE, NEW DESIGN - ZP3 210/214/320/324	2



Double Mechanical Seal

Optional Items Shown in ITALICS

Ref #	Component Item No.	Description	Qty Per
43	V70153	O-RING, ROTOR SEAL FACE (VITON) ZP3 210/214/320/324	2
	<i>N70153</i>	<i>O-RING, ROTOR SEAL FACE (BUNA) ZP3 210/214/320/324</i>	<i>2</i>
	<i>E70153</i>	<i>O-RING, ROTOR SEAL FACE (EPDM) ZP3 210/214/320/324</i>	<i>2</i>
44	P3RTB210010C00	ROTOR TWIN BLADE - ALLOY 88 - ZP3 210/214	2
	<i>P3RTB210010C0H</i>	<i>ROTOR TWIN BLADE - ALLOY 88 - ZP3 210/214 - HOT CLEARANCE</i>	<i>2</i>
45	V70237	O-RING, ROTOR NUT (VITON) - ZP3 210/214/320/324	2
	<i>N70237</i>	<i>O-RING, ROTOR NUT (BUNA) - ZP3 210/214/320/324</i>	<i>2</i>
	<i>E70237</i>	<i>O-RING, ROTOR NUT (EPDM) - ZP3 210/214/320/324</i>	<i>2</i>
46	V70125	O-RING, RETAINER (VITON) - ZP3 210/214/320/324	2
	<i>N70125</i>	<i>O-RING, RETAINER (BUNA) - ZP3 210/214/320/324</i>	<i>2</i>
	<i>E70125</i>	<i>O-RING, RETAINER (EPDM) - ZP3 210/214/320/324</i>	<i>2</i>
47	P2GX105411	BELLEVILLE WASHER, SS - ZP3 210/214/320/324	2
48	P2SX105409	ROTOR NUT - ZP3 210/214/320/324	2
49	V70382	O-RING, COVER (EPDM) - ZP3 210/214	1
	<i>N70382</i>	<i>O-RING, COVER (BUNA) - ZP3 210/214</i>	<i>1</i>
	<i>E70382</i>	<i>O-RING, COVER (VITON) - ZP3 210/214</i>	<i>1</i>
	<i>SE70382</i>	<i>O-RING, COVER (FEP ENCAPSULATED SILICONE) - ZP3 210/214</i>	<i>1</i>
56	P3GS320014009	ROTOR SEAL FACE (C) - ZP3 210/214/320/324	2
	<i>P3GS320014000</i>	<i>ROTOR SEAL FACE (TC) - ZP3 210/214/320/324</i>	<i>2</i>
57	P3GS320306000	BODY SEAL FACE (TC) - ZP3 210/214/320/324	2
58	V70342	O-RING, BODY SEAL FACE (VITON) - ZP3 210/214/320/324	2
	<i>E70342</i>	<i>O-RING, BODY SEAL FACE (EPDM) - ZP3 210/214/320/324</i>	<i>2</i>
59	P3GS320304000	SEAL WAVE SPRING - ZP3 210/214/320/324	2
60	P3SX320098000	SEAL SLEEVE, NEW DESIGN - ZP3 210/214/320/324	2
61	V70149	O-RING, SHAFT (VITON) - ZP3 210/214/320/324	2
	<i>N70149</i>	<i>O-RING, SHAFT (BUNA) - ZP3 210/214/320/324</i>	<i>2</i>
	<i>E70149</i>	<i>O-RING, SHAFT (EPDM) - ZP 210/214/320/324</i>	<i>2</i>



Double Mechanical Seal

Optional Items Shown in ITALICS

Ref #	Component Item No.	Description	Qty Per
62	P2GS105416	SEAL SEAT (K) - ZP3 210/214/320/324	2
	<i>P2GS105417</i>	<i>SEAL SEAT (C) - ZP3 210/214/320/324</i>	<i>2</i>
63	P2GS105418	OUTER SEAL (N) - ZP3 210/214/320/324	2
64	V70160	O-RING, OUTER SEAL (VITON) - ZP3 210/214/320/324	2
	<i>N70160</i>	<i>O-RING, OUTER SEAL (BUNA) - ZP3 210/214/320/324</i>	<i>2</i>
	<i>E70160</i>	<i>O-RING, OUTER SEAL (EPDM) - ZP3 210/214/320/324</i>	<i>2</i>
65	P2GS105420	OUTER SEAL WAVE SPRING - ZP3 210/214/320/324	2



Double Mechanical Seal Kit

Optional Items Shown in ITALICS

Ref #	Component Item No.	Description	Qty Per
3	<i>P3GS210000-V</i>	<i>SEAL KIT, DBL MECH, TC/SC - CE/CA, VITON - ZP3 210/214</i>	1
	<i>P3GS210000-V</i>	<i>SEAL KIT, SGL MECH, TC/SC, VITON - ZP3 210/214</i>	1
5	<i>P3GS210000-V</i>	<i>SEAL KIT, DBL MECH, TC/SC - SC/CA, VITON - ZP3 210/214</i>	1



Exploded View

Optional Items Shown in ITALICS

Ref #	Component Item No.	Description	Qty Per
1	P1GX30-50	GEAR CASE COVER BOLT - 3/8-16 X 3/4 HHCS (18-8 SS)	6
2	P1GX43-189	GEAR CASE COVER WASHER - 3/8 FLAT WASHER (18-8 SS)	6
3	P1GXSTD030004	OIL SEAL, GEAR CASE COVER - ZP3 210/214/320/324	1
4	P1SX40669	GEAR CASE COVER, SS - ZP3 210/214/320/324	1
5	P1GXOH1236000	GEAR LOCKNUT - ZP3 210/214/320/324	2
6	P1GXOH1136000	GEAR LOCKWASHER - ZP3 210/214/320/324	2
7	P1GX320007001	GEAR DRIVE SHAFT - ZP3 210/214/320/324	1
8	P1GX320007002	GEAR SHORT SHAFT - ZP3 210/214/320/324	1
9	P2SX105478	GEAR CASE, SS - ZP3 210/214/320/324	1
10	P1SX40288	GEAR CASE BASE, SS - ZP3 210/214/320/324	1
11	P1GX30-250	SHCS, G. CASE BASE, (18-8 SS) 1/2-13 X 1.75" - ZP3 210/214/320/324	4
12	P1GX115798	PLUG,HEX,20M X1.5,W/NBR SEAL	5
13	P1GX115799	GAUGE,OIL,LVL,INDIC,M-20X1.5	1
14	P1GX70PLUG-SS	CLEAN OUT PLUG, SS - ZP3 210/214/320/324	4
15	P1GXBD0092001	GREASE FITTING, THREADED 1/4"-28 TAPER, SS	8
17	P2SX320CEGUARD	GUARD,210/214/320/324,(CE),GC,SS	2
18	P1GX112191	STUD, LONG, ZP3 210/214	4
	P1GX111292	STUD, SHORT, ZP3 210/214	4
19	P1GXOH1116000	DOWEL BUSHING - ZP3 210/214/320/324	2
20	P1GX105871	DOWEL PIN, GEAR BOX SIDE - ZP3 210/214/320/324	2
21	P1GXOH1116000	DOWEL BUSHING - ZP3 210/214/320/324	2
22	P1GX105871	DOWEL PIN, GEAR BOX SIDE - ZP3 210/214/320/324	2
23	P1GX102474	GEAR TO REAR BEARING SPACER - ZP3 210/214/320/324	2
24	P1GX102475	OIL SEAL REAR - ZP3 210/214/320/324	2
25	P1GXOH1036000	REAR BEARING - ZP3 210/214/320/324	2
26	P1GX102473	BEARING SPACER,THIN - ZP3 210/214/320/324	2
	P1GX102472	BEARING SPACER,THICK - ZP3 210/214/320/324	2



Exploded View

Optional Items Shown in ITALICS

Ref #	Component Item No.	Description	Qty Per
27	P1GX117893	SHIM KIT - ZP3 210/214/320/324	2
28	P1GXOH1036003	FRONT BEARING - ZP3 210/214/320/324	2
29	P2SX112186	DRIVE SHAFT (17-4PH) - ZP3 210/214	1
30	P2SX112187	SHORT SHAFT (17-4PH) - ZP3 210/214	1
31	P1GX000037005	DRIVE KEY, 5/8" SQ. X 2" - ZP3 210/214/320/324	1
32	P1GXOH1037000	GEAR KEY - ZP3 210/214/320/324	2
33	P2SX105422	ROTOR KEY - ZP3 210/214	2
34	P1SXOH1080000	BEARING RETAINER - ZP3 210/214/320/324	2
35	P1GXSTD030002	GREASE SEAL FRONT BEARING RET. - ZP3 210/214/320/324	2
36	P1GX30-343	BEARING RETAINER BOLT - 5/16-18 X 1 SHCS (18-8 SS)	8
37	P3BDY214001002	BODY - ZP3 214	1
38	P2GX102438	STOP PIN, SEAL	6
39	N70377	O-RING, RECTANGULAR FLANGE (BUNA) - ZP3 214	1
40	P1GXOH1040000	DOWEL PIN, COVER SIDE - ZP3 210/214/320/324	2
41	P1GXOH1040000	DOWEL PIN, COVER SIDE - ZP3 210/214/320/324	2
42	P1GX30-326	BODY RETAINING SCREW, 3/8-16 X 3.5" 18-8 SS - ZP3 210/214	2
44	P3RTB210010C00	ROTOR TWIN BLADE - ALLOY 88 - ZP3 210/214	2
	<i>P3RTB210010C0H</i>	<i>ROTOR TWIN BLADE - ALLOY 88 - ZP3 210/214 - HOT CLEARANCE</i>	2
45	V70237	O-RING, ROTOR NUT (VITON) - ZP3 210/214/320/324	2
	<i>N70237</i>	<i>O-RING, ROTOR NUT (BUNA) - ZP3 210/214/320/324</i>	2
	<i>E70237</i>	<i>O-RING, ROTOR NUT (EPDM) - ZP3 210/214/320/324</i>	2
46	V70125	O-RING, RETAINER (VITON) - ZP3 210/214/320/324	2
	<i>N70125</i>	<i>O-RING, RETAINER (BUNA) - ZP3 210/214/320/324</i>	2
	<i>E70125</i>	<i>O-RING, RETAINER (EPDM) - ZP3 210/214/320/324</i>	2
47	P2GX105411	BELLEVILLE WASHER, SS - ZP3 210/214/320/324	2
48	P2SX105409	ROTOR NUT - ZP3 210/214/320/324	2
49	V70382	O-RING, COVER (EPDM) - ZP3 210/214	1



Exploded View

Optional Items Shown in ITALICS

Ref #	Component Item No.	Description	Qty Per
49	<i>N70382</i>	<i>O-RING, COVER (BUNA) - ZP3 210/214</i>	1
	<i>E70382</i>	<i>O-RING, COVER (VITON) - ZP3 210/214</i>	1
	<i>SE70382</i>	<i>O-RING, COVER (FEP ENCAPSULATED SILICONE) - ZP3 210/214</i>	1
50	P3CVR112864	COVER - ZP3 210/214	1
51	P1GX110858	WING NUT, COVER - ZP3 210/214/320/324	8
	<i>P1SX108373</i>	<i>HEX NUT, COVER - ZP3 210/214/320/324</i>	8
53	P1GXEYEBOLT-SS	EYE BOLT,60-224,SS	3
54	P1GX000CENAIL	DRIVENAIL,ZP,GEAR CASE GUARDS	4
55	P1SX320SPLATE	BEARING RETAINER SPLASH PLATE - ZP1 320/324	2
	P1GX30-212	CAPSCRW,HX,10-32X1/2,18-8SS	8
	P1GX30-213	WASHER,210/320,LOCK,10-32	8
60	P3SX320098000	SEAL SLEEVE, NEW DESIGN - ZP3 210/214/320/324	2
66	V70232	O-RING, ROTOR HUB (VITON) - ZP3 210/214/320/324	2
	<i>N70232</i>	<i>O-RING, ROTOR HUB (BUNA) - ZP3 210/214/320/324</i>	2
	<i>E70232</i>	<i>O-RING, ROTOR HUB (EPDM) - ZP3 210/214/320/324</i>	2



Single Mechanical Seal

Optional Items Shown in ITALICS

Ref #	Component Item No.	Description	Qty Per
43	V70153	O-RING, ROTOR SEAL FACE (VITON) ZP3 210/214/320/324	2
	<i>N70153</i>	<i>O-RING, ROTOR SEAL FACE (BUNA) ZP3 210/214/320/324</i>	<i>2</i>
	<i>E70153</i>	<i>O-RING, ROTOR SEAL FACE (EPDM) ZP3 210/214/320/324</i>	<i>2</i>
44	P3RTB210010C00	ROTOR TWIN BLADE - ALLOY 88 - ZP3 210/214	2
	<i>P3RTB210010C0H</i>	<i>ROTOR TWIN BLADE - ALLOY 88 - ZP3 210/214 - HOT CLEARANCE</i>	<i>2</i>
45	V70237	O-RING, ROTOR NUT (VITON) - ZP3 210/214/320/324	2
	<i>N70237</i>	<i>O-RING, ROTOR NUT (BUNA) - ZP3 210/214/320/324</i>	<i>2</i>
	<i>E70237</i>	<i>O-RING, ROTOR NUT (EPDM) - ZP3 210/214/320/324</i>	<i>2</i>
46	V70125	O-RING, RETAINER (VITON) - ZP3 210/214/320/324	2
	<i>N70125</i>	<i>O-RING, RETAINER (BUNA) - ZP3 210/214/320/324</i>	<i>2</i>
	<i>E70125</i>	<i>O-RING, RETAINER (EPDM) - ZP3 210/214/320/324</i>	<i>2</i>
47	P2GX105411	BELLEVILLE WASHER, SS - ZP3 210/214/320/324	2
48	P2SX105409	ROTOR NUT - ZP3 210/214/320/324	2
49	V70382	O-RING, COVER (EPDM) - ZP3 210/214	1
	<i>N70382</i>	<i>O-RING, COVER (BUNA) - ZP3 210/214</i>	<i>1</i>
	<i>E70382</i>	<i>O-RING, COVER (VITON) - ZP3 210/214</i>	<i>1</i>
	<i>SE70382</i>	<i>O-RING, COVER (FEP ENCAPSULATED SILICONE) - ZP3 210/214</i>	<i>1</i>
56	P3GS320014009	ROTOR SEAL FACE (C) - ZP3 210/214/320/324	2
	<i>P3GS320014000</i>	<i>ROTOR SEAL FACE (TC) - ZP3 210/214/320/324</i>	<i>2</i>
57	P3GS320306000	BODY SEAL FACE (TC) - ZP3 210/214/320/324	2
58	V70342	O-RING, BODY SEAL FACE (VITON) - ZP3 210/214/320/324	2
	<i>E70342</i>	<i>O-RING, BODY SEAL FACE (EPDM) - ZP3 210/214/320/324</i>	<i>2</i>
59	P3GS320304000	SEAL WAVE SPRING - ZP3 210/214/320/324	2
60	P3SX320098000	SEAL SLEEVE, NEW DESIGN - ZP3 210/214/320/324	2



Double Mechanical Seal

Optional Items Shown in ITALICS

Ref #	Component Item No.	Description	Qty Per
43	V70153	O-RING, ROTOR SEAL FACE (VITON) ZP3 210/214/320/324	2
	<i>N70153</i>	<i>O-RING, ROTOR SEAL FACE (BUNA) ZP3 210/214/320/324</i>	2
	<i>E70153</i>	<i>O-RING, ROTOR SEAL FACE (EPDM) ZP3 210/214/320/324</i>	2
44	P3RTB210010C00	ROTOR TWIN BLADE - ALLOY 88 - ZP3 210/214	2
	<i>P3RTB210010C0H</i>	<i>ROTOR TWIN BLADE - ALLOY 88 - ZP3 210/214 - HOT CLEARANCE</i>	2
45	V70237	O-RING, ROTOR NUT (VITON) - ZP3 210/214/320/324	2
	<i>N70237</i>	<i>O-RING, ROTOR NUT (BUNA) - ZP3 210/214/320/324</i>	2
	<i>E70237</i>	<i>O-RING, ROTOR NUT (EPDM) - ZP3 210/214/320/324</i>	2
46	V70125	O-RING, RETAINER (VITON) - ZP3 210/214/320/324	2
	<i>N70125</i>	<i>O-RING, RETAINER (BUNA) - ZP3 210/214/320/324</i>	2
	<i>E70125</i>	<i>O-RING, RETAINER (EPDM) - ZP3 210/214/320/324</i>	2
47	P2GX105411	BELLEVILLE WASHER, SS - ZP3 210/214/320/324	2
48	P2SX105409	ROTOR NUT - ZP3 210/214/320/324	2
49	V70382	O-RING, COVER (EPDM) - ZP3 210/214	1
	<i>N70382</i>	<i>O-RING, COVER (BUNA) - ZP3 210/214</i>	1
	<i>E70382</i>	<i>O-RING, COVER (VITON) - ZP3 210/214</i>	1
	<i>SE70382</i>	<i>O-RING, COVER (FEP ENCAPSULATED SILICONE) - ZP3 210/214</i>	1
56	P3GS320014009	ROTOR SEAL FACE (C) - ZP3 210/214/320/324	2
	<i>P3GS320014000</i>	<i>ROTOR SEAL FACE (TC) - ZP3 210/214/320/324</i>	2
57	P3GS320306000	BODY SEAL FACE (TC) - ZP3 210/214/320/324	2
58	V70342	O-RING, BODY SEAL FACE (VITON) - ZP3 210/214/320/324	2
	<i>E70342</i>	<i>O-RING, BODY SEAL FACE (EPDM) - ZP3 210/214/320/324</i>	2
59	P3GS320304000	SEAL WAVE SPRING - ZP3 210/214/320/324	2
60	P3SX320098000	SEAL SLEEVE, NEW DESIGN - ZP3 210/214/320/324	2
61	V70149	O-RING, SHAFT (VITON) - ZP3 210/214/320/324	2
	<i>N70149</i>	<i>O-RING, SHAFT (BUNA) - ZP3 210/214/320/324</i>	2
	<i>E70149</i>	<i>O-RING, SHAFT (EPDM) - ZP 210/214/320/324</i>	2



Double Mechanical Seal

Optional Items Shown in ITALICS

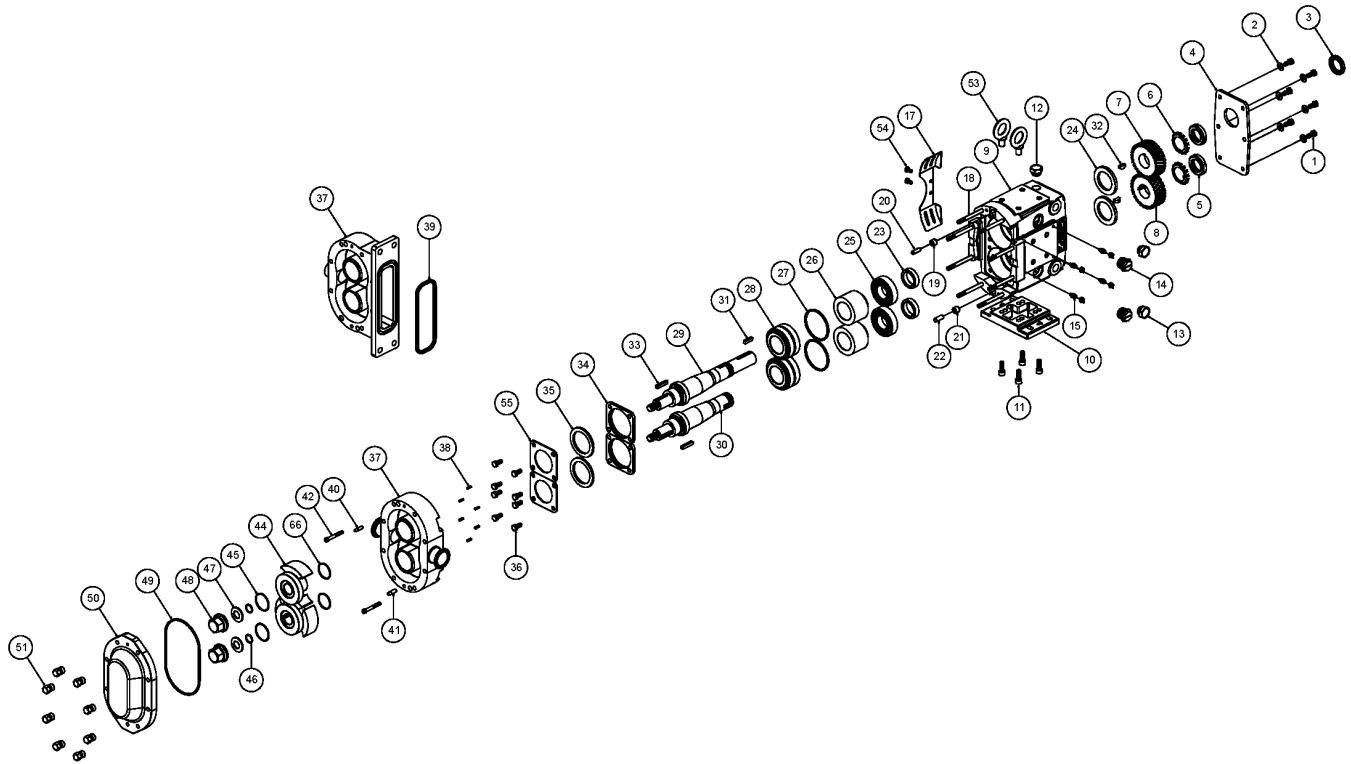
Ref #	Component Item No.	Description	Qty Per
62	P2GS105416	SEAL SEAT (K) - ZP3 210/214/320/324	2
	<i>P2GS105417</i>	<i>SEAL SEAT (C) - ZP3 210/214/320/324</i>	<i>2</i>
63	P2GS105418	OUTER SEAL (N) - ZP3 210/214/320/324	2
64	V70160	O-RING, OUTER SEAL (VITON) - ZP3 210/214/320/324	2
	<i>N70160</i>	<i>O-RING, OUTER SEAL (BUNA) - ZP3 210/214/320/324</i>	<i>2</i>
	<i>E70160</i>	<i>O-RING, OUTER SEAL (EPDM) - ZP3 210/214/320/324</i>	<i>2</i>
65	P2GS105420	OUTER SEAL WAVE SPRING - ZP3 210/214/320/324	2



Double Mechanical Seal Kit

Optional Items Shown in ITALICS

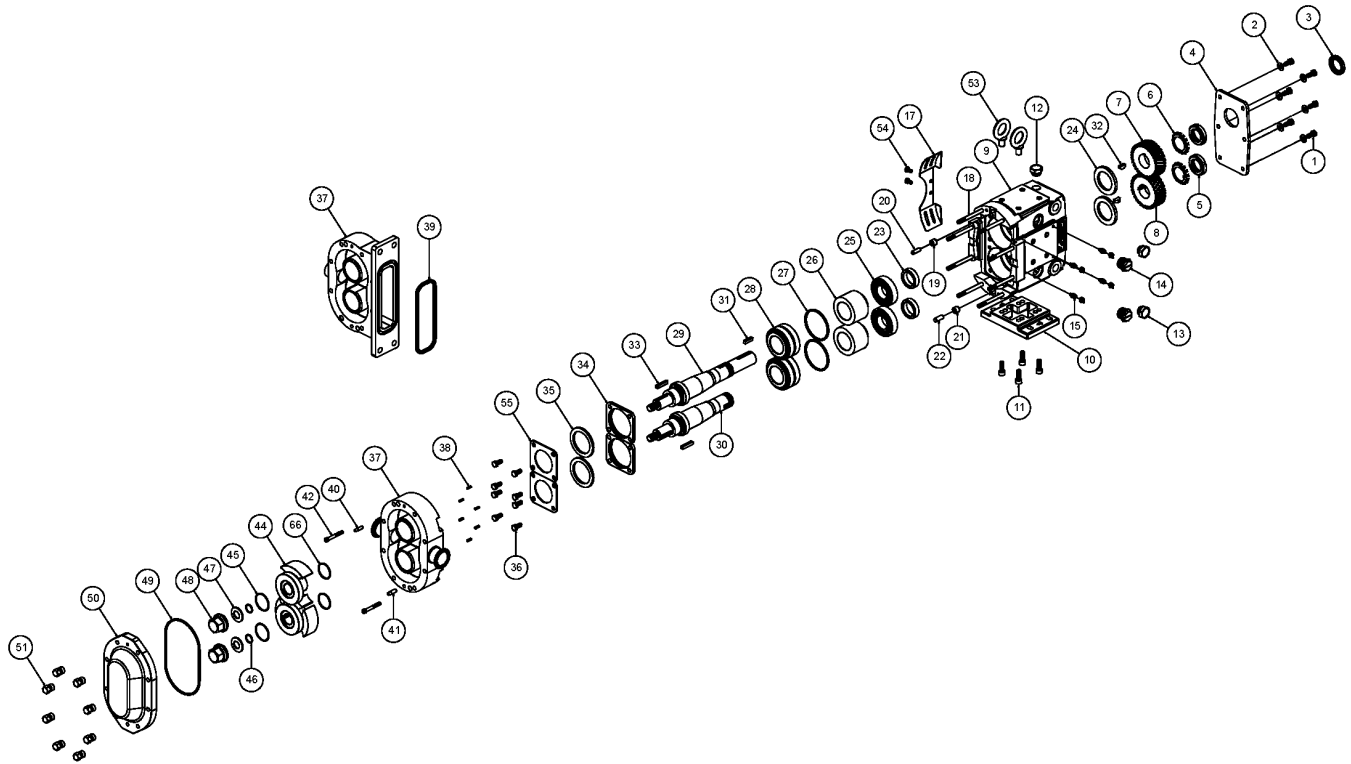
Ref #	Component Item No.	Description	Qty Per
3	<i>P3GS210000-V</i>	<i>SEAL KIT, DBL MECH, TC/SC - CE/CA, VITON - ZP3 210/214</i>	1
	<i>P3GS210000-V</i>	<i>SEAL KIT, SGL MECH, TC/SC, VITON - ZP3 210/214</i>	1
5	<i>P3GS210000-V</i>	<i>SEAL KIT, DBL MECH, TC/SC - SC/CA, VITON - ZP3 210/214</i>	1



Exploded View

Optional Items Shown in ITALICS

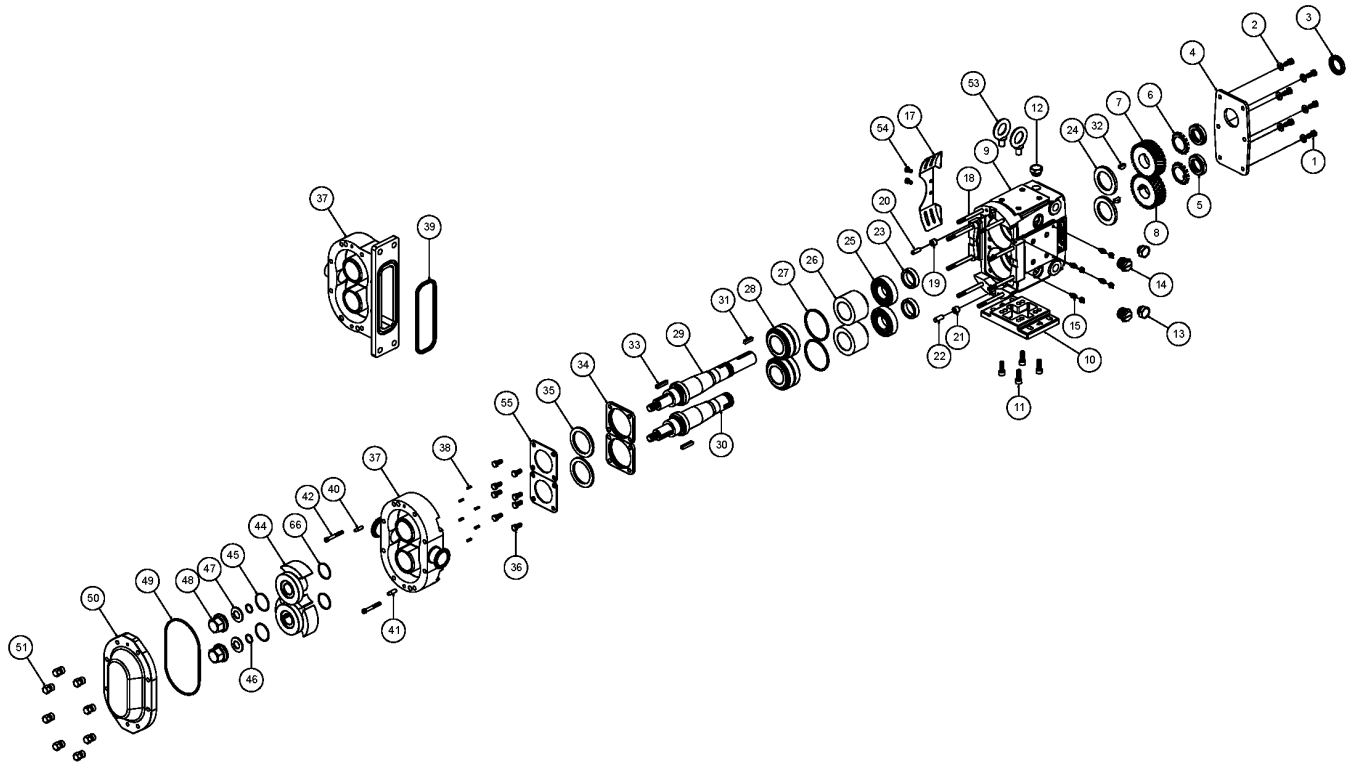
Ref #	Component Item No.	Description	Qty Per
1	P1GX30-50	GEAR CASE COVER BOLT - 3/8-16 X 3/4 HHCS (18-8 SS)	8
2	P1GX43-189	GEAR CASE COVER WASHER - 3/8 FLAT WASHER (18-8 SS)	8
3	P1GXSTD030006	OIL SEAL, GEAR CASE COVER - ZP3 180/184/220/224	1
4	P1SX230106000	GEAR CASE COVER, SS - ZP3 180/184/220/224	1
5	P1GXSTD236011	GEAR LOCKNUT - ZP3 180/184/220/224	2
6	P1GXSTD136011	GEAR LOCKWASHER - ZP3 180/184/220/224	2
7	P1GX220007001	GEAR DRIVE SHAFT - ZP3 180/184/220/224	1
8	P1GX220007002	GEAR SHORT SHAFT - ZP3 180/184/220/224	1
9	P1SX230005000	GEAR CASE, SS - ZP3 180/184/220/224	1
10	P1SX230110000	GEAR CASE BASE, SS - ZP3 180/184/220/224	1
11	P1GX30-44	SHCS, G. CASE BASE, (18-8 SS) 1/2-13 X 2" - ZP3 180/184/220/224	4
12	P1GX115798	PLUG,HEX,20M X1.5,W/NBR SEAL	5
13	P1GX115799	GAUGE,OIL,LVL,INDIC,M-20X1.5	1
14	P1GX70PLUG-SS	CLEAN OUT PLUG, SS - ZP3 180/184/220/224	4
15	P1GXBD0092001	GREASE FITTING, THREADED 1/4"-28 TAPER, SS	8
17	P1SX230CEGUARD	GUARD,184/224,(CE),GC,SS	2
18	P1GX108844	STUD - ZP3 220	8
	<i>P1GX108847</i>	<i>STUD, JACKETED COVER - ZP3 220</i>	8
19	<i>P1GXCD0116000</i>	<i>UPPER DOWEL BUSHING - ZP3 180/184/220/224</i>	1
20	P1GX124584	DOWEL PIN - ZP3 180/184/220/224	1
21	P1GXCD0116100	LOWER DOWEL BUSHING - ZP3 180/184/220/224	1
22	P1GX124586	DOWEL PIN - ZP3 180/184/220/224	1
23	P1GX40878	GEAR TO REAR BEARING SPACER - ZP3 180/184/220/224	2
24	P1GXSTD119002	OIL SEAL REAR - ZP3 220/223/224	2
25	P1GX200035000	REAR BEARING - ZP3 180/184/220/224	2
26	P1GX40752	BEARING SPACER - ZP3 180/184/220/224	2
27	P1GX117892	SHIM KIT - ZP3 180/184/220/224	2



Exploded View

Optional Items Shown in ITALICS

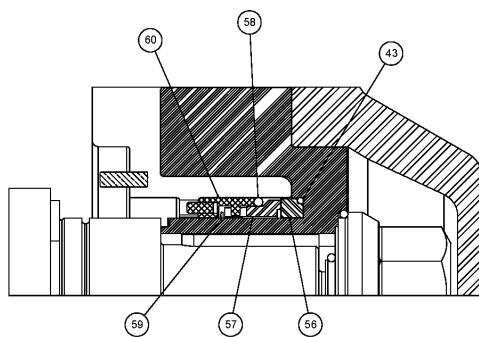
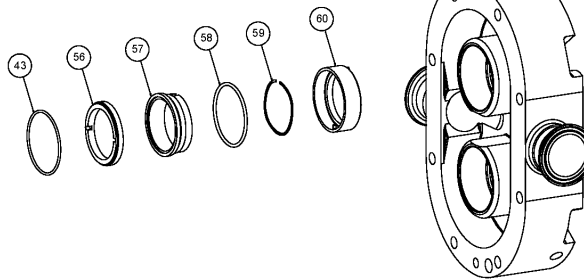
Ref #	Component Item No.	Description	Qty Per
28	P1GX200036000	FRONT BEARING - ZP3 180/184/220/224	2
29	P2SX108415	DRIVE SHAFT (17-4PH) - ZP3 220/224	1
30	P2SX108416	SHORT SHAFT (17-4PH) - ZP3 220/224	1
31	P1GX000037004	DRIVE KEY, 1/2" SQ. X 1-5/8" - ZP3 180/184/220/224	1
32	P1GX200037000	GEAR KEY - ZP3 180/184/220/224	2
33	P2SX101827	ROTOR KEY - ZP3 220/224	2
34	P1SX121829	BEARING RETAINER, NEW STYLE 3A - ZP3 180/184/220/224	2
35	P1GXSTD030002	GREASE SEAL FRONT BEARING RET. - ZP3 180/184/220/224	2
36	GX5077200	BEARING RETAINER BOLT - 3/8-16 X 1-1/4 HHCS (18-8 SS)	8
37	P3BDY220001002	BODY - ZP3 220	1
	<i>P3BDY220001F02</i>	<i>BODY - ZP3 220 - FLUSHED</i>	1
38	P2GX101720	STOP PIN, SEAL	6
40	P1GX124586	DOWEL PIN - ZP3 180/184/220/224	1
41	P1GX124584	DOWEL PIN - ZP3 180/184/220/224	1
42	P1GX30-499	BODY RETAINING SCREW, 3/8-16 X 4.5" 18-8SS - ZP3 220/224	2
44	P3RTB220010C00	ROTOR TWIN BLADE - ZP3 220/224 (STD-CIP) - ALLOY 88	2
	<i>P3RTB220010C0H</i>	<i>ROTOR TWIN BLADE - ZP3 220/224 (STD-CIP) - ALLOY 88 - HOT CLEARANCE</i>	2
	<i>P3RTB220010CHC</i>	<i>ROTOR TWIN BLADE - ZP3 220/224 (STD-CIP) - ALLOY 88 - HOT CHOCOLATE</i>	2
45	V70235	O-RING, ROTOR NUT (VITON) - ZP3 180/184/220/224	2
	<i>N70235</i>	<i>O-RING, ROTOR NUT (BUNA) - ZP3 180/184/220/224</i>	2
	<i>E70235</i>	<i>O-RING, ROTOR NUT (EPDM) - ZP3 180/184/220/224</i>	2
46	V70122	O-RING, RETAINER (VITON) - ZP3 180/184/220/224	2
	<i>N70122</i>	<i>O-RING, RETAINER (BUNA) - ZP3 180/184/220/224</i>	2
	<i>E70122</i>	<i>O-RING, RETAINER (EPDM) - ZP3 180/184/220/224</i>	2
47	P2GX101694	BELLEVILLE WASHER, SS - ZP3 180/184/220/224	2
48	P2SX101807	ROTOR NUT - ZP3 180/184/220/224	2
49	V70381	O-RING, COVER (VITON) - ZP3 180/184/220/224	1



Exploded View

Optional Items Shown in ITALICS

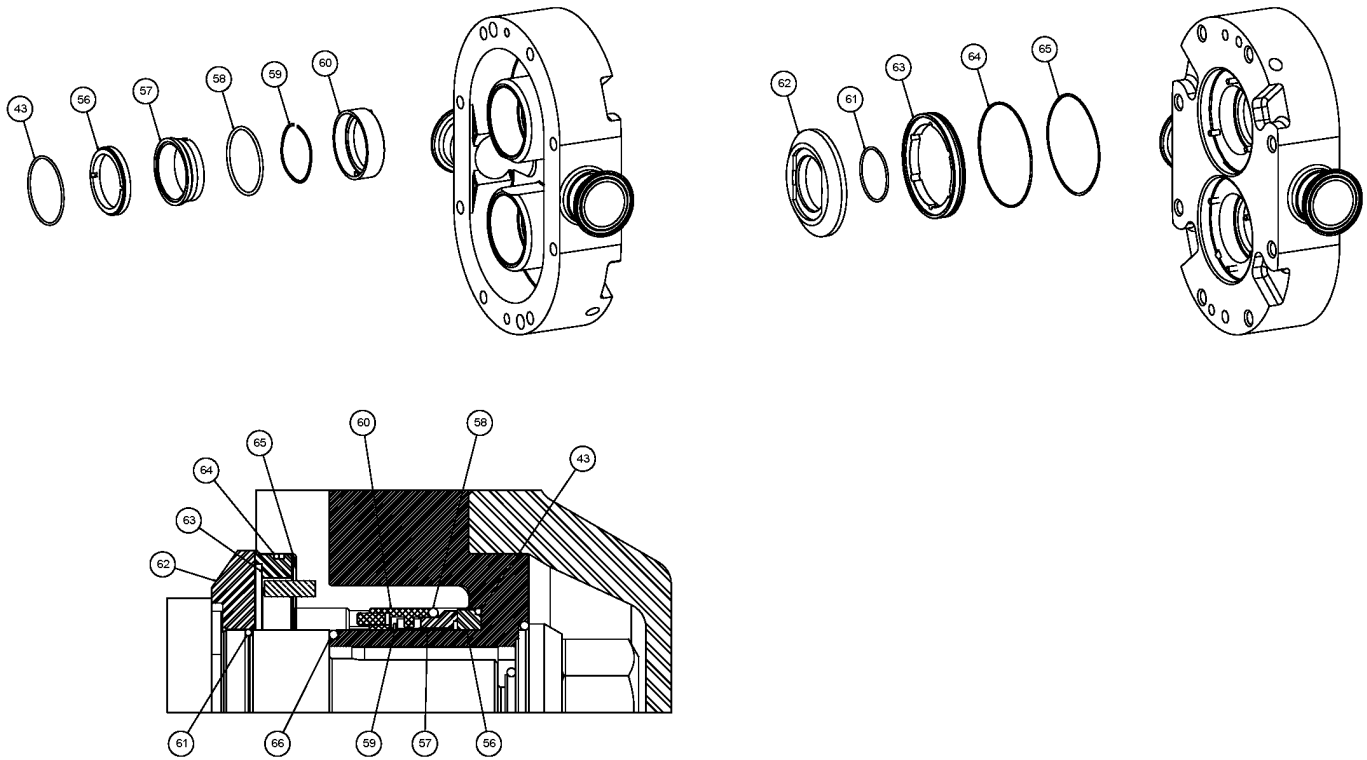
Ref #	Component Item No.	Description	Qty Per
49	<i>N70381</i>	<i>O-RING, COVER (BUNA) - ZP3 180/184/220/224</i>	1
	<i>E70381</i>	<i>O-RING, COVER (EPDM) - ZP3 180/184/220/224</i>	1
	<i>SE70381</i>	<i>O-RING, COVER (FEP ENCAPSULATED SILICONE) - ZP3 180/184/220/224</i>	1
50	P3CVR101851	COVER - ZP3 180/184/220/224	1
	<i>P3CVR107670</i>	<i>COVER, JACKETED - ZP3 180/184/220/224</i>	1
51	P1SX108372	COVER HEX NUT - ZP3 180/184/220/224	8
	<i>P1GX105853</i>	<i>WING NUT - ZP1 180/184/220/224</i>	8
53	P1GXEYEBOLT-SS	EYE BOLT,60-224,SS	2
54	P1GX000CENAIL	DRIVENAIL,ZP,GEAR CASE GUARDS	4
55	P1SX230SPLATE	BEARING RETAINER SPLASH PLATE - ZP3 180/184/220/224	2
60	P3SX230098000	SEAL SLEEVE, NEW DESIGN - ZP3 180/184/220	2
66	V70230	O-RING, ROTOR HUB (VITON) - ZP3 180/184/220/224	2
	<i>N70230</i>	<i>O-RING, ROTOR HUB (BUNA) - ZP3 180/184/220/224</i>	2
	<i>E70230</i>	<i>O-RING, ROTOR HUB (EPDM) - ZP3 180/184/220/224</i>	2



Single Mechanical Seal

Optional Items Shown in ITALICS

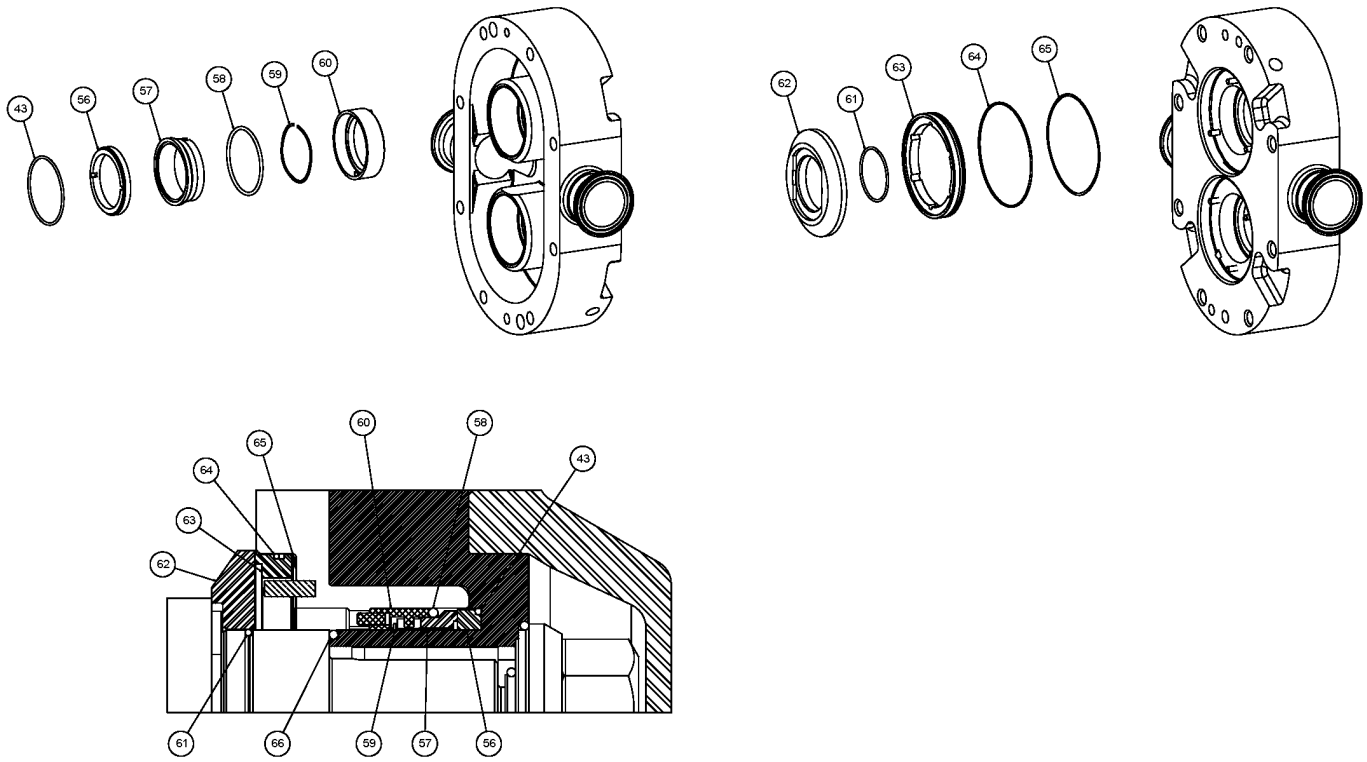
Ref #	Component Item No.	Description	Qty Per
43	V70041	O-RING, ROTOR SEAL FACE (VITON) ZP3 180/184/220/224	2
	<i>N70041</i>	<i>O-RING, ROTOR SEAL FACE (BUNA) ZP3 180/184/220/224</i>	2
	<i>E70041</i>	<i>O-RING, ROTOR SEAL FACE (EPDM) ZP3 180/184/220/224</i>	2
56	P3GS220014009	ROTOR SEAL FACE (C) - ZP3 180/184/220/224	2
	<i>P3GS220014000</i>	<i>ROTOR SEAL FACE (TC) - ZP3 180/184/220/224</i>	2
57	P3GS220306000	BODY SEAL FACE (TC) - ZP3 180/184/220/224	2
58	V70234	O-RING, BODY SEAL FACE (VITON) - ZP3 180/184/220/224	2
	<i>N70234</i>	<i>O-RING, BODY SEAL FACE (BUNA) - ZP3 180/184/220/224</i>	2
	<i>E70234</i>	<i>O-RING, BODY SEAL FACE (EPDM) - ZP3 180/184/220/224</i>	2
59	P3GS220304000	SEAL WAVE SPRING - ZP3 180/184/220/224	2
60	P3SX230098000	SEAL SLEEVE, NEW DESIGN - ZP3 180/184/220	2



Double Mechanical Seal

Optional Items Shown in ITALICS

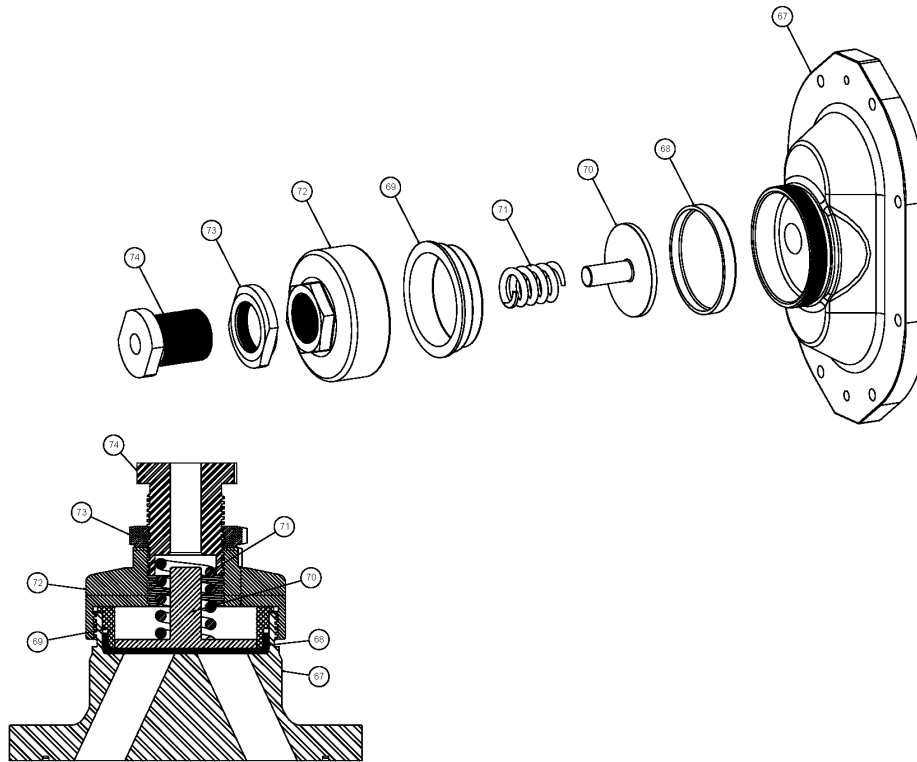
Ref #	Component Item No.	Description	Qty Per
43	V70041	O-RING, ROTOR SEAL FACE (VITON) ZP3 180/184/220/224	2
	<i>N70041</i>	<i>O-RING, ROTOR SEAL FACE (BUNA) ZP3 180/184/220/224</i>	2
	<i>E70041</i>	<i>O-RING, ROTOR SEAL FACE (EPDM) ZP3 180/184/220/224</i>	2
44	P3RTB220010C00	ROTOR TWIN BLADE - ZP3 220/224 (STD-CIP) - ALLOY 88	2
	<i>P3RTB220010C0H</i>	<i>ROTOR TWIN BLADE - ZP3 220/224 (STD-CIP) - ALLOY 88 - HOT CLEARANCE</i>	2
	<i>P3RTB220010CHC</i>	<i>ROTOR TWIN BLADE - ZP3 220/224 (STD-CIP) - ALLOY 88 - HOT CHOCOLATE</i>	2
45	V70235	O-RING, ROTOR NUT (VITON) - ZP3 180/184/220/224	2
	<i>N70235</i>	<i>O-RING, ROTOR NUT (BUNA) - ZP3 180/184/220/224</i>	2
	<i>E70235</i>	<i>O-RING, ROTOR NUT (EPDM) - ZP3 180/184/220/224</i>	2
46	V70122	O-RING, RETAINER (VITON) - ZP3 180/184/220/224	2
	<i>N70122</i>	<i>O-RING, RETAINER (BUNA) - ZP3 180/184/220/224</i>	2
	<i>E70122</i>	<i>O-RING, RETAINER (EPDM) - ZP3 180/184/220/224</i>	2
47	P2GX101694	BELLEVILLE WASHER, SS - ZP3 180/184/220/224	2
48	P2SX101807	ROTOR NUT - ZP3 180/184/220/224	2
49	V70381	O-RING, COVER (VITON) - ZP3 180/184/220/224	1
	<i>N70381</i>	<i>O-RING, COVER (BUNA) - ZP3 180/184/220/224</i>	1
	<i>E70381</i>	<i>O-RING, COVER (EPDM) - ZP3 180/184/220/224</i>	1
	<i>SE70381</i>	<i>O-RING, COVER (FEP ENCAPSULATED SILICONE) - ZP3 180/184/220/224</i>	1
56	P3GS220014009	ROTOR SEAL FACE (C) - ZP3 180/184/220/224	2
	<i>P3GS220014000</i>	<i>ROTOR SEAL FACE (TC) - ZP3 180/184/220/224</i>	2
57	P3GS220306000	BODY SEAL FACE (TC) - ZP3 180/184/220/224	2
58	V70234	O-RING, BODY SEAL FACE (VITON) - ZP3 180/184/220/224	2
	<i>N70234</i>	<i>O-RING, BODY SEAL FACE (BUNA) - ZP3 180/184/220/224</i>	2
	<i>E70234</i>	<i>O-RING, BODY SEAL FACE (EPDM) - ZP3 180/184/220/224</i>	2
59	P3GS220304000	SEAL WAVE SPRING - ZP3 180/184/220/224	2
60	P3SX230098000	SEAL SLEEVE, NEW DESIGN - ZP3 180/184/220	2
66	V70230	O-RING, ROTOR HUB (VITON) - ZP3 180/184/220/224	2



Double Mechanical Seal

Optional Items Shown in ITALICS

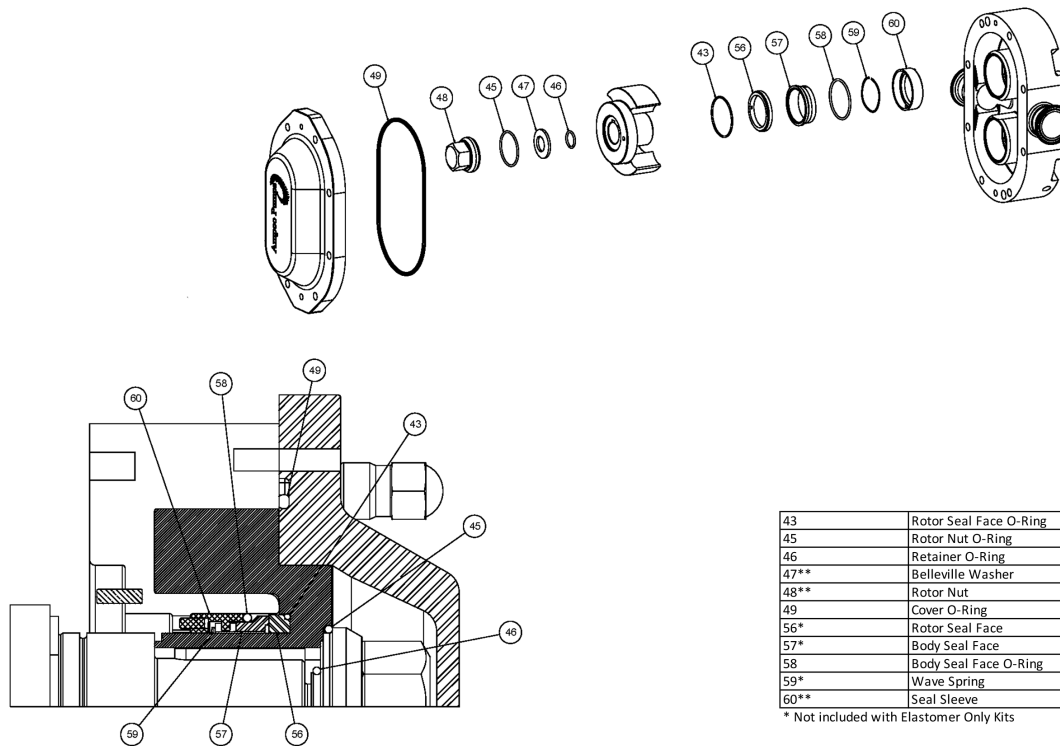
Ref #	Component Item No.	Description	Qty Per
66	<i>N70230</i>	<i>O-RING, ROTOR HUB (BUNA) - ZP3 180/184/220/224</i>	2
	<i>E70230</i>	<i>O-RING, ROTOR HUB (EPDM) - ZP3 180/184/220/224</i>	2



Pressure Relief Cover

Optional Items Shown in ITALICS

Ref #	Component Item No.	Description	Qty Per
67	P3CVR103672	VENTED FRONT COVER, ZP3 - 180/184/220/224	1
68	P1GXGD0078V00	RUBBER DIAPHRAGM, VITON, ZP1 & ZP2 & ZP3 -180/184/220/224	1
	<i>P1GXGD0078000</i>	<i>RUBBER DIAPHRAGM, BUNA, ZP1 & ZP2 & ZP3 - 180/184/220/224</i>	1
69	P1SXGD0077000	DIAPHRAGM BUSHING, ZP1 & ZP2 & ZP3 - 180/184/220/224	1
70	P1SXGD0073000	SPRING PLUNGER, ZP1 & ZP2 & ZP3 - 180/184/220/224	1
71	P1SX113400	SPRING, MEDIUM, (LESS THAN 150 PSI), ZP1 & ZP2 & ZP3 - 180/184/220/224	1
	<i>P1SX113524</i>	<i>SPRING, HIGH, (MORE THAN 150 PSI), ZP1 & ZP2 & ZP3 - 180/184/220/224</i>	1
72	P1SXGD0075000	COVER NUT, ZP1 & ZP2 & ZP3 - 180/184/220/224	1
73	P1SXGD0074000	LOCKNUT, ZP1 & ZP2 & ZP3 - 60/64/130/134/180/184/220/224	1
74	P1SX113657	ADJUSTING SCREW, ZP1 & ZP2 & ZP3 - 60/64/130/134/180/184/220/224	1



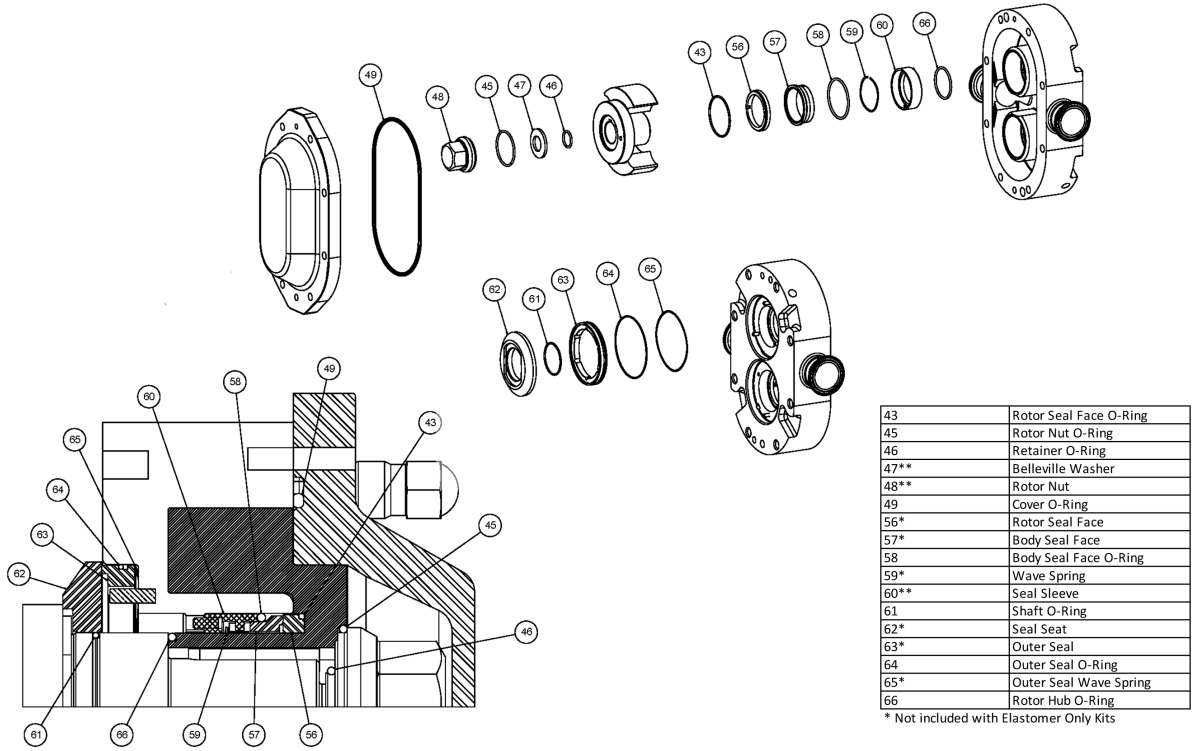
43	Rotor Seal Face O-Ring
45	Rotor Nut O-Ring
46	Retainer O-Ring
47**	Belleville Washer
48**	Rotor Nut
49	Cover O-Ring
56*	Rotor Seal Face
57*	Body Seal Face
58	Body Seal Face O-Ring
59*	Wave Spring
60**	Seal Sleeve

* Not included with Elastomer Only Kits

Single Mechanical Seal Kit

Optional Items Shown in ITALICS

Ref #	Component Item No.	Description	Qty Per
1	P3GX220000-V	SEAL KIT, SGL MECH, ELASTOMERS ONLY, VITON - ZP3 180/184/220/224	1
	<i>P3GX220000-N</i>	<i>SEAL KIT, SGL MECH, ELASTOMERS ONLY, BUNA - ZP3 180/184/220/224</i>	<i>1</i>
	<i>P3GX220000-E</i>	<i>SEAL KIT, SGL MECH, ELASTOMERS ONLY, EPDM - ZP3 180/184/220/224</i>	<i>1</i>
3	P3GS220000-V	SEAL KIT, SGL MECH, TC/SC, VITON - ZP3 180/184/220/224	1
	<i>P3GS220000-N</i>	<i>SEAL KIT, SGL MECH, TC/SC, BUNA - ZP3 180/184/220/224</i>	<i>1</i>
	<i>P3GS220000-E</i>	<i>SEAL KIT, SGL MECH, TC/SC, EPDM - ZP3 180/184/220/224</i>	<i>1</i>
47	P2GX101694	BELLEVILLE WASHER, SS - ZP3 180/184/220/224	2
48	P2SX101807	ROTOR NUT - ZP3 180/184/220/224	2
60	P3SX230098000	SEAL SLEEVE, NEW DESIGN - ZP3 180/184/220	2



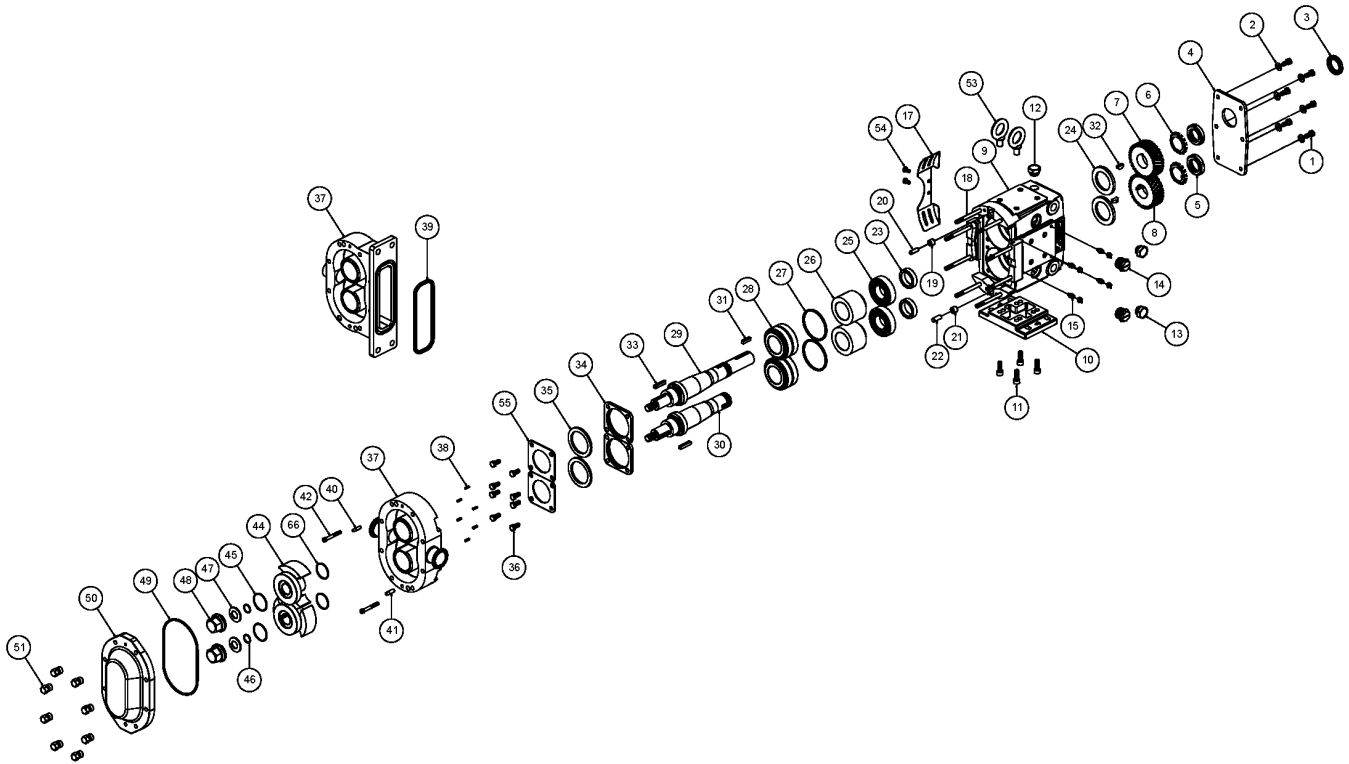
43	Rotor Seal Face O-Ring
45	Rotor Nut O-Ring
46	Retainer O-Ring
47**	Belleville Washer
48**	Rotor Nut
49	Cover O-Ring
56*	Rotor Seal Face
57*	Body Seal Face
58	Body Seal Face O-Ring
59*	Wave Spring
60**	Seal Sleeve
61	Shaft O-Ring
62*	Seal Seat
63*	Outer Seal
64	Outer Seal O-Ring
65*	Outer Seal Wave Spring
66	Rotor Hub O-Ring

* Not included with Elastomer Only Kits

Double Mechanical Seal Kit

Optional Items Shown in ITALICS

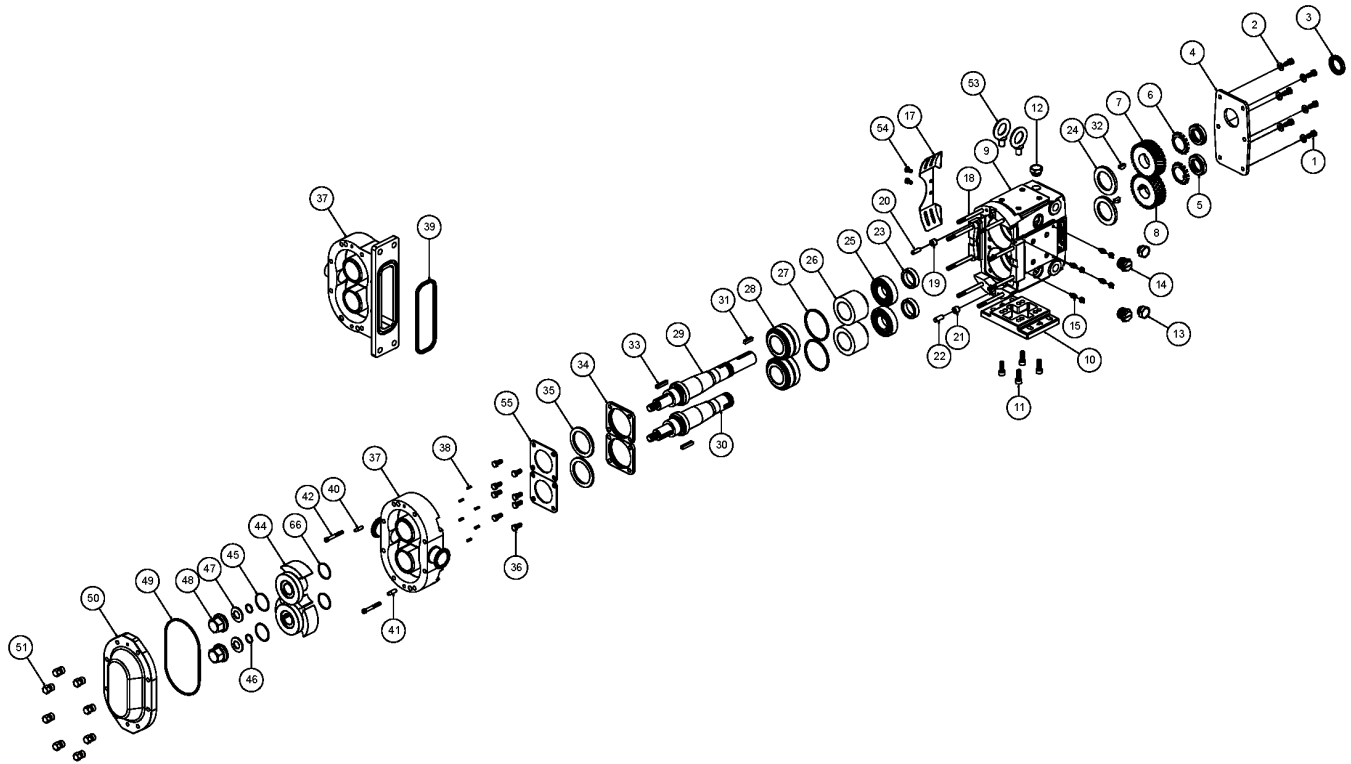
Ref #	Component Item No.	Description	Qty Per
1	P3GX220000-V	SEAL KIT, DBL MECH, ELASTOMERS ONLY, VITON - ZP3 180/184/220/224	1
	<i>P3GX220000-N</i>	<i>SEAL KIT, DBL MECH, ELASTOMERS ONLY, BUNA - ZP3 180/184/220/224</i>	<i>1</i>
	<i>P3GX220000-E</i>	<i>SEAL KIT, DBL MECH, ELASTOMERS ONLY, EPDM - ZP3 180/184/220/224</i>	<i>1</i>
3	P3GS220000-V	SEAL KIT, DBL MECH, TC/SC - CE/CA, VITON - ZP3 180/184/220/224	1
	<i>P3GS220000-N</i>	<i>SEAL KIT, DBL MECH, TC/SC - CE/CA, BUNA - ZP3 180/184/220/224</i>	<i>1</i>
	<i>P3GS220000-E</i>	<i>SEAL KIT, DBL MECH, TC/SC - CE/CA, EPDM - ZP3 180/184/220/224</i>	<i>1</i>
5	P3GS220000-V	SEAL KIT, DBL MECH, TC/SC - SC/CA, VITON - ZP3 180/184/220/224	1
	<i>P3GS220000-N</i>	<i>SEAL KIT, DBL MECH, TC/SC - SC/CA, BUNA - ZP3 180/184/220/224</i>	<i>1</i>
	<i>P3GS220000-E</i>	<i>SEAL KIT, DBL MECH, TC/SC - SC/CA, EPDM - ZP3 180/184/220/224</i>	<i>1</i>
47	P2GX101694	BELLEVILLE WASHER, SS - ZP3 180/184/220/224	2
48	P2SX101807	ROTOR NUT - ZP3 180/184/220/224	2
60	P3SX230098000	SEAL SLEEVE, NEW DESIGN - ZP3 180/184/220	2



Exploded View

Optional Items Shown in ITALICS

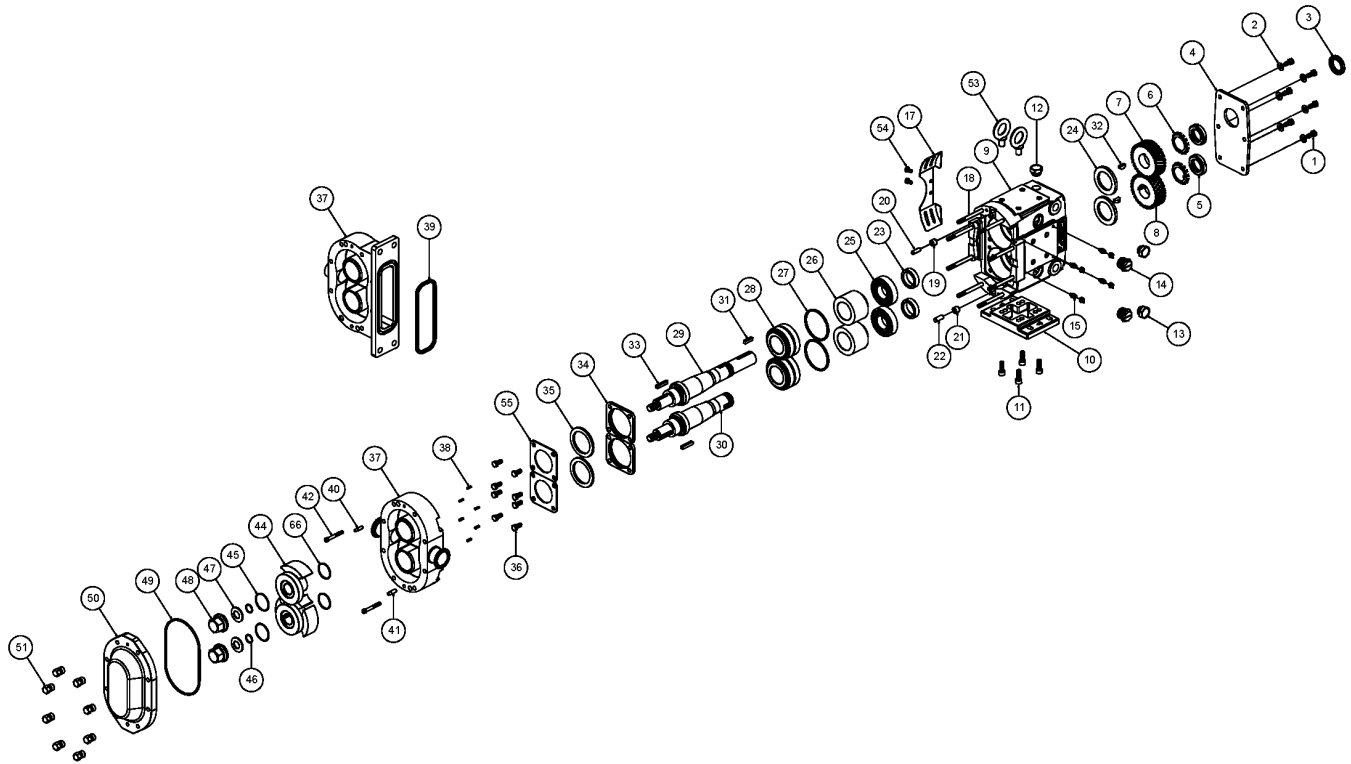
Ref #	Component Item No.	Description	Qty Per
1	P1GX30-50	GEAR CASE COVER BOLT - 3/8-16 X 3/4 HHCS (18-8 SS)	8
2	P1GX43-189	GEAR CASE COVER WASHER - 3/8 FLAT WASHER (18-8 SS)	8
3	P1GXSTD030006	OIL SEAL, GEAR CASE COVER - ZP3 180/184/220/224	1
4	P1SX230106000	GEAR CASE COVER, SS - ZP3 180/184/220/224	1
5	P1GXSTD236011	GEAR LOCKNUT - ZP3 180/184/220/224	2
6	P1GXSTD136011	GEAR LOCKWASHER - ZP3 180/184/220/224	2
7	P1GX220007001	GEAR DRIVE SHAFT - ZP3 180/184/220/224	1
8	P1GX220007002	GEAR SHORT SHAFT - ZP3 180/184/220/224	1
9	P1SX230005000	GEAR CASE, SS - ZP3 180/184/220/224	1
10	P1SX230110000	GEAR CASE BASE, SS - ZP3 180/184/220/224	1
11	P1GX30-44	SHCS, G. CASE BASE, (18-8 SS) 1/2-13 X 2" - ZP3 180/184/220/224	4
12	P1GX115798	PLUG,HEX,20M X1.5,W/NBR SEAL	5
13	P1GX115799	GAUGE,OIL,LVL,INDIC,M-20X1.5	1
14	P1GX70PLUG-SS	CLEAN OUT PLUG, SS - ZP3 180/184/220/224	4
15	P1GXBD0092001	GREASE FITTING, THREADED 1/4"-28 TAPER, SS	8
17	P1SX230CEGUARD	GUARD,184/224,(CE),GC,SS	2
18	P1GX35550	STUD, SHORT - ZP3 224	2
	P1GX108844	STUD - ZP3 220	6
	<i>P1GX36144</i>	<i>STUD, SHORT, JACKETED COVER - ZP3 224</i>	2
	<i>P1GX108847</i>	<i>STUD, JACKETED COVER - ZP3 224</i>	6
19	<i>P1GXCD0116000</i>	<i>UPPER DOWEL BUSHING - ZP3 180/184/220/224</i>	1
20	P1GX124584	DOWEL PIN - ZP3 180/184/220/224	1
21	P1GXCD0116100	LOWER DOWEL BUSHING - ZP3 180/184/220/224	1
22	P1GX124586	DOWEL PIN - ZP3 180/184/220/224	1
23	P1GX40878	GEAR TO REAR BEARING SPACER - ZP3 180/184/220/224	2
24	P1GXSTD119002	OIL SEAL REAR - ZP3 220/223/224	2
25	P1GX200035000	REAR BEARING - ZP3 180/184/220/224	2



Exploded View

Optional Items Shown in ITALICS

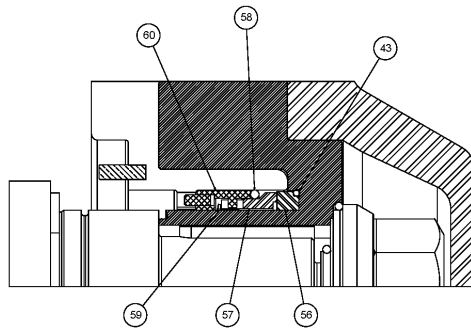
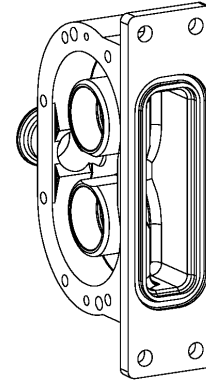
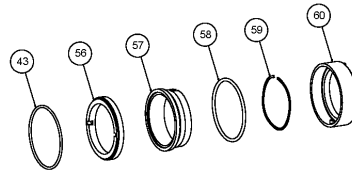
Ref #	Component Item No.	Description	Qty Per
26	P1GX40752	BEARING SPACER - ZP3 180/184/220/224	2
27	P1GX117892	SHIM KIT - ZP3 180/184/220/224	2
28	P1GX200036000	FRONT BEARING - ZP3 180/184/220/224	2
29	P2SX108415	DRIVE SHAFT (17-4PH) - ZP3 220/224	1
30	P2SX108416	SHORT SHAFT (17-4PH) - ZP3 220/224	1
31	P1GX000037004	DRIVE KEY, 1/2" SQ. X 1-5/8" - ZP3 180/184/220/224	1
32	P1GX200037000	GEAR KEY - ZP3 180/184/220/224	2
33	P2SX101827	ROTOR KEY - ZP3 220/224	2
34	P1SX121829	BEARING RETAINER, NEW STYLE 3A - ZP3 180/184/220/224	2
35	P1GXSTD030002	GREASE SEAL FRONT BEARING RET. - ZP3 180/184/220/224	2
36	GX5077200	BEARING RETAINER BOLT - 3/8-16 X 1-1/4 HHCS (18-8 SS)	8
37	P3BDY224001002	BODY - ZP3 224	1
38	P2GX101720	STOP PIN, SEAL	6
39	V70376	O-RING, RECTANGULAR FLANGE (VITON) - ZP3 224	1
	<i>N70376</i>	<i>O-RING, RECTANGULAR FLANGE (BUNA) - ZP3 224</i>	<i>1</i>
	<i>E70376</i>	<i>O-RING, RECTANGULAR FLANGE (EPDM) - ZP3 224</i>	<i>1</i>
40	P1GX124586	DOWEL PIN - ZP3 180/184/220/224	1
41	P1GX124584	DOWEL PIN - ZP3 180/184/220/224	1
42	P1GX30-499	BODY RETAINING SCREW, 3/8-16 X 4.5" 18-8SS - ZP3 220/224	2
44	P3RTB220010C00	ROTOR TWIN BLADE - ZP3 220/224 (STD-CIP) - ALLOY 88	2
	<i>P3RTB220010C0H</i>	<i>ROTOR TWIN BLADE - ZP3 220/224 (STD-CIP) - ALLOY 88 - HOT CLEARANCE</i>	<i>2</i>
	<i>P3RTB220010CHC</i>	<i>ROTOR TWIN BLADE - ZP3 220/224 (STD-CIP) - ALLOY 88 - HOT CHOCOLATE</i>	<i>2</i>
45	V70235	O-RING, ROTOR NUT (VITON) - ZP3 180/184/220/224	2
	<i>N70235</i>	<i>O-RING, ROTOR NUT (BUNA) - ZP3 180/184/220/224</i>	<i>2</i>
	<i>E70235</i>	<i>O-RING, ROTOR NUT (EPDM) - ZP3 180/184/220/224</i>	<i>2</i>
46	V70122	O-RING, RETAINER (VITON) - ZP3 180/184/220/224	2
	<i>N70122</i>	<i>O-RING, RETAINER (BUNA) - ZP3 180/184/220/224</i>	<i>2</i>



Exploded View

Optional Items Shown in ITALICS

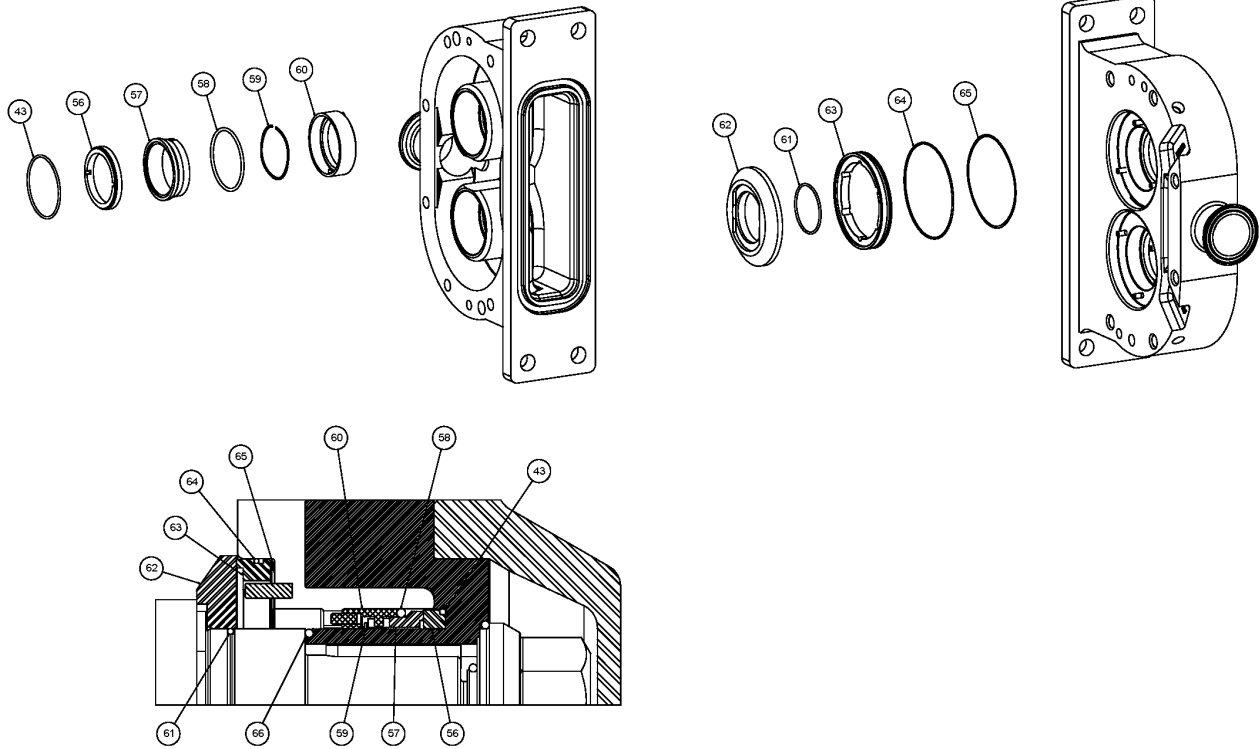
Ref #	Component Item No.	Description	Qty Per
46	<i>E70122</i>	<i>O-RING, RETAINER (EPDM) - ZP3 180/184/220/224</i>	2
47	P2GX101694	BELLEVILLE WASHER, SS - ZP3 180/184/220/224	2
48	P2SX101807	ROTOR NUT - ZP3 180/184/220/224	2
49	V70381	O-RING, COVER (VITON) - ZP3 180/184/220/224	1
	<i>N70381</i>	<i>O-RING, COVER (BUNA) - ZP3 180/184/220/224</i>	1
	<i>E70381</i>	<i>O-RING, COVER (EPDM) - ZP3 180/184/220/224</i>	1
	<i>SE70381</i>	<i>O-RING, COVER (FEP ENCAPSULATED SILICONE) - ZP3 180/184/220/224</i>	1
50	P3CVR101851	COVER - ZP3 180/184/220/224	1
	<i>P3CVR107670</i>	<i>COVER, JACKETED - ZP3 180/184/220/224</i>	1
51	P1SX108372	COVER HEX NUT - ZP3 180/184/220/224	8
	<i>P1GX105853</i>	<i>WING NUT - ZP1 180/184/220/224</i>	8
53	P1GXEYEBOLT-SS	EYE BOLT,60-224,SS	2
54	P1GX000CENAIL	DRIVENAIL,ZP,GEAR CASE GUARDS	4
55	P1SX230SPATE	BEARING RETAINER SPLASH PLATE - ZP3 180/184/220/224	2
60	P3SX220098000	SEAL SLEEVE, OLD DESIGN - ZP3 224	2
66	V70230	O-RING, ROTOR HUB (VITON) - ZP3 180/184/220/224	2
	<i>N70230</i>	<i>O-RING, ROTOR HUB (BUNA) - ZP3 180/184/220/224</i>	2
	<i>E70230</i>	<i>O-RING, ROTOR HUB (EPDM) - ZP3 180/184/220/224</i>	2



Single Mechanical Seal

Optional Items Shown in ITALICS

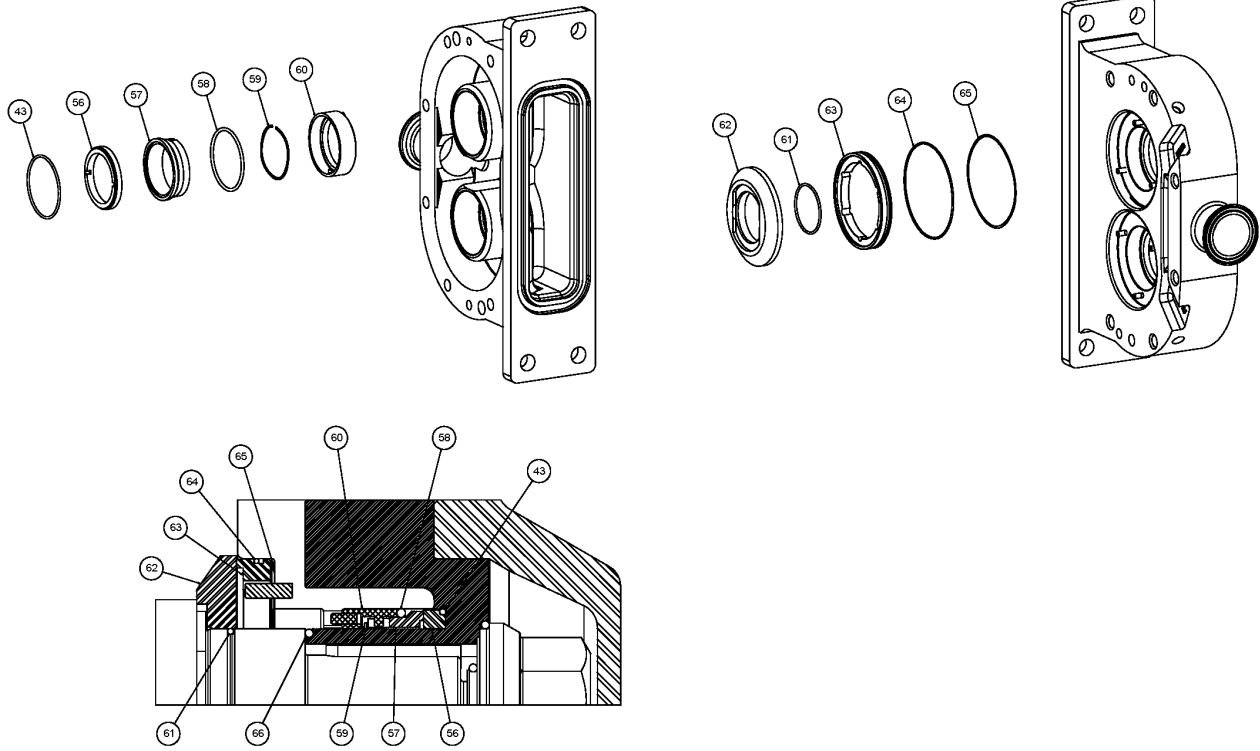
Ref #	Component Item No.	Description	Qty Per
43	V70041	O-RING, ROTOR SEAL FACE (VITON) ZP3 180/184/220/224	2
	<i>N70041</i>	<i>O-RING, ROTOR SEAL FACE (BUNA) ZP3 180/184/220/224</i>	<i>2</i>
	<i>E70041</i>	<i>O-RING, ROTOR SEAL FACE (EPDM) ZP3 180/184/220/224</i>	<i>2</i>
56	P3GS220014009	ROTOR SEAL FACE (C) - ZP3 180/184/220/224	2
	<i>P3GS220014000</i>	<i>ROTOR SEAL FACE (TC) - ZP3 180/184/220/224</i>	<i>2</i>
57	P3GS220306000	BODY SEAL FACE (TC) - ZP3 180/184/220/224	2
58	V70234	O-RING, BODY SEAL FACE (VITON) - ZP3 180/184/220/224	2
	<i>N70234</i>	<i>O-RING, BODY SEAL FACE (BUNA) - ZP3 180/184/220/224</i>	<i>2</i>
	<i>E70234</i>	<i>O-RING, BODY SEAL FACE (EPDM) - ZP3 180/184/220/224</i>	<i>2</i>
59	P3GS220304000	SEAL WAVE SPRING - ZP3 180/184/220/224	2
60	P3SX220098000	SEAL SLEEVE, OLD DESIGN - ZP3 224	2



Double Mechanical Seal

Optional Items Shown in ITALICS

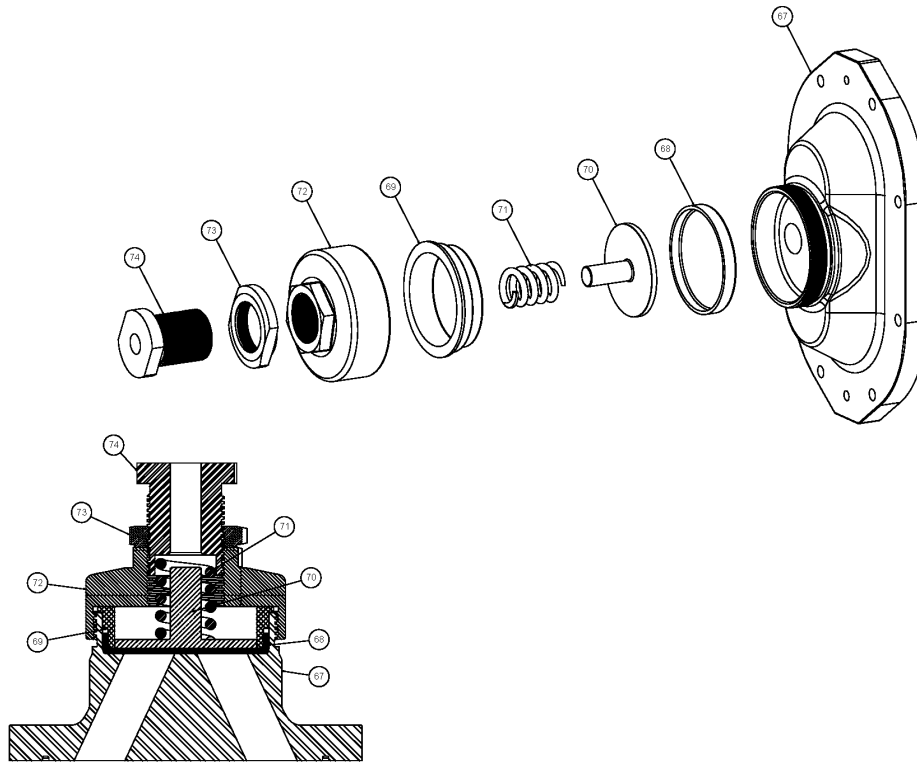
Ref #	Component Item No.	Description	Qty Per
43	V70041	O-RING, ROTOR SEAL FACE (VITON) ZP3 180/184/220/224	2
	<i>N70041</i>	<i>O-RING, ROTOR SEAL FACE (BUNA) ZP3 180/184/220/224</i>	2
	<i>E70041</i>	<i>O-RING, ROTOR SEAL FACE (EPDM) ZP3 180/184/220/224</i>	2
44	P3RTB220010C00	ROTOR TWIN BLADE - ZP3 220/224 (STD-CIP) - ALLOY 88	2
	<i>P3RTB220010C0H</i>	<i>ROTOR TWIN BLADE - ZP3 220/224 (STD-CIP) - ALLOY 88 - HOT CLEARANCE</i>	2
	<i>P3RTB220010CHC</i>	<i>ROTOR TWIN BLADE - ZP3 220/224 (STD-CIP) - ALLOY 88 - HOT CHOCOLATE</i>	2
45	V70235	O-RING, ROTOR NUT (VITON) - ZP3 180/184/220/224	2
	<i>N70235</i>	<i>O-RING, ROTOR NUT (BUNA) - ZP3 180/184/220/224</i>	2
	<i>E70235</i>	<i>O-RING, ROTOR NUT (EPDM) - ZP3 180/184/220/224</i>	2
46	V70122	O-RING, RETAINER (VITON) - ZP3 180/184/220/224	2
	<i>N70122</i>	<i>O-RING, RETAINER (BUNA) - ZP3 180/184/220/224</i>	2
	<i>E70122</i>	<i>O-RING, RETAINER (EPDM) - ZP3 180/184/220/224</i>	2
47	P2GX101694	BELLEVILLE WASHER, SS - ZP3 180/184/220/224	2
48	P2SX101807	ROTOR NUT - ZP3 180/184/220/224	2
49	V70381	O-RING, COVER (VITON) - ZP3 180/184/220/224	1
	<i>N70381</i>	<i>O-RING, COVER (BUNA) - ZP3 180/184/220/224</i>	1
	<i>E70381</i>	<i>O-RING, COVER (EPDM) - ZP3 180/184/220/224</i>	1
	<i>SE70381</i>	<i>O-RING, COVER (FEP ENCAPSULATED SILICONE) - ZP3 180/184/220/224</i>	1
56	P3GS220014009	ROTOR SEAL FACE (C) - ZP3 180/184/220/224	2
	<i>P3GS220014000</i>	<i>ROTOR SEAL FACE (TC) - ZP3 180/184/220/224</i>	2
57	P3GS220306000	BODY SEAL FACE (TC) - ZP3 180/184/220/224	2
58	V70234	O-RING, BODY SEAL FACE (VITON) - ZP3 180/184/220/224	2
	<i>N70234</i>	<i>O-RING, BODY SEAL FACE (BUNA) - ZP3 180/184/220/224</i>	2
	<i>E70234</i>	<i>O-RING, BODY SEAL FACE (EPDM) - ZP3 180/184/220/224</i>	2
59	P3GS220304000	SEAL WAVE SPRING - ZP3 180/184/220/224	2
60	P3SX220098000	SEAL SLEEVE, OLD DESIGN - ZP3 224	2
66	V70230	O-RING, ROTOR HUB (VITON) - ZP3 180/184/220/224	2



Double Mechanical Seal

Optional Items Shown in ITALICS

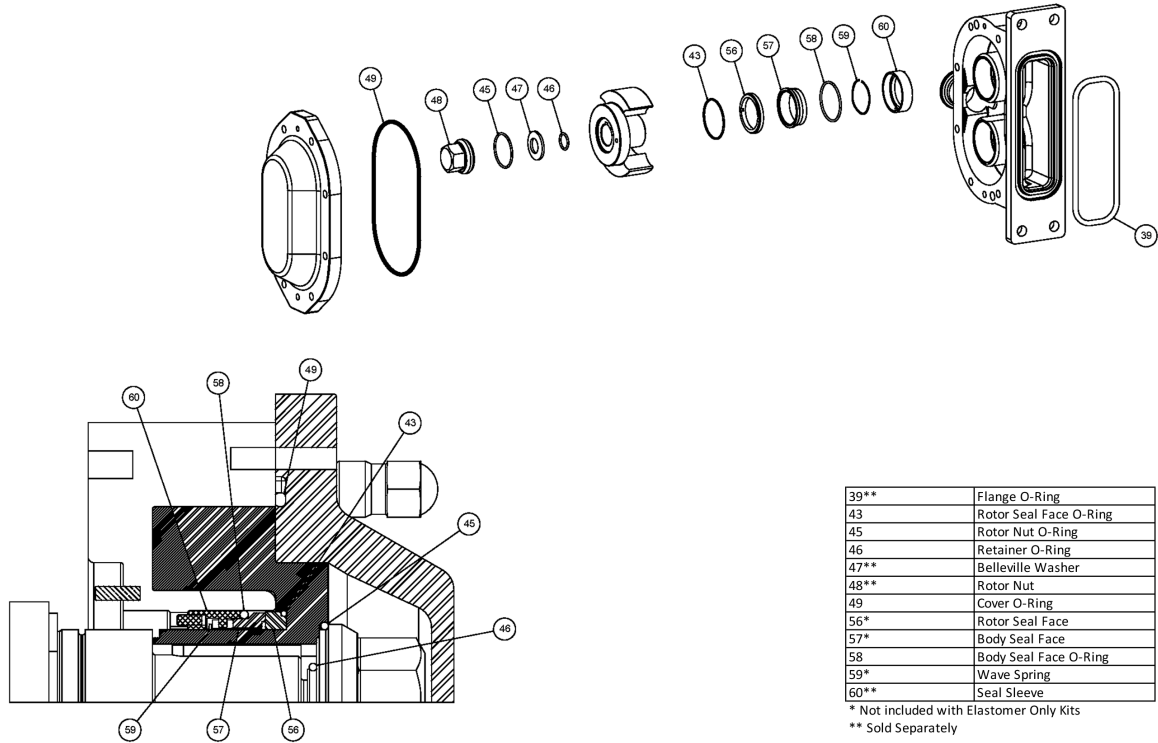
Ref #	Component Item No.	Description	Qty Per
66	<i>N70230</i>	<i>O-RING, ROTOR HUB (BUNA) - ZP3 180/184/220/224</i>	2
	<i>E70230</i>	<i>O-RING, ROTOR HUB (EPDM) - ZP3 180/184/220/224</i>	2



Pressure Relief Cover

Optional Items Shown in ITALICS

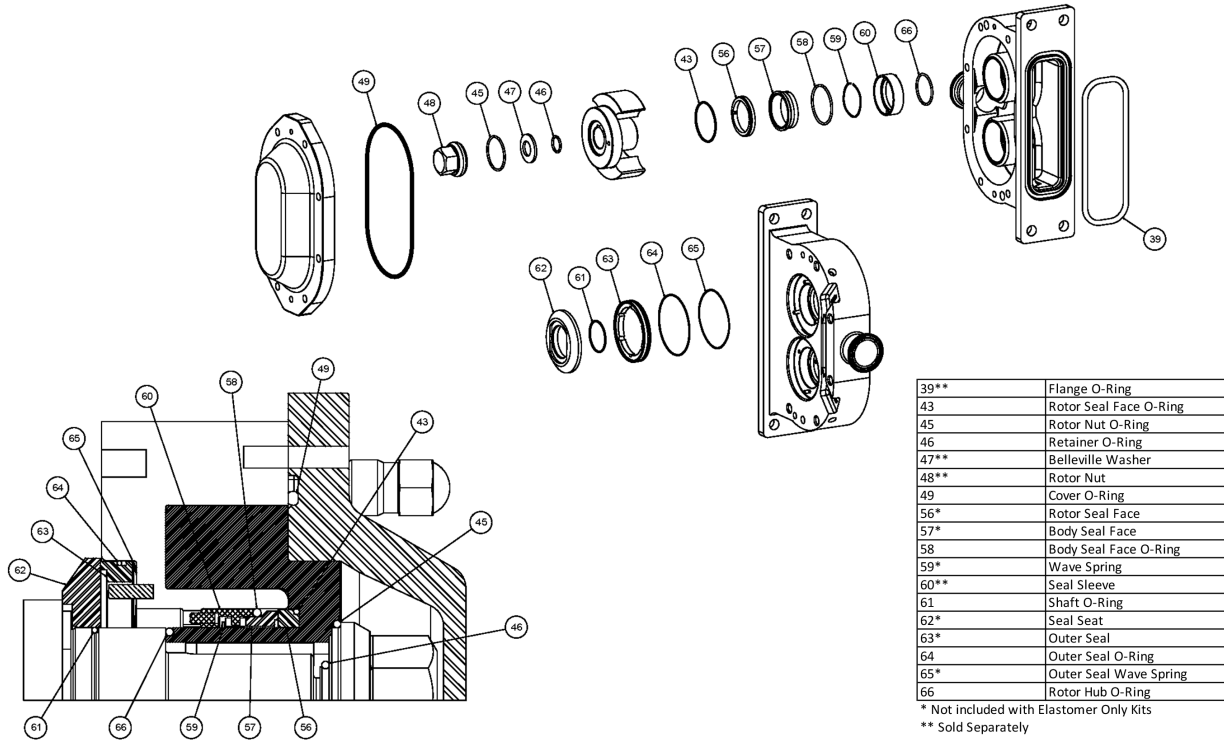
Ref #	Component Item No.	Description	Qty Per
67	P3CVR103672	VENTED FRONT COVER, ZP3 - 180/184/220/224	1
68	P1GXGD0078V00	RUBBER DIAPHRAGM, VITON, ZP1 & ZP2 & ZP3 -180/184/220/224	1
	<i>P1GXGD0078000</i>	<i>RUBBER DIAPHRAGM, BUNA, ZP1 & ZP2 & ZP3 - 180/184/220/224</i>	1
69	P1SXGD0077000	DIAPHRAGM BUSHING, ZP1 & ZP2 & ZP3 - 180/184/220/224	1
70	P1SXGD0073000	SPRING PLUNGER, ZP1 & ZP2 & ZP3 - 180/184/220/224	1
71	P1SX113400	SPRING, MEDIUM, (LESS THAN 150 PSI), ZP1 & ZP2 & ZP3 - 180/184/220/224	1
	<i>P1SX113524</i>	<i>SPRING, HIGH, (MORE THAN 150 PSI), ZP1 & ZP2 & ZP3 - 180/184/220/224</i>	1
72	P1SXGD0075000	COVER NUT, ZP1 & ZP2 & ZP3 - 180/184/220/224	1
73	P1SXGD0074000	LOCKNUT, ZP1 & ZP2 & ZP3 - 60/64/130/134/180/184/220/224	1
74	P1SX113657	ADJUSTING SCREW, ZP1 & ZP2 & ZP3 - 60/64/130/134/180/184/220/224	1



Single Mechanical Seal Kit

Optional Items Shown in ITALICS

Ref #	Component Item No.	Description	Qty Per
1	P3GX220000-V	SEAL KIT, SGL MECH, ELASTOMERS ONLY, VITON - ZP3 180/184/220/224	1
	<i>P3GX220000-N</i>	<i>SEAL KIT, SGL MECH, ELASTOMERS ONLY, BUNA - ZP3 180/184/220/224</i>	<i>1</i>
	<i>P3GX220000-E</i>	<i>SEAL KIT, SGL MECH, ELASTOMERS ONLY, EPDM - ZP3 180/184/220/224</i>	<i>1</i>
3	P3GS220000-V	SEAL KIT, SGL MECH, TC/SC, VITON - ZP3 180/184/220/224	1
	<i>P3GS220000-N</i>	<i>SEAL KIT, SGL MECH, TC/SC, BUNA - ZP3 180/184/220/224</i>	<i>1</i>
	<i>P3GS220000-E</i>	<i>SEAL KIT, SGL MECH, TC/SC, EPDM - ZP3 180/184/220/224</i>	<i>1</i>
47	P2GX101694	BELLEVILLE WASHER, SS - ZP3 180/184/220/224	2
48	P2SX101807	ROTOR NUT - ZP3 180/184/220/224	2
60	P3SX220098000	SEAL SLEEVE, OLD DESIGN - ZP3 224	2



Double Mechanical Seal Kit

Optional Items Shown in ITALICS

Ref #	Component Item No.	Description	Qty Per
1	P3GX220000-V	SEAL KIT, DBL MECH, ELASTOMERS ONLY, VITON - ZP3 180/184/220/224	1
	<i>P3GX220000-N</i>	<i>SEAL KIT, DBL MECH, ELASTOMERS ONLY, BUNA - ZP3 180/184/220/224</i>	<i>1</i>
	<i>P3GX220000-E</i>	<i>SEAL KIT, DBL MECH, ELASTOMERS ONLY, EPDM - ZP3 180/184/220/224</i>	<i>1</i>
3	P3GS220000-V	SEAL KIT, DBL MECH, TC/SC - CE/CA, VITON - ZP3 180/184/220/224	1
	<i>P3GS220000-N</i>	<i>SEAL KIT, DBL MECH, TC/SC - CE/CA, BUNA - ZP3 180/184/220/224</i>	<i>1</i>
	<i>P3GS220000-E</i>	<i>SEAL KIT, DBL MECH, TC/SC - CE/CA, EPDM - ZP3 180/184/220/224</i>	<i>1</i>
5	P3GS220000-V	SEAL KIT, DBL MECH, TC/SC - SC/CA, VITON - ZP3 180/184/220/224	1
	<i>P3GS220000-N</i>	<i>SEAL KIT, DBL MECH, TC/SC - SC/CA, BUNA - ZP3 180/184/220/224</i>	<i>1</i>
	<i>P3GS220000-E</i>	<i>SEAL KIT, DBL MECH, TC/SC - SC/CA, EPDM - ZP3 180/184/220/224</i>	<i>1</i>
47	P2GX101694	BELLEVILLE WASHER, SS - ZP3 180/184/220/224	2
48	P2SX101807	ROTOR NUT - ZP3 180/184/220/224	2
60	P3SX220098000	SEAL SLEEVE, OLD DESIGN - ZP3 224	2



Exploded View

Optional Items Shown in ITALICS

Ref #	Component Item No.	Description	Qty Per
1	P1GX30-50	GEAR CASE COVER BOLT - 3/8-16 X 3/4 HHCS (18-8 SS)	6
2	P1GX43-189	GEAR CASE COVER WASHER - 3/8 FLAT WASHER (18-8 SS)	6
3	P1GXSTD030004	OIL SEAL, GEAR CASE COVER - ZP3 210/214/320/324	1
4	P1SX40669	GEAR CASE COVER, SS - ZP3 210/214/320/324	1
5	P1GXOH1236000	GEAR LOCKNUT - ZP3 210/214/320/324	2
6	P1GXOH1136000	GEAR LOCKWASHER - ZP3 210/214/320/324	2
7	P1GX320007001	GEAR DRIVE SHAFT - ZP3 210/214/320/324	1
8	P1GX320007002	GEAR SHORT SHAFT - ZP3 210/214/320/324	1
9	P2SX105478	GEAR CASE, SS - ZP3 210/214/320/324	1
10	P1SX40288	GEAR CASE BASE, SS - ZP3 210/214/320/324	1
11	P1GX30-250	SHCS, G. CASE BASE, (18-8 SS) 1/2-13 X 1.75" - ZP3 210/214/320/324	4
12	P1GX115798	PLUG,HEX,20M X1.5,W/NBR SEAL	5
13	P1GX115799	GAUGE,OIL,LVL,INDIC,M-20X1.5	1
14	P1GX70PLUG-SS	CLEAN OUT PLUG, SS - ZP3 210/214/320/324	4
15	P1GXBD0092001	GREASE FITTING, THREADED 1/4"-28 TAPER, SS	8
17	P2SX320CEGUARD	GUARD,210/214/320/324,(CE),GC,SS	2
18	P1GX111291	STUD, LONG, ZP3 320/324	4
	P1GX111292	STUD, SHORT, ZP3 320/324	4
19	P1GXOH1116000	DOWEL BUSHING - ZP3 210/214/320/324	2
20	P1GX105871	DOWEL PIN, GEAR BOX SIDE - ZP3 210/214/320/324	2
21	P1GXOH1116000	DOWEL BUSHING - ZP3 210/214/320/324	2
22	P1GX105871	DOWEL PIN, GEAR BOX SIDE - ZP3 210/214/320/324	2
23	P1GX102474	GEAR TO REAR BEARING SPACER - ZP3 210/214/320/324	2
24	P1GX102475	OIL SEAL REAR - ZP3 210/214/320/324	2
25	P1GXOH1036000	REAR BEARING - ZP3 210/214/320/324	2
26	P1GX102472	BEARING SPACER,THICK - ZP3 210/214/320/324	2
	P1GX102473	BEARING SPACER,THIN - ZP3 210/214/320/324	2



Exploded View

Optional Items Shown in ITALICS

Ref #	Component Item No.	Description	Qty Per
27	P1GX117893	SHIM KIT - ZP3 210/214/320/324	2
28	P1GXOH1036003	FRONT BEARING - ZP3 210/214/320/324	2
29	P2SX108417	DRIVE SHAFT (17-4PH) - ZP3 320/324	1
30	P2SX108418	SHORT SHAFT (17-4PH) - ZP3 320/324	1
31	P1GX000037005	DRIVE KEY, 5/8" SQ. X 2" - ZP3 210/214/320/324	1
32	P1GXOH1037000	GEAR KEY - ZP3 210/214/320/324	2
33	P2SX105421	ROTOR KEY - ZP3 320/324	2
34	P1SXOH1080000	BEARING RETAINER - ZP3 210/214/320/324	2
35	P1GXSTD030002	GREASE SEAL FRONT BEARING RET. - ZP3 210/214/320/324	2
36	P1GX30-343	BEARING RETAINER BOLT - 5/16-18 X 1 SHCS (18-8 SS)	8
37	P3BDY320001002	BODY - ZP3 320	1
38	P2GX102438	STOP PIN, SEAL	6
40	P1GXOH1040000	DOWEL PIN, COVER SIDE - ZP3 210/214/320/324	2
41	P1GXOH1040000	DOWEL PIN, COVER SIDE - ZP3 210/214/320/324	2
42	P1GX30-326	BODY RETAINING SCREW, 3/8-16 X 3.5" 18-8 SS - ZP3 210/214	2
44	P3RTB320010C00	ROTOR TWIN BLADE - ALLOY 88 - ZP3 320/324	2
	<i>P3RTB320010C0H</i>	<i>ROTOR TWIN BLADE - ALLOY 88 - ZP3 320/324 - HOT CLEARANCE</i>	2
45	V70237	O-RING, ROTOR NUT (VITON) - ZP3 210/214/320/324	2
	<i>N70237</i>	<i>O-RING, ROTOR NUT (BUNA) - ZP3 210/214/320/324</i>	2
	<i>E70237</i>	<i>O-RING, ROTOR NUT (EPDM) - ZP3 210/214/320/324</i>	2
46	V70125	O-RING, RETAINER (VITON) - ZP3 210/214/320/324	2
	<i>N70125</i>	<i>O-RING, RETAINER (BUNA) - ZP3 210/214/320/324</i>	2
	<i>E70125</i>	<i>O-RING, RETAINER (EPDM) - ZP3 210/214/320/324</i>	2
47	P2GX105411	BELLEVILLE WASHER, SS - ZP3 210/214/320/324	2
48	P2SX105409	ROTOR NUT - ZP3 210/214/320/324	2
49	V70383	O-RING, COVER (EPDM) - ZP3 320/324	1
	<i>N70383</i>	<i>O-RING, COVER (BUNA) - ZP3 320/324</i>	1



Exploded View

Optional Items Shown in ITALICS

Ref #	Component Item No.	Description	Qty Per
49	<i>E70383</i>	<i>O-RING, COVER (VITON) - ZP3 320/324</i>	1
	<i>SE70383</i>	<i>O-RING, COVER (FEP ENCAPSULATED SILICONE) - ZP3 320/324</i>	1
50	P3CVR105406	COVER - ZP3 320/324	1
51	P1GX110858	WING NUT, COVER - ZP3 210/214/320/324	8
	<i>P1SX108373</i>	<i>HEX NUT, COVER - ZP3 210/214/320/324</i>	8
53	P1GXEYEBOLT-SS	EYE BOLT,60-224,SS	3
54	P1GX000CENAIL	DRIVENAIL,ZP,GEAR CASE GUARDS	4
55	P1SX320SPATE	BEARING RETAINER SPLASH PLATE - ZP1 320/324	2
	P1GX30-213	WASHER,210/320,LOCK,10-32	8
	P1GX30-212	CAPSCRW,HX,10-32X1/2,18-8SS	8
60	P3SX320098000	SEAL SLEEVE, NEW DESIGN - ZP3 210/214/320/324	2
66	V70232	O-RING, ROTOR HUB (VITON) - ZP3 210/214/320/324	2
	<i>N70232</i>	<i>O-RING, ROTOR HUB (BUNA) - ZP3 210/214/320/324</i>	2
	<i>E70232</i>	<i>O-RING, ROTOR HUB (EPDM) - ZP3 210/214/320/324</i>	2



Single Mechanical Seal

Optional Items Shown in ITALICS

Ref #	Component Item No.	Description	Qty Per
43	V70153	O-RING, ROTOR SEAL FACE (VITON) ZP3 210/214/320/324	2
	<i>N70153</i>	<i>O-RING, ROTOR SEAL FACE (BUNA) ZP3 210/214/320/324</i>	2
	<i>E70153</i>	<i>O-RING, ROTOR SEAL FACE (EPDM) ZP3 210/214/320/324</i>	2
44	P3RTB320010C00	ROTOR TWIN BLADE - ALLOY 88 - ZP3 320/324	2
	<i>P3RTB320010C0H</i>	<i>ROTOR TWIN BLADE - ALLOY 88 - ZP3 320/324 - HOT CLEARANCE</i>	2
45	V70237	O-RING, ROTOR NUT (VITON) - ZP3 210/214/320/324	2
	<i>N70237</i>	<i>O-RING, ROTOR NUT (BUNA) - ZP3 210/214/320/324</i>	2
	<i>E70237</i>	<i>O-RING, ROTOR NUT (EPDM) - ZP3 210/214/320/324</i>	2
46	V70125	O-RING, RETAINER (VITON) - ZP3 210/214/320/324	2
	<i>N70125</i>	<i>O-RING, RETAINER (BUNA) - ZP3 210/214/320/324</i>	2
	<i>E70125</i>	<i>O-RING, RETAINER (EPDM) - ZP3 210/214/320/324</i>	2
47	P2GX105411	BELLEVILLE WASHER, SS - ZP3 210/214/320/324	2
48	P2SX105409	ROTOR NUT - ZP3 210/214/320/324	2
49	V70383	O-RING, COVER (EPDM) - ZP3 320/324	1
	<i>N70383</i>	<i>O-RING, COVER (BUNA) - ZP3 320/324</i>	1
	<i>E70383</i>	<i>O-RING, COVER (VITON) - ZP3 320/324</i>	1
	<i>SE70383</i>	<i>O-RING, COVER (FEP ENCAPSULATED SILICONE) - ZP3 320/324</i>	1
56	P3GS320014009	ROTOR SEAL FACE (C) - ZP3 210/214/320/324	2
	<i>P3GS320014000</i>	<i>ROTOR SEAL FACE (TC) - ZP3 210/214/320/324</i>	2
57	P3GS320306000	BODY SEAL FACE (TC) - ZP3 210/214/320/324	2
58	V70342	O-RING, BODY SEAL FACE (VITON) - ZP3 210/214/320/324	2
	<i>E70342</i>	<i>O-RING, BODY SEAL FACE (EPDM) - ZP3 210/214/320/324</i>	2
59	P3GS320304000	SEAL WAVE SPRING - ZP3 210/214/320/324	2
60	P3SX320098000	SEAL SLEEVE, NEW DESIGN - ZP3 210/214/320/324	2



Double Mechanical Seal

Optional Items Shown in ITALICS

Ref #	Component Item No.	Description	Qty Per
43	V70153	O-RING, ROTOR SEAL FACE (VITON) ZP3 210/214/320/324	2
	<i>N70153</i>	<i>O-RING, ROTOR SEAL FACE (BUNA) ZP3 210/214/320/324</i>	2
	<i>E70153</i>	<i>O-RING, ROTOR SEAL FACE (EPDM) ZP3 210/214/320/324</i>	2
44	P3RTB320010C00	ROTOR TWIN BLADE - ALLOY 88 - ZP3 320/324	2
	<i>P3RTB320010C0H</i>	<i>ROTOR TWIN BLADE - ALLOY 88 - ZP3 320/324 - HOT CLEARANCE</i>	2
45	V70237	O-RING, ROTOR NUT (VITON) - ZP3 210/214/320/324	2
	<i>N70237</i>	<i>O-RING, ROTOR NUT (BUNA) - ZP3 210/214/320/324</i>	2
	<i>E70237</i>	<i>O-RING, ROTOR NUT (EPDM) - ZP3 210/214/320/324</i>	2
46	V70125	O-RING, RETAINER (VITON) - ZP3 210/214/320/324	2
	<i>N70125</i>	<i>O-RING, RETAINER (BUNA) - ZP3 210/214/320/324</i>	2
	<i>E70125</i>	<i>O-RING, RETAINER (EPDM) - ZP3 210/214/320/324</i>	2
47	P2GX105411	BELLEVILLE WASHER, SS - ZP3 210/214/320/324	2
48	P2SX105409	ROTOR NUT - ZP3 210/214/320/324	2
49	V70383	O-RING, COVER (EPDM) - ZP3 320/324	1
	<i>N70383</i>	<i>O-RING, COVER (BUNA) - ZP3 320/324</i>	1
	<i>E70383</i>	<i>O-RING, COVER (VITON) - ZP3 320/324</i>	1
	<i>SE70383</i>	<i>O-RING, COVER (FEP ENCAPSULATED SILICONE) - ZP3 320/324</i>	1
56	P3GS320014009	ROTOR SEAL FACE (C) - ZP3 210/214/320/324	2
	<i>P3GS320014000</i>	<i>ROTOR SEAL FACE (TC) - ZP3 210/214/320/324</i>	2
57	P3GS320306000	BODY SEAL FACE (TC) - ZP3 210/214/320/324	2
58	V70342	O-RING, BODY SEAL FACE (VITON) - ZP3 210/214/320/324	2
	<i>E70342</i>	<i>O-RING, BODY SEAL FACE (EPDM) - ZP3 210/214/320/324</i>	2
59	P3GS320304000	SEAL WAVE SPRING - ZP3 210/214/320/324	2
60	P3SX320098000	SEAL SLEEVE, NEW DESIGN - ZP3 210/214/320/324	2
61	V70149	O-RING, SHAFT (VITON) - ZP3 210/214/320/324	2
	<i>N70149</i>	<i>O-RING, SHAFT (BUNA) - ZP3 210/214/320/324</i>	2
	<i>E70149</i>	<i>O-RING, SHAFT (EPDM) - ZP 210/214/320/324</i>	2



Double Mechanical Seal

Optional Items Shown in ITALICS

Ref #	Component Item No.	Description	Qty Per
62	P2GS105416	SEAL SEAT (K) - ZP3 210/214/320/324	2
	<i>P2GS105417</i>	<i>SEAL SEAT (C) - ZP3 210/214/320/324</i>	<i>2</i>
63	P2GS105418	OUTER SEAL (N) - ZP3 210/214/320/324	2
64	V70160	O-RING, OUTER SEAL (VITON) - ZP3 210/214/320/324	2
	<i>N70160</i>	<i>O-RING, OUTER SEAL (BUNA) - ZP3 210/214/320/324</i>	<i>2</i>
	<i>E70160</i>	<i>O-RING, OUTER SEAL (EPDM) - ZP3 210/214/320/324</i>	<i>2</i>
65	P2GS105420	OUTER SEAL WAVE SPRING - ZP3 210/214/320/324	2



Double Mechanical Seal Kit

Optional Items Shown in ITALICS

Ref #	Component Item No.	Description	Qty Per
3	<i>P3GS320000-V</i>	<i>SEAL KIT, DBL MECH, TC/SC - CE/CA, VITON - ZP3 320/324</i>	1
	<i>P3GS320000-V</i>	<i>SEAL KIT, SGL MECH, TC/SC, VITON - ZP3 320/324</i>	1
5	<i>P3GS320000-V</i>	<i>SEAL KIT, DBL MECH, TC/SC - SC/CA, VITON - ZP3 320/324</i>	1



Exploded View

Optional Items Shown in ITALICS

Ref #	Component Item No.	Description	Qty Per
1	P1GX30-50	GEAR CASE COVER BOLT - 3/8-16 X 3/4 HHCS (18-8 SS)	6
2	P1GX43-189	GEAR CASE COVER WASHER - 3/8 FLAT WASHER (18-8 SS)	6
3	P1GXSTD030004	OIL SEAL, GEAR CASE COVER - ZP3 210/214/320/324	1
4	P1SX40669	GEAR CASE COVER, SS - ZP3 210/214/320/324	1
5	P1GXOH1236000	GEAR LOCKNUT - ZP3 210/214/320/324	2
6	P1GXOH1136000	GEAR LOCKWASHER - ZP3 210/214/320/324	2
7	P1GX320007001	GEAR DRIVE SHAFT - ZP3 210/214/320/324	1
8	P1GX320007002	GEAR SHORT SHAFT - ZP3 210/214/320/324	1
9	P2SX105478	GEAR CASE, SS - ZP3 210/214/320/324	1
10	P1SX40288	GEAR CASE BASE, SS - ZP3 210/214/320/324	1
11	P1GX30-250	SHCS, G. CASE BASE, (18-8 SS) 1/2-13 X 1.75" - ZP3 210/214/320/324	4
12	P1GX115798	PLUG,HEX,20M X1.5,W/NBR SEAL	5
13	P1GX115799	GAUGE,OIL,LVL,INDIC,M-20X1.5	1
14	P1GX70PLUG-SS	CLEAN OUT PLUG, SS - ZP3 210/214/320/324	4
15	P1GXBD0092001	GREASE FITTING, THREADED 1/4"-28 TAPER, SS	8
17	P2SX320CEGUARD	GUARD,210/214/320/324,(CE),GC,SS	2
18	P1GX111292	STUD, SHORT, ZP3 320/324	4
	P1GX111291	STUD, LONG, ZP3 320/324	4
19	P1GXOH1116000	DOWEL BUSHING - ZP3 210/214/320/324	2
20	P1GX105871	DOWEL PIN, GEAR BOX SIDE - ZP3 210/214/320/324	2
21	P1GXOH1116000	DOWEL BUSHING - ZP3 210/214/320/324	2
22	P1GX105871	DOWEL PIN, GEAR BOX SIDE - ZP3 210/214/320/324	2
23	P1GX102474	GEAR TO REAR BEARING SPACER - ZP3 210/214/320/324	2
24	P1GX102475	OIL SEAL REAR - ZP3 210/214/320/324	2
25	P1GXOH1036000	REAR BEARING - ZP3 210/214/320/324	2
26	P1GX102473	BEARING SPACER,THIN - ZP3 210/214/320/324	2
	P1GX102472	BEARING SPACER,THICK - ZP3 210/214/320/324	2



Exploded View

Optional Items Shown in ITALICS

Ref #	Component Item No.	Description	Qty Per
27	P1GX117893	SHIM KIT - ZP3 210/214/320/324	2
28	P1GXOH1036003	FRONT BEARING - ZP3 210/214/320/324	2
29	P2SX108417	DRIVE SHAFT (17-4PH) - ZP3 320/324	1
30	P2SX108418	SHORT SHAFT (17-4PH) - ZP3 320/324	1
31	P1GX000037005	DRIVE KEY, 5/8" SQ. X 2" - ZP3 210/214/320/324	1
32	P1GXOH1037000	GEAR KEY - ZP3 210/214/320/324	2
33	P2SX105421	ROTOR KEY - ZP3 320/324	2
34	P1SXOH1080000	BEARING RETAINER - ZP3 210/214/320/324	2
35	P1GXSTD030002	GREASE SEAL FRONT BEARING RET. - ZP3 210/214/320/324	2
36	P1GX30-343	BEARING RETAINER BOLT - 5/16-18 X 1 SHCS (18-8 SS)	8
37	P3BDY324001002	BODY - ZP3 324	1
38	P2GX102438	STOP PIN, SEAL	6
39	V70378	O-RING, RECTANGULAR FLANGE (VITON) - ZP3 324	1
	<i>N70378</i>	<i>O-RING, RECTANGULAR FLANGE (BUNA) - ZP3 324</i>	1
40	P1GXOH1040000	DOWEL PIN, COVER SIDE - ZP3 210/214/320/324	2
41	P1GXOH1040000	DOWEL PIN, COVER SIDE - ZP3 210/214/320/324	2
42	P1GX30-326	BODY RETAINING SCREW, 3/8-16 X 3.5" 18-8 SS - ZP3 210/214	2
44	P3RTB320010C00	ROTOR TWIN BLADE - ALLOY 88 - ZP3 320/324	2
	<i>P3RTB320010C0H</i>	<i>ROTOR TWIN BLADE - ALLOY 88 - ZP3 320/324 - HOT CLEARANCE</i>	2
45	V70237	O-RING, ROTOR NUT (VITON) - ZP3 210/214/320/324	2
	<i>N70237</i>	<i>O-RING, ROTOR NUT (BUNA) - ZP3 210/214/320/324</i>	2
	<i>E70237</i>	<i>O-RING, ROTOR NUT (EPDM) - ZP3 210/214/320/324</i>	2
46	V70125	O-RING, RETAINER (VITON) - ZP3 210/214/320/324	2
	<i>N70125</i>	<i>O-RING, RETAINER (BUNA) - ZP3 210/214/320/324</i>	2
	<i>E70125</i>	<i>O-RING, RETAINER (EPDM) - ZP3 210/214/320/324</i>	2
47	P2GX105411	BELLEVILLE WASHER, SS - ZP3 210/214/320/324	2
48	P2SX105409	ROTOR NUT - ZP3 210/214/320/324	2



Exploded View

Optional Items Shown in ITALICS

Ref #	Component Item No.	Description	Qty Per
49	V70383	O-RING, COVER (EPDM) - ZP3 320/324	1
	<i>N70383</i>	<i>O-RING, COVER (BUNA) - ZP3 320/324</i>	<i>1</i>
	<i>E70383</i>	<i>O-RING, COVER (VITON) - ZP3 320/324</i>	<i>1</i>
	<i>SE70383</i>	<i>O-RING, COVER (FEP ENCAPSULATED SILICONE) - ZP3 320/324</i>	<i>1</i>
50	P3CVR105406	COVER - ZP3 320/324	1
51	P1GX110858	WING NUT, COVER - ZP3 210/214/320/324	8
	<i>P1SX108373</i>	<i>HEX NUT, COVER - ZP3 210/214/320/324</i>	<i>8</i>
53	P1GXEYEBOLT-SS	EYE BOLT,60-224,SS	3
54	P1GX000CENAIL	DRIVENAIL,ZP,GEAR CASE GUARDS	4
55	P1SX320SPLATE	BEARING RETAINER SPLASH PLATE - ZP1 320/324	2
	P1GX30-212	CAPSCRW,HX,10-32X1/2,18-8SS	8
	P1GX30-213	WASHER,210/320,LOCK,10-32	8
60	P3SX320098000	SEAL SLEEVE, NEW DESIGN - ZP3 210/214/320/324	2
66	V70232	O-RING, ROTOR HUB (VITON) - ZP3 210/214/320/324	2
	<i>N70232</i>	<i>O-RING, ROTOR HUB (BUNA) - ZP3 210/214/320/324</i>	<i>2</i>
	<i>E70232</i>	<i>O-RING, ROTOR HUB (EPDM) - ZP3 210/214/320/324</i>	<i>2</i>



Single Mechanical Seal

Optional Items Shown in ITALICS

Ref #	Component Item No.	Description	Qty Per
43	V70153	O-RING, ROTOR SEAL FACE (VITON) ZP3 210/214/320/324	2
	<i>N70153</i>	<i>O-RING, ROTOR SEAL FACE (BUNA) ZP3 210/214/320/324</i>	<i>2</i>
	<i>E70153</i>	<i>O-RING, ROTOR SEAL FACE (EPDM) ZP3 210/214/320/324</i>	<i>2</i>
44	P3RTB320010C00	ROTOR TWIN BLADE - ALLOY 88 - ZP3 320/324	2
	<i>P3RTB320010C0H</i>	<i>ROTOR TWIN BLADE - ALLOY 88 - ZP3 320/324 - HOT CLEARANCE</i>	<i>2</i>
45	V70237	O-RING, ROTOR NUT (VITON) - ZP3 210/214/320/324	2
	<i>N70237</i>	<i>O-RING, ROTOR NUT (BUNA) - ZP3 210/214/320/324</i>	<i>2</i>
	<i>E70237</i>	<i>O-RING, ROTOR NUT (EPDM) - ZP3 210/214/320/324</i>	<i>2</i>
46	V70125	O-RING, RETAINER (VITON) - ZP3 210/214/320/324	2
	<i>N70125</i>	<i>O-RING, RETAINER (BUNA) - ZP3 210/214/320/324</i>	<i>2</i>
	<i>E70125</i>	<i>O-RING, RETAINER (EPDM) - ZP3 210/214/320/324</i>	<i>2</i>
47	P2GX105411	BELLEVILLE WASHER, SS - ZP3 210/214/320/324	2
48	P2SX105409	ROTOR NUT - ZP3 210/214/320/324	2
49	V70383	O-RING, COVER (EPDM) - ZP3 320/324	1
	<i>N70383</i>	<i>O-RING, COVER (BUNA) - ZP3 320/324</i>	<i>1</i>
	<i>E70383</i>	<i>O-RING, COVER (VITON) - ZP3 320/324</i>	<i>1</i>
	<i>SE70383</i>	<i>O-RING, COVER (FEP ENCAPSULATED SILICONE) - ZP3 320/324</i>	<i>1</i>
56	P3GS320014009	ROTOR SEAL FACE (C) - ZP3 210/214/320/324	2
	<i>P3GS320014000</i>	<i>ROTOR SEAL FACE (TC) - ZP3 210/214/320/324</i>	<i>2</i>
57	P3GS320306000	BODY SEAL FACE (TC) - ZP3 210/214/320/324	2
58	V70342	O-RING, BODY SEAL FACE (VITON) - ZP3 210/214/320/324	2
	<i>E70342</i>	<i>O-RING, BODY SEAL FACE (EPDM) - ZP3 210/214/320/324</i>	<i>2</i>
59	P3GS320304000	SEAL WAVE SPRING - ZP3 210/214/320/324	2
60	P3SX320098000	SEAL SLEEVE, NEW DESIGN - ZP3 210/214/320/324	2



Double Mechanical Seal

Optional Items Shown in ITALICS

Ref #	Component Item No.	Description	Qty Per
43	V70153	O-RING, ROTOR SEAL FACE (VITON) ZP3 210/214/320/324	2
	<i>N70153</i>	<i>O-RING, ROTOR SEAL FACE (BUNA) ZP3 210/214/320/324</i>	2
	<i>E70153</i>	<i>O-RING, ROTOR SEAL FACE (EPDM) ZP3 210/214/320/324</i>	2
44	P3RTB320010C00	ROTOR TWIN BLADE - ALLOY 88 - ZP3 320/324	2
	<i>P3RTB320010C0H</i>	<i>ROTOR TWIN BLADE - ALLOY 88 - ZP3 320/324 - HOT CLEARANCE</i>	2
45	V70237	O-RING, ROTOR NUT (VITON) - ZP3 210/214/320/324	2
	<i>N70237</i>	<i>O-RING, ROTOR NUT (BUNA) - ZP3 210/214/320/324</i>	2
	<i>E70237</i>	<i>O-RING, ROTOR NUT (EPDM) - ZP3 210/214/320/324</i>	2
46	V70125	O-RING, RETAINER (VITON) - ZP3 210/214/320/324	2
	<i>N70125</i>	<i>O-RING, RETAINER (BUNA) - ZP3 210/214/320/324</i>	2
	<i>E70125</i>	<i>O-RING, RETAINER (EPDM) - ZP3 210/214/320/324</i>	2
47	P2GX105411	BELLEVILLE WASHER, SS - ZP3 210/214/320/324	2
48	P2SX105409	ROTOR NUT - ZP3 210/214/320/324	2
49	V70383	O-RING, COVER (EPDM) - ZP3 320/324	1
	<i>N70383</i>	<i>O-RING, COVER (BUNA) - ZP3 320/324</i>	1
	<i>E70383</i>	<i>O-RING, COVER (VITON) - ZP3 320/324</i>	1
	<i>SE70383</i>	<i>O-RING, COVER (FEP ENCAPSULATED SILICONE) - ZP3 320/324</i>	1
56	P3GS320014009	ROTOR SEAL FACE (C) - ZP3 210/214/320/324	2
	<i>P3GS320014000</i>	<i>ROTOR SEAL FACE (TC) - ZP3 210/214/320/324</i>	2
57	P3GS320306000	BODY SEAL FACE (TC) - ZP3 210/214/320/324	2
58	V70342	O-RING, BODY SEAL FACE (VITON) - ZP3 210/214/320/324	2
	<i>E70342</i>	<i>O-RING, BODY SEAL FACE (EPDM) - ZP3 210/214/320/324</i>	2
59	P3GS320304000	SEAL WAVE SPRING - ZP3 210/214/320/324	2
60	P3SX320098000	SEAL SLEEVE, NEW DESIGN - ZP3 210/214/320/324	2
61	V70149	O-RING, SHAFT (VITON) - ZP3 210/214/320/324	2
	<i>N70149</i>	<i>O-RING, SHAFT (BUNA) - ZP3 210/214/320/324</i>	2
	<i>E70149</i>	<i>O-RING, SHAFT (EPDM) - ZP 210/214/320/324</i>	2



Double Mechanical Seal

Optional Items Shown in ITALICS

Ref #	Component Item No.	Description	Qty Per
62	P2GS105416	SEAL SEAT (K) - ZP3 210/214/320/324	2
	<i>P2GS105417</i>	<i>SEAL SEAT (C) - ZP3 210/214/320/324</i>	<i>2</i>
63	P2GS105418	OUTER SEAL (N) - ZP3 210/214/320/324	2
64	V70160	O-RING, OUTER SEAL (VITON) - ZP3 210/214/320/324	2
	<i>N70160</i>	<i>O-RING, OUTER SEAL (BUNA) - ZP3 210/214/320/324</i>	<i>2</i>
	<i>E70160</i>	<i>O-RING, OUTER SEAL (EPDM) - ZP3 210/214/320/324</i>	<i>2</i>
65	P2GS105420	OUTER SEAL WAVE SPRING - ZP3 210/214/320/324	2



Double Mechanical Seal Kit

Optional Items Shown in ITALICS

Ref #	Component Item No.	Description	Qty Per
3	<i>P3GS320000-V</i>	<i>SEAL KIT, DBL MECH, TC/SC - CE/CA, VITON - ZP3 320/324</i>	1
	<i>P3GS320000-V</i>	<i>SEAL KIT, SGL MECH, TC/SC, VITON - ZP3 320/324</i>	1
5	<i>P3GS320000-V</i>	<i>SEAL KIT, DBL MECH, TC/SC - SC/CA, VITON - ZP3 320/324</i>	1