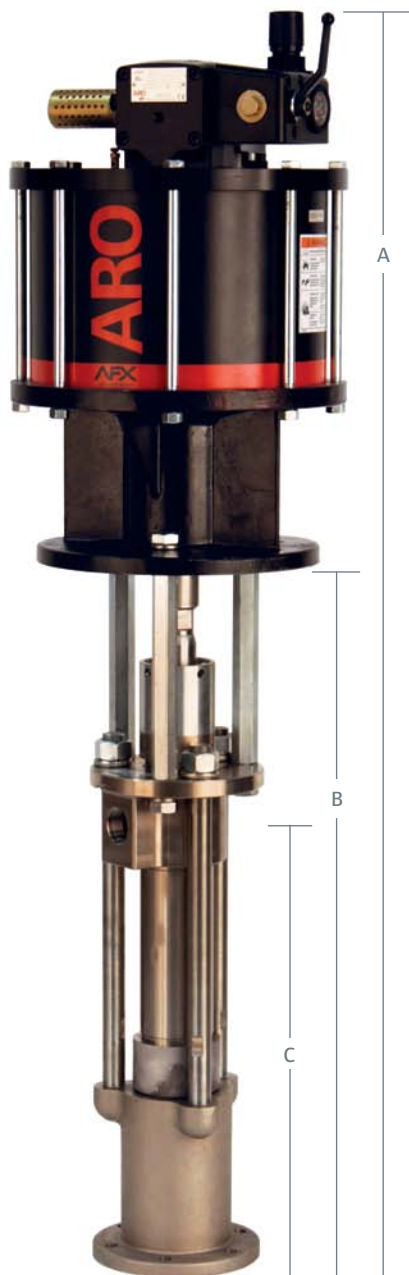


AF1265 Series Pumps

65:1 Ratio, 12" Air Motor, Chop-Check Lower End



(Model shown w/ball valve regulator)

Pump Specifications	
Ratio	65:1
Stroke (double acting)	6" (15.24 cm)
Material Inlet	Flange Mount
Material Outlet	1-1/4" NPT(F)
Air Inlet (female)	3/4" NPT(F)
Air Inlet Pressure Range psi (bar)	30 - 90 (2.1 - 6.2)
Fluid Pressure Range psi (bar)	1950 - 5850 (134.5 - 403.4)
Max Cycles/Minute	70
Displacement/Cycle cu in (cm3)	20.0 (327.8)
Cycles/gal (L)	11.5 (3.0)
Flow @ 70 Cycles gpm (L/min)	6.0 (22.9)
Noise Level @ 60 psi dBA	93
Weight* lb (kg)	165 (74.8)
Container Suitability	Remote Mounting

*Estimated weight. Contact Technical Support for exact weight.



Transfer and Supply



Extrusion

Materials

Caulking	Mastics	Sealants
Inks	Heavy Lubricants	



Chop-Check Lower End Style

- Capable of moving medium- to high-viscosity fluids ranging from 15,000 to more than 1,000,000 cPs.
- Material delivery rates up to 12.2 gpm (46.3 L/min)

Pump Model**	Plunger Material	Upper Packings	Lower Packings	Lower Pump Model	Pump Service Kit
Lower Pump Model Material - Carbon Steel, Nickel Plated					
AF1265S11PF17	17-4 Stainless Steel w/Hard Chrome	Polyurethane	UHMW-PE	67300-J3D	637348-J3D
AF1265S11FF47	17-4 Stainless Steel w/Hard Chrome	UHMW-PE	UHMW-PE	67300-C4D	637348-C4D

**Add "-1" to Model No. for Ball Valve Regulator

RECOMMENDED ACCESSORIES

67445-5 Muffler Kit	66334-B Wet-Sol Packing Lubricant	23644-400 ARO-Stop Valve	65139 Floor Mount	67442 Ball Valve Regulator	637489 Universal Air Motor Service Kit

DIMENSIONS	
A ¹ in (mm)	53.46 (1357.88)
B in (mm)	30.38 (771.65)
C in (mm)	19.25 (488.95)

¹For models without ball valve regulator subtract 2.08 in (52.83 mm)

For manuals, flow curves, and more



For simple pump selection or application assistance




65:1 Ratio Pump Packages



TPX Series
Two Post Ram

55
GALLON

Packages						
Model No.	Package Type	Pump Model	Ram/Lift Model	Follower	Follower Description	Material
TP1265S51PF17AA2	55 Gallon Two Post Ram	AF1265S11PF17	RM552S-C	66517-1	Double Lip, Polyurethane	Aluminum
TP1265S51FF47AN2	55 Gallon Two Post Ram	AF1265S11FF47	RM552S-C	67196-2	Double Tube, EPR	Aluminum

RECOMMENDED ACCESSORIES



Extrusion Guns

651500 For material over 200,000 cP 3/8" (F) inlet
651533 For low- to medium-viscosity fluids 1/4" NPS (M) inlet



Extrusion Gun Nozzle Kits

66541-6 Orifice .063" (1.63 mm), **66541-9** Orifice .093" (2.36 mm),
66541-2 Orifice .125" (3.17 mm)



Swivel

636085 Straight, 3/8" (M) x 3/8" (F) / fabric with neoprene / 8,000 psi (552 bar) max. working pressure
636088 Z-360°, 3/8" (M) x 3/8" (F) / fabric with neoprene / 8,000 psi (552 bar) max. working pressure
75364 Straight, for use with 651533 gun / 1/4"-18 NPTF to 1/4"-18 NPSM / 10,000 psi (690 bar) max working pressure



Material Filters

1" F (2) inlet 3/8" F (3) outlet / 6,000 psi (414 bar) max. / Carbon Steel
651418-40-B for 40 Mesh (375 Microns)
651418-70-B for 70 Mesh (200 Microns)



3/4" Fluid Pressure Regulators

651780-C1B-B Regulated 750 – 2,500 psi (52 – 173 bar) / 6,000 psi (414 bar) max. inlet / carbon steel
651780-C1C-B Regulated 2,000 – 5,000 psi (138 – 345 bar) / 6,000 psi (414 bar) max. inlet / carbon steel
651780-C3B-B Regulated 750 – 2,500 psi (52 – 173 bar) / 6,000 psi (414 bar) max. inlet / stainless steel
651780-C3R-B Regulated 750 – 5,000 psi (52 – 345 bar) / 6,000 psi (414 bar) max. inlet / stainless steel

Other Accessories & Repair Kits

62274	Air Line Oil
96916	Standard Air Motor Muffler
66333-B	Wet-Sol (1 Quart)
66354-1	Stabilizing Bracket
637489	Universal Air Motor Service Kit
637491	55 Gallon Two Post Ram Repair Kit (RM552S-X)
67448	Cross Over Kit
67500	Low-Level Cut-Off Kit