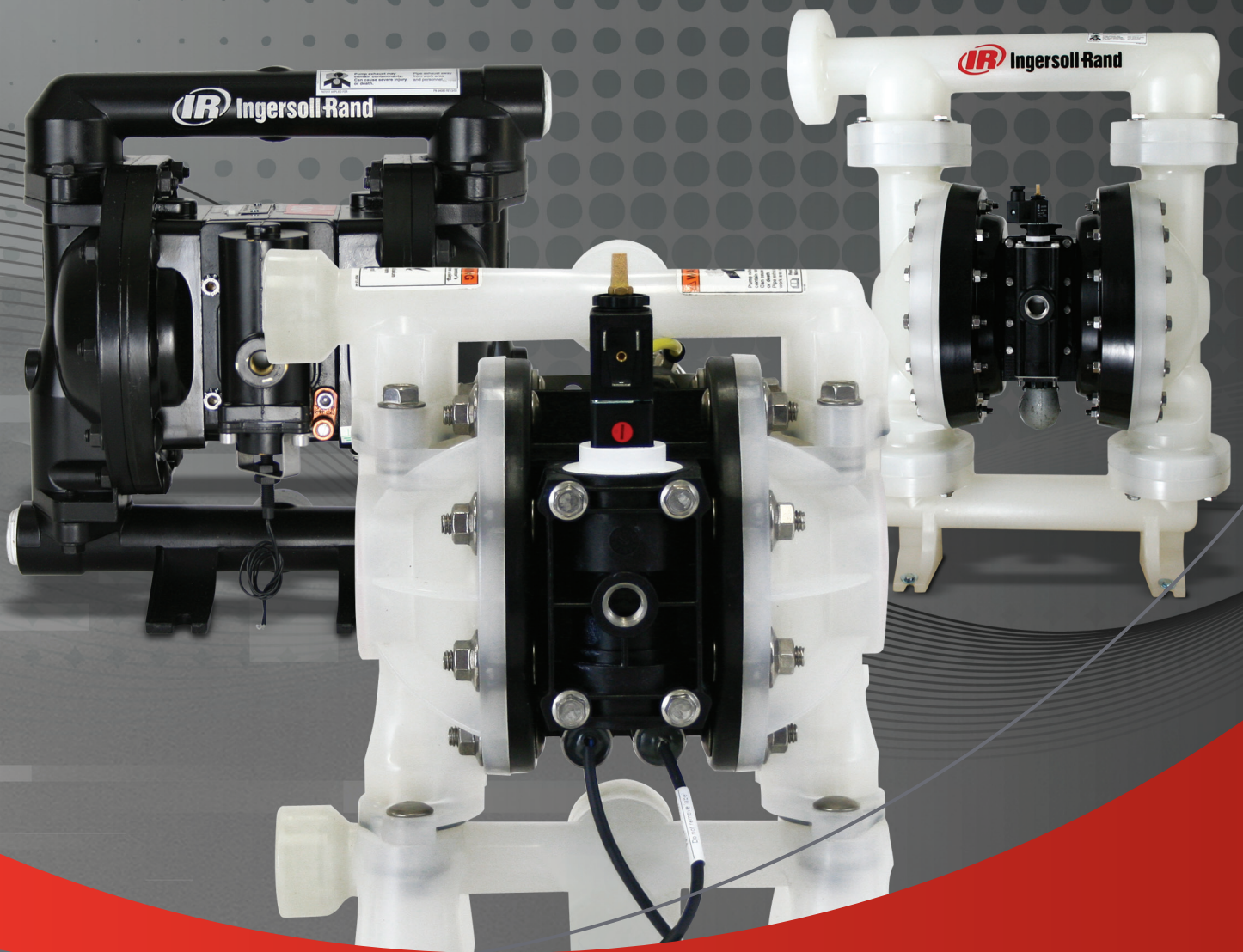


# ARO<sup>®</sup>

## *Electronic Interface Pump*

*A New Generation of Fluid Pumps. A New Definition of Fluid Control.*



**IR** Ingersoll Rand<sup>®</sup>





## Reliable Fluid Dosing Right Out of the Box.

For over 80 years, the name ARO has symbolized fluid pumps that consistently make processes more efficient and productive. Now, we introduce the next evolution of air-operated diaphragm pumps with the most accurate, electronically controlled dosing available and customization that's as easy as 1, 2, 3.



Automated Car Wash

Paint Formulation

Commercial Laundry

With its best-in-class design and internal solenoid valve, the ARO Electronic Interface pump assures consistent flow rates, easy maintenance, and pinpoint control for a myriad of fluids and applications. Add reliable leak detection, an end-of-stroke sensor and cycle sensing, and you have a custom electronic interface pump right off the shelf.

We're also committed to providing out-of-the-box OEM solutions and have developed partnerships with more than 200 original equipment manufacturers and distributors. By merging our partners' application experience with our expertise in cutting-edge pump design, we can meet the unique needs of many industries.



# *The Perfect Pump, Perfectly Fitted to Each Application.*

Trust Ingersoll Rand to engineer an out-of-the box solution with advantages that meet all application requirements.

- Factory-installed options that make installation easy and cost-efficient
- Reliable consistency for applications that demand meticulous dosing
- Built-in solenoid control that seamlessly integrates with other electronic components
- Maximum flow rates and minimum air consumption for high-performance
- Internal cycle counter to track end-of-stroke feedback and pump data
- Leak detection system to detect diaphragm failure and reduce costly downtime
- Hassle-free installation with preassembled components to minimize errors
- Lube-free design and fewer parts for easy maintenance and repairs
- Multiple sizes to accommodate virtually any process, type of fluid or viscosity
- Five-year warranty for added confidence
- ATEX-compliance (including all voltage options) to assure safety



**The ARO Electronic Interface pump dispenses a wide range of fluids from chemicals and detergents to waxes and inks, making it ideal for many industries.**

# So Intuitive, It Practically Controls Itself.

Feature-rich, the ARO Electronic Interface pump offers advantages that make it an invaluable part of any operation.

## PRECISION

Our unique design and built-in solenoid offer pinpoint accuracy. Add an end-of-stroke sensor, and you gain even greater control.



## SAFETY

With bolted construction and optional leak detection sensors that immediately indicate a breach of fluid, you protect your employees and your reputation. We also offer ATEX-compliant models for safety on a global scale.



## VERSATILITY

A wide range of port sizes, construction materials and solenoid options help you tailor the ARO Electronic Interface pump to almost any process or application.



## RELIABILITY

Backed by stringent testing protocols, our pumps work over-time with proven controls and convoluted diaphragms that last up to four times longer than standard diaphragms.



## VALUE

Only ARO offers a custom pump without the traditional custom cost. When you consider increased efficiency, minimal downtime, fewer parts, low maintenance, renowned performance and our exclusive five-year warranty, the ARO Electronic Interface pump offers unsurpassed value and peace of mind.

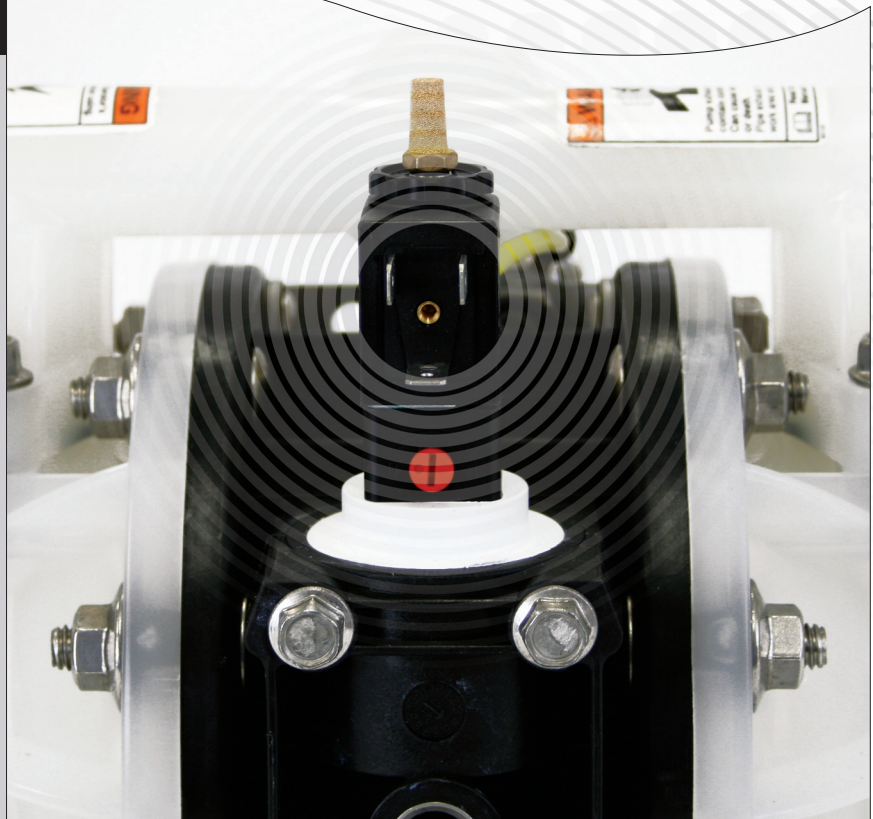


## MAXIMUM CONTROL

Our exclusive solenoid valve allows you to control cycling and capture data with every stroke. An electrical signal from pressure sensors, PLCs, or a simple line switch activates the valve which supplies air to the large end of the unbalanced valve, allowing the pump to cycle. Once the signal stops, the pump's air valve resets, completing the cycle. By providing continuous on-off signals to the solenoid, you also can control the cycle rate remotely. *(Detailed solenoid/sensor specifications can be found at [www.ingersollrandproducts.com/am-en/products/fluid/diaphragm-pumps/electronic\\_interface\\_pumps/electronic\\_interface\\_pump](http://www.ingersollrandproducts.com/am-en/products/fluid/diaphragm-pumps/electronic_interface_pumps/electronic_interface_pump).)*

### NOTE:

ATEX-compliant valve available.





# Out-of-the-Box Innovation.

The ARO Electronic Interface Diaphragm pump not only includes top design features of our other ARO models, but represents the first air-operated pump preconfigured to provide custom control.

- Bolted construction for extra safety
- Externally mounted pressure switch for end-of-stroke detection
- Solenoid valve conveniently mounted directly to pump's major valve
- Leak detectors with infrared light sensors that immediately identify potential problems
- Ribless caps for easy clean-up\*
- Corrosion-resistant body and motor
- Convoluted diaphragms that last up to four times longer than traditional diaphragms
- Simul-Shift™ valve that ensures faster trip-over and smooth flow\*
- Patented Quick-Dump valves that prevent icing and stalling\*
- Cycle counter to monitor flow rates, pump operation and maintenance needs

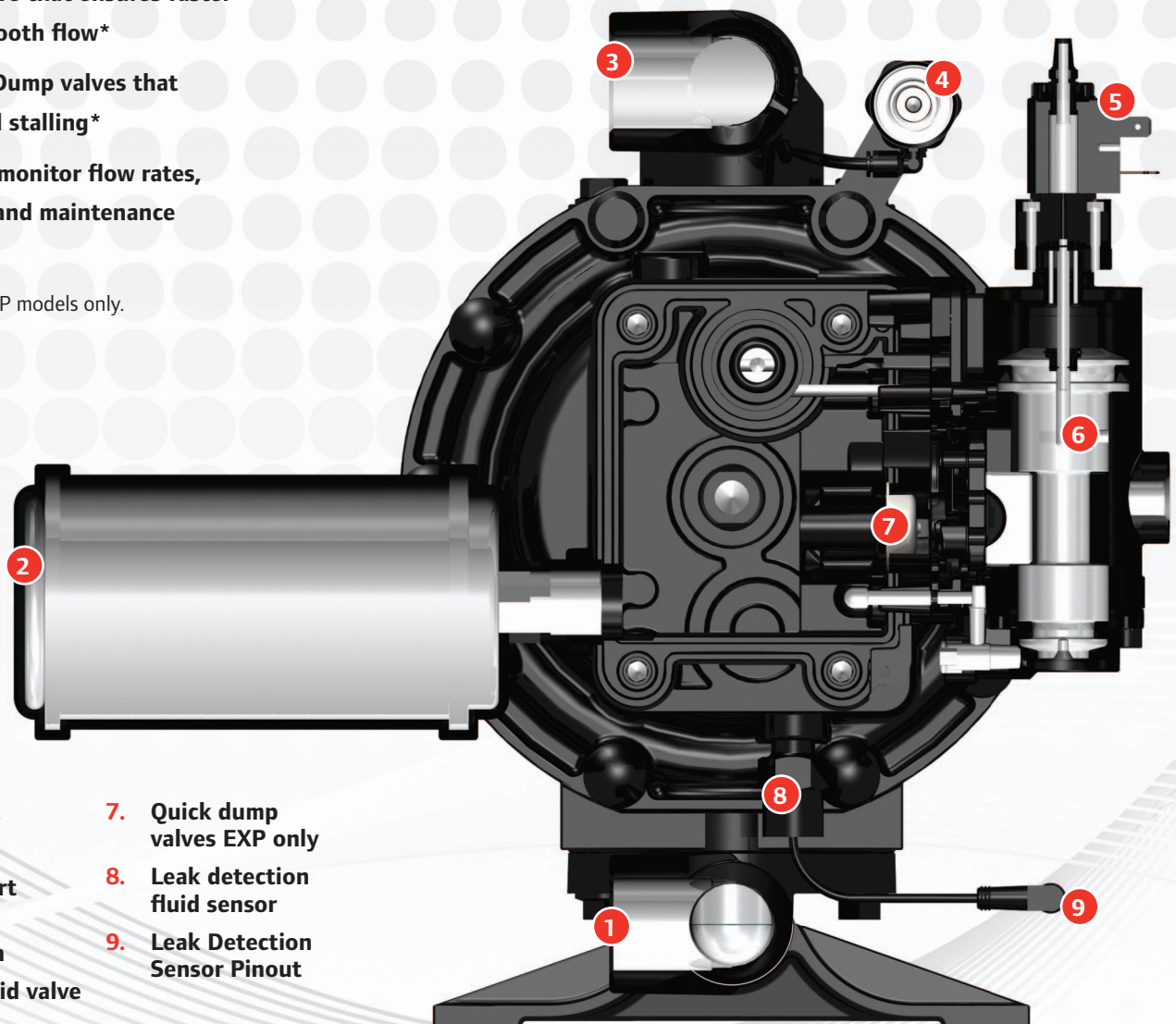
\* Available in 1"-3" EXP models only.

## Typical Applications

- Bulk fluid transfer and circulation
- Batching and mixing
- Chemical transfer
- Fluid filtration
- Coatings
- Metering and dispensing

## OEM Applications

- Chemical injection systems
- Commercial laundry
- Paint formulation
- Ink formulation
- Carwash fluid dispensing



1. Fluid inlet port
2. Muffler
3. Fluid outlet port
4. End of stroke pressure switch
5. Integral solenoid valve
6. Unbalanced major air valve
7. Quick dump valves EXP only
8. Leak detection fluid sensor
9. Leak Detection Sensor Pinout

arohotline@arco.com

# Preassembled, Yet Custom-Designed

Our factory-installed options let you customize your ARO Electronic Interface pump to your specific application needs for cost-effective, factory control integration and worry-free operation. For example, your custom solution might look like this:

Position	1	2	3	4	5	6	7	8	9	10	11	12			
Example:	PE	05	P	-	A	P	S	-	P	A	A	-	B	D	E

## Choose the Options that Fit Your Needs

Position 1	
Code	Series
PE	Electronic Interface

Position 2	
Code	Port Size
01	1/4"
03	3/8"
05	1/2"
07	3/4"
10	1"
15	1.5"
20	2"
30	3"

Position 3	
Code	Center Section Material
A	Aluminum
P	Polypropylene
S	Stainless Steel

Position 4	
Code	Connection
A	NPT Thread
B	BSP Thread
F	A.N.S.I Side
Y	A.N.S.I Center

Position 5	
Code	Wetted Parts
A	Aluminum
C	Cast Iron
D	Groundable Acetal
E	Conductive Poly
H	Hastelloy
K	PVDF (Kynar)
P	Polypropylene
S	Stainless Steel

Position 6	
Code	Hardware
P	Plated steel
S	Stainless steel

Position 7	
Code	Seat Material
A	Santoprene
C	Hytre
D	Acetal
E	Carbon steel
F	Aluminum
G	Nitrile
H	440 SS (hard)
K	PVDF
L	Hastelloy
P	Polypropylene
S	Stainless steel

Position 8	
Code	Ball Material
A	Santoprene
C	Hytre
G	Nitrile
S	316 SS
T	PTFE
U	Polyurethane
V	Viton

Position 9	
Code	Diaphragm Material
A	Santoprene
C	Hytre
G	Nitrile
T	PTFE
V	Viton

Position 10	
Code	Revision
A	First
B	Second
C	Third

Position 12	
Code	Specialty Code 2
E	End-of-stroke feedback + leak detection
F	End-of-stroke feedback
L	Leak Detection
0	No option

Position 11	
Code	Specialty Code 1
A	Solenoid 120VAC, 110VAC and 60VDC
B	Solenoid 12VDC, 24VAC and 22VAC
C	Solenoid 240VAC, 220VAC and 120VDC
D	Solenoid 24VDC, 48VAC and 44FAC
G	Solenoid 12VDC ATEX Zone 1
H	Solenoid 24VDC ATEX Zone 1
K	Solenoid 220VAC ATEX Zone 1
N	Solenoid (no coil)
P	Ported Motor (no major valve)
S	Cycle Sensing - not available with solenoid actuation on compact series
O	Standard valve block (no solenoid)





## *Backed by Over 80 Years of Expertise.*

Only Ingersoll Rand pairs the industry's best service and most highly trained technicians with ARO's industry-leading pump design. Throughout the past eight decades, ARO fluid-handling products have made businesses more competitive, cost-efficient and performance-driven. For even greater savings, we offer a free Fluid Handling Audit. During an audit, our specialists will evaluate the efficiency of your operation's fluid-handling products and compressed air systems, and identify opportunities to lower cost and improve productivity.

### **Find Out How ARO Can Impact Your Operations**

When you need custom solutions to make your business more profitable and operations more productive, you need ARO by Ingersoll Rand. To learn more about the revolutionary ARO Electronic Interface Diaphragm Pump with solenoid control and our complete line of ARO products, call 800-495-0276 or visit [www.fluids.ingersollrand.com](http://www.fluids.ingersollrand.com). Be sure to ask about our free Fluid-Handling Audit that can identify additional ways to make your applications more cost-effective and stress-free.



# ARO®

arohotline@irco.com



# ARO<sup>®</sup>

Ingersoll Rand (NYSE:IR) advances the quality of life by creating and sustaining safe, comfortable and efficient environments. Our people and our family of brands—including Club Car<sup>®</sup>, Ingersoll Rand<sup>®</sup>, Schlage<sup>®</sup>, Thermo King<sup>®</sup> and Trane<sup>®</sup>—work together to enhance the quality and comfort of air in homes and buildings; transport and protect food and perishables; secure homes and commercial properties; and increase industrial productivity and efficiency. Ingersoll Rand products range from complete compressed air systems, tools and pumps to material handling systems. The diverse and innovative products, services and solutions enhance our customers' energy efficiency, productivity and operations. We are a \$14 billion global business committed to a world of sustainable progress and enduring results. For more information, visit [ingersollrand.com](http://ingersollrand.com).



[www.fluids.ingersollrand.com](http://www.fluids.ingersollrand.com)

[arohotline@irco.com](mailto:arohotline@irco.com)

(800) 495-0276

[youtube.com/aropumps](http://youtube.com/aropumps)

Distributed by:



Ingersoll Rand, IR and the IR logo are trademarks of Ingersoll Rand, its subsidiaries and/or affiliates. All other trademarks are the property of their respective owners. Ingersoll Rand compressors are not designed, intended or approved for breathing air applications. Ingersoll Rand does not approve specialized equipment for breathing air applications and assumes no responsibility or liability for compressors used for breathing air service.

Nothing contained on these pages is intended to extend any warranty or representation, expressed or implied, regarding the product described herein. Any such warranties or other terms and conditions of sale of products shall be in accordance with Ingersoll Rand's standard terms and conditions of sale for such products, which are available upon request.

Product improvement is a continuing goal at Ingersoll Rand. Designs and specifications are subject to change without notice or obligation.