

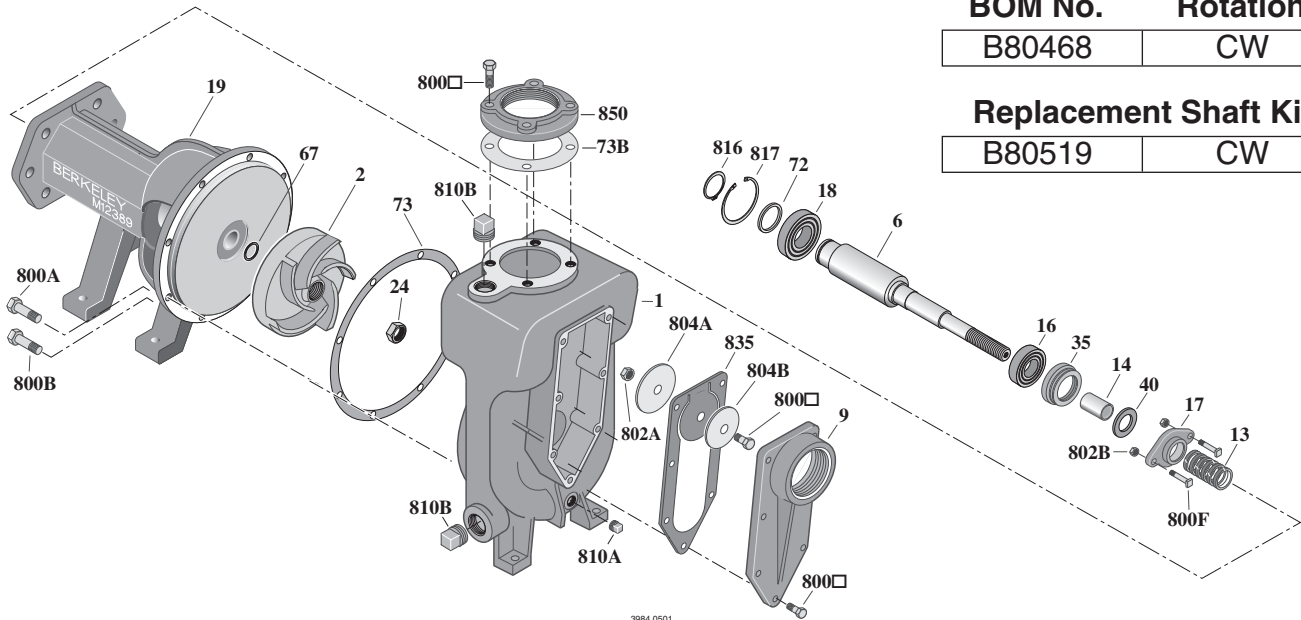
Pump Nomenclature

B4ZRK Bearing Frame Mount

Parts Breakdown

BOM No.	Rotation
B80468	CW

Replacement Shaft Kit	
B80519	CW



3984 0501

Key No.	Part Description	Qty.	Part Number
1	Volute	1	H02505
2	Impeller	1	M13584
•	Impeller Spacer	1	S15405
6	Shaft (Clockwise Rotation)	1	1000000880*
9	Suction Cover	1	L04108
13	Packing Ring	6	S08281
14	Shaft Sleeve	1	S05127*
16	Single Row Ball Bearing - Small	1	M12395*
17	Packing Gland	1	S04948
18	Single Row Ball Bearing - Large	1	M12394*
19	Bracket	1	M12389
24	Impeller Nut (Clockwise Rotation)	1	M10220
35	Inner Bearing Cap	1	S19033
40	Slinger	1	S12260
72	Washer	1	M12392*
73A	Volute Gasket	1	S05126
73B	Blind Gasket	1	S10364
800A	3/8-16 x 1" Lg. Hex Hd. Capscrew	6	S26826
800B	3/8-16 x 1-1/8" Capscrew	2	S26827
800C	3/8-16 x 3/4" Capscrew	1	S26824
800D	5/8-11 x 1-3/4" Capscrew	4	S27001
800E	3/8-16 x 1-1/4" Lg. Hex Hd. Capscrew	7	S26828
800F	3/8-16 X 2-1/2" Sq. Hd. Machine Bolt	2	S23762
802A	3/8-16 Hex Nut, SS	1	S23103
802B	3/8-16 BRS Hex Nut	2	S23343
804A	Clack Weight	1	S14842
804B	Clack Weight	1	S15325
810A	1/2" NPT Sq. Hd. Pipe Plug	1	S23717
810B	1-1/2" MPT Sq. Hd Pipe Plug	2	S23695
816	Bearing Retaining Ring	1	M12486*
817	Shaft Retaining Ring	1	M12487*
835	Rubber Clack	1	L04119
850	Companion Flange	1	S15933

• Not Illustrated.

* Items included in the Shaft Replacement Kit.