

# **BALDOR**® • *RELIANCE*

## **Product Information Packet**

# **AP7422**

**.25HP,3450RPM,DC,2424P,TENV**

Part Detail							
Revision:	Q	Status:	PRD/A	Change #:		Proprietary:	No
Type:	DC	Prod. Type:		Elec. Spec:	24WGZ105	CD Diagram:	CD1899
Enclosure:	TENV	Mfg Plant:		Mech. Spec:		Layout:	24LYA174
Frame:		Mounting:		Poles:	///	Created Date:	
Base:		Rotation:	R	Insulation:	F	Eff. Date:	04-11-2012
Field Type:		Literature:		Elec. Diagram:		Replaced By:	

## Nameplate NP1220A24

CAT.NO.	AP7422		
SER.NO.			
SPEC.	24A174Z105G1		
FRAME		TYPE	2424P
HP	.25	TE	
VOLTS	180DC		
AMP	1.25		
F.F.	1.50	CLASS	F
RPM	3450		
AMB.	40	DUTY	CONT
BRUSHES	2/BP5052BP01		
APRV-CE		APRV-CUL	

Parts List		
Part Number	Description	Quantity
SA092690	SA 24A174Z105G1	1.000 EA
AA008598	AA 24A174Z105G1	1.000 EA
LC0899A07	CONNECTION LABEL, DCPM CW ROTATION CE CO	1.000 EA
BP5052BP01SP	BRUSH, GRADE R884 NATIONAL CARBON (FOR 1	1.000 EA
24EP3107A02L	EP,24DC DE CL 6200 PARA	1.000 EA
HW5002A45	RETAINING RING,WALDES TRUARC N5002-118	1.000 EA
BA0166A00L	BASE,24 FRAME CLOW	1.000 EA
08XN2520A06	1/4-20 X 3/8 FLAT HD PHILLIPS	2.000 EA
MJ5019A01	ADHESIVE LOCTITE #680 WAS BAD4525	0.010 EA
24EP3102A01L	EP,24DC 0DE CL 0.63P4	1.000 EA
80XN1032A04	10-32 X 1/4 SET SCREW	2.000 EA
HW5109A13	WASHER, WAVE SPRING FOR 26MM BORE SMALLE	1.000 EA
WD4102A01	SR-6L-1 HEYCO STRN RELIEF OR 23MPO6L10 M	1.000 EA
HA3100A10	THRUBOLT 10-32 X 6.250	2.000 EA
BP4529SP	BRUSH TUBE HOLDER:BBR1097	1.000 EA
BP4530SP	BRUSH TUBE CAP:BBR1094	1.000 EA
BCB1111-115	CABLE ASS'Y, 18-3-SJTO 24F	1.000 EA
NP1220A24	NP,DC STD AD NONE V CE CUL MOTOR ONLY	1.000 EA
MN416A01	TAG-INSTAL-MAINT no wire (1200/bx) 11/14	1.000 EA
LB1119N	WARNING LABEL	1.000 EA
CPA1000	PACKING GROUP STD. SINGLE	1.000 EA
MG2000A14	RUST VETO 342 RUST INHIBITOR	0.001 GA

<b>Accessories</b>		
<b>Part Number</b>	<b>Description</b>	<b>Multiplier</b>
BC139	.25HP-230V/SCR CNTL,AC,HP RES REQ.	E9
BC140	CS2934A,120/240VAC .5/1-HP SCR CTL,NEMA	E9
BC140-FBR	3479G KBMD-240D w/FBR CN3000A54	E9
BC142	3HP-230V/ CHASSIS MOUNT/KBMM-225	E9
BR0100	PLUG IN RESISTOR	E9

**DC Motor Performance Data**

Record # 894 - Typical performance - not guaranteed values

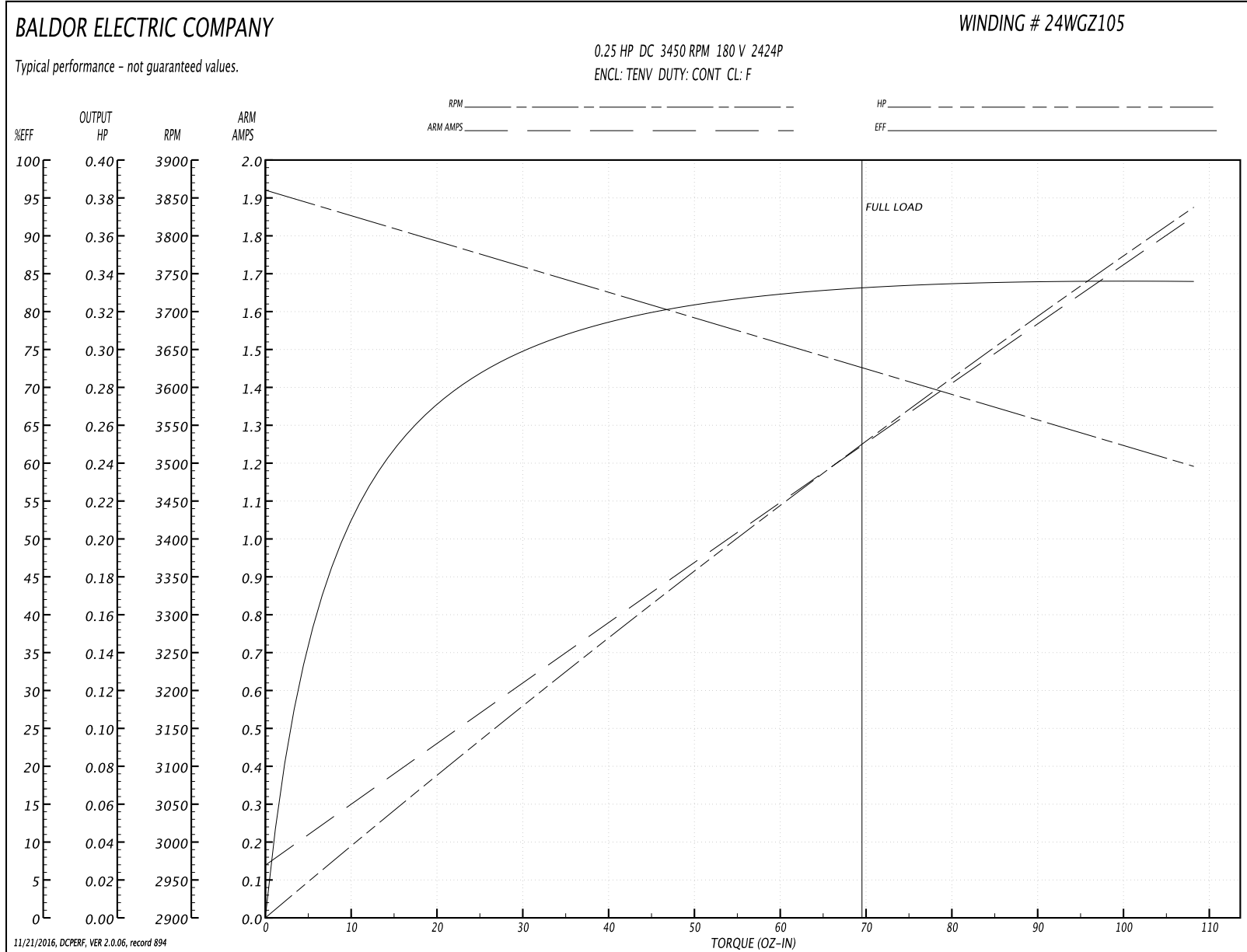
<b>Winding:</b> 24WGZ105-R002	<b>Type:</b> 2424P	<b>Enclosure:</b> TENV
-------------------------------	--------------------	------------------------

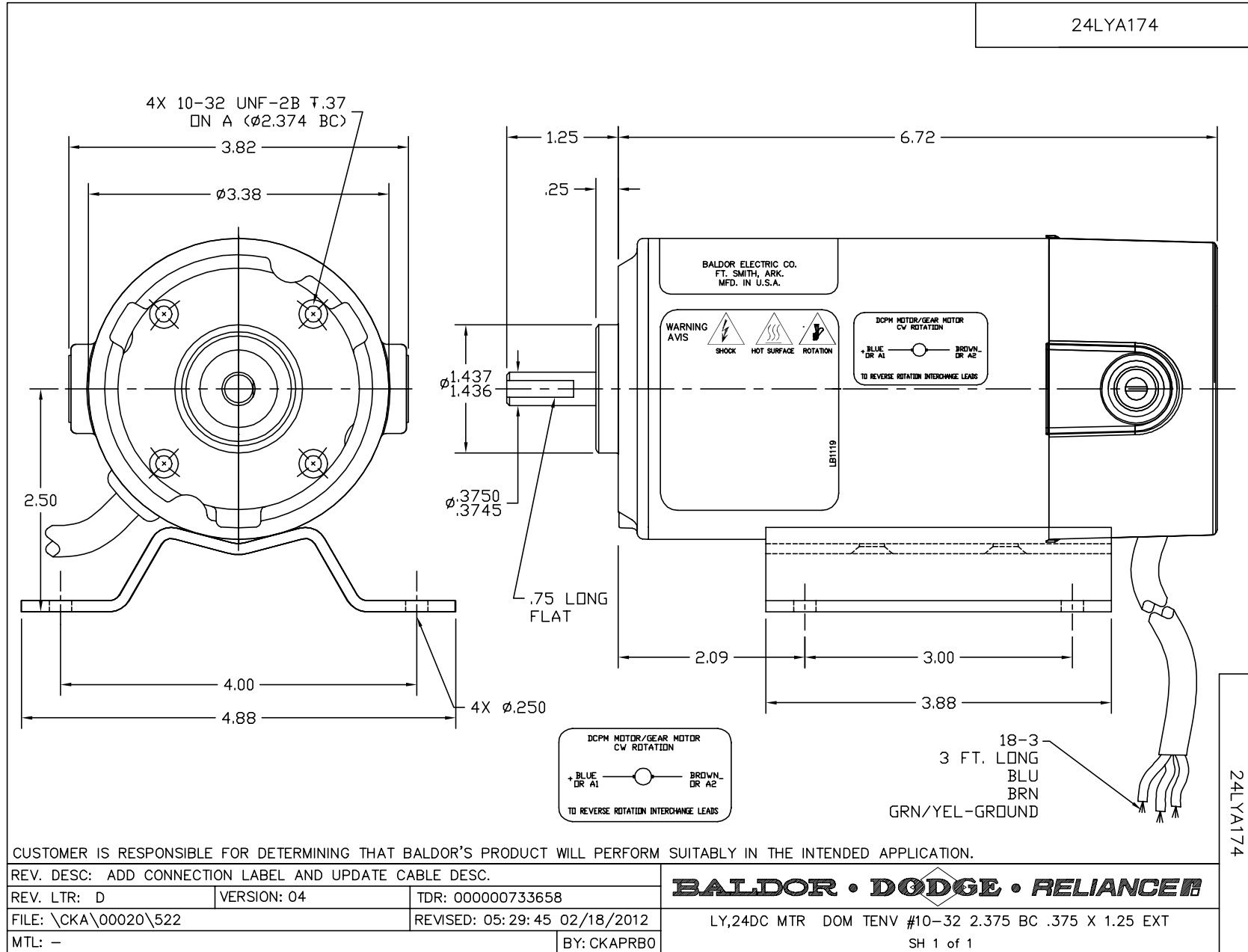
Nameplate Data		General Characteristics	
Rated Output (HP)	0.25	Armature Resistance @ 25°C	8.008 Ω
R.P.M.	3450		
Armature Volts	180		
Armature Amps	1.25		
Field Volts		Armature Inductance	27 mH
Field Amps		Armature Inertia	17.58 OI <sup>2</sup>
Rating - Duty	40C AMB-CONT		
Form Factor	1.5		

Load Characteristics at 180 Armature Volts

Load Point	1	2	3	4	5	6	7
Armature Amps	0.14	0.41	0.68	0.96	1.25	1.55	1.85
R.P.M.	3873	3797	3741	3680	3624	3563	3501
Torque ( OZ-IN )	0	16.8	33.8	51.6	69.6	88.8	108.2

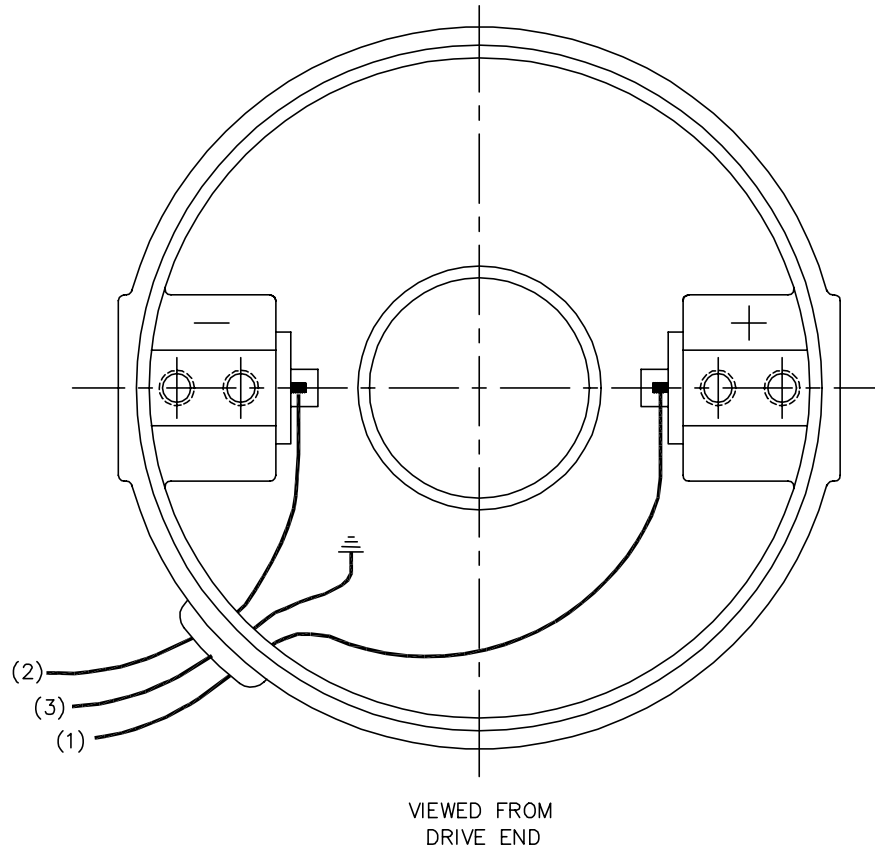
Performance Graph at 180.0 Arm V, 0.25HP Typical performance - Not guaranteed values







CD1899



(1) COLOR MAY BE  
RED  
WHT  
BLU

(2) COLOR MAY BE  
BLK  
BRN

(3) COLOR WHEN REQ.  
GRN  
GRN/YEL

VIEWED FROM  
DRIVE END

REV. DESC: NEW			
REV. LTR: -	BY: PAW	REVISED: 09:06:34 09/16/2004	TDR: 341564
668100		FILE: CKA00025830	REF: CD1899
		MTL: -	

**BALDOR ELECTRIC Co.**

PM,2LD,REV,TANG,CK

CD1899