

BALDOR® • RELIANCE

Product Information Packet

D1152

.5HP,1750RPM,DC,56,3420D,TEFC,F1

| Part Detail | | | | | | | |
|-------------|---------------------|-------------|-------|----------------|----------|---------------|------------|
| Revision: | T | Status: | PRD/A | Change #: | | Proprietary: | No |
| Type: | DC | Prod. Type: | | Elec. Spec: | 34WG3116 | CD Diagram: | CD0862B01 |
| Enclosure: | TEFC | Mfg Plant: | | Mech. Spec: | 34-6121 | Layout: | 34LY6121 |
| Frame: | 56 | Mounting: | F1 | Poles: | 2/// | Created Date: | |
| Base: | RG | Rotation: | R | Insulation: | F | Eff. Date: | 09-16-2016 |
| Field Type: | Compound/stab Shunt | Literature: | | Elec. Diagram: | | Replaced By: | |

| Nameplate NP0111L | | | |
|-------------------|--------------------------|---------|--------------------------|
| CAT.NO. | D1152 | | |
| SPEC. | 34-6121-3116 | | |
| HP | .5 | ENCL | TEFC |
| RPM | 1750 | | |
| FRAME | 56 | TYPE | 3420D |
| ARM V | 115 | ARM A | 4.8 |
| FLD V | | FLD A | |
| INSUL | F | AMB. | 40 |
| DUTY | CONT | SUPPLY | A |
| BRG/DE | 6203 | BRG/ODE | 6203 |
| BRUSHES | 2/BP5000H03 | | |
| | IEEE 45 | BLANK | |
| SER. | | | |
| BLANK | -- | | |
| APRV-CSA | <input type="checkbox"/> | APRV-UL | <input type="checkbox"/> |

| Parts List | | |
|---------------|--|----------|
| Part Number | Description | Quantity |
| SA006736 | SA 34-6121-3116 | 1.000 EA |
| AA003370 | AA 34-6121-3116 | 1.000 EA |
| BP5000H03SP | BRUSH ASSY, GRADE H619 | 1.000 EA |
| 11XW1032G06 | 10-32 X .38, TAPTITE II, HEX WSHR SLTD U | 1.000 EA |
| HW3001B01 | BRASS CUP WASHER, FOR #8 SCREW | 1.000 EA |
| 34EP3103A06 | FR ENDPLATE MACH 34DC F-1 MTG W/.50 N.P. | 1.000 EA |
| WD4100A17 | PLUG STIMPSON D4036 | 1.000 EA |
| HW5100A03SP | WAVY WASHER (W1543-017) | 1.000 EA |
| 34EP3110A06 | PU ENDPLATE, MACH | 1.000 EA |
| HA1005A05SP | SLINGER, OD 1.50, ID .659, 203 BRG | 1.000 EA |
| BP5201A10SP | BRUSH HOLDER ASSY W/BP4509A01 & BP3000A0 | 1.000 EA |
| 80XN1032A03 | 10-32 X 3/16 SET SCREW | 2.000 EA |
| 34FN3002A01SP | EXTERNAL FAN, PLASTIC, .637/.639 HUB W/ | 1.000 EA |
| 34FH4002A03SP | IEC FH NO GREASER W/.88 DIA SHAFT HOLE, | 1.000 EA |
| 51XW1032A06 | 10-32 X .38, TAPTITE II, HEX WSHR SLTD S | 3.000 EA |
| WD4100A81 | CAPLUG BPF-7/8, FOR .86-.88 HOLE | 1.000 EA |
| 34CB4504SP | CONDUIT BOX LID, STAMPED | 1.000 EA |
| 34GS1014 | GASKET,CONDUIT BOX LID BLACK NEOPRENE | 1.000 EA |
| 51XW0832A07 | 8-32 X .44, TAPTITE II, HEX WSHR SLTD SE | 2.000 EA |
| HW2501D13 | KEY, 3/16 SQ X 1.375 | 1.000 EA |
| HA7000A04 | KEY RETAINER 0.625 DIA SHAFTS | 1.000 EA |
| WD4102A07 | STRAIN RELIEF - MICRO PLASTIC #23MP07W20 | 1.000 EA |
| MG1000G27 | MED CHARCOAL METALLIC GREY 400-0096 | 0.014 GA |
| MJ5004A05 | #242-21 LOCTITE GENERAL PURPOSE MED. STR | 0.001 EA |

| Parts List (continued) | | |
|-------------------------------|--|-----------------|
| Part Number | Description | Quantity |
| MJ5001A27 | 32220KN GRAY SEALER *MIN BUY 4 QTS=1GAL | 0.001 QT |
| 10XF0440S02 | 04-40 X 1/8 TYPE F HEX HD STAINLESS STIC | 2.000 EA |
| HA3100A12 | THRUBOLT 10-32 X 7.375 | 4.000 EA |
| LB1119N | WARNING LABEL | 1.000 EA |
| NP0111L | NP STD LASER ENGRAVED DC MOTORS, UL CSA | 1.000 EA |
| 27PA1001 | PKG GRP, PRINT PK1027A06 | 1.000 EA |
| LC0862 | DC -- COMPOUND WOUND MOTOR CONNECTION LA | 1.000 EA |

DC Motor Performance Data

Record # 1419 - Typical performance - not guaranteed values

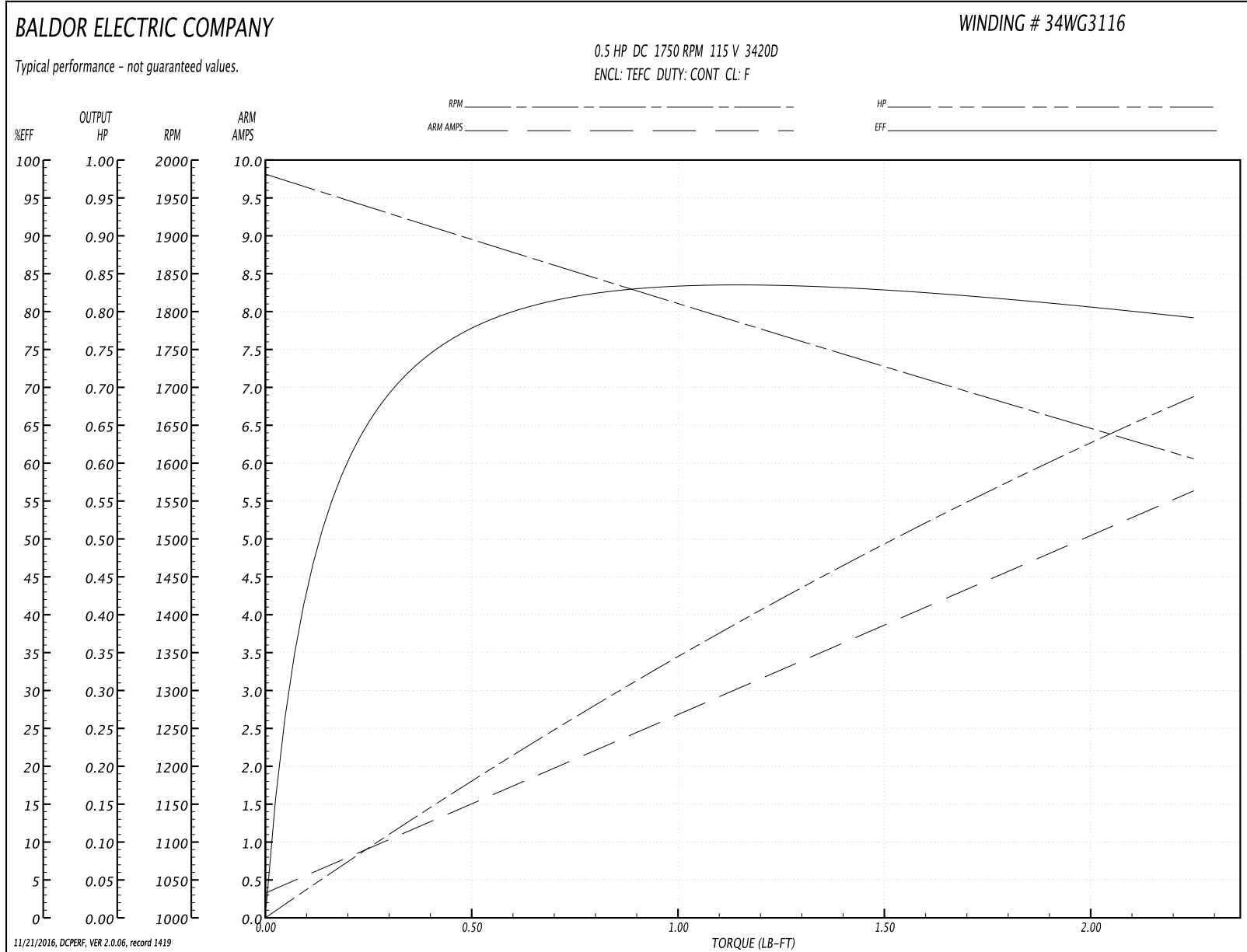
| | | |
|-------------------------------|--------------------|------------------------|
| Winding: 34WG3116-R001 | Type: 3420D | Enclosure: TEFC |
|-------------------------------|--------------------|------------------------|

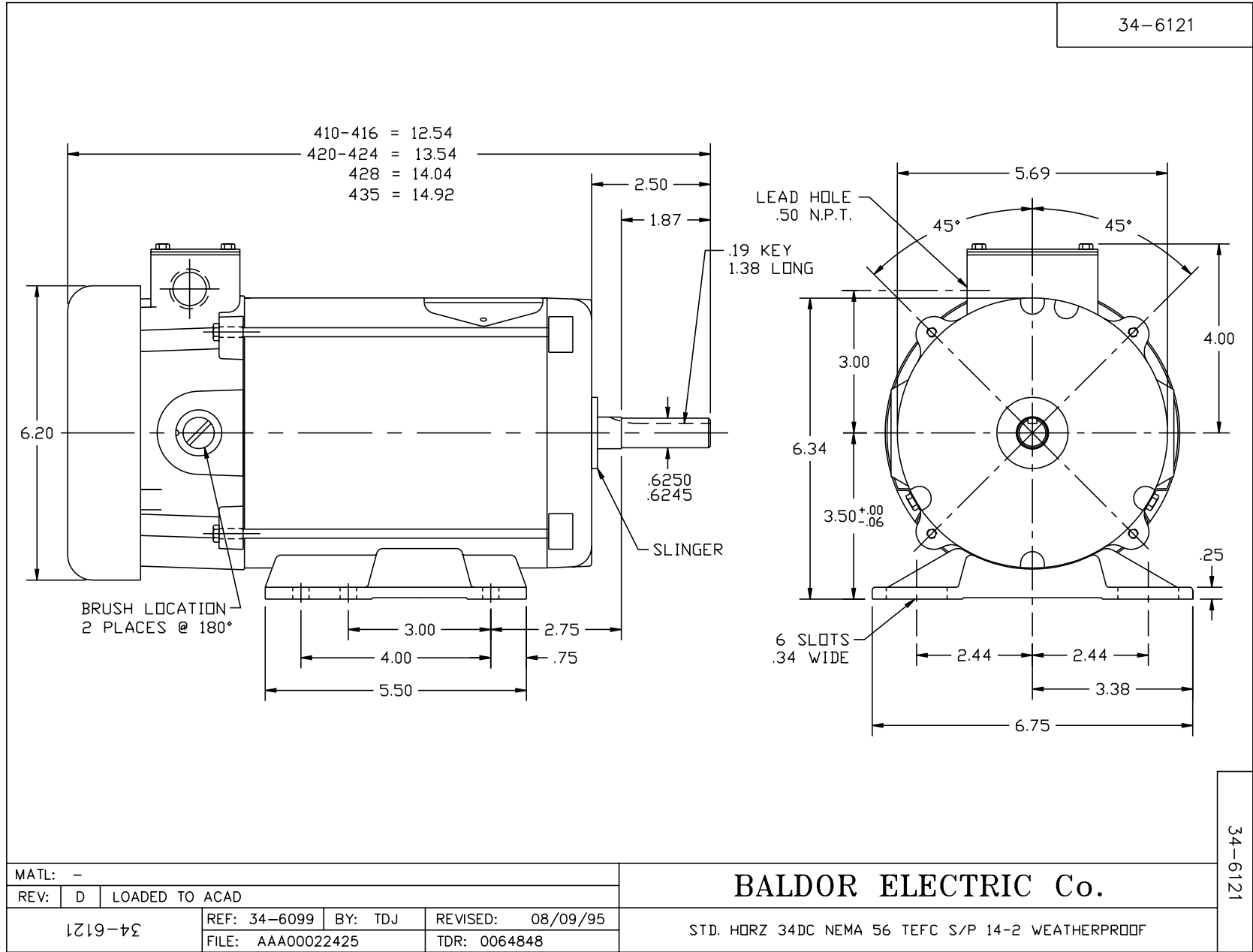
| Nameplate Data | | General Characteristics | |
|-------------------|--------------|----------------------------------|---------|
| Rated Output (HP) | 0.5 | Armature Resistance @ 25°C | 2.6 Ω |
| R.P.M. | 1750 | | |
| Armature Volts | 115 | Series Winding Resistance @ 25°C | 0.493 Ω |
| Armature Amps | 4.8 | Shunt Winding Resistance @ 25°C | 247 Ω |
| Field Volts | | | |
| Field Amps | | | |
| Rating - Duty | 40C AMB-CONT | | |
| Power Supply Code | K | | |
| | | | |

Load Characteristics at 115 Armature Volts

| Load Point | 1 | 2 | 3 | 4 | 5 | 6 |
|------------------|------|------|-------|------|-------|------|
| Armature Amps | 0.34 | 2.04 | 3.05 | 3.84 | 4.74 | 5.64 |
| R.P.M. | 1982 | 1854 | 1781 | 1733 | 1671 | 1602 |
| Torque (LB-FT) | 0 | 0.75 | 1.125 | 1.5 | 1.875 | 2.25 |

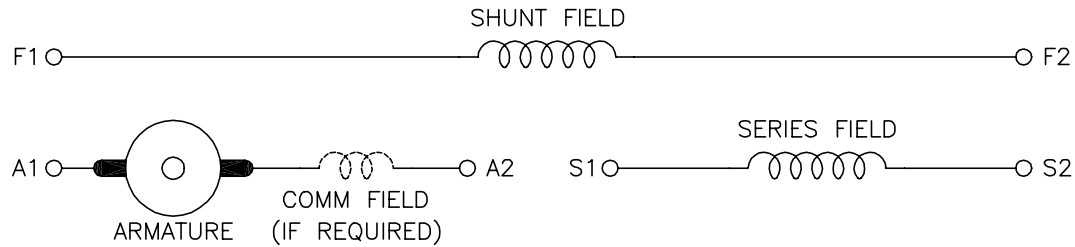
Performance Graph at 115.0 Arm V, 0.5HP Typical performance - Not guaranteed values





CD0862B01

COMPOUND WOUND



| DIRECTION OF ROTATION | | | | |
|-----------------------|-----------------|-----------------|-----------------|--|
| CWDE | | CCWDE | | |
| POS TERM (+) | NEG TERM (-) | POS TERM (+) | NEG TERM (-) | |
| A1 | S2 | A2 | S2 | |
| F1 | F2 | F1 | F2 | |
| CONNECT A2 & S1 | | CONNECT A1 & S1 | | |

NOTES:

1. LIMIT STARTING INRUSH CURRENT TO NOT MORE THAN 3 TIMES RATED AMPERES BY ENERGIZING THE FULL SHUNT FIELD BEFORE BRINGING THE ARMATURE VOLTAGE UP SLOWLY OR IN STEPS.
2. OPTIONAL FIELD REOSTAT MAY BE CONNECTED IN SERIES WITH THE SHUNT FIELD.
3. OPTIONAL THERMOSTAT LEADS ARE MARKED J,J.

REV. DESC: NEW, REPLACE CD0862

REV. LTR: - BY: JLP REVISED: 16:10:51 11/03/2004 TDR: 347796

10BZ98000
CD0862B01

FILE: AAA00121482 REF: CD0862B01
MTL: -

BALDOR ELECTRIC Co.

DC CONNECTION DIAGRAM, COMPOUND FIELD, 6 LEAD

CD0862B01