

BALDOR® • *RELIANCE*

Product Information Packet

EBM3116T

1HP,1765RPM,3PH,60HZ,143T,3524M,OPEN,F1

Part Detail							
Revision:	G	Status:	PRD/A	Change #:		Proprietary:	No
Type:	AC	Prod. Type:	3524M	Elec. Spec:	35WGP529	CD Diagram:	CD0005
Enclosure:	OPEN	Mfg Plant:		Mech. Spec:	35BB021	Layout:	35LYBB021
Frame:	143T	Mounting:	F1	Poles:	04	Created Date:	03-23-2010
Base:	RG	Rotation:	R	Insulation:	F	Eff. Date:	02-10-2016
Leads:	9#18					Replaced By:	
Literature:		Elec. Diagram:					

Nameplate NP1259L										
CAT.NO.	EBM3116T									
SPEC.	35BB021P529G1									
HP	1									
VOLTS	230/460									
AMP	3/1.5									
RPM	1765									
FRAME	143T				HZ	60			PH	3
SER.F.	1.15		CODE	N	DES	B		CL	F	
NEMA-NOM-EFF	87.5		PF	70						
RATING	40C AMB-CONT									
CC	010A				USABLE AT 208V			3.3		
DE	6205				ODE	6203				
ENCL	OPEN		SN							

Parts List		
Part Number	Description	Quantity
SA192611	SA 35BB021P529G1	1.000 EA
RA180246	RA 35BB021P529G1	1.000 EA
NS2512A01	INSULATOR, CONDUIT BOX X	1.000 EA
35CB3009	35 CB W/1.09 DIA. LEAD HOLE @ 6:	1.000 EA
51XB1016A07	10-16 X 7/16 HXWSSLD SERTYB	2.000 EA
11XW1032G06	10-32 X .38, TAPTITE II, HEX WSHR SLTD U	1.000 EA
35EP3900A02	SPL FACE MTD FR EP-OPEN-W/STEARNS BRAKE	1.000 EA
HW4500A01	1641B(ALEMITE)400 UNIV, GREASE FITT	1.000 EA
HW5100A03SP	WAVY WASHER (W1543-017)	1.000 EA
35PE3200A01	PUEP ASSEMBLY FOR ROUTING PURPOSES	1.000 EA
HW4500A01	1641B(ALEMITE)400 UNIV, GREASE FITT	1.000 EA
XY1032A02	10-32 HEX NUT DIRECTIONAL SERRATION	4.000 EA
HW2501D10	KEY, 3/16 SQ X 1.000	1.000 EA
35CB4521	35 LIPPED CB LID (GALV & PHOSPH)	1.000 EA
51XW0832A07	8-32 X .44, TAPTITE II, HEX WSHR SLTD SE	4.000 EA
HW2501D13	KEY, 3/16 SQ X 1.375	1.000 EA
HA7000A01	KEY RETAINER 7/8" DIA SHAFT	1.000 EA
85XU0407S04	4X1/4 U DRIVE PIN STAINLESS	2.000 EA
MJ1000A02	GREASE, POLYREX EM EXXON (USe 4824-15A)	0.050 LB
84XN3816J28	HEX SOC HD, 3/8-16 X 1.75 LONG	2.000 EA
MG1000Y03	MUNSELL 2.53Y 6.70/ 4.60, GLOSS 20,	0.017 GA
HA3100A18	THRUBOLT 10-32 X 9.250	4.000 EA
76BK2100BQF	1-056-021-00-BQF BRAKE TDR# 79345	1.000 EA
LC0005E01	CONN.DIA./WARNING LABEL (LC0005/LB1119N)	1.000 EA

Parts List (continued)		
Part Number	Description	Quantity
NP1259L	ALUM SUPER-E UL CSA-EEV CC NEMA PREMIUM	1.000 EA
36PA1000	PKG GRP, PRINT PK1016A06	1.000 EA
MN416A01	TAG-INSTAL-MAINT no wire (1200/bx) 11/14	1.000 EA

AC Induction Motor Performance Data

Record # 24611 - Typical performance - not guaranteed values

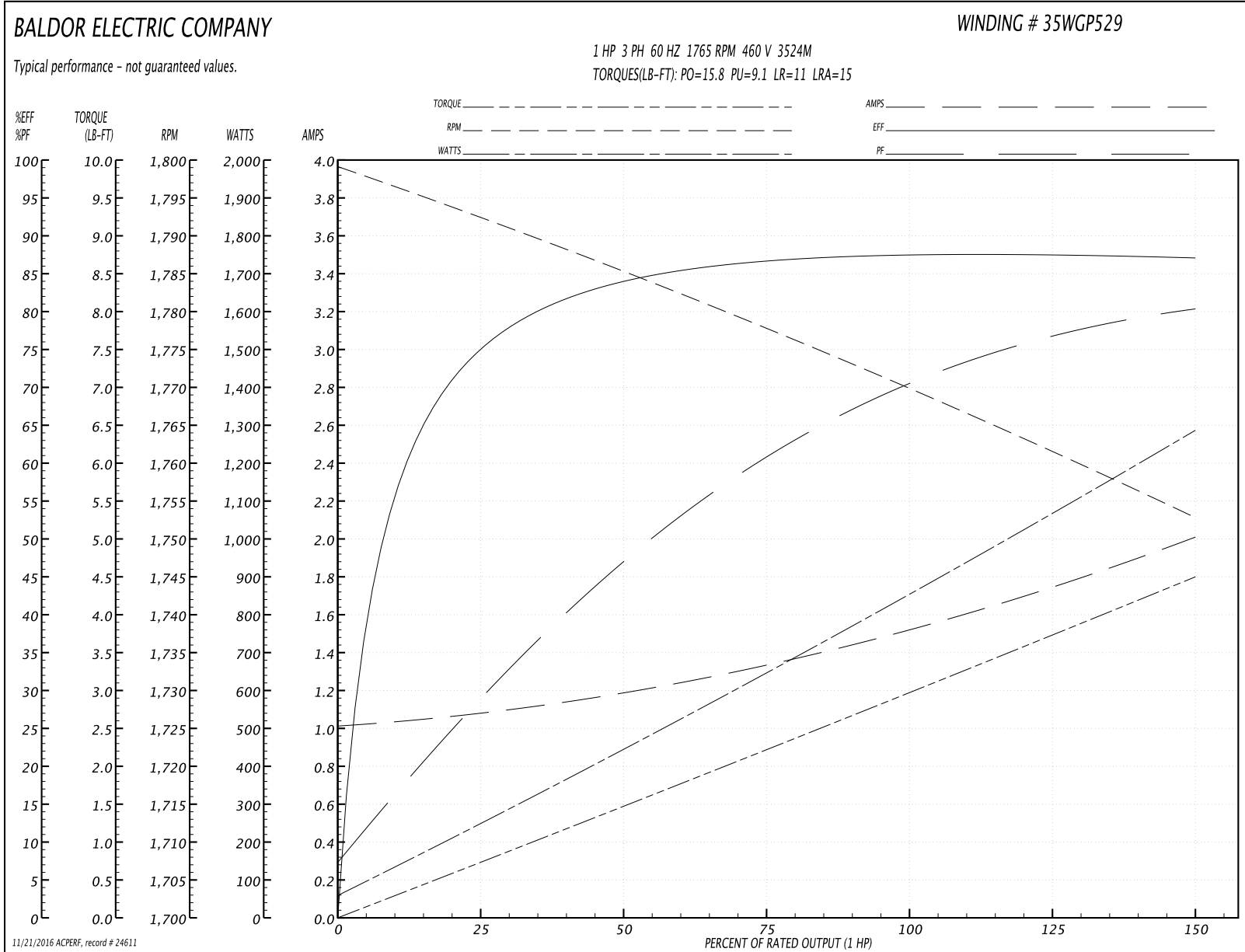
Winding: 35WGP529-R002	Type: 3524M	Enclosure: OPSB
-------------------------------	--------------------	------------------------

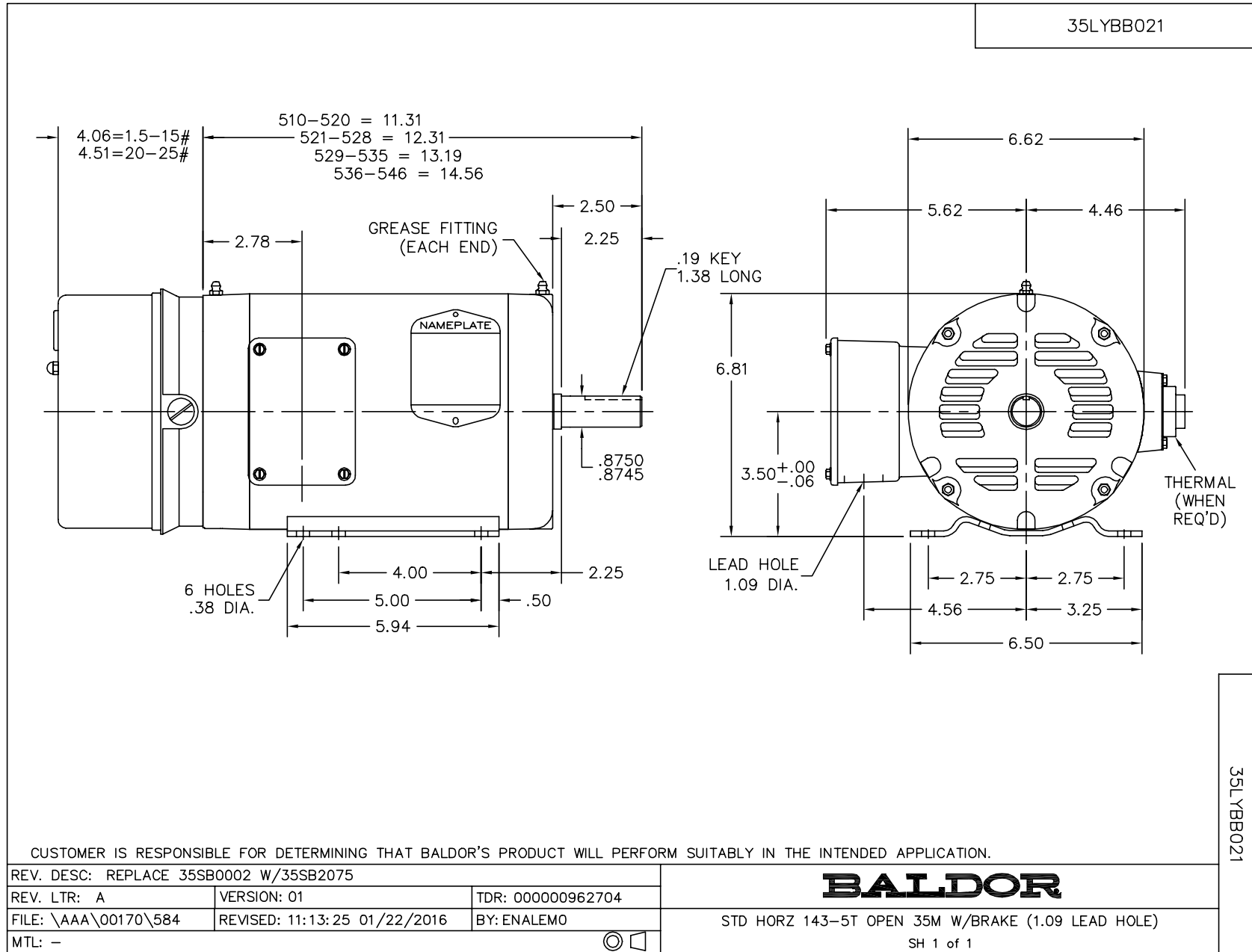
Nameplate Data				460 V, 60 Hz: High Voltage Connection	
Rated Output (HP)	1			Full Load Torque	2.99 LB-FT
Volts	230/460			Start Configuration	direct on line
Full Load Amps	3/1.5			Breakdown Torque	15.8 LB-FT
R.P.M.	1765			Pull-up Torque	9.1 LB-FT
Hz	60	Phase	3	Locked-rotor Torque	11 LB-FT
NEMA Design Code	B	KVA Code	N	Starting Current	15 A
Service Factor (S.F.)	1.15			No-load Current	1.02 A
NEMA Nom. Eff.	87.5	Power Factor	70	Line-line Res. @ 25°C	12 Ω
Rating - Duty	40C AMB-CONT			Temp. Rise @ Rated Load	17°C
S.F. Amps				Temp. Rise @ S.F. Load	21°C
				Locked-rotor Power Factor	49
				Rotor inertia	0.142 LB-FT ²

Load Characteristics 460 V, 60 Hz, 1 HP

% of Rated Load	25	50	75	100	125	150	S.F.
Power Factor	28	48	60	70	77	81	74
Efficiency	74.8	84.4	87	87.9	87.7	87.3	87.8
Speed	1793	1785	1778	1770	1761	1753	1765
Line amperes	1.07	1.18	1.33	1.53	1.76	2	1.67

Performance Graph at 460V, 60Hz, 1.0HP Typical performance - Not guaranteed values





CD0005



LOW VOLTAGE
(2Y)



LINE

HIGH VOLTAGE
(1Y)



LINE

NOTES:

1. INTERCHANGE ANY TWO LINE LEADS TO REVERSE ROTATION.
2. OPTIONAL THERMOSTATS ARE PROVIDED WHEN SPECIFIED.
3. ACTUAL NUMBER OF INTERNAL PARALLEL CIRCUITS MAY BE A MULTIPLE OF THOSE SHOWN ABOVE.
4. LEAD COLORS ARE OPTIONAL. LEADS MUST ALWAYS BE NUMBERED AS SHOWN.

REV. DESC: REVISE TO SHOW OPTIONAL COLORS			
REV. LTR: E	BY: JLP	REVISED: 01/19/99 10:15	TDR: 0171435
90000		FILE: AAA00005140	MDL: -
		MTL: -	

BALDOR ELECTRIC Co.

3PH, DV, 9 LEADS

CD0005