

# **BALDOR**® • ***RELIANCE***

## **Product Information Packet**

# **ECP4413T-4**

**150HP,3570RPM,3PH,60HZ,445TS,A4478M,TEFC**

Part Detail							
Revision:	R	Status:	PRD/A	Change #:		Proprietary:	No
Type:	AC	Prod. Type:	A4478M	Elec. Spec:	A44WG3535	CD Diagram:	416820-036
Enclosure:	TEFC	Mfg Plant:		Mech. Spec:		Layout:	617427-004
Frame:	445TS	Mounting:	F1	Poles:	02	Created Date:	08-16-2012
Base:		Rotation:	R	Insulation:	F	Eff. Date:	01-26-2016
Leads:	3#2 (02 per group)					Replaced By:	
Literature:		Elec. Diagram:					

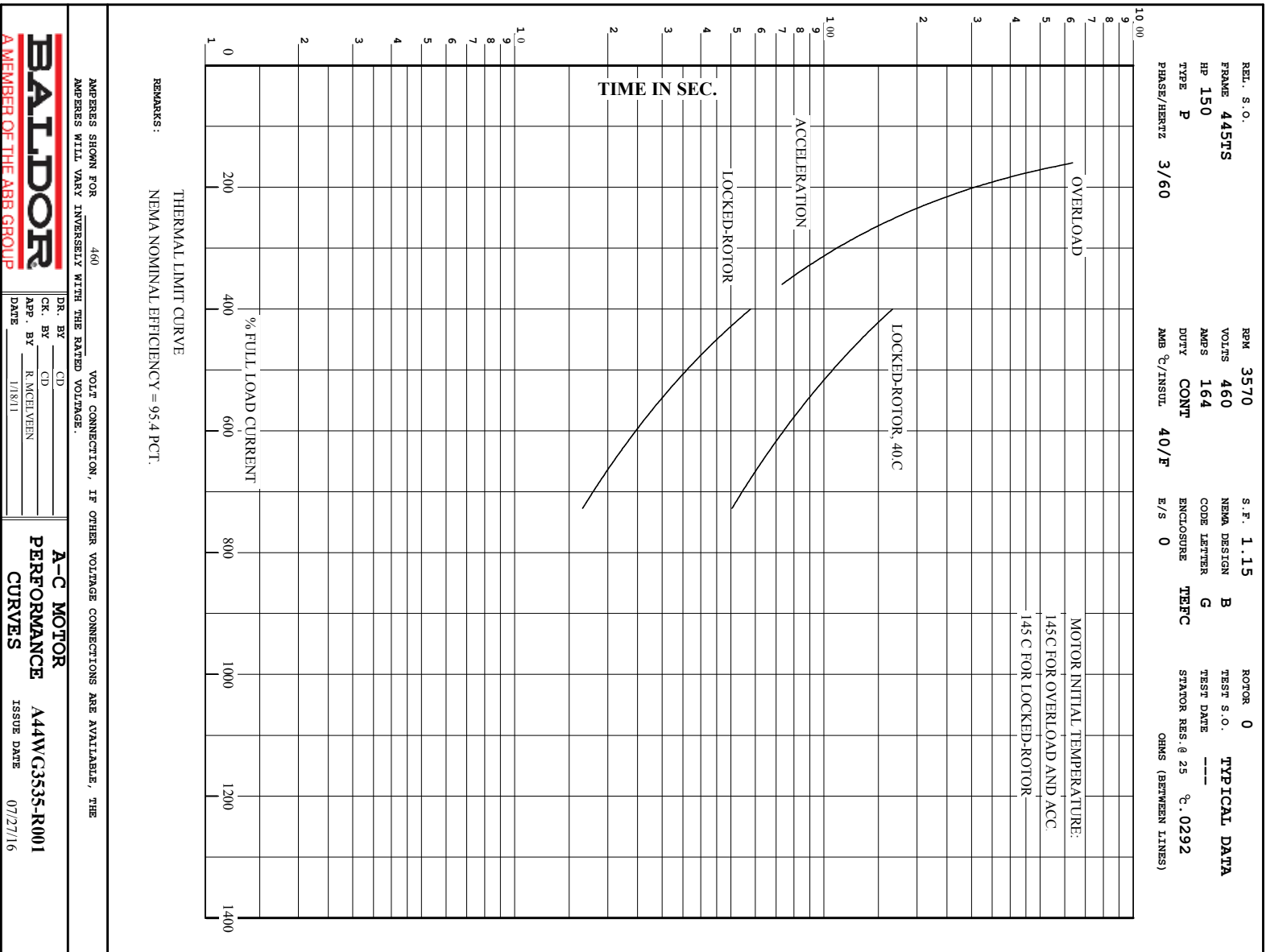
Nameplate NP3238									
CAT NO	ECP4413T-4	SPEC NO.	P44G3944						
HP	150	AMPS	164	VOLTS	460	DESIGN	B		
FRAME	445TS	RPM	3570	HZ	60	AMB	40	SF	1.15
D.E. BRG.DATA	6313	O.D.E. BRG.DATA	6313	PH	3	DUTY	CONT	INSUL.CLASS	F
D.E. BRG.	65BC03J30X	TYPE	P	ENCL	TEFC	CODE	G	NEMA NOM EFFICIENCY	95
O.D.E. BRG.	65BC03J30X	POWER FACTOR	90	MAX CORR KVAR	20.0	GUARANTEED EFFICIENCY	94.1		
3/4 LOAD EFF.	95.3	TEMP CODE	T3	TEMP	= 200				
CHP HZ	60-75	CT HZ	10-60	VT HZ	0-60				
INVERTER-TEMP-CODE	T3								
SER.NO.		MOTOR WEIGHT	2017						

Parts List		
Part Number	Description	Quantity
SA249714	SA P44G3944	1.000 EA
RA236574	RA P44G3944	1.000 EA
421948051	LABEL, MYLAR	1.000 EA
000613006PU	N/P (RELEASE QTY 10,000) UL CSA LABLE	1.000 EA
000692000FF	N/P	1.000 EA
000692000VD	LABEL WARNING	1.000 EA
NP3238	SS CP XEX SEVERE DUTY MAIN NP	1.000 EA
089490097A	BRKT 089490102WCA	1.000 EA
415072001B	CLAMP	1.000 EA
083199082RA	G28 SHORT FAN COVER W/BAFFLE ASSEMBLY	1.000 EA
034180014DA	KEY 1/4X1/4X1-3/4 L	1.000 EA
412118006A	DRAIN	1.000 EA
034530056AB	1/8 X 7 PP NIPPLE	1.000 EA
078546004C	FAN 440 702675001D	1.000 EA
004824015A	GREASE POLYREX EM	0.540 LB
032018020FK	HHCS 3/4-10X2-1/2 PLTD.	4.000 EA
032018008CK	HHCS 3/8-16X1L PLATED	4.000 EA
032018022CK	HHCS 3/8-16X2-3/4 PLTD	3.000 EA
415096002A	CPLG 1/8 HEX TYPE	1.000 EA
410700004F	WSHR	1.000 EA
035000001G	GREASE RELIEF FITTING, ALEMITE 317400	1.000 EA
035000001G	GREASE RELIEF FITTING, ALEMITE 317400	1.000 EA
034017014AB	LCKW 3/8 STD. PLATED	4.000 EA
034530072AB	P/NIP 1/8X9"L Threaded both ends	1.000 EA

Parts List (continued)		
Part Number	Description	Quantity
034631002AB	BUSH 1/4 TO 1/8 PLTD.	1.000 EA
034530072BB	PIPE NIPPLE,DE - 440-BS	1.000 EA
415045002E	SLGR	1.000 EA
034631002AB	BUSH 1/4 TO 1/8 PLTD.	1.000 EA
034530056BB	P/NIP 1/4X7 SCHED 40	1.000 EA
702623012A	THERMAL BARRIER, G28	1.000 EA
032018004BK	HHCS 5/16-18X1/2 PLATED	3.000 EA
034017013AB	LCKW 5/16 STD. PLATED	3.000 EA
415915007K	GASK, 26" LAC	1.000 EA
089490097A	BRKT 089490102WCA	1.000 EA
032018020FK	HHCS 3/4-10X2-1/2 PLTD.	4.000 EA
032018022CK	HHCS 3/8-16X2-3/4 PLTD	3.000 EA
415045002E	SLGR	1.000 EA
412118006A	DRAIN	1.000 EA
415096002A	CPLG 1/8 HEX TYPE	1.000 EA
032018006BK	HHCS 5/16-18X3/4 PLATED	3.000 EA
076863000C	+CBCST BLKT - 440	1.000 EA
076864000A	CB CVRCST BLKT - 440	1.000 EA
406056007A	GASKET, 440	1.000 EA
067053001C	GASK 440	1.000 EA
418150003A	GREASE FITTING CAP	1.000 EA
032018008DK	HHCS 1/2-13X1 PLATED	4.000 EA
032620016LA	SOCKET SET SCREW-449	3.000 EA
035000001A	ALFTG 1/8" 1610-BL	1.000 EA

Product Information Packet: ECP4413T-4 - 150HP,3570RPM,3PH,60HZ,445TS,A4478M,TEFC

035000001A	ALFTG 1/8" 1610-BL	1.000 EA
418150003A	GREASE FITTING CAP	1.000 EA
415000103D	T/LUG #4AWG-1/0AWG W/HOLE FOR .250 BOLT	1.000 EA
032018008BK	HHCS 5/16-18X1L PLATED	8.000 EA
406099000A	PLUG - FAN COVER 320-440	1.000 EA
033512004LB	HHTTS 1/4-20X1/2 PLTD.	1.000 EA
MG1025N19	WILKO 778.50 BLUE GREEN - 55 GAL DRUMS	0.250 GA
033775004EA	DRSCR #6-1/4 304 S.S.	2.000 EA
034180024HA	KEY 5/8X5/8X3 L	1.000 EA
PK5004A09	BASE 48 X 39-1/4 STACK 2 X 4 RUUNER	1.000 EA
LB1449	DIV-2/NEC WARNING LABEL	1.000 EA



**BALDOR**  
A MEMBER OF THE ABB GROUP

DR. BY CD  
CK. BY R. MCELVEEN  
APP. BY 1/18/11  
DATE

**A-C MOTOR**  
**PERFORMANCE**  
**CURVES**

A44W/C3535-R001  
ISSUE DATE 07/27/16

REL. S.O.	FRAME	HP	TYPE	PHASE/ HERTZ	RPM	VOLTS
	445TS	150	P	3/60	3570	460
AMPS	DUTY	AMB °C/ INSUL.	S.F.	NEMA DESIGN	CODE LETTER	ENCL.
164	CONT	40/F	1.15	B	G	TEFC
E/S	ROTOR	TEST S.O.	TEST DATE	STATOR RES. @25 °C OHMS (BETWEEN LINES)		
0	0	---	---	.0292		

PERFORMANCE


LOAD	HP	AMPERES	RPM	POWER FACTOR %	EFFICIENCY %
NO LOAD	0	34.7	3600	6.89	0
1/4	37.5	59.2	3593	63.9	92.9
2/4	75.1	90.3	3585	81.7	95.3
3/4	113	125	3578	87.8	95.7
4/4	150	164	3570	89.9	95.6
5/4	187	204	3562	90.4	95.2

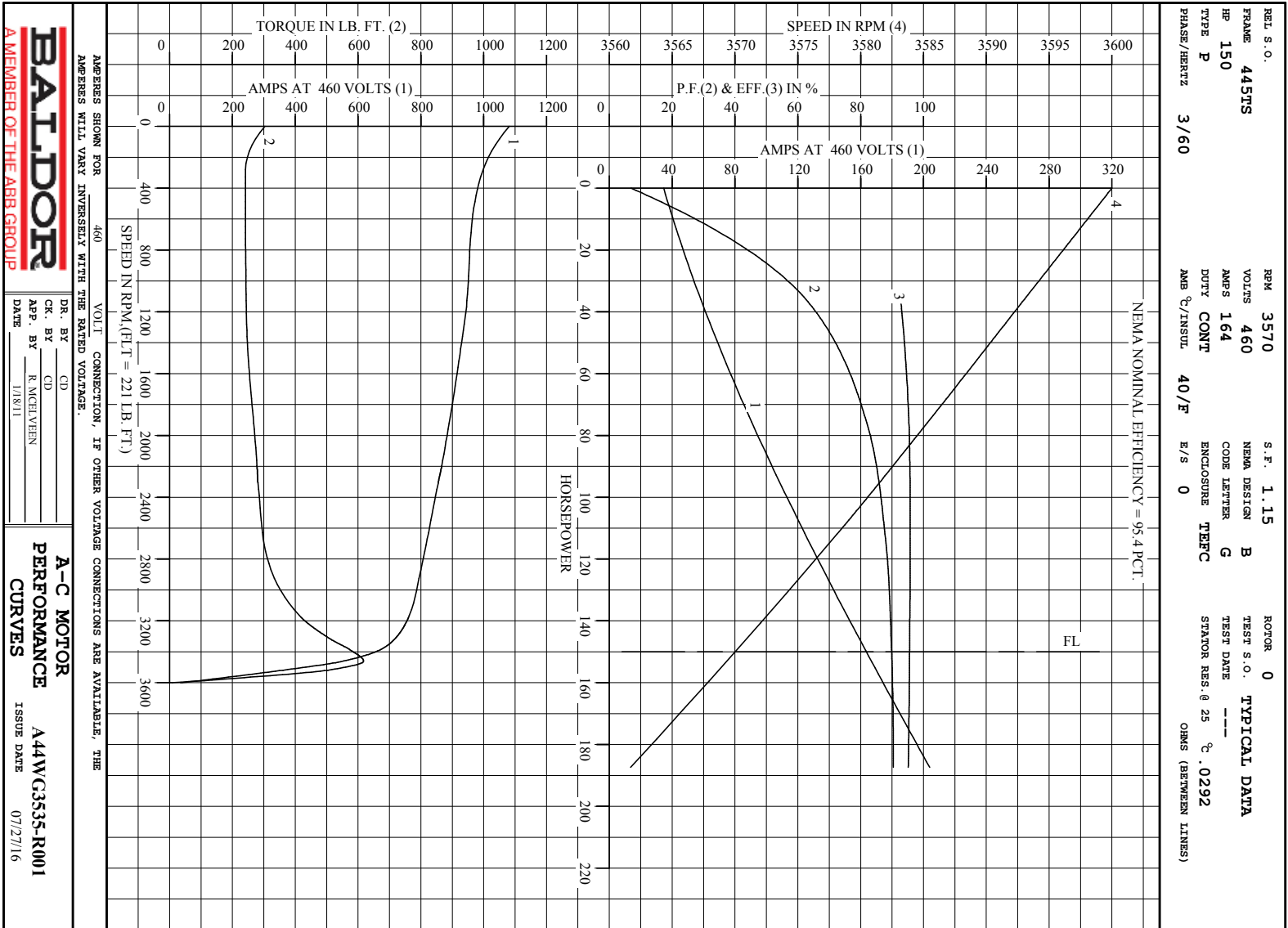
SPEED TORQUE

	RPM	TORQUE % FULL LOAD	TORQUE LB.-FT.	AMPERES
LOCKED ROTOR	0	138	304	1081
PULL UP	288	110	242	997
BREKDOWN	3461	280	618	552
FULL LOAD	3570	100	221	164

AMPERES SHOWN FOR 460. VOLT CONNECTION. IF OTHER VOLTAGE CONNECTIONS ARE AVAILABLE, THE AMPERES WILL VARY INVERSELY WITH THE RATED VOLTAGE

REMARKS: TYPICAL DATA  
NEMA NOMINAL EFFICIENCY = 95.4 PCT.

 A MEMBER OF THE ABB GROUP	DR. BY	CD	A-C MOTOR PERFORMANCE DATA A44WG3535-R001 ISSUE DATE 07/27/16
	CR. BY APP. BY DATE	CD R. McELVERN 1/18/11	



617427-004

## DUTY MASTER ALTERNATING CURRENT MOTORS

SQUIRREL-CAGE INDUCTION

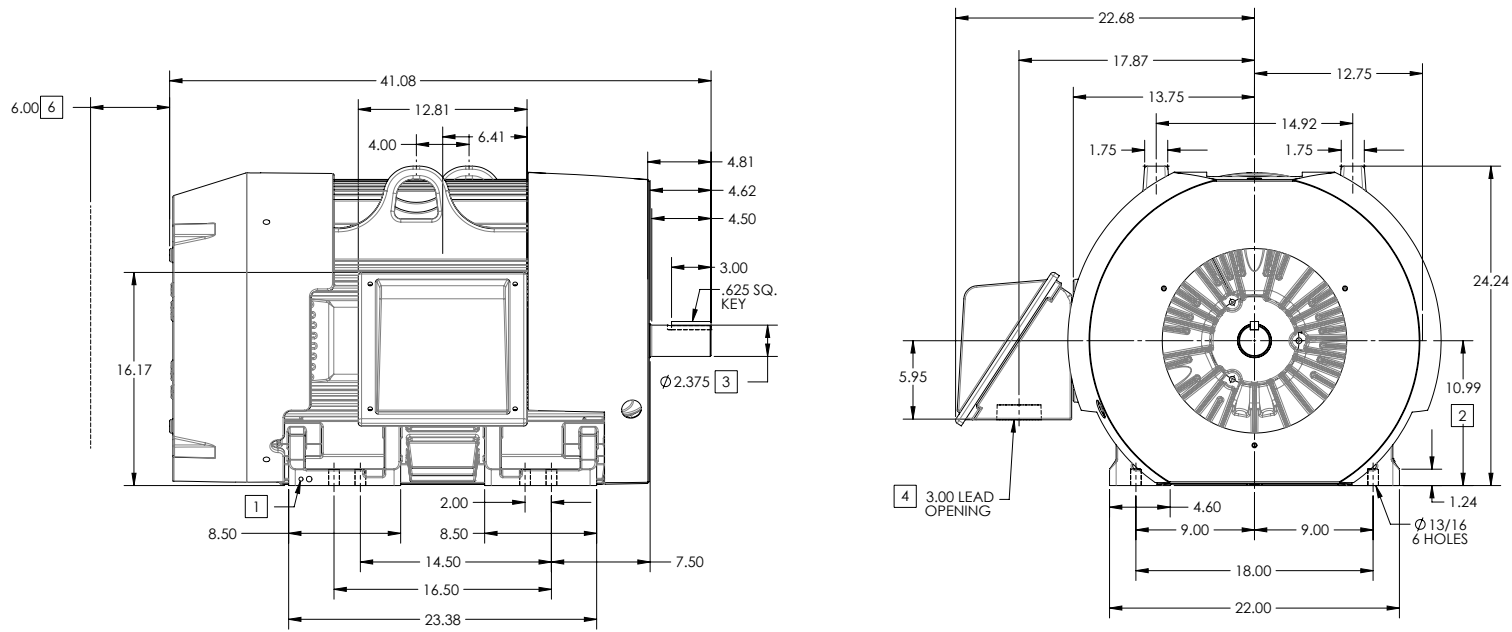
ENCLOSURE: TOTALLY ENCLOSED

FRAME G445TS ABOVE NEMA RATINGS

COOLING: FAN COOLED

MOUNTING: FOOT

INCLUDES 444TS FRAME MOUNTING HOLES



1. GROUND HOLES QTY 1 1/2-13 TAP; QTY 1 3/8-16 TAP
2. VARIES +.00,-.06
3. VARIES +.00,-.001
4. ON STANDARD MOTORS THIS IS CONDUIT SIZE. ON XT AND CORROSION PROOF MOTOR THIS IS PIPE TAP.
5. MOTOR WEIGHTS MAY VARY BY 1.5% DEPENDING ON RATING.
6. OBSTRUCTION MUST NO ENCROACH ON AIR INLET

CONDUIT BOX LOCATED ON OPPOSITE SIDE WHEN F-2.  
IF MOUNTING CLEARANCE DETAILS ARE REQUIRED, CONSULT FACTORY.  
MAXIMUM PERMISSIBLE SHAFT RUNOUT WHEN MEASURED AT END OF STANDARD SHAFT EXTENSION IS .003" T.I.R. TO 5 INCH DIA.

**[5] WEIGHT (LBS): 2100**

DRIVE END AIR DEFLECTOR IS ONLY INCLUDED WHEN NECESSARY.

DIMENSIONS ARE IN INCHES; SEE SHEET 2 FOR DIMENSIONS IN MILLIMETERS

CUSTOMER IS RESPONSIBLE FOR DETERMINING THAT MOTOR PERFORMANCE IS SUITABLE IN THE APPLICATION.

SHEET NUMBER  
1 OF 2

0007-2727-19

REV. DESC-ADJUSTED OVERALL LENGTH DIMENSION			
REV: D	VERSION: 04	REVISED-01-45-46 09/09/2013	TDR: 000000816614
MODEL NO. 617427-004	REF:		
BY: RAGSSI	Material:		

**BALDOR**

G445TS-444TS STD - FOOTED - SIDE-CENTER C/B

617427-004

617427-004

## DUTY MASTER ALTERNATING CURRENT MOTORS

SQUIRREL-CAGE INDUCTION

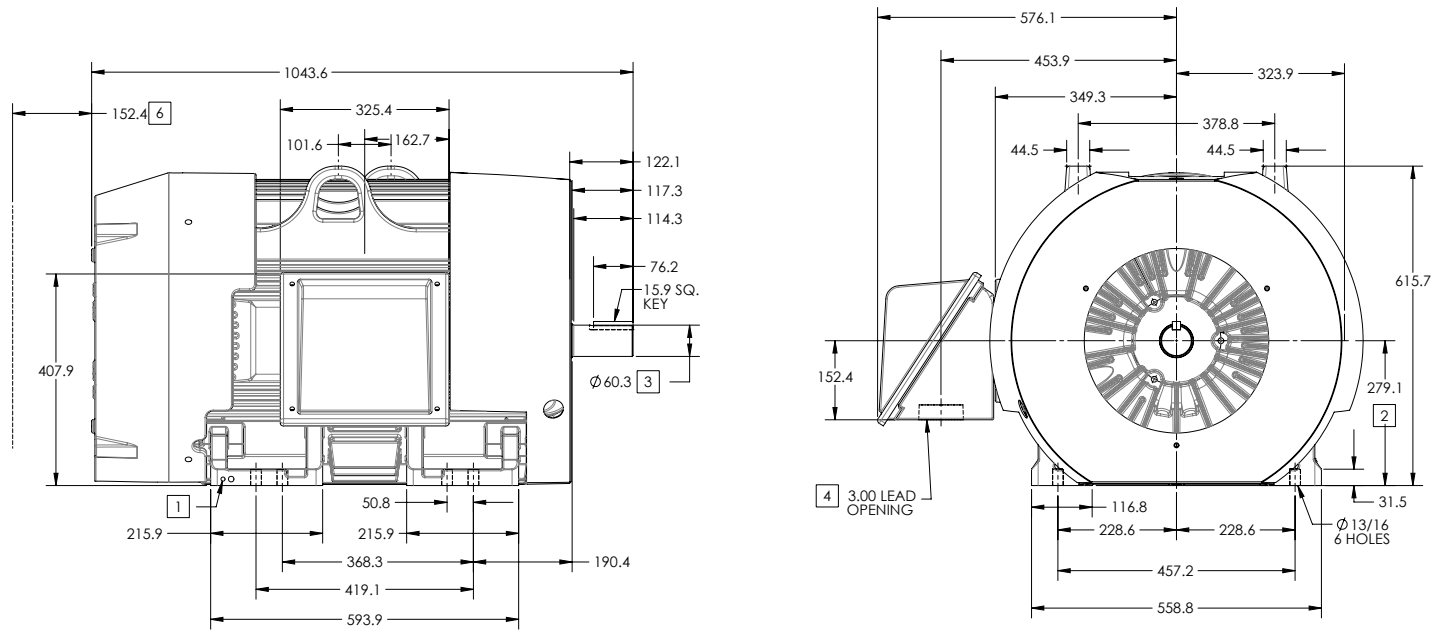
ENCLOSURE: TOTALLY ENCLOSED

FRAME G445TS ABOVE NEMA RATINGS

COOLING: FAN COOLED

MOUNTING: FOOT

INCLUDES 444TS FRAME MOUNTING HOLES



1. GROUND HOLES QTY 1 1/2-13 TAP; QTY 1 3/8-16 TAP
2. VARIES +.00,-.06
3. VARIES +.00,-.001
4. ON STANDARD MOTORS THIS IS CONDUIT SIZE. ON XT AND CORROSION PROOF MOTOR THIS IS PIPE TAP.
5. MOTOR WEIGHTS MAY VARY BY 15% DEPENDING ON RATING.
6. OBSTRUCTION MUST NO ENCROACH ON AIR INLET

CONDUIT BOX LOCATED ON OPPOSITE SIDE WHEN F-2.  
IF MOUNTING CLEARANCE DETAILS ARE REQUIRED, CONSULT FACTORY.  
MAXIMUM PERMISSIBLE SHAFT RUNOUT WHEN MEASURED AT END OF STANDARD SHAFT EXTENSION IS .08 MM T.I.R. TO 127 MM DIA.

**[5] WEIGHT (KGS): 950**

DRIVE END AIR DEFLECTOR IS ONLY INCLUDED WHEN NECESSARY.

DIMENSIONS ARE IN MILLIMETERS; SEE SHEET 1 FOR DIMENSIONS IN INCHES

CUSTOMER IS RESPONSIBLE FOR DETERMINING THAT MOTOR PERFORMANCE IS SUITABLE IN THE APPLICATION.

SHEET NUMBER  
2 OF 2

1007-27219

REV. DESC-ADJUSTED OVERALL LENGTH DIMENSION			
REV: D	VERSION: 04	REVISED-01-45-46-09-09-2013	TDR: 000000816614
MODEL NO. 617427-004		REF:	
BY: RAGSSI	Material:	C	

**BALDOR**

G445TS-444TS STD - FOOTED - SIDE-CENTER C/B

617427-004

416820-036

A-C MOTOR  
 CONNECTION DIAGRAM  
 STANDARD 3 LEAD CONNECTED



(N.P. 1575-BA)

416820-036

REV. DESC: LOADED TO BUS, C/R 335225		
REV. LTR: -	VERSION: 00	TDR: 000000538207
FILE: \MGA\00000\682	REVISED: 11:54:06 04/30/2010	
MTL: -	BY: RAGRA	

**BALDOR**

CONN DIAG - STANDARD 3 LEAD

SH 1 of 1