

# **BALDOR**® • ***RELIANCE***

## **Product Information Packet**

# **EHM2334T-5**

**20HP,1765RPM,3PH,60HZ,256T,0952M,TEFC,F1**

Part Detail							
Revision:	N	Status:	PRD/A	Change #:		Proprietary:	No
Type:	AC	Prod. Type:	0952M	Elec. Spec:	09WGY638	CD Diagram:	CD0006
Enclosure:	TEFC	Mfg Plant:		Mech. Spec:	09J970	Layout:	09LYJ970
Frame:	256T	Mounting:	F1	Poles:	04	Created Date:	12-12-2011
Base:	RG	Rotation:	R	Insulation:	F	Eff. Date:	01-26-2017
Leads:	3#12					Replaced By:	
Literature:		Elec. Diagram:					

Nameplate NP1259L										
CAT.NO.	EHM2334T-5									
SPEC.	09J970Y638G1									
HP	20									
VOLTS	575									
AMP	19.2									
RPM	1765									
FRAME	256T				HZ	60			PH	3
SER.F.	1.15		CODE	H	DES	A		CL	F	
NEMA-NOM-EFF	93		PF	84						
RATING	40C AMB-CONT									
CC	010A				USABLE AT 208V					
DE	6309				ODE	6208				
ENCL	TEFC		SN							

Parts List		
Part Number	Description	Quantity
SA235966	SA 09J970Y638G1	1.000 EA
RA222919	RA 09J970Y638G1	1.000 EA
09FN3001D01	EXTERNAL FAN, PLASTIC	1.000 EA
HW1002A63	WASHER, 5/8 HI-COLLAR SPRLCKWASHER	1.000 EA
09CB3002	CB W/1.38 LEAD HOLE FOR 37, 39, 307 & 30	1.000 EA
09GS1000	GASKET-CONDUIT BOX, 1/16 THICK LEXIDE	1.000 EA
10XN2520K12	1/4-20 X.75 GRD 5	2.000 EA
HW1001A25	LOCKWASHER 1/4, ZINC PLT .493 OD, .255 I	2.000 EA
WD1000B17	T&B CX35TN TERMINAL	1.000 EA
11XW1032G06	10-32 X .38, TAPTITE II, HEX WSHR SLTD U	1.000 EA
09FE1100A14	FREP ASSEMBLY, 09EP1100A14	1.000 EA
XY3816A12	3/8-16 FINISHED NUT	4.000 EA
HW1001A38	LOCKWASHER 3/8, ZINC PLT .688 OD, .382 I	4.000 EA
HW5100A08	W3118-035 WVY WSHR (WB)	1.000 EA
10XN2520K28	1/4-20 X 1.75" HX HD SCRWGRADE 5, ZINC P	2.000 EA
HW1001A25	LOCKWASHER 1/4, ZINC PLT .493 OD, .255 I	2.000 EA
09EP1101A132	PU ENDPLATE, MACH	1.000 EA
10XN2520K36	1/4-20 X 2.25" HX HD SCRWGRADE 5, ZINC P	4.000 EA
HW1001A25	LOCKWASHER 1/4, ZINC PLT .493 OD, .255 I	4.000 EA
HA3113A02	THRUBOLT 3/8-16 X 16.750	4.000 EA
HW1001A38	LOCKWASHER 3/8, ZINC PLT .688 OD, .382 I	4.000 EA
09FH4000SP	FAN COVER, STAMPED	1.000 EA
HA2081A05	SPACER TUBE, 309 FAN HSG, 2.00 LONG	4.000 EA
XY3816A12	3/8-16 FINISHED NUT	4.000 EA

Parts List (continued)		
Part Number	Description	Quantity
HW1001A38	LOCKWASHER 3/8, ZINC PLT .688 OD, .382 I	4.000 EA
09CB3501	CONDUIT BOX LID FOR 09CB3001 & 09CB3002	1.000 EA
09GS1013	09 GS FOR 09CB3501 LID - LEXIDE	1.000 EA
51XW2520A12	.25-20 X .75, TAPTITE II, HEX WSHR SLTD	2.000 EA
HW2501G25	KEY, 3/8 SQ X 2.875	1.000 EA
LB1115N	LABEL,LIFTING DEVICE (ON ROLLS)	1.000 EA
MN416A01	TAG-INSTAL-MAINT no wire (1000/bx) 11/14	1.000 EA
HA4051A00	PLASTIC CAP FOR GREASE FITTING	1.000 EA
HW4500A20	1/8NPT SL PIPE PLUG	1.000 EA
HA4054	SHORT T-DRAIN FITTING, .125" N.P.T.	1.000 EA
HW4500A20	1/8NPT SL PIPE PLUG	1.000 EA
MJ1000A02	GREASE, POLYREX EM EXXON (USe 4824-15A)	0.080 LB
HA4051A00	PLASTIC CAP FOR GREASE FITTING	1.000 EA
HW4500A20	1/8NPT SL PIPE PLUG	1.000 EA
HA4054	SHORT T-DRAIN FITTING, .125" N.P.T.	1.000 EA
HW4500A20	1/8NPT SL PIPE PLUG	1.000 EA
HW2500A25	WOODRUFF KEY USA #1008 #BLOW CARBON STEE	1.000 EA
51XB1214A20	12-14X1.25 HXWSSLD SERTYB	1.000 EA
MG1000G27	MED CHARCOAL METALLIC GREY 400-0096	0.050 GA
85XU0407S04	4X1/4 U DRIVE PIN STAINLESS	2.000 EA
84XN0540J08	5-40 X 1/2" SHCS, BLACK OXIDE	2.000 EA
LB1119N	WARNING LABEL	1.000 EA
LC0006	CONNECTION LABEL	1.000 EA
NP1259L	ALUM SUPER-E UL CSA-EEV CC NEMA PREMIUM	1.000 EA

09PA1000	PACKAGING GROUP COMBINED PRINT	1.000 EA
LB1350	BAR CODE LABEL FOR YORK	1.000 EA

**AC Induction Motor Performance Data**  
Record # 2074 - Typical performance - not guaranteed values

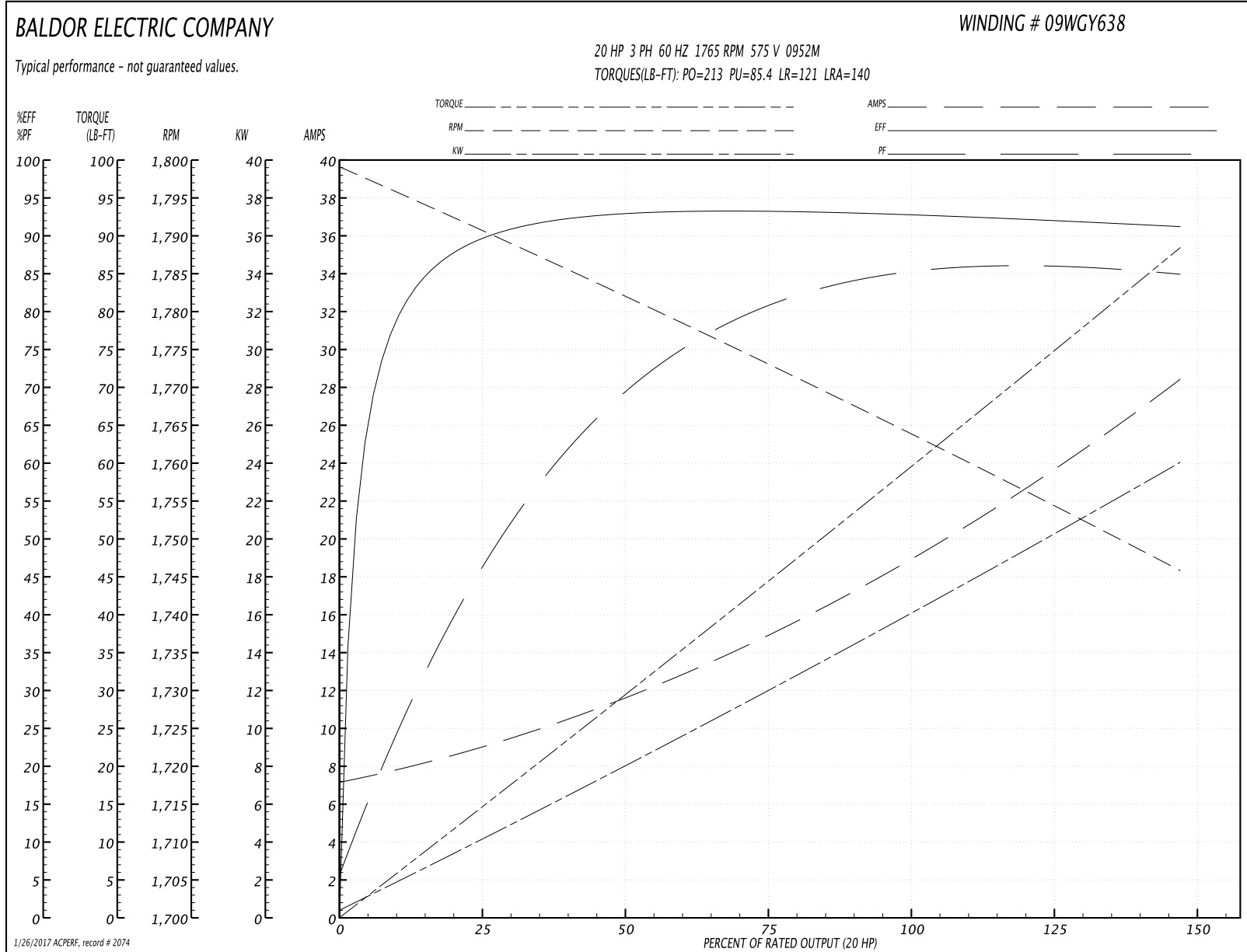
<b>Winding:</b> 09WGY638-R001	<b>Type:</b> 0952M	<b>Enclosure:</b> TEFC
-------------------------------	--------------------	------------------------

Nameplate Data				575 V, 60 Hz: Single Voltage Motor	
Rated Output (HP)	20			Full Load Torque	59 LB-FT
Volts	575			Start Configuration	direct on line
Full Load Amps	19.2			Breakdown Torque	213 LB-FT
R.P.M.	1765			Pull-up Torque	85.4 LB-FT
Hz	60	Phase	3	Locked-rotor Torque	121 LB-FT
NEMA Design Code	A	KVA Code	H	Starting Current	140 A
Service Factor (S.F.)	1.15			No-load Current	7.5 A
NEMA Nom. Eff.	93	Power Factor	84	Line-line Res. @ 25°C	0.617 Ω
Rating - Duty	40C AMB-CONT			Temp. Rise @ Rated Load	60°C
S.F. Amps				Temp. Rise @ S.F. Load	74°C
				Locked-rotor Power Factor	33
				Rotor inertia	2.27 LB-FT <sup>2</sup>

Load Characteristics 575 V, 60 Hz, 20 HP

% of Rated Load	25	50	75	100	125	150	S.F.
Power Factor	46	69	80	84	86	87	85
Efficiency	89	92.8	93.1	93	92.2	91.1	92.5
Speed	1791	1783	1770	1766	1756	1745	1760
Line amperes	8.6	11.2	15.3	19	23.3	28.3	21.6

Performance Graph at 575V, 60Hz, 20.0HP Typical performance - Not guaranteed values



**AC Induction Motor Performance Data**

Record # 35473 - Typical performance - not guaranteed values

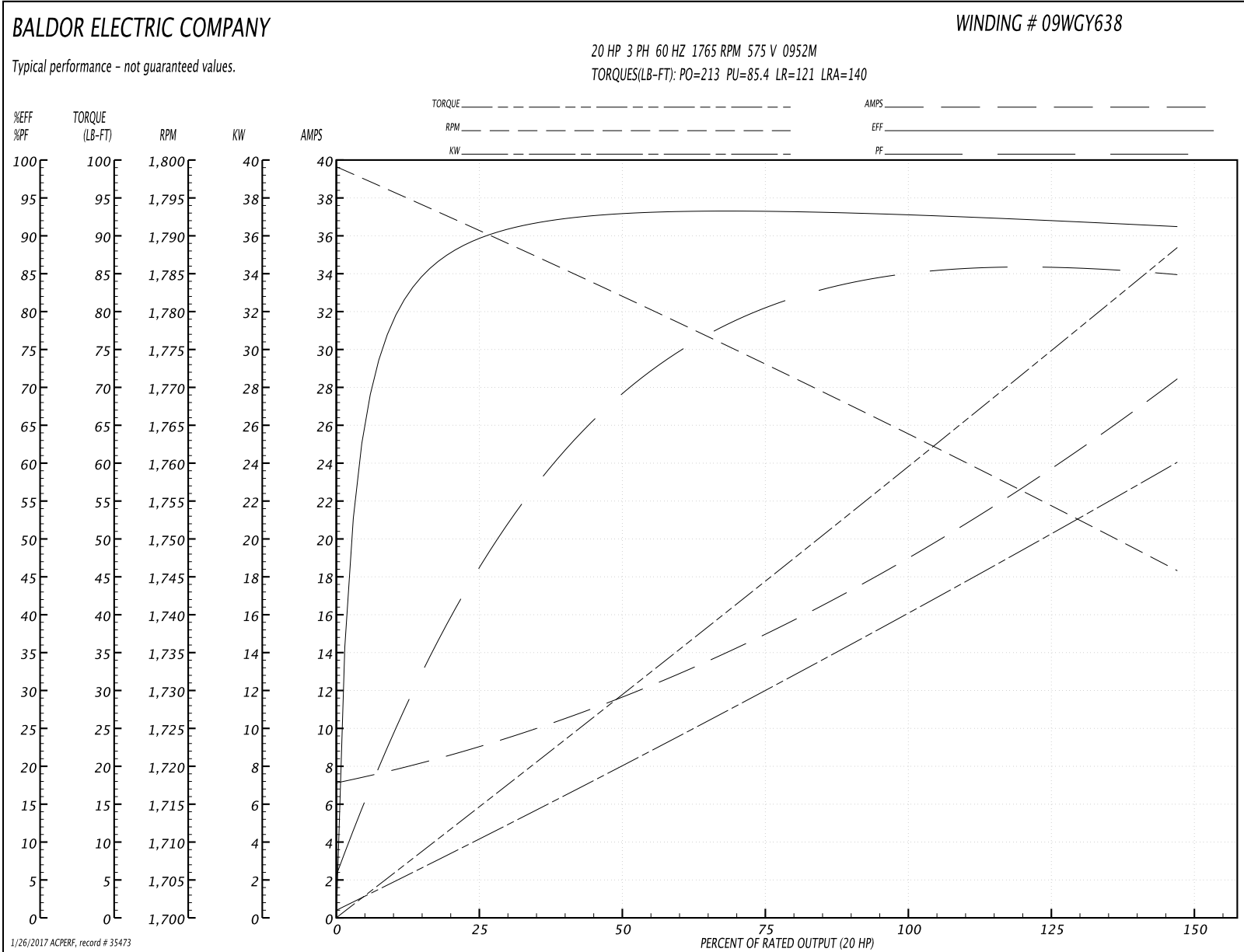
<b>Winding:</b> 09WGY638-R010	<b>Type:</b> 0952M	<b>Enclosure:</b> TEFC
-------------------------------	--------------------	------------------------

Nameplate Data				575 V, 60 Hz: Single Voltage Motor	
Rated Output (HP)	20			Full Load Torque	59 LB-FT
Volts	575			Start Configuration	direct on line
Full Load Amps	19.2			Breakdown Torque	213 LB-FT
R.P.M.	1765			Pull-up Torque	85.4 LB-FT
Hz	60	Phase	3	Locked-rotor Torque	121 LB-FT
NEMA Design Code	A	KVA Code	H	Starting Current	140 A
Service Factor (S.F.)	1.15			No-load Current	7.5 A
NEMA Nom. Eff.	93	Power Factor	84	Line-line Res. @ 25°C	0.617 Ω
Rating - Duty	40C AMB-CONT			Temp. Rise @ Rated Load	60°C
S.F. Amps				Temp. Rise @ S.F. Load	74°C
				Locked-rotor Power Factor	33
				Rotor inertia	2.27 LB-FT <sup>2</sup>

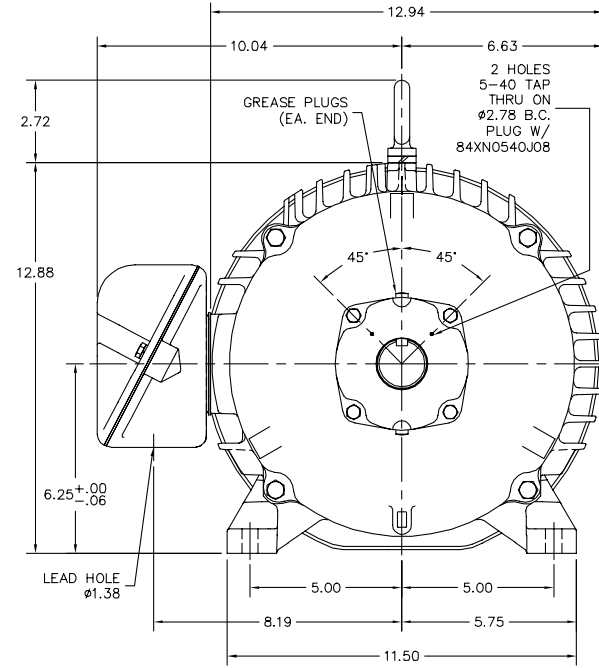
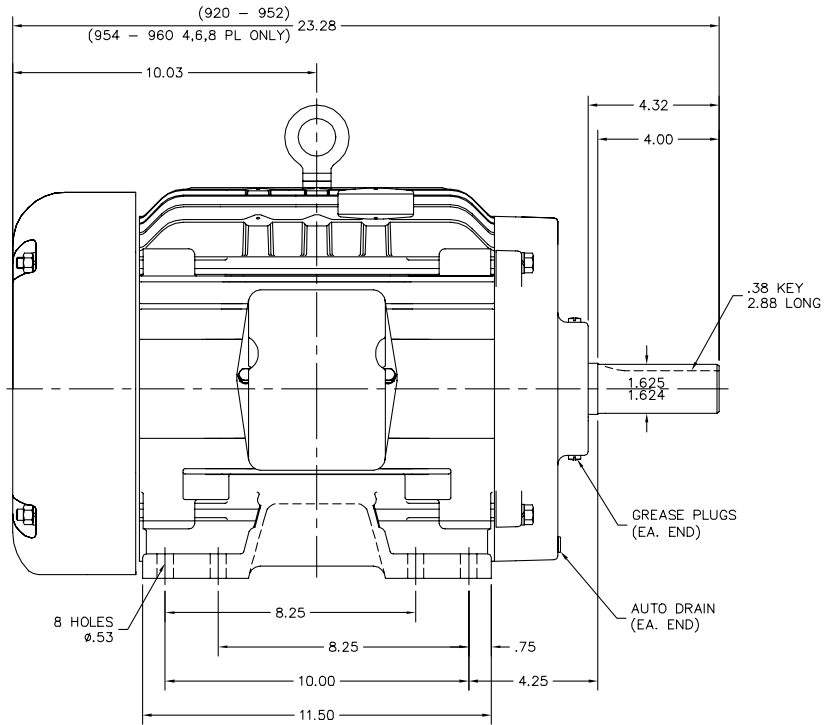
Load Characteristics 575 V, 60 Hz, 20 HP

% of Rated Load	25	50	75	100	125	150	S.F.
Power Factor	46	69	80	84	86	87	85
Efficiency	89	92.8	93.1	93	92.2	91.1	92.5
Speed	1791	1783	1770	1766	1756	1745	1760
Line amperes	8.6	11.2	15.3	19.2	23.3	28.3	21.6

Performance Graph at 575V, 60Hz, 20.0HP Typical performance - Not guaranteed values



09LYJ970



09LYJ970

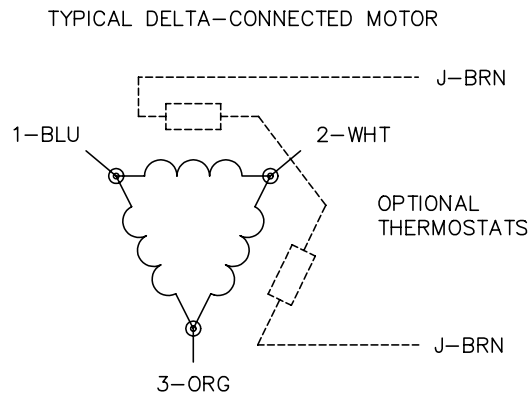
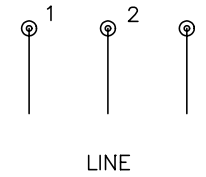
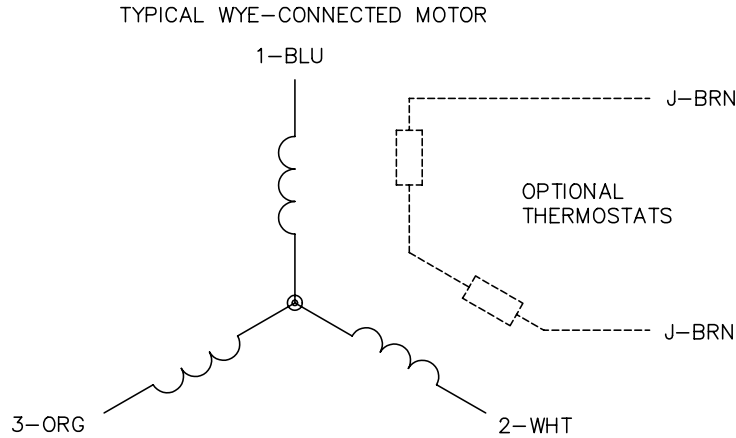
CUSTOMER IS RESPONSIBLE FOR DETERMINING THAT BALDOR'S PRODUCT WILL PERFORM SUITABLY IN THE INTENDED APPLICATION.

REV. DESC: REMOVE LOCKNUT	VERSION: 04	TDR: 000000952626
REV. LTR: D	REVISED: 04:01:34 11/09/2015	BY: ENMARSO
FILE: \AAA\00187\565		
MTL: -		

**BALDOR**

HORZ TEFC 254-6T W/ 1/2 RING SH GND MTG  
SH 1 of 1

CD0006



NOTES:

1. THREE LEAD MOTOR MAY BE EITHER WYE CONNECTED OR DELTA CONNECTED.
2. INTERCHANGE ANY TWO LINE LEADS TO REVERSE ROTATION.
3. OPTIONAL THERMOSTATS ARE PROVIDED WHEN SPECIFIED.
4. ACTUAL NUMBER OF INTERNAL PARALLEL CIRCUITS MAY VARY.
5. LEAD COLORS ARE OPTIONAL. LEADS MUST BE NUMBERED AS SHOWN.

REV. DESC: REVISE TO SHOW OPTIONAL COLORS			
REV. LTR: D	BY: JLP	REVISED: 01/21/99 4:02	TDR: 0171435
9000D		FILE: AAA00005141	MDL: -
		MTL: -	

**BALDOR ELECTRIC Co.**

3PH, SV, 3 LEADS, WYE OR DELTA CONNECTED

CD0006

Marketing maintained PDF of MN416:

<http://www.baldor.com/support/Literature/Load.ashx/MN416?ManNumber=MN416>