

# **BALDOR**® • *RELIANCE*

## Product Information Packet

# EJPM2394T

15HP,3525RPM,3PH,60HZ,254JP,0930M,TEFC,F

Part Detail							
Revision:	K	Status:	PRD/A	Change #:		Proprietary:	No
Type:	AC	Prod. Type:	0930M	Elec. Spec:	09WGZ587	CD Diagram:	CD0180
Enclosure:	TEFC	Mfg Plant:		Mech. Spec:	09P28	Layout:	09LYP028
Frame:	254JP	Mounting:	F1	Poles:	02	Created Date:	04-29-2010
Base:	RG	Rotation:	R	Insulation:	F	Eff. Date:	01-26-2017
Leads:	9#12					Replaced By:	
Literature:		Elec. Diagram:					

<b>Nameplate NP3441L</b>										
<b>CAT.NO.</b>	EJPM2394T									
<b>SPEC.</b>	09P028Z587G1									
<b>HP</b>	15									
<b>VOLTS</b>	230/460									
<b>AMP</b>	35.6/17.8									
<b>RPM</b>	3525									
<b>FRAME</b>	254JP				<b>HZ</b>	60			<b>PH</b>	3
<b>SER.F.</b>	1.15		<b>CODE</b>	H	<b>DES</b>	B		<b>CL</b>	F	
<b>NEMA-NOM-EFF</b>	91		<b>PF</b>	86						
<b>RATING</b>	40C AMB-CONT									
<b>CC</b>	010A				<b>USABLE AT 208V</b>			38		
<b>DE</b>	6309				<b>ODE</b>	6208				
<b>ENCL</b>	TEFC		<b>SN</b>							
<b>VPWM INVERTER READY</b> CT6-60H(10:1)VT3-60H(20:1)										

Parts List		
Part Number	Description	Quantity
SA194222	SA 09P028Z587G1	1.000 EA
RA181810	RA 09P028Z587G1	1.000 EA
37FN3002C02	EXFN, PLASTIC, 6.00 OD, 1.500 ID	1.000 EA
HW1002A63	WASHER, 5/8 HI-COLLAR SPRLCKWASHER	1.000 EA
09CB3002	CB W/1.38 LEAD HOLE FOR 37, 39, 307 & 30	1.000 EA
09GS1000	GASKET-CONDUIT BOX, 1/16 THICK LEXIDE	1.000 EA
10XN2520K12	1/4-20 X.75 GRD 5	2.000 EA
WD1000B17	T&B CX35TN TERMINAL	1.000 EA
11XW1032G06	10-32 X .38, TAPTITE II, HEX WSHR SLTD U	1.000 EA
09FE1100A14	FREP ASSEMBLY, 09EP1100A14	1.000 EA
XY3816A12	3/8-16 FINISHED NUT	4.000 EA
HW1001A38	LOCKWASHER 3/8, ZINC PLT .688 OD, .382 I	4.000 EA
HW5100A08	W3118-035 WVY WSHR (WB)	1.000 EA
10XN2520K28	1/4-20 X 1.75" HX HD SCRWGRADE 5, ZINC P	2.000 EA
HW1001A25	LOCKWASHER 1/4, ZINC PLT .493 OD, .255 I	2.000 EA
HW1001A25	LOCKWASHER 1/4, ZINC PLT .493 OD, .255 I	2.000 EA
09EP1300A14	FACE MTD.E.P.,309,ENCL,254-6JP,309 BRG	1.000 EA
HA2009A02	SLINGER MODEL 37 PUMP MOTORS-2.75 DIA. A	1.000 EA
80XN1032A06	10-32 X 3/8 SET SC HEX SOCK	1.000 EA
10XN2520K36	1/4-20 X 2.25" HX HD SCRWGRADE 5, ZINC P	4.000 EA
HW1001A25	LOCKWASHER 1/4, ZINC PLT .493 OD, .255 I	4.000 EA
HA3113A02	THRUBOLT 3/8-16 X 16.750	4.000 EA
HW1001A38	LOCKWASHER 3/8, ZINC PLT .688 OD, .382 I	4.000 EA
09FH4000SP	FAN COVER, STAMPED	1.000 EA

Parts List (continued)		
Part Number	Description	Quantity
HA2081A05	SPACER TUBE, 309 FAN HSG, 2.00 LONG	4.000 EA
XY3816A12	3/8-16 FINISHED NUT	4.000 EA
HW1001A38	LOCKWASHER 3/8, ZINC PLT .688 OD, .382 I	4.000 EA
09CB3501	CONDUIT BOX LID FOR 09CB3001 & 09CB3002	1.000 EA
09GS1013	09 GS FOR 09CB3501 LID - LEXIDE	1.000 EA
51XW2520A12	.25-20 X .75, TAPTITE II, HEX WSHR SLTD	2.000 EA
HW2501E22	KEY, 1/4 SQ X 2.500	1.000 EA
LB1115N	LABEL,LIFTING DEVICE (ON ROLLS)	1.000 EA
MN416A01	TAG-INSTAL-MAINT no wire (1000/bx) 11/14	1.000 EA
HW4500A05	1669B ALEM/UNIV860 GR FTG X	1.000 EA
HW4500A17	317400 ALEMITE GREASE RELIEF	1.000 EA
HA4051A00	PLASTIC CAP FOR GREASE FITTING	1.000 EA
HA4054	SHORT T-DRAIN FITTING, .125" N.P.T.	1.000 EA
HA4054	SHORT T-DRAIN FITTING, .125" N.P.T.	1.000 EA
MJ1000A02	GREASE, POLYREX EM EXXON (USe 4824-15A)	0.080 LB
HW4500A03	GREASE FITTING, .125 NPT 1610(ALEMITE) 8	1.000 EA
HW4500A17	317400 ALEMITE GREASE RELIEF	1.000 EA
HA4051A00	PLASTIC CAP FOR GREASE FITTING	1.000 EA
HW2500A25	WOODRUFF KEY USA #1008 #BLOW CARBON STEE	1.000 EA
51XB1214A20	12-14X1.25 HXWSSLD SERTYB	1.000 EA
MG1000Y03	MUNSELL 2.53Y 6.70/ 4.60, GLOSS 20,	0.050 GA
85XU0407S04	4X1/4 U DRIVE PIN STAINLESS	2.000 EA
LB1119N	WARNING LABEL	1.000 EA
LC0181	CONNECTION LABEL	1.000 EA

NP3441L	ALUM SUPER-E VPWM INVERTER READY UL	1.000 EA
40PA1005	PACKAGING GROUP, 09 STD	1.000 EA

**AC Induction Motor Performance Data**

Record # 30972 - Typical performance - not guaranteed values

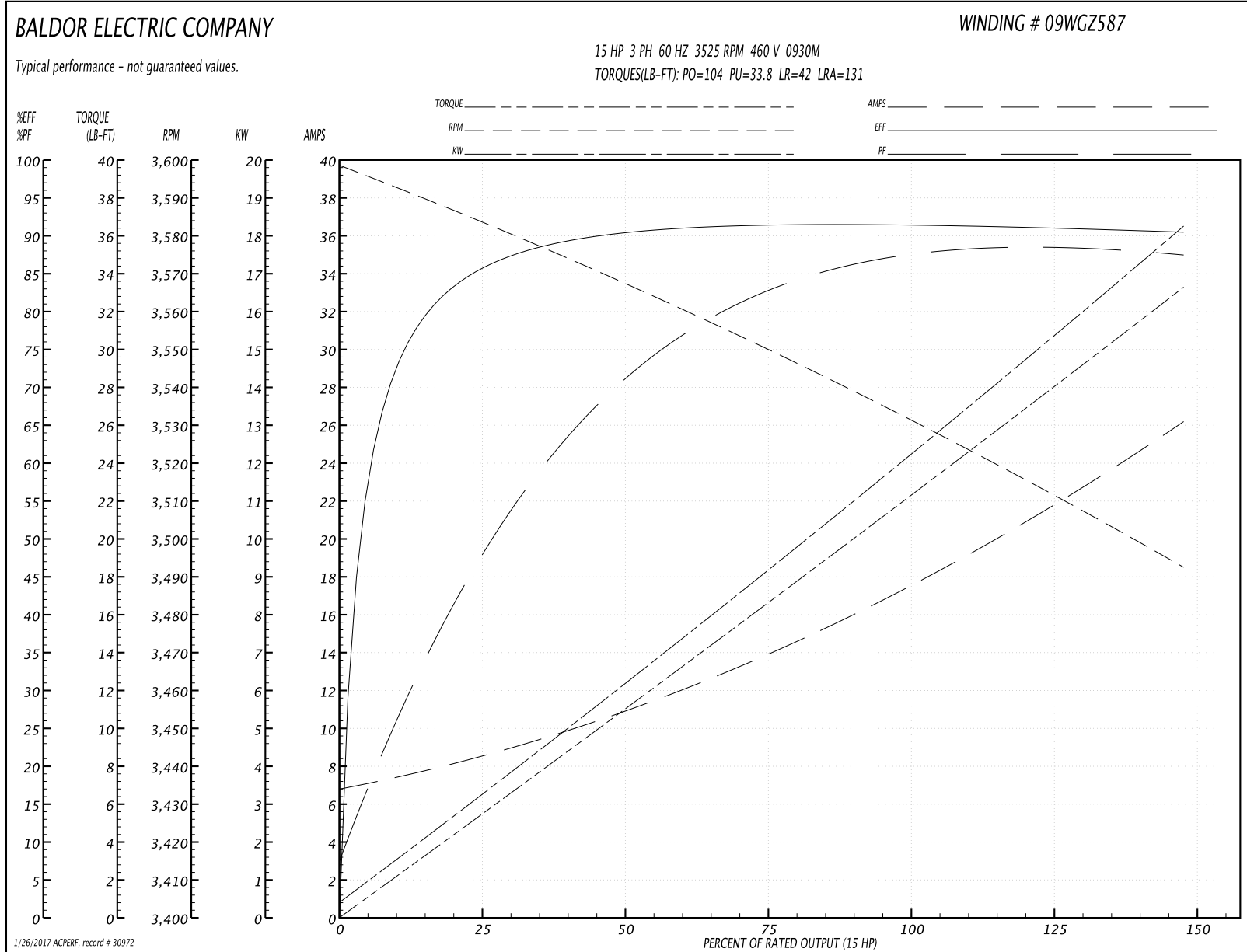
<b>Winding:</b> 09WGZ587-R001	<b>Type:</b> 0930M	<b>Enclosure:</b> TEFC
-------------------------------	--------------------	------------------------

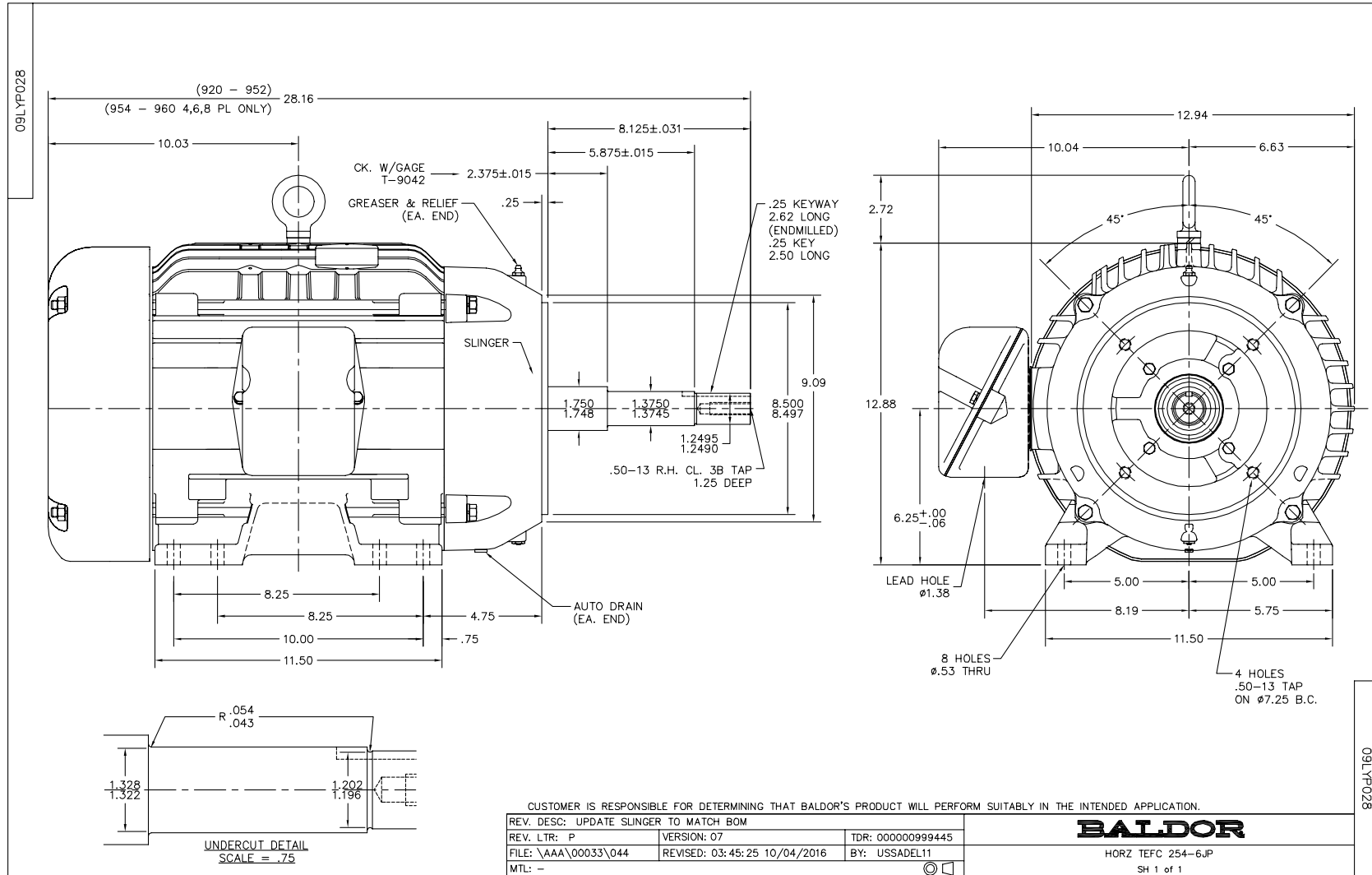
Nameplate Data				460 V, 60 Hz: High Voltage Connection	
Rated Output (HP)	15			Full Load Torque	22.2 LB-FT
Volts	230/460			Start Configuration	direct on line
Full Load Amps	35.6/17.8			Breakdown Torque	104 LB-FT
R.P.M.	3525			Pull-up Torque	33.8 LB-FT
Hz	60	Phase	3	Locked-rotor Torque	42 LB-FT
NEMA Design Code	B	KVA Code	H	Starting Current	131 A
Service Factor (S.F.)	1.15			No-load Current	7.11 A
NEMA Nom. Eff.	91	Power Factor	86	Line-line Res. @ 25°C	0.603 Ω
Rating - Duty	40C AMB-CONT			Temp. Rise @ Rated Load	59°C
S.F. Amps				Temp. Rise @ S.F. Load	73°C
				Locked-rotor Power Factor	30
				Rotor inertia	0.766 LB-FT <sup>2</sup>

**Load Characteristics 460 V, 60 Hz, 15 HP**

% of Rated Load	25	50	75	100	125	150	S.F.
Power Factor	51	73	82	86	88	88	87
Efficiency	85.5	90.4	91.3	91.4	91.3	90.4	91.3
Speed	3583	3567	3550	3532	3513	3492	3521
Line amperes	8.17	10.7	14	17.8	21.7	26	20.1

Performance Graph at 460V, 60Hz, 15.0HP Typical performance - Not guaranteed values

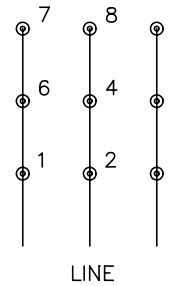




CD0180



LOW VOLTAGE  
(2D)



HIGH VOLTAGE  
(1D)



NOTES:

1. INTERCHANGE ANY TWO LINE LEADS TO REVERSE ROTATION.
2. OPTIONAL THERMOSTATS ARE PROVIDED WHEN SPECIFIED.
3. ACTUAL NUMBER OF INTERNAL PARALLEL CIRCUITS MAY BE A MULTIPLE OF THOSE SHOWN ABOVE.
4. LEAD COLORS ARE OPTIONAL. LEADS MUST ALWAYS BE NUMBERED AS SHOWN.

REV. DESC: REVISE TO SHOW OPTIONAL COLORS			
REV. LTR: C	BY: JLP	REVISED: 01/21/99 2:28	TDR: 0171435
0810D0		FILE: AAA00005148	MDL: -
		MTL: -	

**BALDOR ELECTRIC Co.**

3PH, DV, 9 LEADS, DELTA CONNECTION

CD0180

Marketing maintained PDF of MN416:

<http://www.baldor.com/support/Literature/Load.ashx/MN416?ManNumber=MN416>