

BALDOR® • **RELIANCE**

Product Information Packet

EM2571T-4

350HP,3570RPM,3PH,60HZ,449TS,DP,F1

Part Detail							
Revision:	-	Status:	PRD/A	Change #:		Proprietary:	No
Type:	AC	Prod. Type:	A44112M	Elec. Spec:	A44WG4252	CD Diagram:	416820-008
Enclosure:	DP	Mfg Plant:		Mech. Spec:		Layout:	604989-380
Frame:	449TS	Mounting:	F1	Poles:	02	Created Date:	05-06-2015
Base:		Rotation:	R	Insulation:	F	Eff. Date:	05-07-2015
Leads:	6#2 (02 per group)					Replaced By:	
Literature:		Elec. Diagram:					

Nameplate NP2496L	
MOBIL POLYREX EM	

Nameplate NP2349L									
SPEC NO.	A44-7216-4252	CAT.NO.	EM2571T-4	FRAME	449TS				
HP	350	VOLTS	460	PHASE	3	DESIGN	B	TYPE	P
RPM	3570	AMPS	380	HZ	60	AMB	40	SF	1.15
DRIVE END BEARING	65BC03J30X	DUTY	CONT	INSUL.CLASS	F				
OPP D.E. BEARING	65BC03J30X	ENCL	DP	CODE	F				
SER.NO.		POWER FACTOR	90	NEMA-NOM-EFFICIENCY	95.4				
				MAX CORR KVAR	59.9	GUARANTEED EFFICIENCY	94.5		
				NEMA NOM/CSA QUOTED EFF					
				MOTOR WEIGHT	2100				

Parts List		
Part Number	Description	Quantity
SA300248	SA A44-7216-4252	1.000 EA
RA287298	RA A44-7216-4252	1.000 EA
421948044	LABEL, MYLAR	1.000 EA
NP2496L	MOTOR LUBE NAMEPLATE	1.000 EA
000613006PU	N/P (RELEASE QTY 10,000) UL CSA LABLE	1.000 EA
000692000FF	N/P	1.000 EA
000692000VD	LABEL WARNING	1.000 EA
NP2349L	SUPER-E ,SS, CSA, CSA SUPER-E	1.000 EA
702611001A	BAFFL 440 SUB PAINT	1.000 EA
089438082A	BRKT 440 089438081WCB	1.000 EA
032018028EK	HHCS 5/8-11X3-1/2L PLTD	4.000 EA
032018028CK	HHCS 3/8-16X3-1/2 PLTD.	3.000 EA
410700004F	WSHR	1.000 EA
035000001G	GREASE RELIEF FITTING, ALEMITE 317400	1.000 EA
034017012AB	LCKW 1/4 STD. PLATED	4.000 EA
405851012AB	SPACE	4.000 EA
032018006AK	HHCS 1/4-20X3/4L PLATED	4.000 EA
034000012AB	WSHR 1/4 STD. PLATED	4.000 EA
034600001AA	BUSH 1/4TO1/8 BLACK	1.000 EA
405851012AB	SPACE	4.000 EA
034017012AB	LCKW 1/4 STD. PLATED	4.000 EA
034600001AA	BUSH 1/4TO1/8 BLACK	1.000 EA
034000012AB	WSHR 1/4 STD. PLATED	4.000 EA
032018006AK	HHCS 1/4-20X3/4L PLATED	4.000 EA

Parts List (continued)		
Part Number	Description	Quantity
089438082A	BRKT 440 089438081WCB	1.000 EA
702611001A	BAFFL 440 SUB PAINT	1.000 EA
032018028EK	HHCS 5/8-11X3-1/2L PLTD	4.000 EA
032018028CK	HHCS 3/8-16X3-1/2 PLTD.	3.000 EA
035000001G	GREASE RELIEF FITTING, ALEMITE 317400	1.000 EA
406056008A	GASKET, TERBD 440	1.000 EA
418150003A	GREASE FITTING CAP	1.000 EA
032018008DK	HHCS 1/2-13X1 PLATED	4.000 EA
048897010DG	PLUG,ODE BRKT - 360	1.000 EA
048977006J	GRFTG - 440	1.000 EA
702616012T	CONDUIT BOX	1.000 EA
035000001A	ALFTG 1/8" 1610-BL	1.000 EA
035000001A	ALFTG 1/8" 1610-BL	1.000 EA
418150003A	GREASE FITTING CAP	1.000 EA
MG1025Y03	WILKOFAS, 789.701, SUPER E PEARL GOLD	2.000 QT
033775004EA	DRSCR #6-1/4 304 S.S.	2.000 EA
034180024HA	KEY 5/8X5/8X3 L	1.000 EA
604797056	400-447 FRAME 60 X 42	1.000 EA
032510026D	CARRIAGE BOLT - 440	2.000 EA
034001014AB	FLAT WASHER 3/8"PLATED	2.000 EA
034001016AB	WSHR .562ID 1.375OD .109	2.000 EA
033300014AC	HEX NUT, SHIPPING - 400	2.000 EA
604797003C	SHIPPING BAG	1.000 EA

REL. S.O.	FRAME	HP	TYPE	PHASE/ HERTZ	RPM	VOLTS
449TS	449TS	350	P	3/60	3570	460
AMPS	DUTY	AMB °C/ INSUL.	S.F.	NEMA DESIGN	CODE LETTER	ENCL.
380	CONT	40/F	1.15	B	F	ODP
E/S	ROTOR	TEST S.O.	TEST DATE	STATOR RES. @25 °C OHMS (BETWEEN LINES)		
444252	418143016KE	---	---	.0103		

PERFORMANCE


LOAD	HP	AMPERES	RPM	POWER FACTOR %	EFFICIENCY %
NO LOAD	0	83.6	3600	6.42	0
1/4	87.6	122	3593	72.3	93.3
2/4	175	194	3586	88.6	95.5
3/4	262	281	3579	91.2	95.8
4/4	350	380	3571	90.2	95.6
5/4	438	490	3562	87.9	95.2

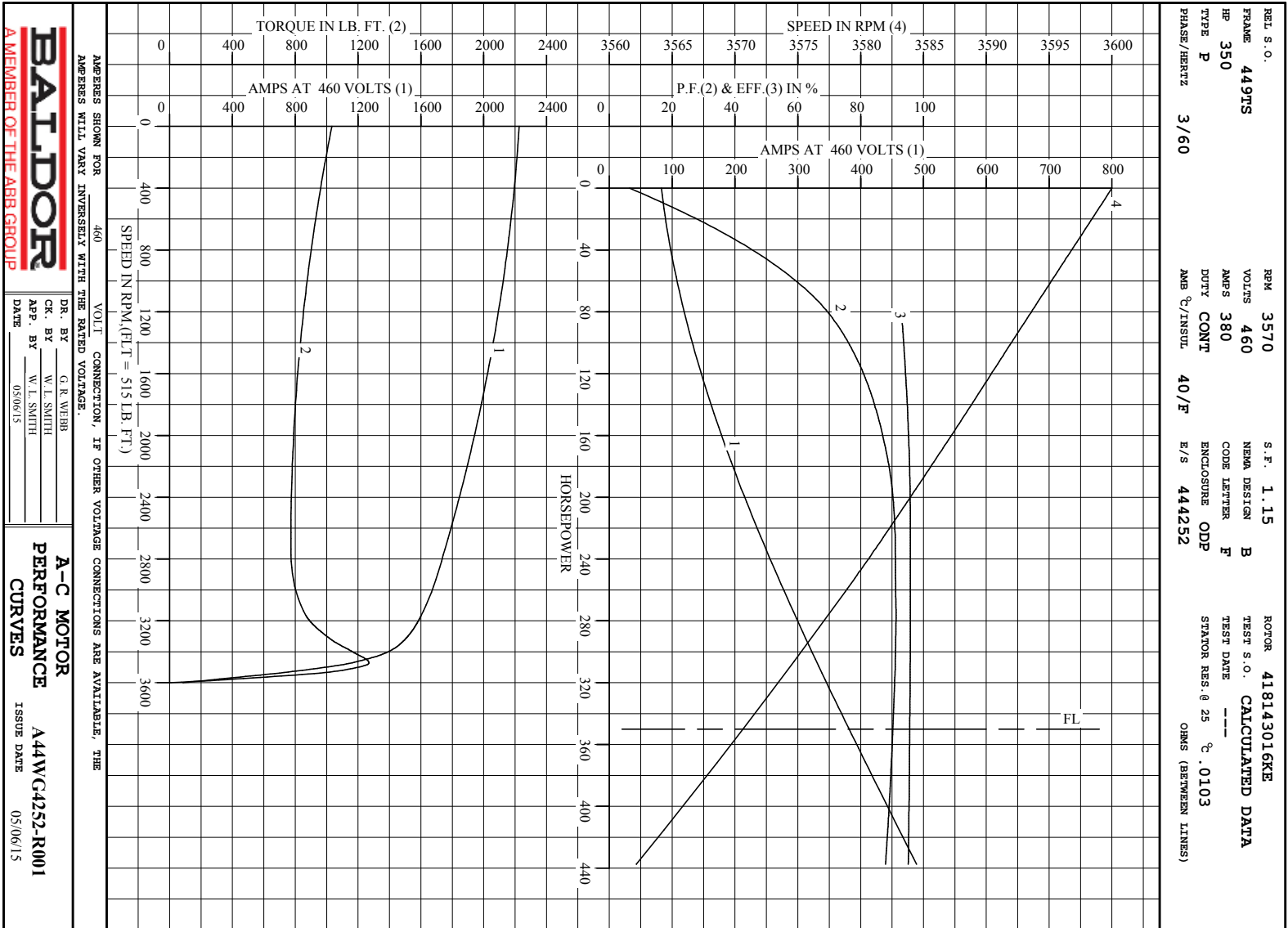
SPEED TORQUE

	RPM	TORQUE % FULL LOAD	TORQUE LB.-FT.	AMPERES
LOCKED ROTOR	0	201	1033	2226
PULL UP	2695	150	773	1765
BREAKDOWN	3472	247	1270	1157
FULL LOAD	3571	100	515	380

AMPERES SHOWN FOR 460. VOLT CONNECTION. IF OTHER VOLTAGE CONNECTIONS ARE AVAILABLE, THE AMPERES WILL VARY INVERSELY WITH THE RATED VOLTAGE

REMARKS : CALCULATED DATA

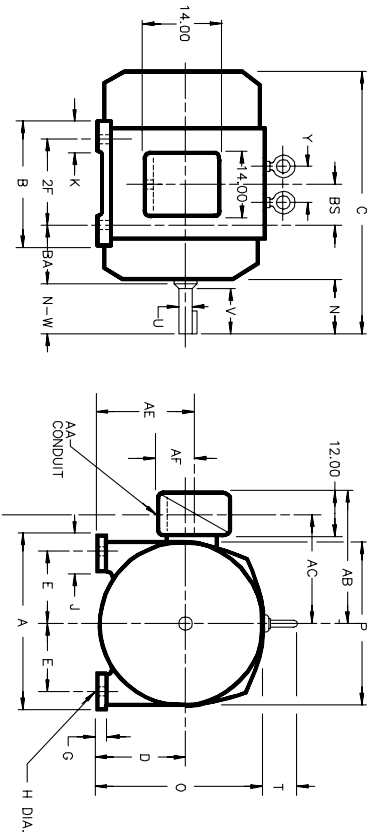
 <p>A MEMBER OF THE ABB GROUP</p>	DR. BY <u> </u> G. R. WEBB CR. BY <u> </u> W. I. SMITH APP. BY <u> </u> W. I. SMITH DATE <u> </u> 05/06/15	A-C MOTOR PERFORMANCE DATA A44WG4252-R001 ISSUE DATE 05/06/15
--	---	--



Printed on 5/6/15 10:35 @ zagsun

604989-380

DUTY MASTER ALTERNATING CURRENT MOTORS
 ENCLOSURE: PROTECTED SQUIRREL-CAGE INDUCTION COOLING: SELF-VENTILATED
 TOTALLY ENCLOSED NON-VENTILATED
 MOUNTING: FOOT
 FRAMES 445T THRU 449TS ABOVE NEMA RATINGS
 WITH SPECIAL CONDUIT BOX



DIMENSIONS ARE IN INCHES

FRAME	A	D(2)	E	G	H	J	O	P	BA	K	T	Y (4)
445T	21.00	11.00	9.00	1.12	.81	3.25	23.62	24.25	7.50	3.25	3.25	---
447S	21.00	11.00	9.00	1.12	.81	3.25	23.62	24.25	7.50	3.25	3.25	---
447T	21.00	11.00	9.00	1.12	.81	3.25	24.25	24.25	7.50	3.25	4.25	5.00
447S	21.00	11.00	9.00	1.12	.81	3.25	24.25	24.25	7.50	3.25	4.25	5.00
449T	21.00	11.00	9.00	1.12	.81	3.25	24.25	24.25	7.50	3.25	4.25	5.00
449TS	21.00	11.00	9.00	1.12	.81	3.25	24.25	24.25	7.50	3.25	4.25	5.00

FRAME	C	BS	B	BACK END SHAFT AND KEY	SO.	WT.
445T	39.56	8.25	19.00	2F N N-W U(3)	V LGTH.	KEY (LBS)
447S	35.81	8.25	19.00	8.94 8.50 3.375 8.25 6.88	.875	1410
447T	43.06	10.00	22.50	20.00 8.94 8.50 3.375 8.25 6.88	.875	1750
447S	39.31	10.00	22.50	20.00 5.19 4.75 2.375 4.50 3.00	.625	1750
449T	48.06	12.50	27.50	25.00 8.94 8.50 3.375 8.25 6.88	.875	2100
449TS	44.31	12.50	27.50	25.00 5.19 4.75 2.375 4.50 3.00	.625	2100

FRAME	AA	AB	AC	AF	PROT	AE
445T	4"	24.63	18.63	7.00	12.00	11.00
447S	4"	24.63	18.63	7.00	12.00	11.00
447T	4"	24.63	18.63	7.00	12.00	11.00
449T	4"	24.63	18.63	7.00	12.00	11.00
449TS	4"	24.63	18.63	7.00	12.00	11.00

- (1) SPECIAL DIMENSIONS ON THIS LINE
- (2) "D" VARIES +.00, -.06
- (3) "U" & "V" VARY +.00, -.001
- (4) 445 FRAME HAS ONE EYEBOULT CENTERLINE OF FRAME.

CONDUIT BOX LOCATED ON OPPOSITE SIDE WHEN F-2, W-1, W-4, W-5, W-7, OR C-1 MOUNTING IS SPECIFIED. STANDARD DOUBLE SHAFT SUPPLIED ONLY WHEN SPECIFIED. IF MOUNTING CLEARANCE DETAILS ARE REQUIRED CONSULT FACTORY. MAXIMUM PERMISSIBLE SHAFT ROUNDOFF WHEN MEASURED AT END OF STANDARD SHAFT EXTENSION IS .003 T.I.R.

FRAME _____ TYPE _____ CERTIFIED FOR _____
 ORDER _____ ITEM _____ HP _____ RPM _____ PH _____ HZ _____ VOLTS _____
 SALES ORDER _____ APPROVED BY _____ DATE _____

689-698909

CUSTOMER IS RESPONSIBLE FOR DETERMINING THAT BALDOR'S PRODUCT WILL PERFORM SUITABLY IN THE INTENDED APPLICATION.

REV. DESC: CHANGING TO CORRECT TITLE	VERSION: 02	TDR: 000000752338
REV. LTR: B	REVISED: 01:05:26 06/27/2012	BY: RAGRA
FILE: \RAG\00012\166		
MTL: -		

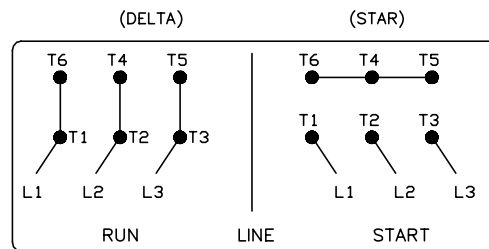
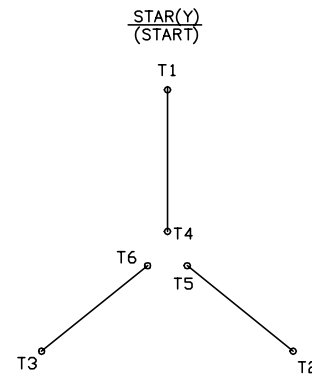
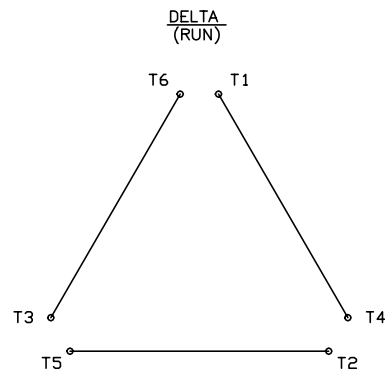
BALDOR
 DIM SHEET PROT 445T-449TS ABV/NEMA - SPCL C/BOX - 14X14X12
 SH 1 of 1

416820-008

A-C MOTOR CONNECTION DIAGRAM

STANDARD 6 LEAD

Y START - DELTA RUN



< N. P. 1767-DC >

416820-008

REV. DESC: ADDED T4 TO Y CONNECT DIAGRAM		
REV. LTR: D	VERSION: 04	TDR: 000000847713
FILE: \RAG\00001\808	REVISED: 10: 41: 26 04/08/2014	BY: RAGJSS1
MTL: -	Ⓢ □	

BALDOR

CONNECT DIAGRAM STD 6 LEAD Y START DELTA RUN

SH 1 of 1

Marketing maintained PDF of MN408:

<http://www.baldor.com/support/Literature/Load.ashx/MN408?ManNumber=MN408>

Marketing maintained PDF of MN416:

<http://www.baldor.com/support/Literature/Load.ashx/MN416?ManNumber=MN416>