

# **BALDOR**® • **RELIANCE**

## **Product Information Packet**

# **EM3211T-5G**

**3HP,1765RPM,3PH,60HZ,182T,3630M,OPSB,F1**

Part Detail							
Revision:	C	Status:	PRD/A	Change #:		Proprietary:	No
Type:	AC	Prod. Type:	3630M	Elec. Spec:	36WGS763	CD Diagram:	CD0006
Enclosure:	OPSB	Mfg Plant:		Mech. Spec:	36M526	Layout:	36LYM526
Frame:	182T	Mounting:	F1	Poles:	04	Created Date:	09-10-2013
Base:	RG	Rotation:	R	Insulation:	H	Eff. Date:	08-23-2016
Leads:	3#16					Replaced By:	
Literature:		Elec. Diagram:					

Nameplate NP1259L										
CAT.NO.	EM3211T-5G									
SPEC.	36M526S763G1									
HP	3									
VOLTS	575									
AMP	3.4									
RPM	1765									
FRAME	182T				HZ	60			PH	3
SER.F.	1.15		CODE	K	DES	B		CL	H	
NEMA-NOM-EFF	89.5		PF	74						
RATING	40C AMB-CONT									
CC	010A				USABLE AT 208V					
DE	6206				ODE	6205				
ENCL	OPSB		SN							

Parts List		
Part Number	Description	Quantity
SA269058	SA 36M526S763G1	1.000 EA
RA255712	RA 36M526S763G1	1.000 EA
36CB3004	36 CB CASTING W/1.09 DIA LEAD HOLE @ 6:0	1.000 EA
51XB1016A08	10-16X 1/2HXWSSLD SERTYB	2.000 EA
11XW1032G06	10-32 X .38, TAPTITE II, HEX WSHR SLTD U	1.000 EA
HW3001B01	BRASS CUP WASHER, FOR #8 SCREW	1.000 EA
36EP3200A01	FR ENDPLATE, ASSEMBLY FOR ROUTING	1.000 EA
HW4500A01	1641B(ALEMITE)400 UNIV, GREASE FITT	1.000 EA
HW5100A05	WVY WSHR F/205 & 304 BRGS	1.000 EA
36PE3201A39	PU ENDPLATE, ASSEMBLY FOR ROUTING	1.000 EA
10XN2520A20	1/4-20X 1 1/4 HEX HD X	2.000 EA
HW1001A25	LOCKWASHER 1/4, ZINC PLT .493 OD, .255 I	2.000 EA
HW4500A01	1641B(ALEMITE)400 UNIV, GREASE FITT	1.000 EA
XY2520A12	1/4-20 HEX NUT, DIRECTIONAL SERRATIONS	4.000 EA
36CB4516	36 LIPPED CB LID	1.000 EA
51XW0832A07	8-32 X .44, TAPTITE II, HEX WSHR SLTD SE	4.000 EA
HW2501E16	3KEY, 1/4 SQ X 1.750	1.000 EA
HA7000A02	KEY RETAINER RING, 1 1/8 DIA, 1 3/8 DIA	1.000 EA
85XU0407S04	4X1/4 U DRIVE PIN STAINLESS	2.000 EA
LB1459	AEGIS SGR LABEL "AEGISLBL-100"	1.000 EA
MJ1000A02	GREASE, POLYREX EM EXXON (USe 4824-15A)	0.050 LB
MG1000Y03	MUNSELL 2.53Y 6.70/ 4.60, GLOSS 20,	0.022 GA
HA3101A25	THRUBOLT 1/4-20 X 11.000 OHIO ROD	4.000 EA
36AD2004A01	BAFFLE PLATE,MOD 36-SLTD BAND MTRS DELTA	1.000 EA

<b>Parts List (continued)</b>		
<b>Part Number</b>	<b>Description</b>	<b>Quantity</b>
LB1119N	WARNING LABEL	1.000 EA
LC0006	CONNECTION LABEL	1.000 EA
NP1259L	ALUM SUPER-E UL CSA-EEV CC NEMA PREMIUM	1.000 EA
36PA1000	PKG GRP, PRINT PK1016A06	1.000 EA
MN416A01	TAG-INSTAL-MAINT no wire (1000/bx) 11/14	1.000 EA

**AC Induction Motor Performance Data**

Record # 50481 - Typical performance - not guaranteed values

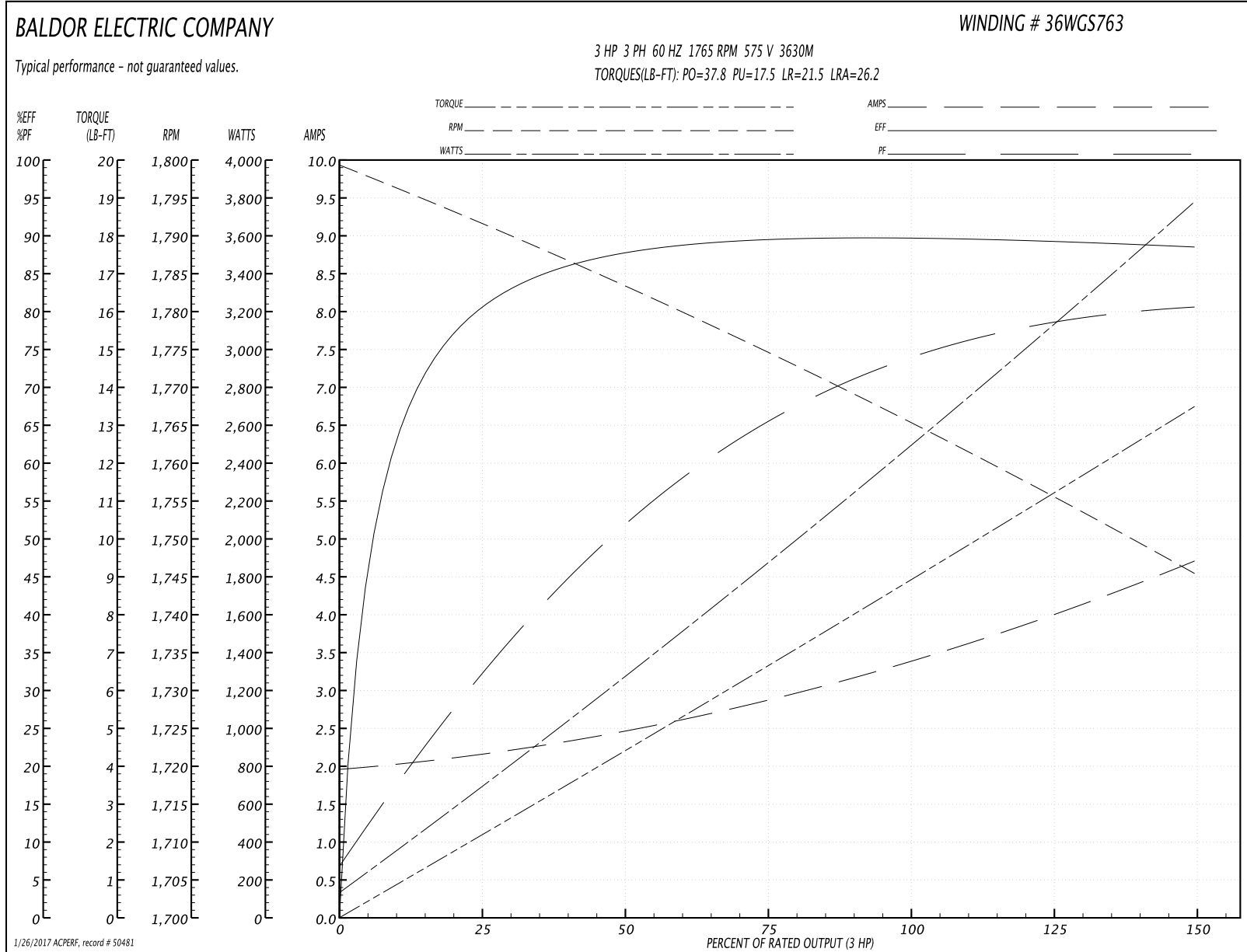
<b>Winding:</b> 36WGS763-R002	<b>Type:</b> 3630M	<b>Enclosure:</b> OPSB
-------------------------------	--------------------	------------------------

Nameplate Data				575 V, 60 Hz: Single Voltage Motor	
Rated Output (HP)	3			Full Load Torque	8.85 LB-FT
Volts	575			Start Configuration	direct on line
Full Load Amps	3.4			Breakdown Torque	37.8 LB-FT
R.P.M.	1765			Pull-up Torque	17.5 LB-FT
Hz	60	Phase	3	Locked-rotor Torque	21.5 LB-FT
NEMA Design Code	B	KVA Code	K	Starting Current	26.2 A
Service Factor (S.F.)	1.15			No-load Current	1.99 A
NEMA Nom. Eff.	89.5	Power Factor	74	Line-line Res. @ 25°C	5.9 Ω
Rating - Duty	40C AMB-CONT			Temp. Rise @ Rated Load	24°C
S.F. Amps				Temp. Rise @ S.F. Load	28°C
				Locked-rotor Power Factor	43.2
				Rotor inertia	0.279 LB-FT <sup>2</sup>

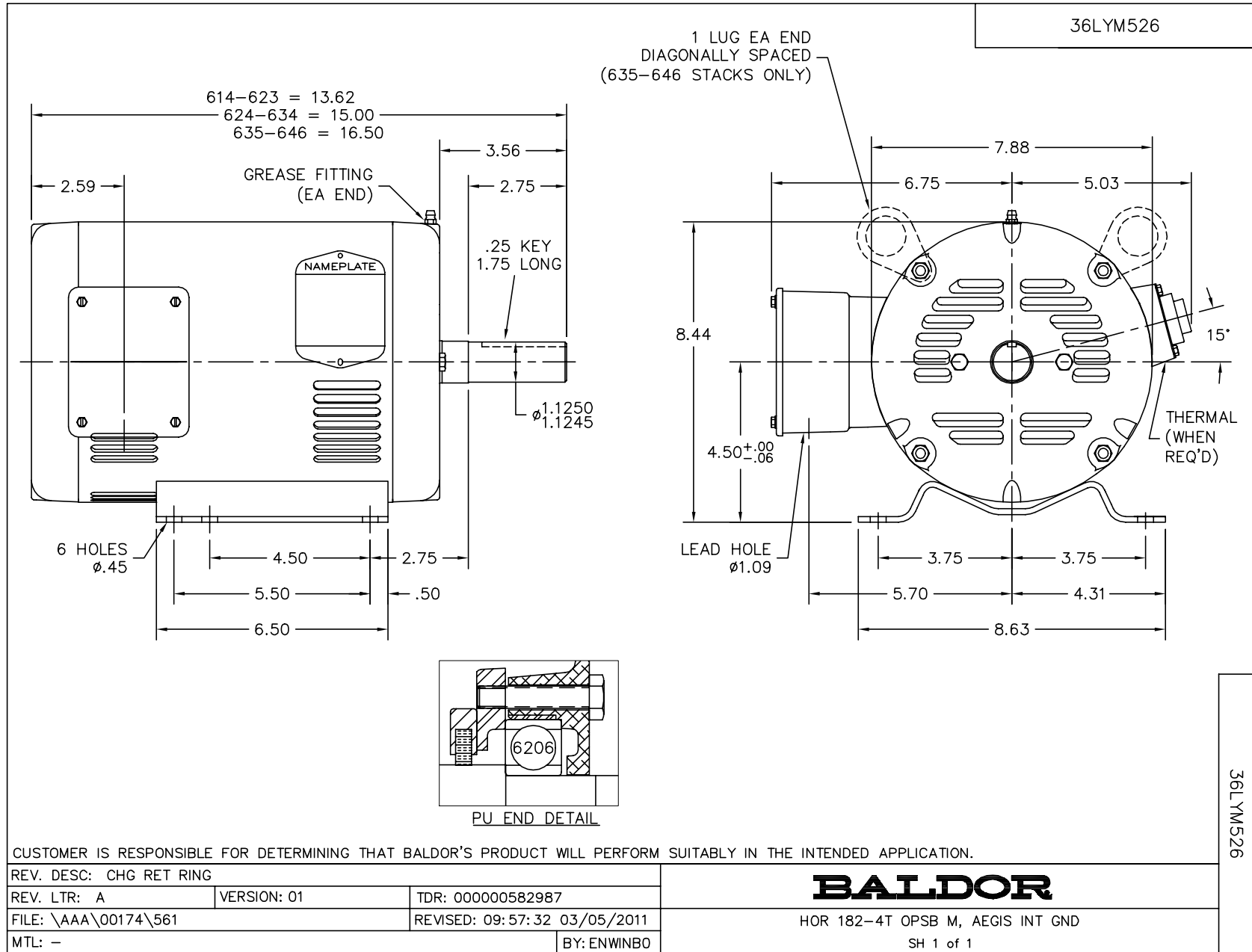
Load Characteristics 575 V, 60 Hz, 3 HP

% of Rated Load	25	50	75	100	125	150	S.F.
Power Factor	32	53	66	73	78	81	76
Efficiency	79.9	87.5	89.5	89.8	89.6	88.4	89.7
Speed	1791	1783	1775	1766	1756	1745	1760
Line amperes	2.12	2.43	2.87	3.42	4	4.69	3.77

Performance Graph at 575V, 60Hz, 3.0HP Typical performance - Not guaranteed values



1/26/2017 ACPERF, record # 50481



CD0006



NOTES:

1. THREE LEAD MOTOR MAY BE EITHER WYE CONNECTED OR DELTA CONNECTED.
2. INTERCHANGE ANY TWO LINE LEADS TO REVERSE ROTATION.
3. OPTIONAL THERMOSTATS ARE PROVIDED WHEN SPECIFIED.
4. ACTUAL NUMBER OF INTERNAL PARALLEL CIRCUITS MAY VARY.
5. LEAD COLORS ARE OPTIONAL. LEADS MUST BE NUMBERED AS SHOWN.

REV. DESC: REVISE TO SHOW OPTIONAL COLORS			
REV. LTR: D	BY: JLP	REVISED: 01/21/99 4:02	TDR: 0171435
9000D		FILE: AAA00005141	MDL: -
		MTL: -	

**BALDOR ELECTRIC Co.**

3PH, SV, 3 LEADS, WYE OR DELTA CONNECTED

CD0006