

# **BALDOR**® • *RELIANCE*

## **Product Information Packet**

# **EM3545-5**

**1HP,3450RPM,3PH,60HZ,56,3516M,TEFC,F1,N**

Part Detail							
Revision:	A	Status:	PRD/A	Change #:		Proprietary:	No
Type:	AC	Prod. Type:	3516M	Elec. Spec:	35WGL509	CD Diagram:	CD0006
Enclosure:	TEFC	Mfg Plant:		Mech. Spec:	35T696	Layout:	35LYT696
Frame:	56	Mounting:	F1	Poles:	02	Created Date:	03-01-2016
Base:	RG	Rotation:	R	Insulation:	B	Eff. Date:	12-07-2016
Leads:	3#18					Replaced By:	
Literature:		Elec. Diagram:					

<b>Nameplate NP3441L</b>											
<b>CAT.NO.</b>	EM3545-5										
<b>SPEC.</b>	35T696L509G1										
<b>HP</b>	1										
<b>VOLTS</b>	575										
<b>AMP</b>	1.1										
<b>RPM</b>	3450										
<b>FRAME</b>	56			<b>HZ</b>	60				<b>PH</b>	3	
<b>SER.F.</b>	1.25			<b>CODE</b>	K		<b>DES</b>	B		<b>CL</b>	B
<b>NEMA-NOM-EFF</b>	77			<b>PF</b>	85						
<b>RATING</b>	40C AMB-CONT										
<b>CC</b>	010A						<b>USABLE AT 208V</b>				
<b>DE</b>	6205			<b>ODE</b>	6203						
<b>ENCL</b>	TEFC			<b>SN</b>							
<b>VPWM INVERTER READY</b>											
CT6-60H(10:1)VT3-60H(20:1)											
	SFA 1.3										

Parts List		
Part Number	Description	Quantity
SA316290	SA 35T696L509G1	1.000 EA
RA303852	RA 35T696L509G1	1.000 EA
34FN3002A01SP	EXTERNAL FAN, PLASTIC, .637/.639 HUB W/	1.000 EA
S/P107-000-001	SUPER E PROC'S-FS, WS & CK PLTS	1.000 EA
NS2512A01	INSULATOR, CONDUIT BOX X	1.000 EA
35CB3007	35 CB CASTING W/.88 DIA. LEAD HOLE	1.000 EA
36GS1000SP	GASKET-CONDUIT BOX, .06 THICK #SV-330 LE	1.000 EA
51XB1016A07	10-16 X 7/16 HXWSSLD SERTYB	2.000 EA
11XW1032G06	10-32 X .38, TAPTITE II, HEX WSHR SLTD U	1.000 EA
35EP3100M02	FREP TEFC 203 BRG W/O GR SR (RAISED FH MT	1.000 EA
HW5100A03SP	WAVY WASHER (W1543-017)	1.000 EA
35EP3101A02SP	STD PU ENDPLATE-ENCL-205 BRG LESS GREASE	1.000 EA
XY1032A02	10-32 HEX NUT DIRECTIONAL SERRATION	4.000 EA
51XB1214A16	12-14X1.00 HXWSSLD SERTYB	1.000 EA
35FH4005A32SP	IEC FH NO GR SR W/3 HOLES - PRIMED	1.000 EA
51XW1032A06	10-32 X .38, TAPTITE II, HEX WSHR SLTD S	3.000 EA
35CB4521	35 LIPPED CB LID (GALV & PHOSPH)	1.000 EA
35GS1030	35 GS FOR CB LID - LEXIDE	1.000 EA
51XW0832A07	8-32 X .44, TAPTITE II, HEX WSHR SLTD SE	4.000 EA
HW2501D13	KEY, 3/16 SQ X 1.375	1.000 EA
HA7000A04	KEY RETAINER 0.625 DIA SHAFTS	1.000 EA
85XU0407S04	4X1/4 U DRIVE PIN STAINLESS	2.000 EA
MJ1000A02	GREASE, POLYREX EM EXXON (USe 4824-15A)	0.050 LB
MG1000Y03	MUNSELL 2.53Y 6.70/ 4.60, GLOSS 20,	0.017 GA

<b>Parts List (continued)</b>		
<b>Part Number</b>	<b>Description</b>	<b>Quantity</b>
HA3100A15	THRUBOLT 10-32 X 8.375	4.000 EA
MN416A01	TAG-INSTAL-MAINT no wire (1000/bx) 11/14	1.000 EA
LB1119N	WARNING LABEL	1.000 EA
NP3441L	ALUM SUPER-E VPWM INVERTER READY UL	1.000 EA
36PA1000	PKG GRP, PRINT PK1016A06	1.000 EA

**AC Induction Motor Performance Data**  
Record # 55694 - Typical performance - not guaranteed values

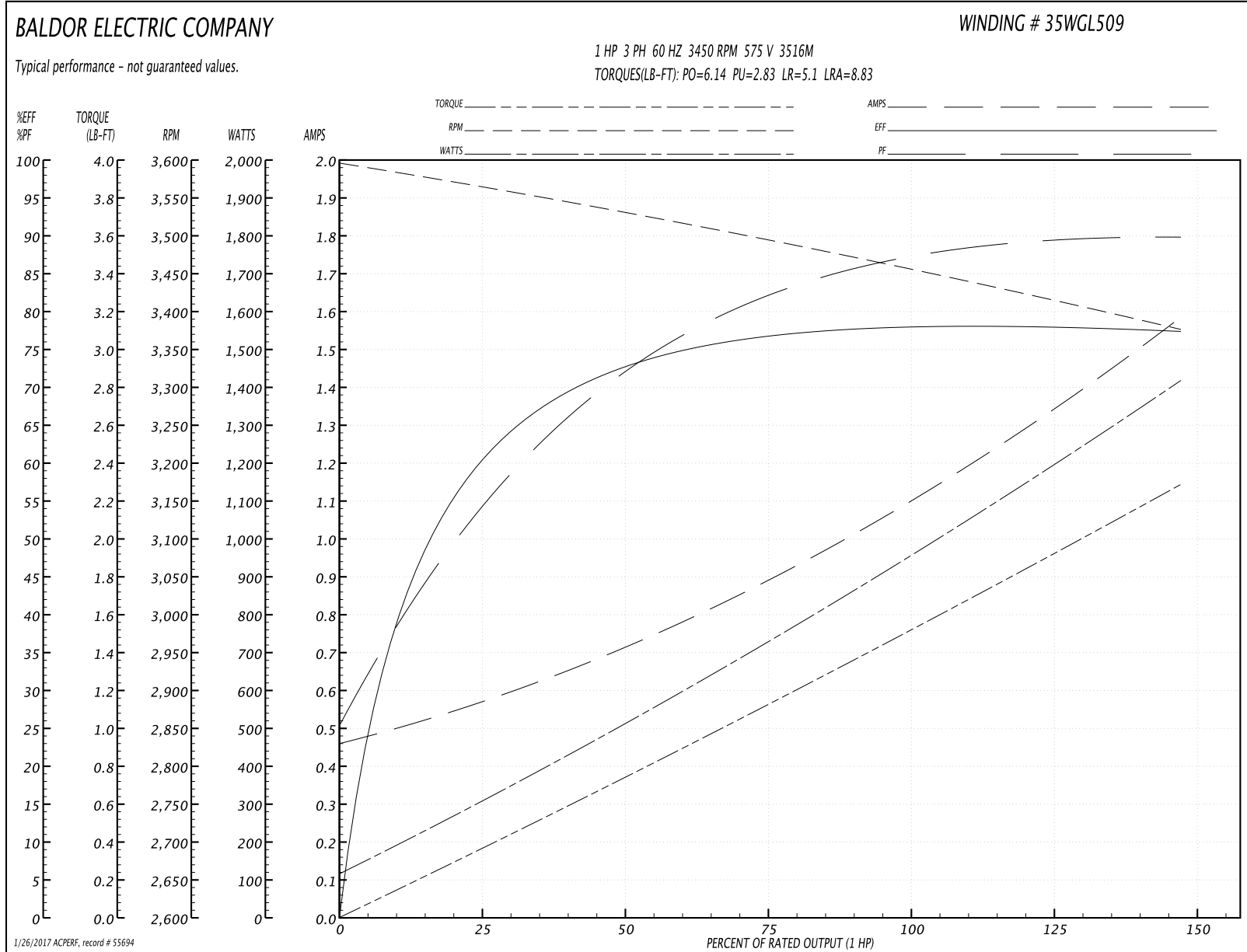
<b>Winding:</b> 35WGL509-R001	<b>Type:</b> 3516M	<b>Enclosure:</b> TEFC
-------------------------------	--------------------	------------------------

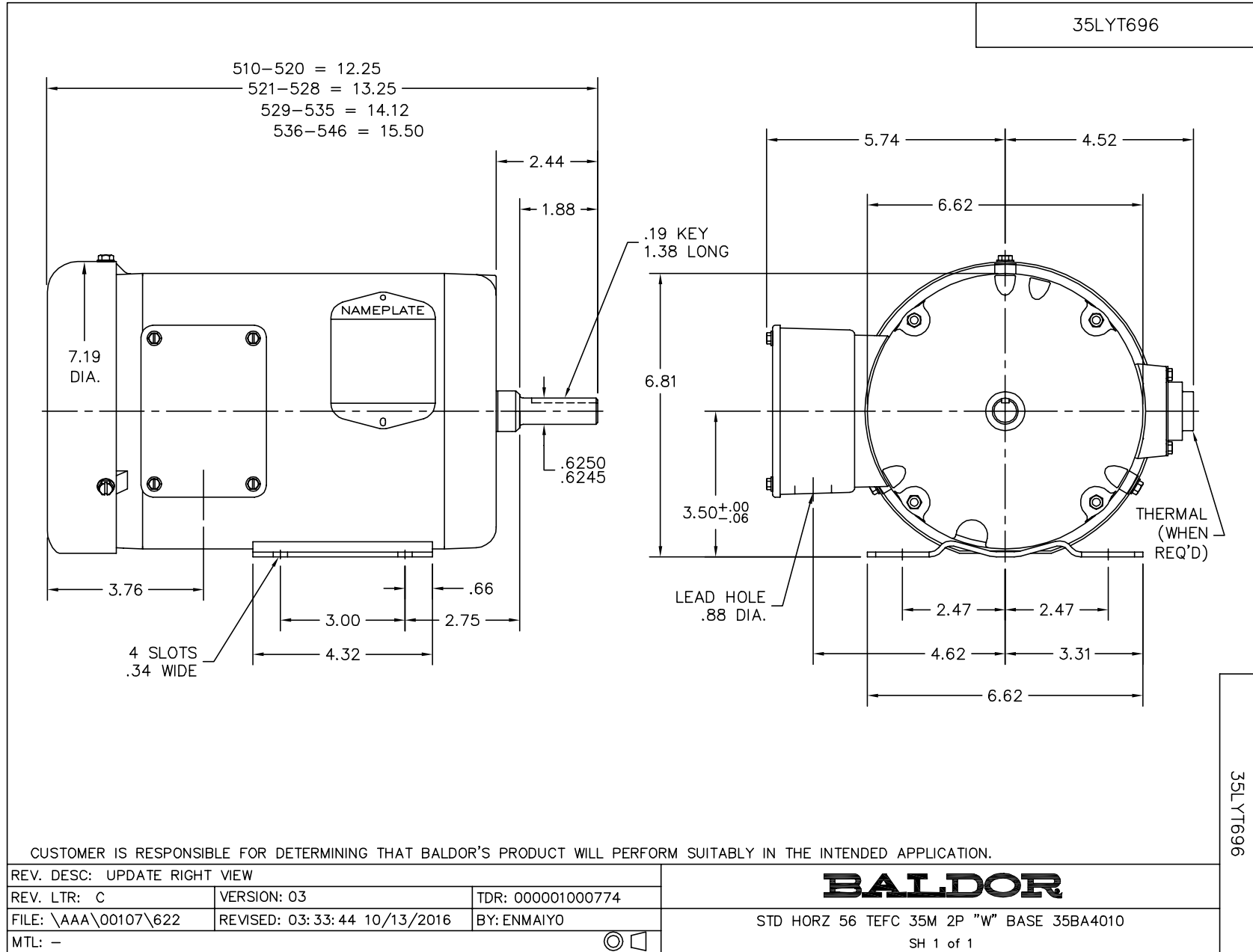
Nameplate Data				575 V, 60 Hz: Single Voltage Motor	
Rated Output (HP)	1			Full Load Torque	1.47 LB-FT
Volts	575			Start Configuration	direct on line
Full Load Amps	1.1			Breakdown Torque	6.14 LB-FT
R.P.M.	3450			Pull-up Torque	2.83 LB-FT
Hz	60	Phase	3	Locked-rotor Torque	5.1 LB-FT
NEMA Design Code	B	KVA Code	K	Starting Current	8.83 A
Service Factor (S.F.)	1.25			No-load Current	0.471 A
NEMA Nom. Eff.	77	Power Factor	85	Line-line Res. @ 25°C	24.3 Ω
Rating - Duty	40C AMB-CONT			Temp. Rise @ Rated Load	38°C
S.F. Amps	1.3			Temp. Rise @ S.F. Load	47°C
				Locked-rotor Power Factor	59.6
				Rotor inertia	0.0443 LB-FT <sup>2</sup>

Load Characteristics 575 V, 60 Hz, 1 HP

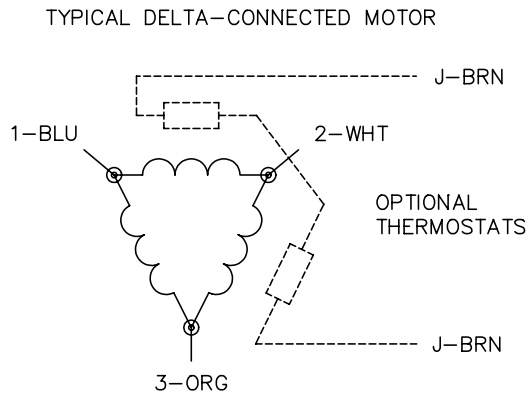
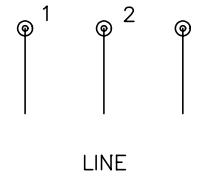
% of Rated Load	25	50	75	100	125	150	S.F.
Power Factor	54	71	81	85	89	90	89
Efficiency	57.9	71.2	76.3	78.1	78.5	77.2	78.5
Speed	3564	3534	3501	3462	3423	3374	3423
Line amperes	0.547	0.682	0.862	1.09	1.31	1.58	1.31

Performance Graph at 575V, 60Hz, 1.0HP Typical performance - Not guaranteed values





CD0006



NOTES:

1. THREE LEAD MOTOR MAY BE EITHER WYE CONNECTED OR DELTA CONNECTED.
2. INTERCHANGE ANY TWO LINE LEADS TO REVERSE ROTATION.
3. OPTIONAL THERMOSTATS ARE PROVIDED WHEN SPECIFIED.
4. ACTUAL NUMBER OF INTERNAL PARALLEL CIRCUITS MAY VARY.
5. LEAD COLORS ARE OPTIONAL. LEADS MUST BE NUMBERED AS SHOWN.

REV. DESC: REVISE TO SHOW OPTIONAL COLORS			
REV. LTR: D	BY: JLP	REVISED: 01/21/99 4:02	TDR: 0171435
9000D		FILE: AAA00005141	MDL: -
		MTL: -	

**BALDOR ELECTRIC Co.**

3PH, SV, 3 LEADS, WYE OR DELTA CONNECTED

CD0006