

BALDOR® • ***RELIANCE***

Product Information Packet

EM3555T-5

2HP,3490RPM,3PH,60HZ,145T,3526M,TEFC,F1

Part Detail							
Revision:	G	Status:	PRD/A	Change #:		Proprietary:	No
Type:	AC	Prod. Type:	3526M	Elec. Spec:	35WGM831	CD Diagram:	CD0006
Enclosure:	TEFC	Mfg Plant:		Mech. Spec:	35TT638	Layout:	35LYTT638
Frame:	145T	Mounting:	F1	Poles:	02	Created Date:	05-16-2012
Base:	RG	Rotation:	R	Insulation:	F	Eff. Date:	06-20-2016
Leads:	3#18					Replaced By:	
Literature:		Elec. Diagram:					

Nameplate NP3441L										
CAT.NO.	EM3555T-5									
SPEC.	35TT638M831G1									
HP	2									
VOLTS	575									
AMP	2									
RPM	3490									
FRAME	145T			HZ	60				PH	3
SER.F.	1.15		CODE	M		DES	B		CL	F
NEMA-NOM-EFF	85.5		PF	88						
RATING	40C AMB-CONT									
CC	010A					USABLE AT 208V				
DE	6205			ODE	6203					
ENCL	TEFC		SN							
VPWM INVERTER READY										
CT6-60H(10:1)VT3-60H(20:1)										

Parts List		
Part Number	Description	Quantity
SA244479	SA 35TT638M831G1	1.000 EA
RA231363	RA 35TT638M831G1	1.000 EA
NS2512A01	INSULATOR, CONDUIT BOX X	1.000 EA
35CB3009	35 CB W/1.09 DIA. LEAD HOLE @ 6:	1.000 EA
36GS1000SP	GASKET-CONDUIT BOX, .06 THICK #SV-330 LE	1.000 EA
51XB1016A07	10-16 X 7/16 HXWSSLD SERTYB	2.000 EA
11XW1032G06	10-32 X .38, TAPTITE II, HEX WSHR SLTD U	1.000 EA
35EP3100M01	FREP TEFC 203 BRG W/GRSR (RAISED FH PADS	1.000 EA
HW4500A01	1641B(ALEMITE)400 UNIV, GREASE FITT	1.000 EA
HW5100A03SP	WAVY WASHER (W1543-017)	1.000 EA
35EP3101A01SP	PUEP-ENCLOSED-205 BRG-W/GREASER	1.000 EA
HW4500A01	1641B(ALEMITE)400 UNIV, GREASE FITT	1.000 EA
XY1032A02	10-32 HEX NUT DIRECTIONAL SERRATION	4.000 EA
35FH4005A84SP	IEC FH W/GRSR, NO DIMPLES PRIMED	1.000 EA
51XW1032A06	10-32 X .38, TAPTITE II, HEX WSHR SLTD S	3.000 EA
35CB4521	35 LIPPED CB LID (GALV & PHOSPH)	1.000 EA
35GS1030	35 GS FOR CB LID - LEXIDE	1.000 EA
51XW0832A07	8-32 X .44, TAPTITE II, HEX WSHR SLTD SE	4.000 EA
HW2501D13	KEY, 3/16 SQ X 1.375	1.000 EA
HA7000A01	KEY RETAINER 7/8" DIA SHAFT	1.000 EA
10XF0440S02	04-40 X 1/8 TYPE F HEX HD STAINLESS STIC	2.000 EA
S/P107-000-001	SUPER E PROC'S-FS, WS & CK PLTS	1.000 EA
S/P095-000-002	1ST TURN INSULATING OF 05 AND 35 FRAME M	1.000 EA
MJ1000A02	GREASE, POLYREX EM EXXON (USe 4824-15A)	0.050 LB

Parts List (continued)		
Part Number	Description	Quantity
34FN3002B01	EXTERNAL FAN, PLASTIC, .637/.639 HUB W/	1.000 EA
MG1000Y03	MUNSELL 2.53Y 6.70/ 4.60, GLOSS 20,	0.017 GA
HA3100A18	THRUBOLT 10-32 X 9.250	4.000 EA
LC0006	CONNECTION LABEL	1.000 EA
LB1119N	WARNING LABEL	1.000 EA
MN416A01	TAG-INSTAL-MAINT no wire (1000/bx) 11/14	1.000 EA
NP3441L	ALUM SUPER-E VPWM INVERTER READY UL	1.000 EA
36PA1000	PKG GRP, PRINT PK1016A06	1.000 EA

AC Induction Motor Performance Data

Record # 44974 - Typical performance - not guaranteed values

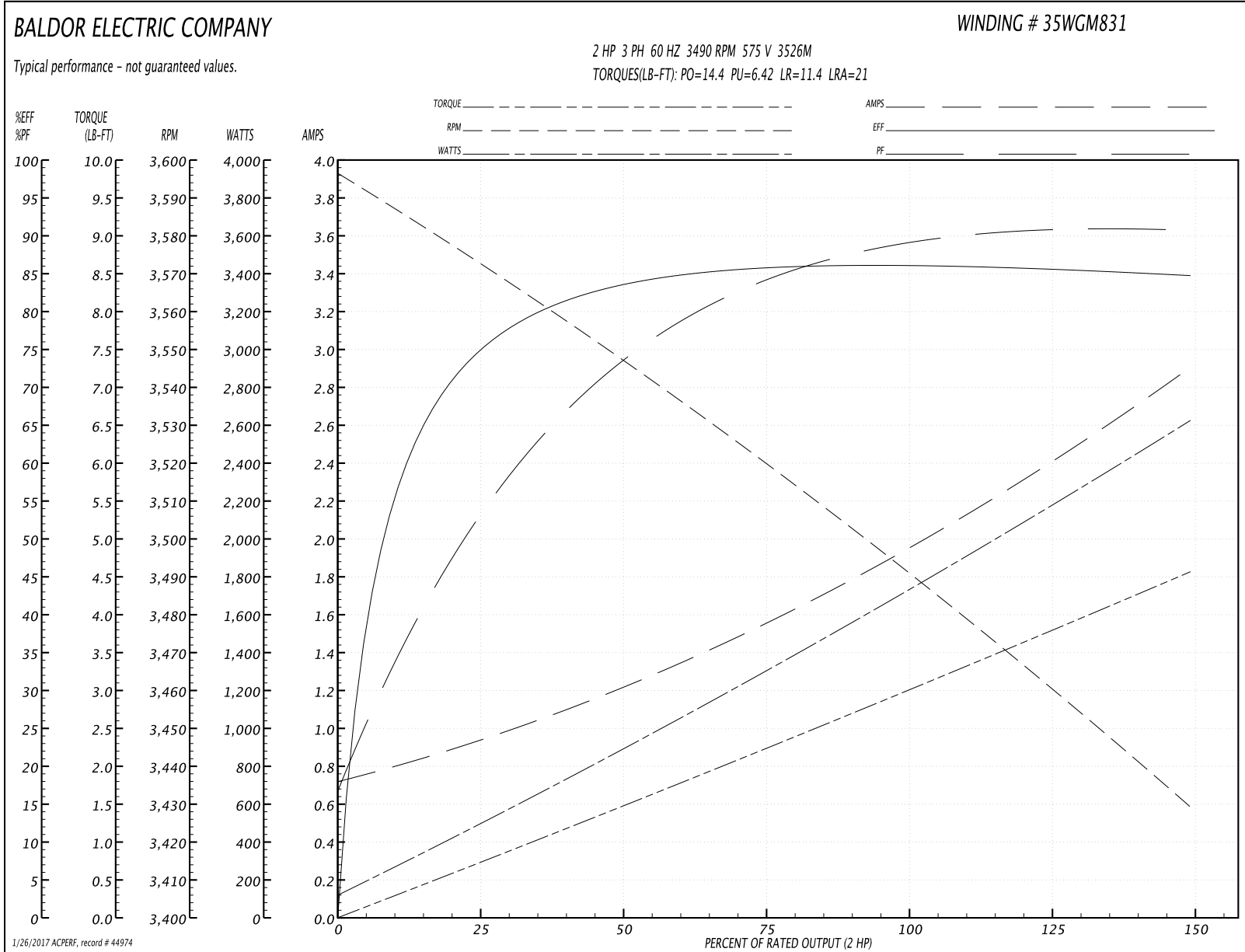
Winding: 35WGM831-R002	Type: 3526M	Enclosure: TEFC
-------------------------------	--------------------	------------------------

Nameplate Data				575 V, 60 Hz: Single Voltage Motor	
Rated Output (HP)	2			Full Load Torque	2.98 LB-FT
Volts	575			Start Configuration	direct on line
Full Load Amps	2			Breakdown Torque	14.4 LB-FT
R.P.M.	3490			Pull-up Torque	6.42 LB-FT
Hz	60	Phase	3	Locked-rotor Torque	11.4 LB-FT
NEMA Design Code	B	KVA Code	M	Starting Current	21 A
Service Factor (S.F.)	1.15			No-load Current	0.745 A
NEMA Nom. Eff.	85.5	Power Factor	88	Line-line Res. @ 25°C	10.7 Ω
Rating - Duty	40C AMB-CONT			Temp. Rise @ Rated Load	44°C
S.F. Amps				Temp. Rise @ S.F. Load	52°C
				Locked-rotor Power Factor	50
				Rotor inertia	0.0719 LB-FT ²

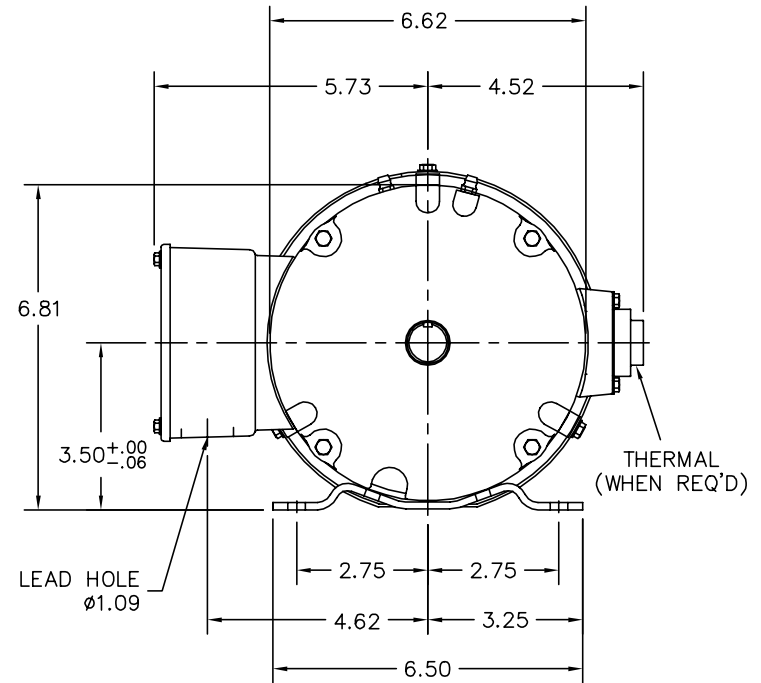
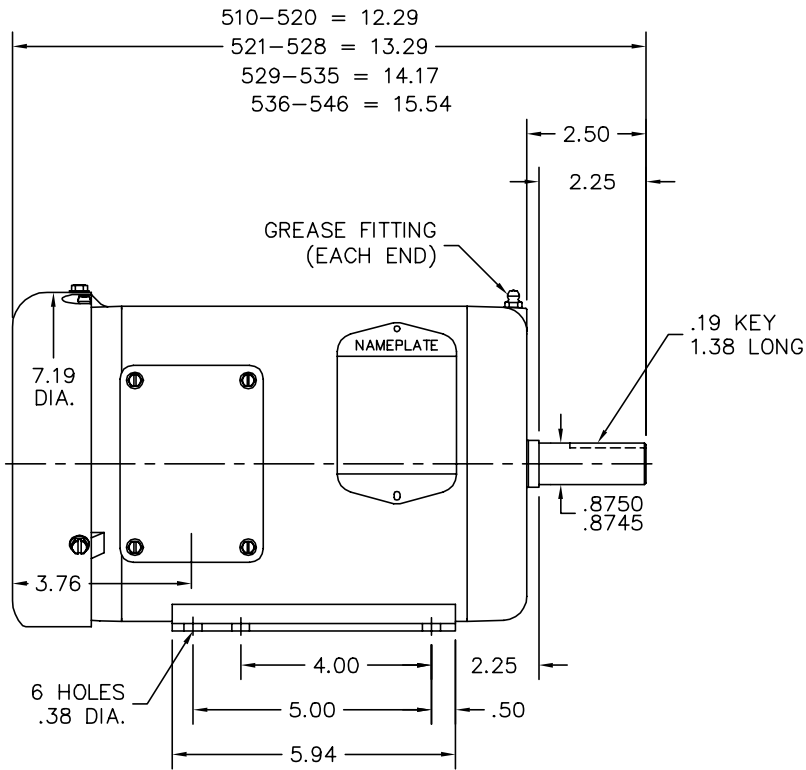
Load Characteristics 575 V, 60 Hz, 2 HP

% of Rated Load	25	50	75	100	125	150	S.F.
Power Factor	54	74	84	88	90	91	89
Efficiency	73.2	83.6	85.5	86.3	85.7	84.7	85.9
Speed	3572	3547	3521	3493	3463	3428	3475
Line amperes	0.895	1.19	1.55	1.96	2.4	2.89	2.22

Performance Graph at 575V, 60Hz, 2.0HP Typical performance - Not guaranteed values



35LYTT638



CUSTOMER IS RESPONSIBLE FOR DETERMINING THAT BALDOR'S PRODUCT WILL PERFORM SUITABLY IN THE INTENDED APPLICATION.

REV. DESC: CHG STACK RANGES TO MATCH SHAFT AND BAND		
REV. LTR: D	VERSION: 04	TDR: 000000958588
FILE: \AAA\00173\415	REVISED: 09:10:35 12/22/2015	BY: ENBENBO
MTL: -	⊙ □	

BALDOR

HOR 143-5T TEFC 35M 2 POLE "W" BASE (35BA4009), 35CB3009

SH 1 of 1

35LYTT638

CD0006



NOTES:

1. THREE LEAD MOTOR MAY BE EITHER WYE CONNECTED OR DELTA CONNECTED.
2. INTERCHANGE ANY TWO LINE LEADS TO REVERSE ROTATION.
3. OPTIONAL THERMOSTATS ARE PROVIDED WHEN SPECIFIED.
4. ACTUAL NUMBER OF INTERNAL PARALLEL CIRCUITS MAY VARY.
5. LEAD COLORS ARE OPTIONAL. LEADS MUST BE NUMBERED AS SHOWN.

REV. DESC: REVISE TO SHOW OPTIONAL COLORS			
REV. LTR: D	BY: JLP	REVISED: 01/21/99 4:02	TDR: 0171435
9000D		FILE: AAA00005141	MDL: -
		MTL: -	

BALDOR ELECTRIC Co.

3PH, SV, 3 LEADS, WYE OR DELTA CONNECTED

CD0006