

BALDOR® • ***RELIANCE***

Product Information Packet

EM4338T

30HP,890RPM,3PH,60HZ,364T,TEFC,F1

Part Detail							
Revision:	E	Status:	PRD/A	Change #:		Proprietary:	No
Type:	AC	Prod. Type:	A36050M	Elec. Spec:	A36WG0999	CD Diagram:	416820-002
Enclosure:	TEFC	Mfg Plant:		Mech. Spec:		Layout:	611740-001-SH1
Frame:	364T	Mounting:	F1	Poles:	08	Created Date:	01-13-2015
Base:		Rotation:	R	Insulation:	B	Eff. Date:	09-29-2016
Leads:	3#6,6#8					Replaced By:	
Literature:		Elec. Diagram:					

Nameplate NP2496L	
MOBIL POLYREX EM	

Nameplate NP2383L										
CAT.NO.	EM4338T			SPEC NO.	A36-6049-0999					
HP	30	AMPS	78.6/39.3		VOLTS	230/460		DESIGN	B	
FRAME	364T	RPM	890	HZ	60	AMB	40	SF	1.15	
DRIVE END BEARING	65BC03J30X			PHASE	3	DUTY	CONT		INSUL.CLASS	F
OPP D.E. BEARING	65BC03J30X			TYPE	P	ENCL	TEFC	CODE	G	
SER.NO.				POWER FACTOR	77		NEMA-NOM-EFFICIENCY	92.4		
NEMA NOM/CSA QUOTED EFF				MAX CORR KVAR	10		GUARANTEED EFFICIENCY	91		
				MOTOR WEIGHT	813					

Parts List		
Part Number	Description	Quantity
SA292076	SA A36-6049-0999	1.000 EA
RA278195	RA A36-6049-0999	1.000 EA
421948032	LABEL, MYLAR	1.000 EA
NP2496L	MOTOR LUBE NAMEPLATE	1.000 EA
000613006PU	N/P (RELEASE QTY 10,000) UL CSA LABEL	1.000 EA
000692000VD	LABEL WARNING	1.000 EA
NP2383L	SUPER-E ,SS, CC, CSA-C US, CSA EEV	1.000 EA
085922073B	BRKT 360 085922072WCC KB	1.000 EA
415072001B	CLAMP	1.000 EA
078559001A	+FANCV - 360	1.000 EA
034180012DA	KEY 1X4X1/4X1-1/2 L	1.000 EA
412118006A	DRAIN	1.000 EA
078557001F	FAN KB 110/50 (60) 360	1.000 EA
004824015A	GREASE POLYREX EM	0.540 LB
032018012DK	HHCS 1/2-13X1-1/2 PLTD.	4.000 EA
032018008AK	HHCS 1/4-20X1 PLATED	4.000 EA
032018024CK	HHCS 3/8-16X3 PLTD.	3.000 EA
415096002A	CPLG 1/8 HEX TYPE	1.000 EA
410700004F	WSHR	1.000 EA
035000001G	GREASE RELIEF FITTING, ALEMITE 317400	1.000 EA
034530052AB	P/NIP 1/8X6-1/2 GALV.	1.000 EA
034600001AA	BUSH 1/4TO1/8 BLACK	1.000 EA
034600001AA	BUSH 1/4TO1/8 BLACK	1.000 EA
085922073B	BRKT 360 085922072WCC KB	1.000 EA

Parts List (continued)		
Part Number	Description	Quantity
032018012DK	HHCS 1/2-13X1-1/2 PLTD.	4.000 EA
032018024CK	HHCS 3/8-16X3 PLTD.	3.000 EA
415045002E	SLGR	1.000 EA
412118006A	DRAIN	1.000 EA
035000001G	GREASE RELIEF FITTING, ALEMITE 317400	1.000 EA
077176000L	C/BOX, PAINTED 360-400	1.000 EA
077176001A	CBOXC, PAINTED 360-400	1.000 EA
043292000AJ	GASK 320-400	1.000 EA
402731001A	GASK 360-440	1.000 EA
418150003A	GREASE FITTING CAP	1.000 EA
032018005AK	HHCS 1/4-20X5/8 PLATED	4.000 EA
032018008CK	HHCS 3/8-16X1L PLATED	4.000 EA
035000001A	ALFTG 1/8" 1610-BL	1.000 EA
415000103D	T/LUG #4AWG-1/0AWG W/HOLE FOR .250 BOLT	1.000 EA
406099000A	PLUG - FAN COVER 320-440	1.000 EA
033512004LB	HHTTS 1/4-20X1/2 PLTD.	1.000 EA
035000001A	ALFTG 1/8" 1610-BL	1.000 EA
418150003A	GREASE FITTING CAP	1.000 EA
033775004EA	DRSCR #6-1/4 304 S.S.	2.000 EA
034180034HA	KEY 5/8X5/8X4-1/4 L	1.000 EA
HW1000A32	5/16 FL WASHER WIDE, ID=.344, OD=1.125	3.000 EA
032509020C	CARRIAGE BOLT - 360	3.000 EA
MG1000Y03	MUNSELL 2.53Y 6.70/ 4.60, GLOSS 20,	0.375 GA
14PA1000	PACKAGING 314 GROUP COMBINED PRINT	1.000 EA

REL. S.O.	FRAME	HP	TYPE	PHASE/HERTZ	RPM	VOLTS
	364T	30	P	3/60	890	230/460
AMPS	DUTY	AMB °C/ INSUL.	S.F.	NEMA DESIGN	CODE LETTER	ENCL.
78.6/39.3	CONT	40/B	1.15	B	G	TEFC-XE
E/S	ROTOR	TEST S.O.	TEST DATE	STATOR RES. @25 °C OHMS (BETWEEN LINES)		
591745	418141-73-AE	---	---	.0678/.271		

PERFORMANCE


LOAD	HP	AMPERES	RPM	POWER FACTOR %	EFFICIENCY %
NO LOAD	0	19.7	900	4.21	0
1/4	7.52	21.5	897	37.0	88.6
2/4	15.0	25.7	895	59.1	92.4
3/4	22.5	32.0	892	70.7	93.0
4/4	30.0	39.3	889	77.0	92.7
5/4	37.5	47.8	885	80.0	92.0

SPEED TORQUE

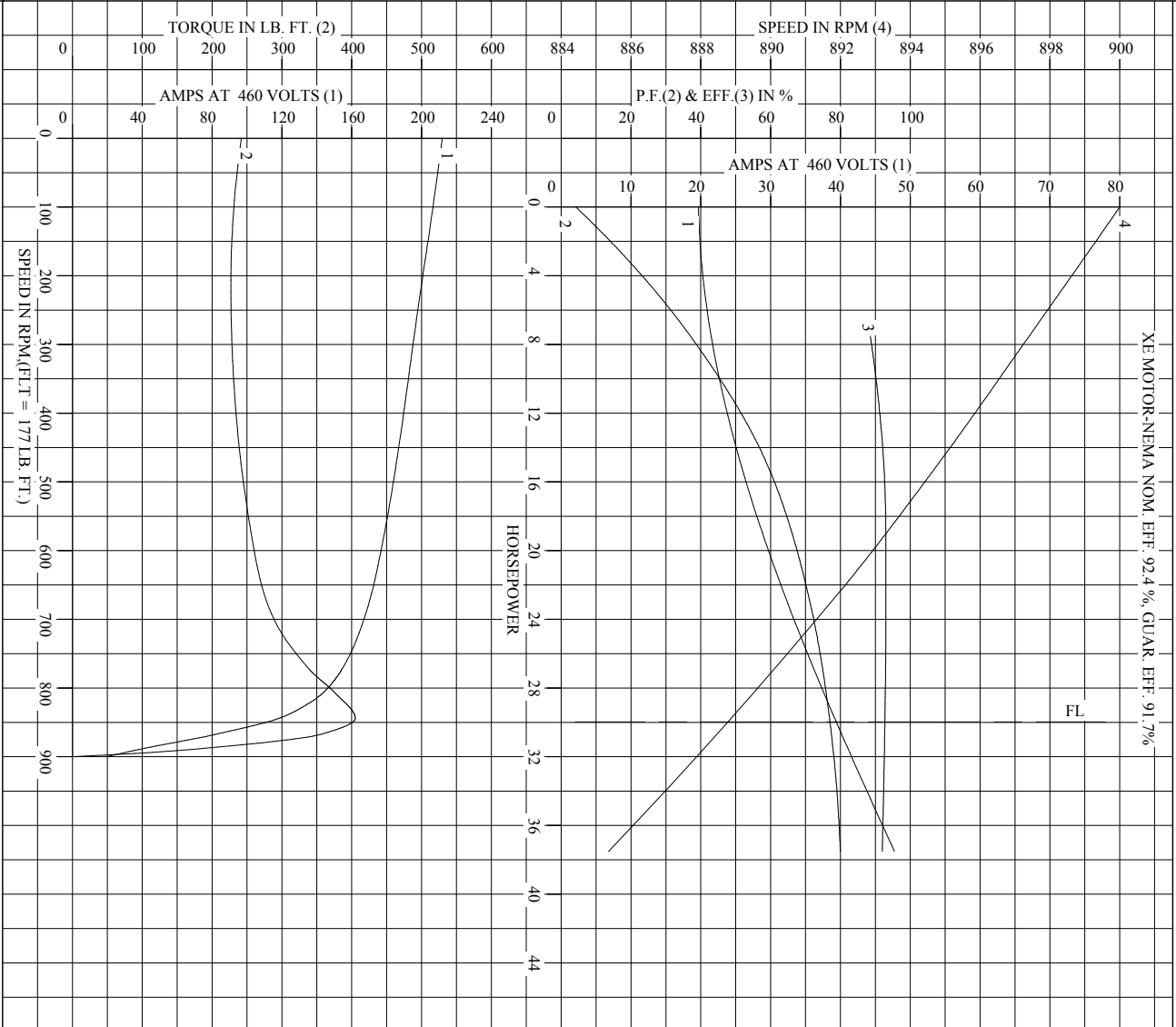
	RPM	TORQUE % FULL LOAD	TORQUE LB.-FT.	AMPERES
LOCKED ROTOR	0	137	242	212
PULL UP	213	128	227	200
BREAKDOWN	844	229	405	118
FULL LOAD	889	100	177	39.3

AMPERES SHOWN FOR 460. VOLT CONNECTION. IF OTHER VOLTAGE CONNECTIONS ARE AVAILABLE, THE AMPERES WILL VARY INVERSELY WITH THE RATED VOLTAGE

REMARKS: TYPICAL DATA
XE MOTOR-NEMA NOM. EFF. 92.4 %, GUAR. EFF. 91.7%

 <p>A MEMBER OF THE ABB GROUP</p>	DR. BY P. B. GREENE	<p>A-C MOTOR PERFORMANCE DATA A36WG0999-R001 ISSUE DATE 02/08/11</p>
	CK. BY K. W. KANOUFF APP. BY K. W. KANOUFF DATE 09/21/89	

REL. S.O. _____ RPM 890 S.F. 1.15 ROTOR 418141-73-AE
 FRAME 364T VOLTS 230/460 NEMA DESIGN B TEST S.O. TYPICAL DATA
 HP 30 AMPS 78.6/39.3 CODE LETTER G TEST DATE ---
 TYPE P DUTY CONT ENCLOSURE TEFC-XE STATOR RES. @ 25 °C .0678 / .271
 PHASE/HERTZ 3/60 AMB °C/INSUL 40/B E/S 591745 OHMS (BETWEEN LINES)



AMPERES SHOWN FOR _____ 460 VOLT CONNECTION, IF OTHER VOLTAGE CONNECTIONS ARE AVAILABLE, THE AMPERES WILL VARY INVERSELY WITH THE RATED VOLTAGE.

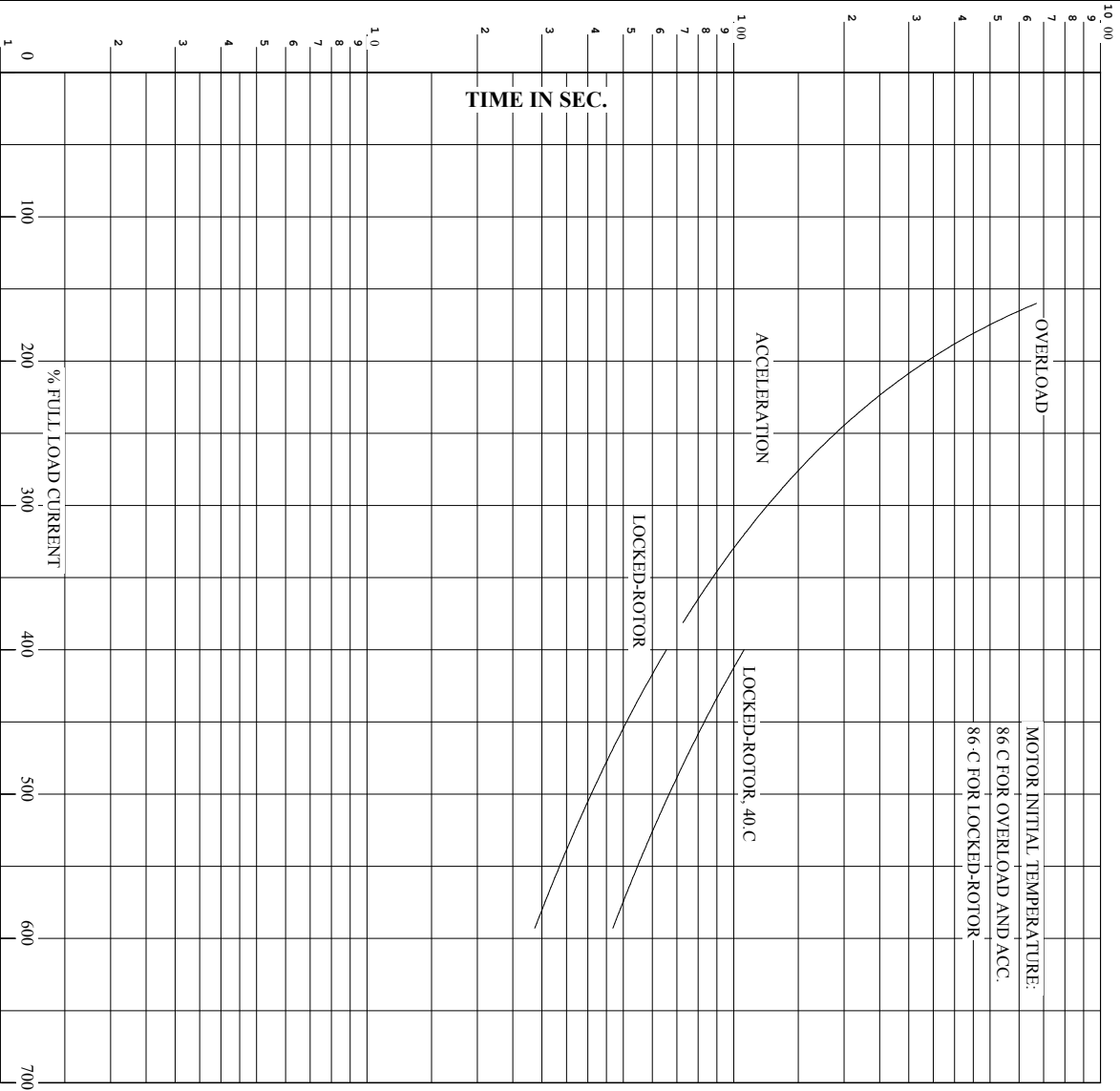
BALDOR
 A MEMBER OF THE ABB GROUP

DR. BY P.B. GREENE
 CK. BY K.W. KANDOFF
 APP. BY K.W. KANDOFF
 DATE 09/21/89

A-C MOTOR PERFORMANCE CURVES
 A36WG0999-R001
 ISSUE DATE 02/08/11

Printed on 2/8/11 7:54 @ psecs-motoreng

RET. S.O. RPM 890 S.F. 1.15 ROTOR 418141-73-AE
 FRAME 364T VOLTS 230/460 NEMA DESIGN B TEST S.O. TYPICAL DATA
 HP 30 AMPS 78.6/39.3 CODE LETTER G TEST DATE ---
 TYPE P DUTY CONT ENCLOSURE TEFC-XE STATOR RES. @ 25 °C. 0.678/.271
 PHASE/HERTZ 3/60 AMB °C/INSUL 40/B E/S 591745 OHS (BETWEEN LINES)



REMARKS: THERMAL LIMIT CURVE
 XE MOTOR-NEMA NOM. EFF. 92.4%, GUAR. EFF. 91.7%

AMPERES SHOWN FOR 460 VOLT CONNECTION, IF OTHER VOLTAGE CONNECTIONS ARE AVAILABLE, THE AMPERES WILL VARY INVERSELY WITH THE RATED VOLTAGE.

BALDOR
 A MEMBER OF THE ABB GROUP

DR. BY P.B. GREENE
 CK. BY K.W. KANOUIE
 App. BY K.W. KANOUIE
 DATE 09/21/89

A-C MOTOR PERFORMANCE CURVES
 A36WG0999-R001
 ISSUE DATE 02/08/11

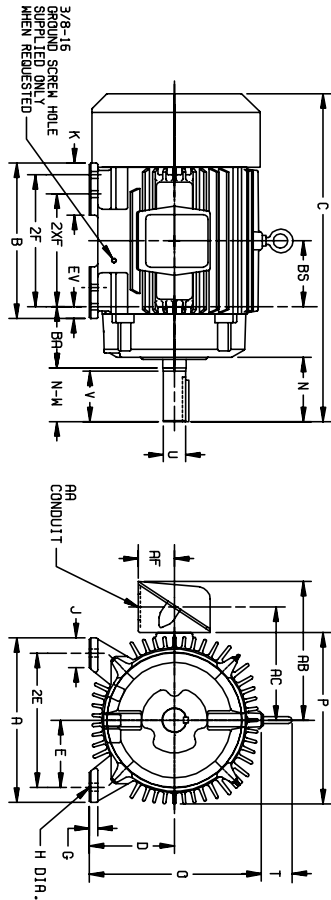
611740-001-SH1

DUTY MASTER ALTERNATING CURRENT MOTORS
SQUIRREL-CAGE INDUCTION

ENCLOSURE: TOTALLY ENCLOSED
MOUNTING: FOOT

COOLING: FAN COOLED

FRAMES 250T THRU 440T

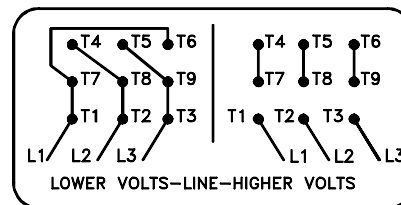
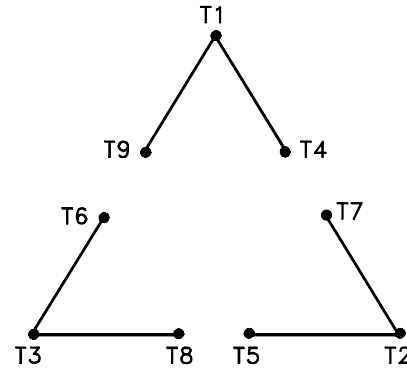


DIMENSIONS ARE IN INCHES; SEE SHEET 2 FOR DIMENSIONS IN MILLIMETERS

FRAME	A	D(2)	E	G	H	J	K	O	P	T	STEEL TERMINAL BOX				BA	EA	EV
SIZE	C	BS	B	2F	N	N-W(6)	U(3)	V	SQ.	LGTH.	IBS.	(5)					
254T-256T	12.50	6.25	5.00	7.5	1.56	2.50	---	1.325	1.325	2.44	1-1/4	10.25	8.75	2.50	4.25	1.00	
264T-266T	14.56	7.28	6.00	8.50	1.75	2.81	---	1.475	1.475	2.81	1-1/2	11.25	10.00	3.19	4.75	1.00	
284T	17.44	8.72	7.00	10.00	2.00	3.25	---	1.625	1.625	3.25	1-3/4	12.25	11.00	3.75	5.38	1.38	
294T	19.44	10.00	8.00	11.50	2.25	3.69	---	1.775	1.775	3.69	1-7/8	13.25	12.00	4.38	6.00	1.63	
324T-326T	22.44	11.50	9.00	13.00	2.50	4.12	---	1.925	1.925	4.12	2-1/8	14.25	13.00	5.00	6.62	1.88	
364T-366T	26.04	13.50	10.00	15.00	3.00	4.62	---	2.175	2.175	4.62	2-3/8	15.25	14.00	5.62	7.50	2.13	
384T-386T	28.04	14.75	11.00	16.50	3.25	5.06	---	2.325	2.325	5.06	2-7/8	16.25	15.00	6.25	8.12	2.38	
404T-406T	30.44	16.00	12.00	18.00	3.50	5.50	---	2.475	2.475	5.50	3-1/8	17.25	16.00	6.88	8.75	2.63	
424T	32.44	17.25	13.00	19.50	3.75	5.94	---	2.625	2.625	5.94	3-3/8	18.25	17.00	7.50	9.38	2.88	
426T	32.44	17.25	13.00	19.50	3.75	5.94	---	2.625	2.625	5.94	3-3/8	18.25	17.00	7.50	9.38	2.88	
426T	32.44	17.25	13.00	19.50	3.75	5.94	---	2.625	2.625	5.94	3-3/8	18.25	17.00	7.50	9.38	2.88	
426T	32.44	17.25	13.00	19.50	3.75	5.94	---	2.625	2.625	5.94	3-3/8	18.25	17.00	7.50	9.38	2.88	
426T	32.44	17.25	13.00	19.50	3.75	5.94	---	2.625	2.625	5.94	3-3/8	18.25	17.00	7.50	9.38	2.88	
426T	32.44	17.25	13.00	19.50	3.75	5.94	---	2.625	2.625	5.94	3-3/8	18.25	17.00	7.50	9.38	2.88	
426T	32.44	17.25	13.00	19.50	3.75	5.94	---	2.625	2.625	5.94	3-3/8	18.25	17.00	7.50	9.38	2.88	
426T	32.44	17.25	13.00	19.50	3.75	5.94	---	2.625	2.625	5.94	3-3/8	18.25	17.00	7.50	9.38	2.88	
426T	32.44	17.25	13.00	19.50	3.75	5.94	---	2.625	2.625	5.94	3-3/8	18.25	17.00	7.50	9.38	2.88	
426T	32.44	17.25	13.00	19.50	3.75	5.94	---	2.625	2.625	5.94	3-3/8	18.25	17.00	7.50	9.38	2.88	
426T	32.44	17.25	13.00	19.50	3.75	5.94	---	2.625	2.625	5.94	3-3/8	18.25	17.00	7.50	9.38	2.88	
426T	32.44	17.25	13.00	19.50	3.75	5.94	---	2.625	2.625	5.94	3-3/8	18.25	17.00	7.50	9.38	2.88	
426T	32.44	17.25	13.00	19.50	3.75	5.94	---	2.625	2.625	5.94	3-3/8	18.25	17.00	7.50	9.38	2.88	
426T	32.44	17.25	13.00	19.50	3.75	5.94	---	2.625	2.625	5.94	3-3/8	18.25	17.00	7.50	9.38	2.88	
426T	32.44	17.25	13.00	19.50	3.75	5.94	---	2.625	2.625	5.94	3-3/8	18.25	17.00	7.50	9.38	2.88	
426T	32.44	17.25	13.00	19.50	3.75	5.94	---	2.625	2.625	5.94	3-3/8	18.25	17.00	7.50	9.38	2.88	
426T	32.44	17.25	13.00	19.50	3.75	5.94	---	2.625	2.625	5.94	3-3/8	18.25	17.00	7.50	9.38	2.88	
426T	32.44	17.25	13.00	19.50	3.75	5.94	---	2.625	2.625	5.94	3-3/8	18.25	17.00	7.50	9.38	2.88	
426T	32.44	17.25	13.00	19.50	3.75	5.94	---	2.625	2.625	5.94	3-3/8	18.25	17.00	7.50	9.38	2.88	
426T	32.44	17.25	13.00	19.50	3.75	5.94	---	2.625	2.625	5.94	3-3/8	18.25	17.00	7.50	9.38	2.88	
426T	32.44	17.25	13.00	19.50	3.75	5.94	---	2.625	2.625	5.94	3-3/8	18.25	17.00	7.50	9.38	2.88	
426T	32.44	17.25	13.00	19.50	3.75	5.94	---	2.625	2.625	5.94	3-3/8	18.25	17.00	7.50	9.38	2.88	
426T	32.44	17.25	13.00	19.50	3.75	5.94	---	2.625	2.625	5.94	3-3/8	18.25	17.00	7.50	9.38	2.88	
426T	32.44	17.25	13.00	19.50	3.75	5.94	---	2.625	2.625	5.94	3-3/8	18.25	17.00	7.50	9.38	2.88	
426T	32.44	17.25	13.00	19.50	3.75	5.94	---	2.625	2.625	5.94	3-3/8	18.25	17.00	7.50	9.38	2.88	
426T	32.44	17.25	13.00	19.50	3.75	5.94	---	2.625	2.625	5.94	3-3/8	18.25	17.00	7.50	9.38	2.88	
426T	32.44	17.25	13.00	19.50	3.75	5.94	---	2.625	2.625	5.94	3-3/8	18.25	17.00	7.50	9.38	2.88	
426T	32.44	17.25	13.00	19.50	3.75	5.94	---	2.625	2.625	5.94	3-3/8	18.25	17.00	7.50	9.38	2.88	
426T	32.44	17.25	13.00	19.50	3.75	5.94	---	2.625	2.625	5.94	3-3/8	18.25	17.00	7.50	9.38	2.88	
426T	32.44	17.25	13.00	19.50	3.75	5.94	---	2.625	2.625	5.94	3-3/8	18.25	17.00	7.50	9.38	2.88	
426T	32.44	17.25	13.00	19.50	3.75	5.94	---	2.625	2.625	5.94	3-3/8	18.25	17.00	7.50	9.38	2.88	
426T	32.44	17.25	13.00	19.50	3.75	5.94	---	2.625	2.625	5.94	3-3/8	18.25	17.00	7.50	9.38	2.88	
426T	32.44	17.25	13.00	19.50	3.75	5.94	---	2.625	2.625	5.94	3-3/8	18.25	17.00	7.50	9.38	2.88	
426T	32.44	17.25	13.00	19.50	3.75	5.94	---	2.625	2.625	5.94	3-3/8	18.25	17.00	7.50	9.38	2.88	
426T	32.44	17.25	13.00	19.50	3.75	5.94	---	2.625	2.625	5.94	3-3/8	18.25	17.00	7.50	9.38	2.88	
426T	32.44	17.25	13.00	19.50	3.75	5.94	---	2.625	2.625	5.94	3-3/8	18.25	17.00	7.50	9.38	2.88	
426T	32.44	17.25	13.00	19.50	3.75	5.94	---	2.625	2.625	5.94	3-3/8	18.25	17.00	7.50	9.38	2.88	
426T	32.44	17.25	13.00	19.50	3.75	5.94	---	2.625	2.625	5.94	3-3/8	18.25	17.00	7.50	9.38	2.88	
426T	32.44	17.25	13.00	19.50	3.75	5.94	---	2.625	2.625	5.94	3-3/8	18.25	17.00	7.50	9.38	2.88	
426T	32.44	17.25	13.00	19.50	3.75	5.94	---	2.625	2.625	5.94	3-3/8	18.25	17.00	7.50	9.38	2.88	
426T	32.44	17.25	13.00	19.50	3.75	5.94	---	2.625	2.625	5.94	3-3/8	18.25	17.00	7.50	9.38	2.88	
426T	32.44	17.25	13.00	19.50	3.75	5.94	---	2.625	2.625	5.94	3-3/8	18.25	17.00	7.50	9.38	2.88	
426T	32.44	17.25	13.00	19.50	3.75	5.94	---	2.625	2.625	5.94	3-3/8	18.25	17.00	7.50	9.38	2.88	
426T	32.44	17.25	13.00	19.50	3.75	5.94	---	2.625	2.625	5.94	3-3/8	18.25	17.00	7.50	9.38	2.88	
426T	32.44	17.25	13.00	19.50	3.75	5.94	---	2.625	2.625	5.94	3-3/8	18.25	17.00	7.50	9.38	2.88	
426T	32.44	17.25	13.00	19.50	3.75	5.94	---	2.625	2.625	5.94	3-3/8	18.25	17.00	7.50	9.38	2.88	
426T	32.44	17.25	13.00	19.50	3.75	5.94	---	2.625	2.625	5.94	3-3/8	18.25	17.00	7.50	9.38	2.88	
426T	32.44	17.25	13.00	19.50	3.75	5.94	---	2.625	2.625	5.94	3-3/8	18.25	17.00	7.50	9.38	2.88	
426T	32.44	17.25	13.00	19.50	3.75	5.94	---	2.625	2.625	5.94	3-3/8	18.25	17.00	7.50	9.38	2.88	
426T	32.44	17.25	13.00	19.50	3.75	5.94	---	2.625	2.625	5.94	3-3/8	18.25	17.00	7.50	9.38	2.88	
426T	32.44	17.25	13.00	19.50	3.75	5.94	---	2.625	2.625	5.94	3-3/8	18.25	17.00	7.50	9.38	2.88	
426T	32.44	17.25	13.00	19.50	3.75	5.94	---	2.625	2.625	5.94	3-3/8	18.25	17.00	7.50	9.38	2.88	
426T	32.44	17.25	13.00	19.50	3.75	5.94	---	2.625	2.625	5.94	3-3/8	18.25	17.00	7.50	9.38	2.88	
426T	32.44	17.25	13.00	19.50	3.75	5.94	---	2.625	2.625	5.94							

416820-002

A-C MOTOR
 CONNECTION DIAGRAM
 STANDARD 9 LEAD DELTA-CONNECTED



(N.P. 1575-B)

416820-002

REV. DESC: LOADED TO BUS, C/R 335225		
REV. LTR: -	VERSION: 00	TDR: 000000538207
FILE: \MGA\00000\661	REVISED: 10: 47: 51 04/30/2010	
MTL: -	BY: RAGRA	

BALDOR

CONN DIAG - STANDARD 9 LEAD, DELTA-CONNECTED

SH 1 of 1

Marketing maintained PDF of MN408:

<http://www.baldor.com/support/Literature/Load.ashx/MN408?ManNumber=MN408>

Marketing maintained PDF of MN416:

<http://www.baldor.com/support/Literature/Load.ashx/MN416?ManNumber=MN416>