

BALDOR® • ***RELIANCE***

Product Information Packet

EM7020T

1.5HP, 1170RPM, 3PH, 60HZ, 182T, 3632M, XPFC, F

Part Detail							
Revision:	E	Status:	PRD/A	Change #:		Proprietary:	No
Type:	AC	Prod. Type:	3632M	Elec. Spec:	36WGS916	CD Diagram:	CD0005
Enclosure:	XPFC	Mfg Plant:		Mech. Spec:	36N004	Layout:	36LYN004
Frame:	182T	Mounting:	F1	Poles:	06	Created Date:	05-14-2012
Base:	RG	Rotation:	R	Insulation:	B	Eff. Date:	08-06-2015
Leads:	9#16					Replaced By:	
Literature:		Elec. Diagram:					

Nameplate NP1426XPSLEV	
NO.	[] CC 010A
SER.	[]
SPEC.	36N004S916G1
CAT.NO.	EM7020T
HP	1.5//1 T. CODE T3C
VOLTS	230/460//190/380
AMPS	4.8/2.4//4.2/2.1
RPM	1165//970
HZ	60//50 PH 3 CL B
SER.F.	1.00 DES B CODE K
RATING	40C AMB-CONT
FRAME	182T NEMA-NOM-EFF 87.5
USABLE AT 208V	PF 67
BLANK	[]

Parts List		
Part Number	Description	Quantity
SA245059	SA 36N004S916G1	1.000 EA
RA231946	RA 36N004S916G1	1.000 EA
36FN3000C01	EXFN, PLASTIC, 5.25 OD, .912 ID	1.000 EA
35CB3001A02SP	EXPL PROOF CONDUIT BOX, 3/4"PIPE TAP LEA	1.000 EA
11XW1032G06	10-32 X .38, TAPTITE II, HEX WSHR SLTD U	1.000 EA
HW3001B01	BRASS CUP WASHER, FOR #8 SCREW	1.000 EA
36EP3700A01	FR ENDPLATE, MACH	1.000 EA
HW4500A19	1/4-28X1/4 SLOTTED PLUG F/S	2.000 EA
HW5100A05	WVY WSHR F/205 & 304 BRGS	1.000 EA
36EP3701A01	PU ENDPLATE, MACH	1.000 EA
HW4500A19	1/4-28X1/4 SLOTTED PLUG F/S	2.000 EA
XY3816A12	3/8-16 FINISHED NUT	4.000 EA
51XB1214A16	12-14X1.00 HXWSSLD SERTYB	1.000 EA
36FH4009A02	FAN COVER FOR VM7042T,PRIMER	1.000 EA
51XW1032A06	10-32 X .38, TAPTITE II, HEX WSHR SLTD S	3.000 EA
35CB3500A01SP	CONDUIT BOX LID, MACH	1.000 EA
51XN2520A16	SCREW, HEX WS SLT, ZN, 1/4-20 X 1.00	4.000 EA
HW2501E16	3KEY, 1/4 SQ X 1.750	1.000 EA
HA7000A02	KEY RETAINER RING, 1 1/8 DIA, 1 3/8 DIA	1.000 EA
85XU0407S04	4X1/4 U DRIVE PIN STAINLESS	6.000 EA
NP0018F	ALUM UL XP CONDUIT BOX NAMEPLATE	1.000 EA
MJ1000A02	GREASE, POLYREX EM EXXON (USe 4824-15A)	0.050 LB
MG1025G29	WILKOFASST, 789.229, DARK CHARCOAL GRAY	0.022 GA
HA3105A06	THRUBOLT- 3/8-16 X 10.500 X	4.000 EA

Parts List (continued)		
Part Number	Description	Quantity
LB1119N	WARNING LABEL	1.000 EA
LC0145B01	CONNECTION LABEL	1.000 EA
NP1426XPSLEV	SS XP UL CSA-EEV CC CL-I GP-D	1.000 EA
36PA1001	PKG GRP, PRINT PK1017A06	1.000 EA
MN416A01	TAG-INSTAL-MAINT no wire (1000/bx) 11/14	1.000 EA

AC Induction Motor Performance Data

Record # 38404 - Typical performance - not guaranteed values

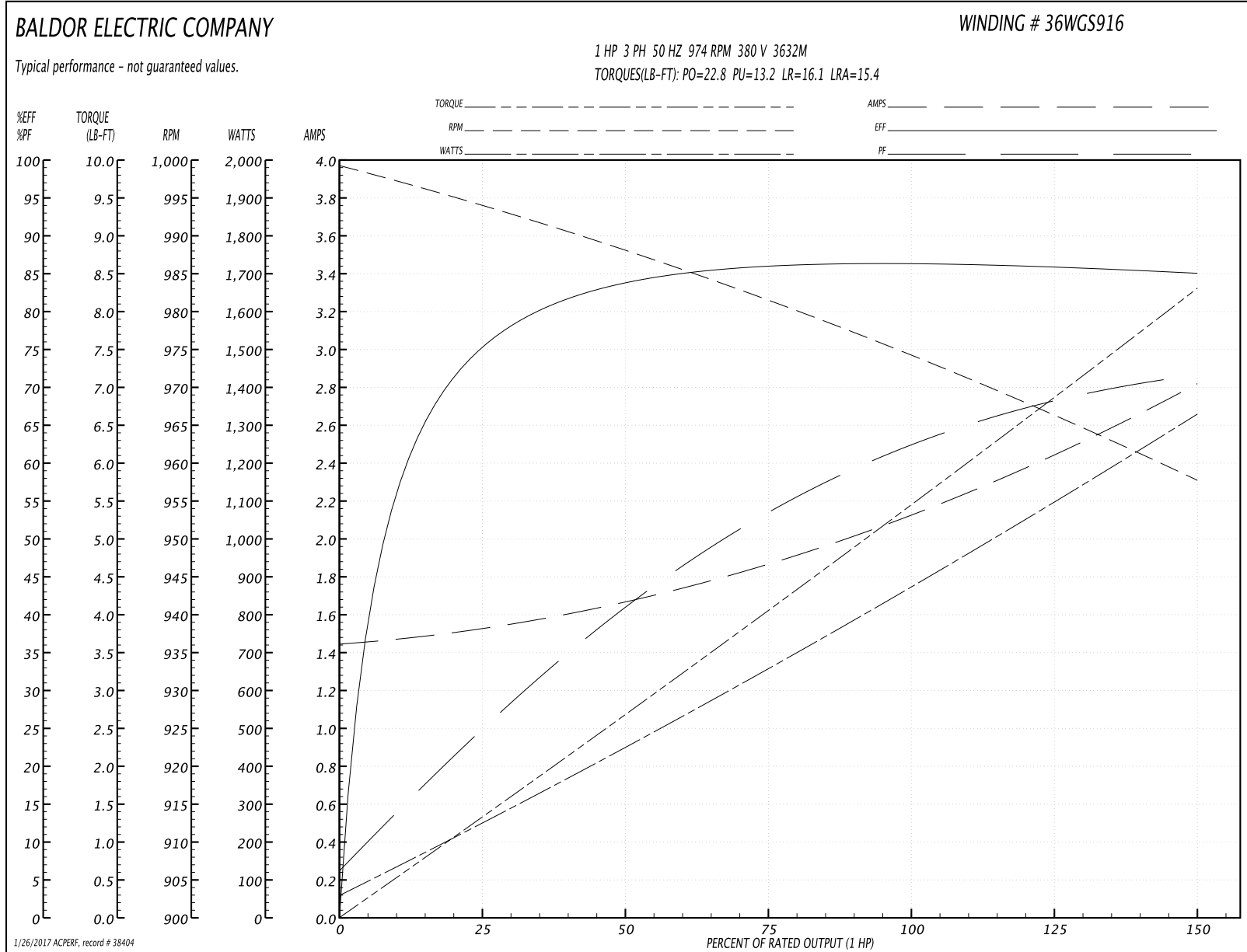
Winding: 36WGS916-R001	Type: 3632M	Enclosure: XPFC
-------------------------------	--------------------	------------------------

Nameplate Data				380 V, 50 Hz: High Voltage Connection	
Rated Output (HP)	1.5//1			Full Load Torque	5.48 LB-FT
Volts	230/460//190/380			Start Configuration	direct on line
Full Load Amps	4.8/2.4//4.2/2.1			Breakdown Torque	22.8 LB-FT
R.P.M.	1165//970			Pull-up Torque	13.2 LB-FT
Hz	60//50	Phase	3	Locked-rotor Torque	16.1 LB-FT
NEMA Design Code	B	KVA Code	K	Starting Current	15.4 A
Service Factor (S.F.)	1			No-load Current	1.45 A
NEMA Nom. Eff.	87.5	Power Factor	67	Line-line Res. @ 25°C	7.12 Ω
Rating - Duty	40C AMB-CONT			Temp. Rise @ Rated Load	27°C

Load Characteristics 380 V, 50 Hz, 1 HP

% of Rated Load	25	50	75	100	125	150
Power Factor	26	42	54	63	68	72
Efficiency	75.7	83.8	86.2	86.5	85.9	85.1
Speed	994	988	981	974	966	958
Line amperes	1.53	1.67	1.88	2.13	2.46	2.81

Performance Graph at 380V, 50Hz, 1.0HP Typical performance - Not guaranteed values



AC Induction Motor Performance Data

Record # 49237 - Typical performance - not guaranteed values

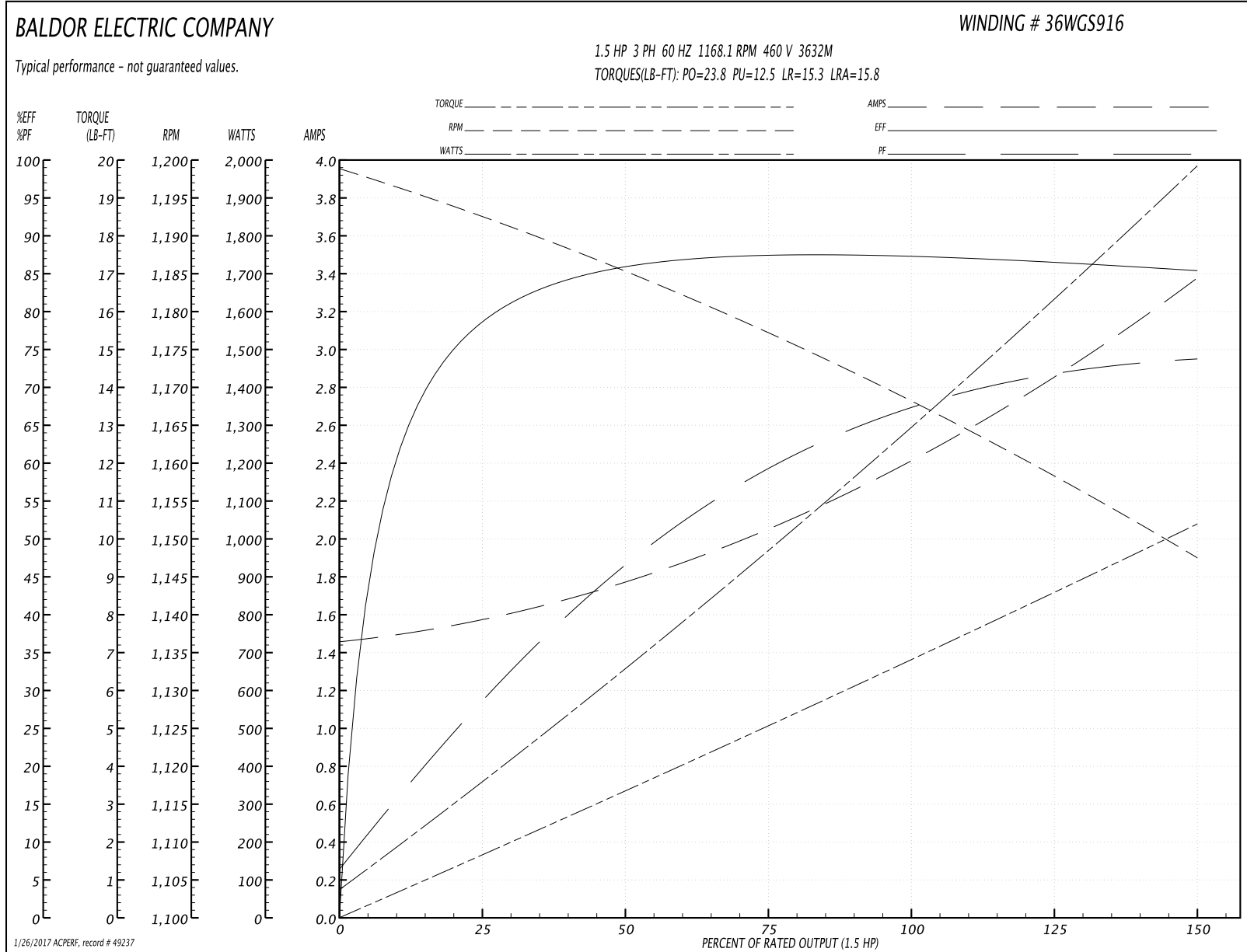
Winding: 36WGS916-R001	Type: 3632M	Enclosure: XPFC
-------------------------------	--------------------	------------------------

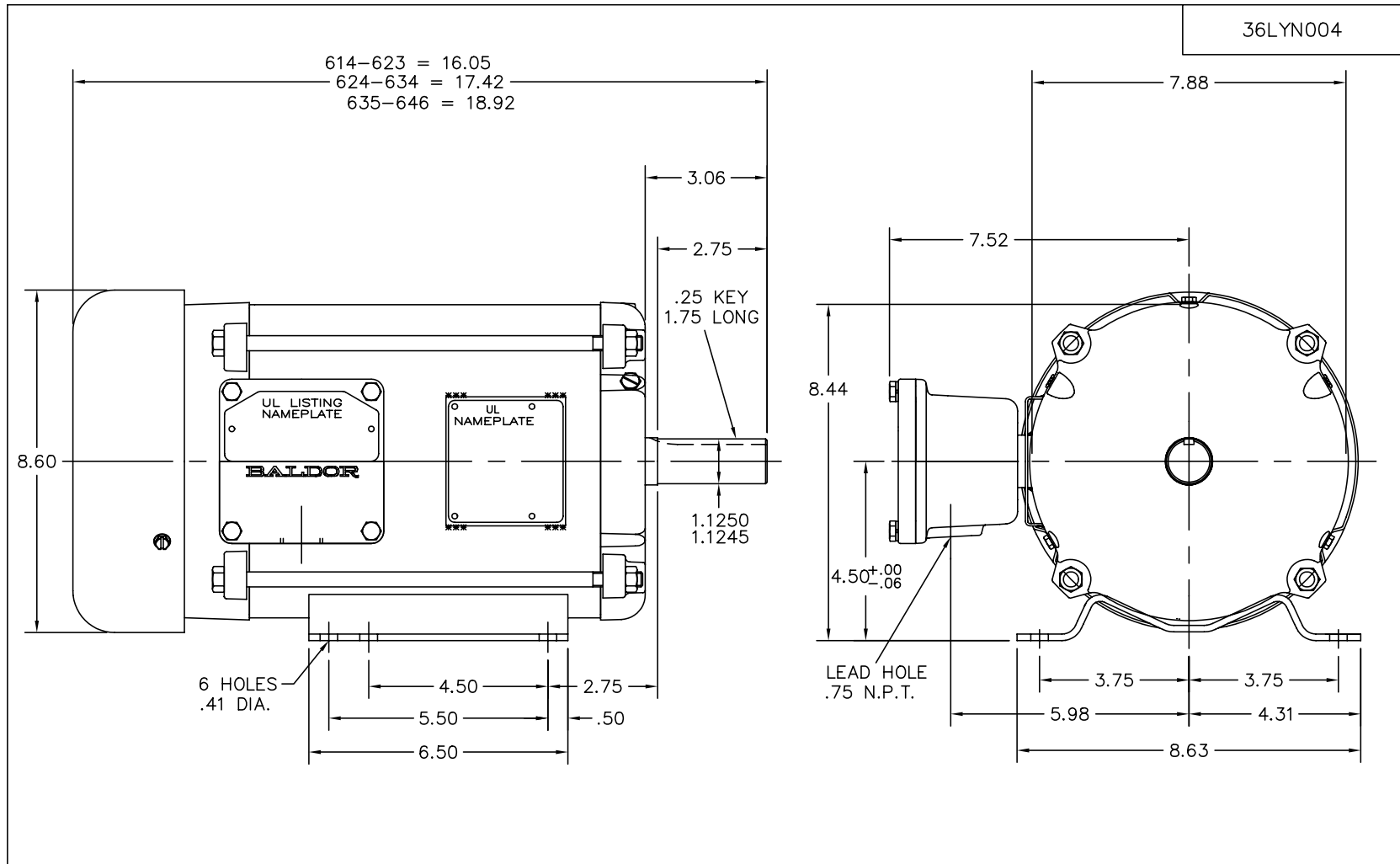
Nameplate Data				460 V, 60 Hz: High Voltage Connection	
Rated Output (HP)	1.5//1			Full Load Torque	6.864 LB-FT
Volts	230/460//190/380			Start Configuration	direct on line
Full Load Amps	4.8/2.4//4.2/2.1			Breakdown Torque	23.8 LB-FT
R.P.M.	1165//970			Pull-up Torque	12.5 LB-FT
Hz	60//50	Phase	3	Locked-rotor Torque	15.3 LB-FT
NEMA Design Code	B	KVA Code	K	Starting Current	15.8 A
Service Factor (S.F.)	1			No-load Current	1.47 A
NEMA Nom. Eff.	87.5	Power Factor	67	Line-line Res. @ 25°C	7.3716 Ω
Rating - Duty	40C AMB-CONT			Temp. Rise @ Rated Load	34°C

Load Characteristics 460 V, 60 Hz, 1.5 HP

% of Rated Load	25	50	75	100	125	150
Power Factor	30	48	59	67	71	74
Efficiency	79.1	86	87.5	87.5	86.5	85.2
Speed	1192.2	1184.8	1176.8	1168.1	1158.2	1147.5
Line amperes	1.57	1.77	2.07	2.43	2.88	3.36

Performance Graph at 460V, 60Hz, 1.5HP Typical performance - Not guaranteed values





UL CLASS I - GROUP D - CLASS II - GROUPS F & G

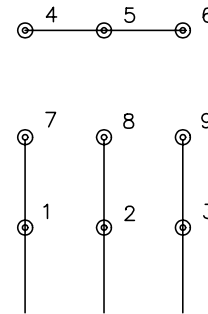
CUST. NAME		CUST. P.O.		CERTIFIED BY		MODEL		INSUL		AMB			
H.P.		MTG		TYPE		R.P.M.		VOLTS		ENCL			
PHASE		FREQ		FRAME		BALDOR ELECTRIC Co.							
REV. LTR: F		BY: JED		REVISED: 06/05/99 10:52								TDR: 0183314	
FILE: AAA00004620		MDL: -											
Mtl: -						HORZ 182-4T TEFC X36M CL I-GP D-CL II-GP F&G							

36LYN004

CD0005

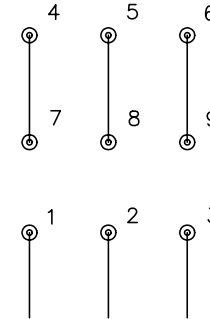


LOW VOLTAGE
(2Y)



LINE

HIGH VOLTAGE
(1Y)



LINE

NOTES:

1. INTERCHANGE ANY TWO LINE LEADS TO REVERSE ROTATION.
2. OPTIONAL THERMOSTATS ARE PROVIDED WHEN SPECIFIED.
3. ACTUAL NUMBER OF INTERNAL PARALLEL CIRCUITS MAY BE A MULTIPLE OF THOSE SHOWN ABOVE.
4. LEAD COLORS ARE OPTIONAL. LEADS MUST ALWAYS BE NUMBERED AS SHOWN.

REV. DESC: REVISE TO SHOW OPTIONAL COLORS			
REV. LTR: E	BY: JLP	REVISED: 01/19/99 10:15	TDR: 0171435
9000D		FILE: AAA00005140	MDL: -
		MTL: -	

BALDOR ELECTRIC Co.

3PH, DV, 9 LEADS

CD0005