

BALDOR® • *RELIANCE*

Product Information Packet

EM7053T-I

15//10HP,3530//2940RPM,3PH,60//50HZ,254T

Part Detail							
Revision:	S	Status:	PRD/A	Change #:		Proprietary:	No
Type:	AC	Prod. Type:	0934M	Elec. Spec:	09WGZ864	CD Diagram:	CD0180
Enclosure:	XPFC	Mfg Plant:		Mech. Spec:	09F369	Layout:	09LYF369
Frame:	254T	Mounting:	F1	Poles:	02	Created Date:	06-02-2012
Base:	RG	Rotation:	R	Insulation:	F	Eff. Date:	01-13-2017
Leads:	9#12					Replaced By:	
Literature:		Elec. Diagram:					

Nameplate NP0977XPSLEV			
NO.		CC	010A
SER.		TEMP CODE	T3C
SPEC.	09F369Z864G1		
CAT.NO.	EM7053T-I		
HP	15//10 NEMA MG-1 PT.5,IP55		
VOLTS	230/460//190/380		
AMPS	34.4/17.2//29/14.5		
RPM	3530//2940	MOTOR WEIGHT	349
HERTZ	60//50	PH	3
SER.F.	1.15	DES	A
FRAME	254T	CL	F
RATING	40C AMB-CONT	DE BRG	6309
USABLE AT 208V	37	CODE	H
	55C AMB @ 1.0 SF,60C RISE	ODE BRG	6208
		GREASE	POLYREX EM
		NEMA-NOM-EFF	91
		PF	88

Parts List		
Part Number	Description	Quantity
SA245995	SA 09F369Z864G1	1.000 EA
RA232882	RA 09F369Z864G1	1.000 EA
37FN3002C02	EXFN, PLASTIC, 6.00 OD, 1.500 ID	1.000 EA
MJ5000A01	SEALANT, CHICO A COMPOUND	0.050 LB
09CB1003A01	CONDUIT BOX MACH. GROUP C MTRS	1.000 EA
10XN3118K24	5/16-18 X 1.50" HEX HD, GRADE 5	4.000 EA
HW1001A31	LOCKWASHER 5/16, ZINC PLT.591 OD, .319 I	4.000 EA
09EP1700A33E	FR ENDPLATE, MACH, XPFC W/E-COAT	1.000 EA
WD1000B25	GND LUG, BURNDY L125HP OR T&B L125HP-BB	1.000 EA
10XN3118K12	5/16-18 X .75 GRADE 5, ZINC PLATED	1.000 EA
HW1001A31	LOCKWASHER 5/16, ZINC PLT.591 OD, .319 I	1.000 EA
HW3023E06	.125 X .625 SPIRAL SPRING PIN	1.000 EA
10XN3816K28	3/8-16 X 1.75 HEX HD CAP SCREW, GRADE 5	4.000 EA
HW1001A38	LOCKWASHER 3/8, ZINC PLT .688 OD, .382 I	4.000 EA
HW5100A08	W3118-035 WVY WSHR (WB)	1.000 EA
10XN2520K36	1/4-20 X 2.25" HX HD SCRWGRADE 5, ZINC P	4.000 EA
HW1001A25	LOCKWASHER 1/4, ZINC PLT .493 OD, .255 I	4.000 EA
09EP1707A16E	PU E.P., MACH. W/E-COAT	1.000 EA
HW3023E06	.125 X .625 SPIRAL SPRING PIN	1.000 EA
10XN3816K28	3/8-16 X 1.75 HEX HD CAP SCREW, GRADE 5	4.000 EA
HW1001A38	LOCKWASHER 3/8, ZINC PLT .688 OD, .382 I	4.000 EA
09FH1004A03	FAN COVER, MACH	1.000 EA
10XN2520K12	1/4-20 X.75 GRD 5	3.000 EA
HW1001A25	LOCKWASHER 1/4, ZINC PLT .493 OD, .255 I	3.000 EA

Parts List (continued)		
Part Number	Description	Quantity
HA2066A01	SLINGER, ALUM (AUTO)	1.000 EA
80XN1032A07	SET SCREW, HEX XOCK, ZN	1.000 EA
09CB1502A01	CONDUIT BOX LID MACH. GROUP C MTRS	1.000 EA
84XN5013J24	1/2-13 X 1-1/2 HEX SOCKET HD CAP SCREW	6.000 EA
HW1001A50	LOCKWASHER 1/2, ZINC PLT.,.879 OD, .509 I	6.000 EA
HW2501G25	KEY, 3/8 SQ X 2.875	1.000 EA
LB1115N	LABEL,LIFTING DEVICE (ON ROLLS)	1.000 EA
LB1081Z	ALUM XP CAUTION LABEL (ZK PLANT ONLY-	1.000 EA
HW4500A20	1/8NPT SL PIPE PLUG	2.000 EA
HW4505A02	BREATHER/DRAIN-EXP PROOF-.250-18 PTF AIS	1.000 EA
MJ1000A02	GREASE, POLYREX EM EXXON (USe 4824-15A)	0.080 LB
HW4500A20	1/8NPT SL PIPE PLUG	2.000 EA
HW4505A02	BREATHER/DRAIN-EXP PROOF-.250-18 PTF AIS	1.000 EA
HW2500A25	WOODRUFF KEY USA #1008 #BLOW CARBON STEE	1.000 EA
51XB1214A20	12-14X1.25 HXWSSLD SERTYB	1.000 EA
MG1025G05	WILKOFASST, 789.227, MED. GRAY CHAR. MET.	0.050 GA
85XU0407S04	4X1/4 U DRIVE PIN STAINLESS	6.000 EA
MN416A01	TAG-INSTAL-MAINT no wire (1000/bx) 11/14	1.000 EA
LB1119N	WARNING LABEL	1.000 EA
LC0181	CONNECTION LABEL	1.000 EA
NP0977XPSLEV	SS XP UL CSA-EEV CC CL-I GP-C&D	1.000 EA
40PA1005	PACKAGING GROUP, 09 STD	1.000 EA

AC Induction Motor Performance Data

Record # 38686 - Typical performance - not guaranteed values

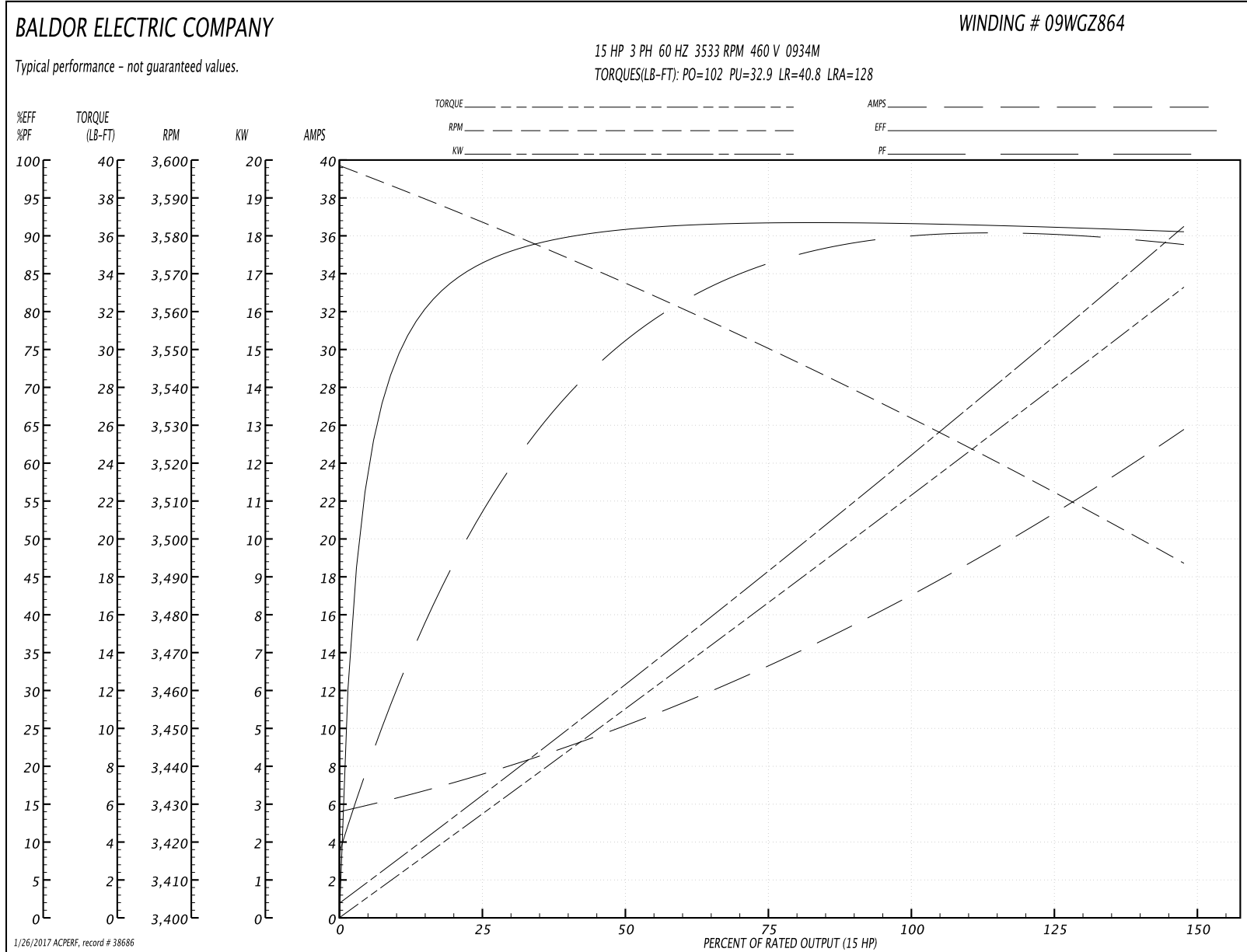
Winding: 09WZ864-R001	Type: 0934M	Enclosure: XPFC
------------------------------	--------------------	------------------------

Nameplate Data				460 V, 60 Hz: High Voltage Connection	
Rated Output (HP)	15//10			Full Load Torque	22.2 LB-FT
Volts	230/460//190/380			Start Configuration	direct on line
Full Load Amps	34.4/17.2//29/14.5			Breakdown Torque	102 LB-FT
R.P.M.	3530//2940			Pull-up Torque	32.9 LB-FT
Hz	60//50	Phase	3	Locked-rotor Torque	40.8 LB-FT
NEMA Design Code	A	KVA Code	H	Starting Current	128 A
Service Factor (S.F.)	1.15			No-load Current	5.9 A
NEMA Nom. Eff.	91	Power Factor	88	Line-line Res. @ 25°C	0.591 Ω
Rating - Duty	40C AMB-CONT			Temp. Rise @ Rated Load	56°C
S.F. Amps				Temp. Rise @ S.F. Load	70°C
				Locked-rotor Power Factor	29.4
				Rotor inertia	0.868 LB-FT ²

Load Characteristics 460 V, 60 Hz, 15 HP

% of Rated Load	25	50	75	100	125	150	S.F.
Power Factor	57	78	86	89	90	90	90
Efficiency	86.2	90.8	91.7	91.6	91.3	90.5	91.5
Speed	3583	3567	3550	3533	3514	3493	3522
Line amperes	7.2	10	13.4	17.2	21.2	25.6	19.6

Performance Graph at 460V, 60Hz, 15.0HP Typical performance - Not guaranteed values



AC Induction Motor Performance Data

Record # 38687 - Typical performance - not guaranteed values

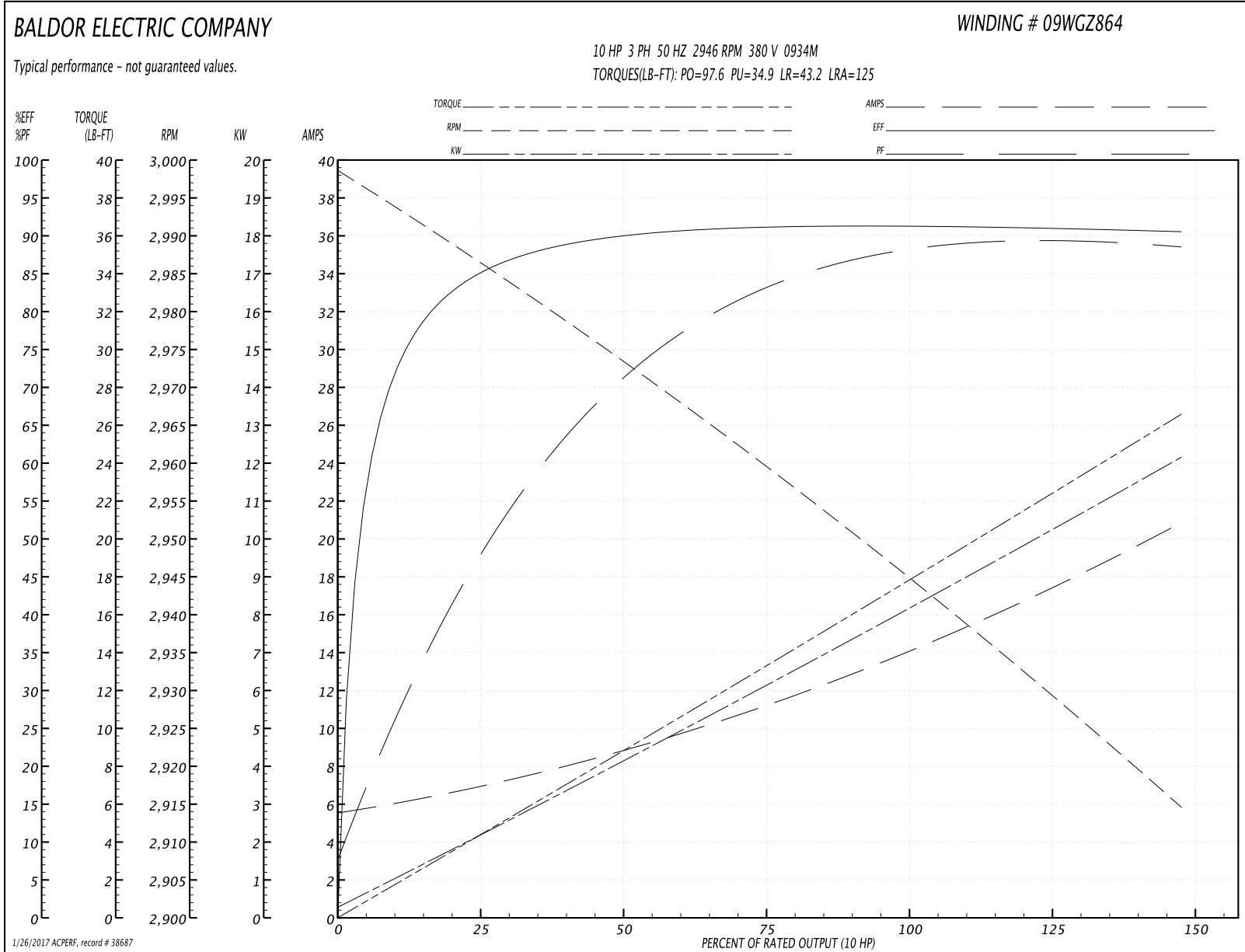
Winding: 09WZ864-R001	Type: 0934M	Enclosure: XPFC
------------------------------	--------------------	------------------------

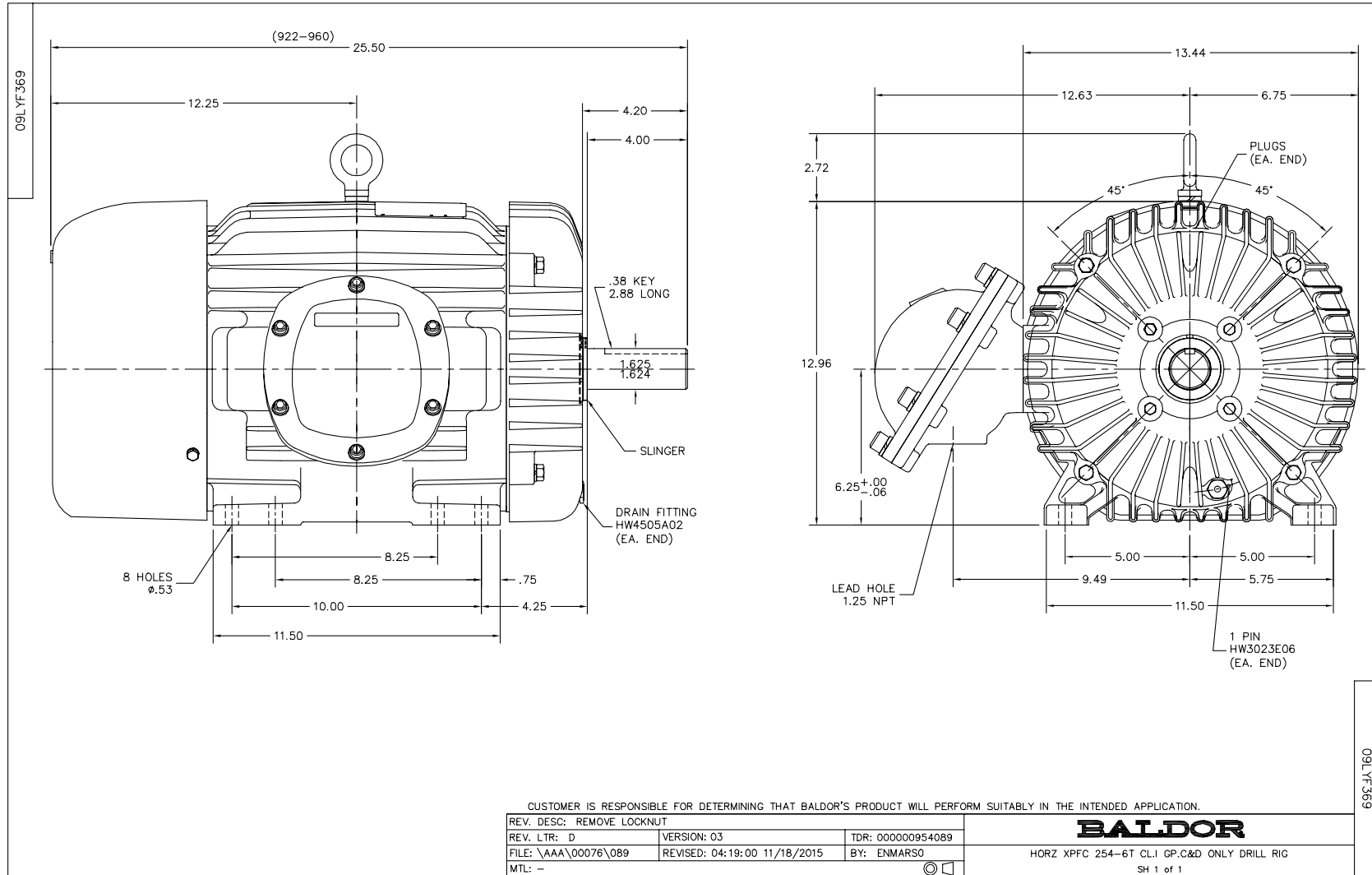
Nameplate Data				380 V, 50 Hz: High Voltage Connection	
Rated Output (HP)	15//10			Full Load Torque	17.7 LB-FT
Volts	230/460//190/380			Start Configuration	direct on line
Full Load Amps	34.4/17.2//29/14.5			Breakdown Torque	97.6 LB-FT
R.P.M.	3530//2940			Pull-up Torque	34.9 LB-FT
Hz	60//50	Phase	3	Locked-rotor Torque	43.2 LB-FT
NEMA Design Code	A	KVA Code	H	Starting Current	125 A
Service Factor (S.F.)	1.15			No-load Current	5.79 A
NEMA Nom. Eff.	91	Power Factor	88	Line-line Res. @ 25°C	0.591 Ω
Rating - Duty	40C AMB-CONT			Temp. Rise @ Rated Load	42°C
S.F. Amps				Temp. Rise @ S.F. Load	51°C
				Locked-rotor Power Factor	33.3
				Rotor inertia	0.868 LB-FT ²

Load Characteristics 380 V, 50 Hz, 10 HP

% of Rated Load	25	50	75	100	125	150	S.F.
Power Factor	51	73	82	87	89	89	88
Efficiency	84.8	90.1	91.3	91.2	91	90.6	91.1
Speed	2986	2973	2959	2946	2931	2914	2937
Line amperes	6.62	8.7	11.3	14.2	17.3	20.7	16.1

Performance Graph at 380V, 50Hz, 10.0HP Typical performance - Not guaranteed values

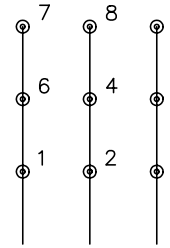




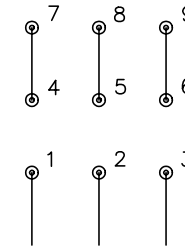
CD0180



LOW VOLTAGE
(2D)



HIGH VOLTAGE
(1D)



NOTES:

1. INTERCHANGE ANY TWO LINE LEADS TO REVERSE ROTATION.
2. OPTIONAL THERMOSTATS ARE PROVIDED WHEN SPECIFIED.
3. ACTUAL NUMBER OF INTERNAL PARALLEL CIRCUITS MAY BE A MULTIPLE OF THOSE SHOWN ABOVE.
4. LEAD COLORS ARE OPTIONAL. LEADS MUST ALWAYS BE NUMBERED AS SHOWN.

REV. DESC: REVISE TO SHOW OPTIONAL COLORS			
REV. LTR: C	BY: JLP	REVISED: 01/21/99 2:28	TDR: 0171435
0810D0		FILE: AAA00005148	MDL: -
		MTL: -	

BALDOR ELECTRIC Co.

3PH, DV, 9 LEADS, DELTA CONNECTION

CD0180