

# **BALDOR**® • **RELIANCE**

## **Product Information Packet**

### **EM7536T-I**

**3HP,MOTOR-RPMRPM,3PH,60HZ,213T,0735M,XPF**

Part Detail							
Revision:	Q	Status:	PRD/A	Change #:		Proprietary:	No
Type:	AC	Prod. Type:	0736M	Elec. Spec:	07WGX970	CD Diagram:	CD0005
Enclosure:	XPFC	Mfg Plant:		Mech. Spec:	07K098	Layout:	07LYK098
Frame:	213T	Mounting:	F1	Poles:	06	Created Date:	08-17-2010
Base:	RG	Rotation:	R	Insulation:	F	Eff. Date:	01-10-2017
Leads:	9#14					Replaced By:	
Literature:		Elec. Diagram:					

Nameplate NP1044XPSLEV										
NO.						CC	010A			
SER.							TEMP CODE	T3C		
SPEC.	07K098X970G1									
CAT.NO.	EM7536T-I									
HP	3									
VOLTS	230/460									
AMPS	9/4.5									
RPM	1165 75C RISE					MOTOR WEIGHT	225			
HERTZ	60	PH	3	CL	F	DE BRG	6307			
SER.F.	1.15	DES	B	CODE	K	ODE BRG	6206			
FRAME	213T		GREASE	POLYREX EM						
RATING	40C AMB-CONT									
USABLE AT 208V						NEMA-NOM-EFF	89.5		PF	71
	55C AMB AT 1.0 SF									

Parts List		
Part Number	Description	Quantity
SA201687	SA 07K098X970G1	1.000 EA
RA188983	RA 07K098X970G1	1.000 EA
37FN3002C01	EXFN, PLASTIC, 6.00 OD, 1.155 ID	1.000 EA
HA3210E08	.250X 7/8 PIN 312-57	1.000 EA
HW3201A05	3/8-16 EYEBOLT	1.000 EA
07CB1000A01G	CONDUIT BOX MACH, W/EPOXY GRAY	1.000 EA
10XN3118A16	5/16-18X1 HEX HD CAP	4.000 EA
HW1001A31	LOCKWASHER 5/16, ZINC PLT.591 OD, .319 I	4.000 EA
11XW1032G06	10-32 X .38, TAPTITE II, HEX WSHR SLTD U	1.000 EA
WD1000B17	T&B CX35TN TERMINAL	1.000 EA
07EP1707A08G	FREP X-PROOF GP-E (GREY)	1.000 EA
HA2009A25	SLINGER, FOR GROUP E MOTORS - 206 BRG.	1.000 EA
80XN0632A10	SET SCREW,#6-32 X .62 LG.HEX SOC. HD.	2.000 EA
HW4500A19	1/4-28X1/4 SLOTTED PLUG F/S	2.000 EA
HW4506A02	BREATHER/DRAIN-EXP PROOF-.125-27 NPTF AI	1.000 EA
HW3022E05	.125 DIA X .500 ROLLED SPRING PIN	1.000 EA
10XN3816K28	3/8-16 X 1.75 HEX HD CAP SCREW, GRADE 5	4.000 EA
HW1001A38	LOCKWASHER 3/8, ZINC PLT .688 OD, .382 I	4.000 EA
HW5100A06	W2420-025 WVY WSHR (WB)	1.000 EA
10XN2520A36	1/4-20X 2 1/4 HEX HD X	4.000 EA
HW1001A25	LOCKWASHER 1/4, ZINC PLT .493 OD, .255 I	4.000 EA
07EP1709A09G	PUEP X-PROOF W/LOK'D BRG. GP-E (GREY)	1.000 EA
HA2009A56	SLINGER, FOR GROUP E MOTORS - 307 BRG.	1.000 EA
80XN0632A10	SET SCREW,#6-32 X .62 LG.HEX SOC. HD.	2.000 EA

<b>Parts List (continued)</b>		
<b>Part Number</b>	<b>Description</b>	<b>Quantity</b>
HW4500A19	1/4-28X1/4 SLOTTED PLUG F/S	2.000 EA
HW4506A02	BREATHER/DRAIN-EXP PROOF-.125-27 NPTF AI	1.000 EA
HW3022E05	.125 DIA X .500 ROLLED SPRING PIN	1.000 EA
10XN3816K28	3/8-16 X 1.75 HEX HD CAP SCREW, GRADE 5	4.000 EA
HW1001A38	LOCKWASHER 3/8, ZINC PLT .688 OD, .382 I	4.000 EA
07FH1003A01G	STD 307 EXPLOSION PROOF FAN HOUSING W/GR	1.000 EA
10XN2520A12	O1/4-20X 3/4 HEX HEAD CAP	4.000 EA
07CB1502A01G	CONDUIT BOX LID MACH (DUCTILE IRON) GRAY	1.000 EA
10XN2520K16	1/4-20 X 1" HX HD SCRW GRADE 5, ZINC P	4.000 EA
HW1001A25	LOCKWASHER 1/4, ZINC PLT .493 OD, .255 I	4.000 EA
HW2501F21	KEY, 5/16 SQ X 2.375	1.000 EA
HA7000A02	KEY RETAINER RING, 1 1/8 DIA, 1 3/8 DIA	1.000 EA
85XU0407S04	4X1/4 U DRIVE PIN STAINLESS	6.000 EA
LB1081F	ALUM XP CAUTION LABEL (FS PLANT ONLY-	1.000 EA
LB1115N	LABEL,LIFTING DEVICE (ON ROLLS)	1.000 EA
LB9002A50	CMC-5000 BRADY WIRE MARK	1.000 EA
MJ1000A02	GREASE, POLYREX EM EXXON (USe 4824-15A)	0.050 LB
51XB1214A20	12-14X1.25 HXWSSLD SERTYB	1.000 EA
MG1025G29	WILKOFASST, 789.229, DARK CHARCOAL GRAY	0.036 GA
LB1119N	WARNING LABEL	1.000 EA
LC0145B01	CONNECTION LABEL	1.000 EA
NP1044XPSLEV	SS XP UL CSA-EEV CC CL-I GP-D	1.000 EA
07PA1011	PKG GRP, 07 CAST IRON PK1181	1.000 EA
10XL3808A28	3/8 X 1 3/4" LAG SCREW	2.000 EA

MN416A01	TAG-INSTAL-MAINT no wire (1000/bx) 11/14	1.000 EA
----------	--	----------

**AC Induction Motor Performance Data**

Record # 36503 - Typical performance - not guaranteed values

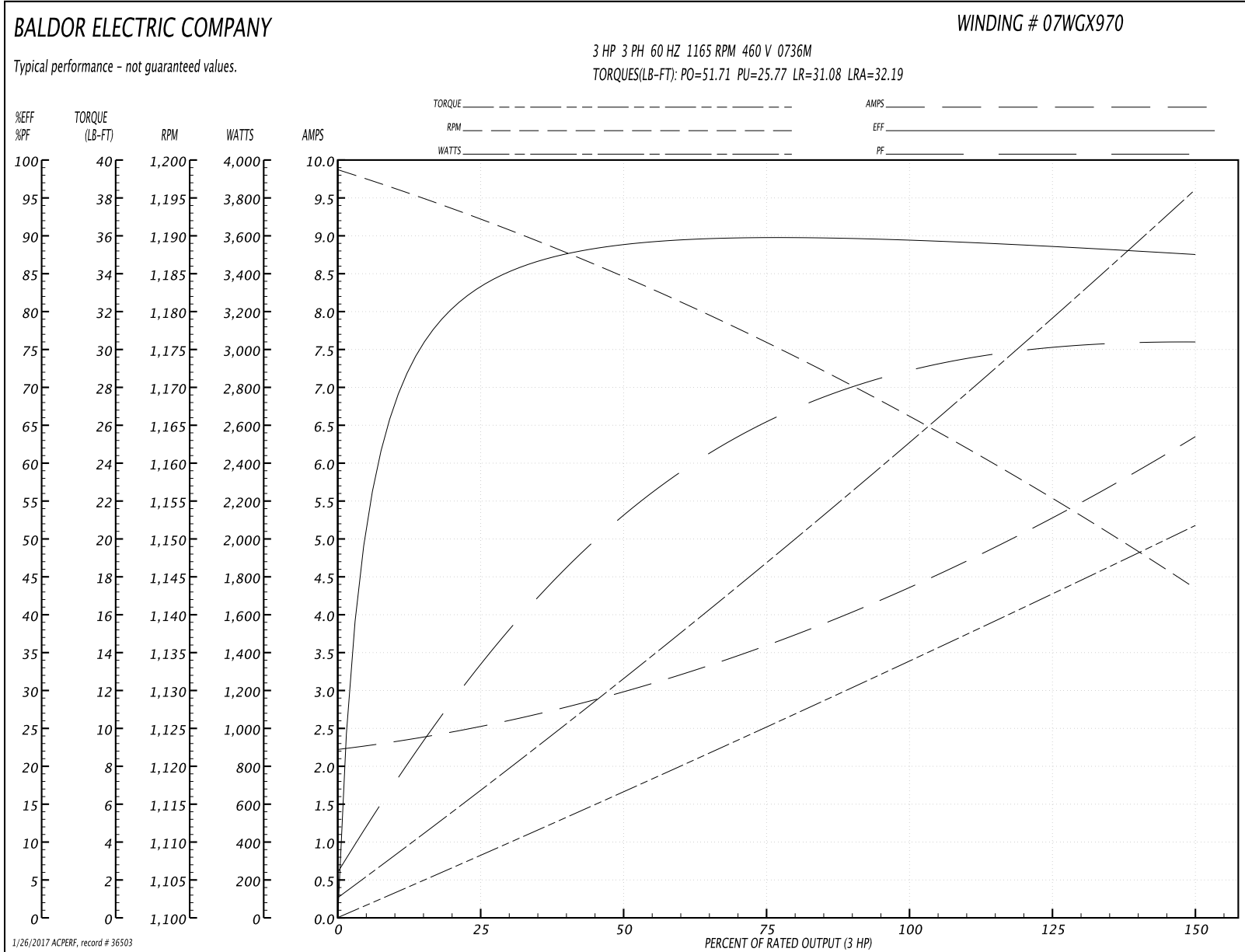
<b>Winding:</b> 07WGX970-R005	<b>Type:</b> 0736M	<b>Enclosure:</b> XPFC
-------------------------------	--------------------	------------------------

Nameplate Data				460 V, 60 Hz: High Voltage Connection	
Rated Output (HP)	3			Full Load Torque	13.61 LB-FT
Volts	230/460			Start Configuration	direct on line
Full Load Amps	9/4.5			Breakdown Torque	51.71 LB-FT
R.P.M.	1165			Pull-up Torque	25.77 LB-FT
Hz	60	Phase	3	Locked-rotor Torque	31.08 LB-FT
NEMA Design Code	B	KVA Code	K	Starting Current	32.19 A
Service Factor (S.F.)	1.15			No-load Current	2.26 A
NEMA Nom. Eff.	89.5	Power Factor	71	Line-line Res. @ 25°C	3 Ω
Rating - Duty	40C AMB-CONT			Temp. Rise @ Rated Load	34°C
S.F. Amps				Temp. Rise @ S.F. Load	41°C
				Locked-rotor Power Factor	23.3
				Rotor inertia	0.895 LB-FT <sup>2</sup>

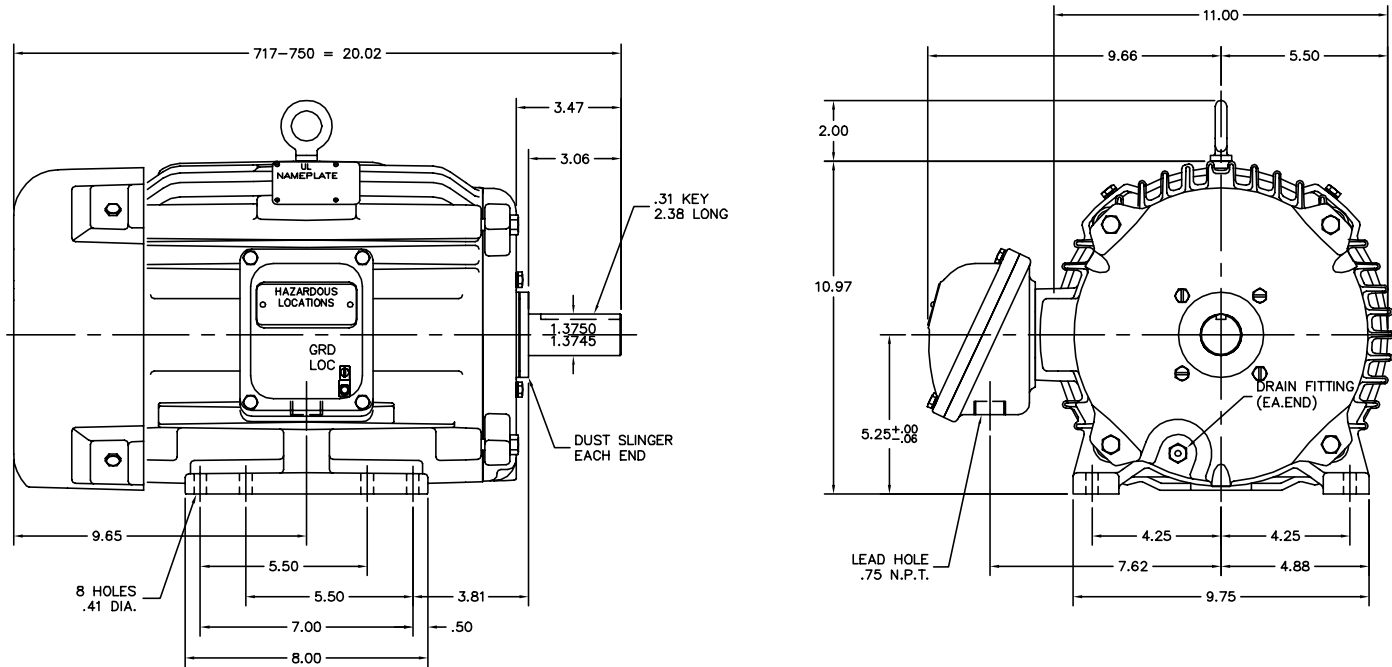
Load Characteristics 460 V, 60 Hz, 3 HP

% of Rated Load	25	50	75	100	125	150	S.F.
Power Factor	35	54	65	72	75	76	73
Efficiency	82.8	88.3	89.7	89.6	89	87.3	89.2
Speed	1192	1184	1176	1166	1156	1143	1161
Line amperes	2.48	2.96	3.62	4.41	5.29	6.33	4.99

Performance Graph at 460V, 60Hz, 3.0HP Typical performance - Not guaranteed values



07LYK098



CUSTOMER IS RESPONSIBLE FOR DETERMINING THAT MOTOR PERFORMANCE IS SUITABLE IN THE APPLICATION.

REV. DESC:	NEW
REV. LTR:	- BY: EAO REVISED: 15:45:40 05/14/2004 TDR: 332194
FILE:	AAA00116747 REF: 07LYK098
MTL:	-

**BALDOR ELECTRIC Co.**

HOR 213-5T XPFC M CL-I GP-D,CL-II GP-E,F&G, CP FEATURES

07LYK098

CD0005



LOW VOLTAGE  
(2Y)



LINE

HIGH VOLTAGE  
(1Y)



LINE

NOTES:

1. INTERCHANGE ANY TWO LINE LEADS TO REVERSE ROTATION.
2. OPTIONAL THERMOSTATS ARE PROVIDED WHEN SPECIFIED.
3. ACTUAL NUMBER OF INTERNAL PARALLEL CIRCUITS MAY BE A MULTIPLE OF THOSE SHOWN ABOVE.
4. LEAD COLORS ARE OPTIONAL. LEADS MUST ALWAYS BE NUMBERED AS SHOWN.

REV. DESC: REVISE TO SHOW OPTIONAL COLORS			
REV. LTR: E	BY: JLP	REVISED: 01/19/99 10:15	TDR: 0171435
90000		FILE: AAA00005140	MDL: -
		MTL: -	

**BALDOR ELECTRIC Co.**

3PH, DV, 9 LEADS

CD0005